

The ECS-75SMF Miniature SMD Monolithic Crystal Filter offers a narrow bandwidth and a 4 pole response in a 5 x 7 package.

Request a Sample

ECS-75SMF Series



- 5 x 7 Footprint
- 4 Pole Filter
- Tape and Reel Packaging

OPERATING CONDITIONS / ELECTRICAL CHARACTERISTICS

Part Number *	Center Frequency F_o	Passband Min.		Stopband Max.		Attenuation Guaranteed Min.		Ripple Max.	Loss Max.	Terminating Impedance	Operating Temperature	No. of Poles
	MHz	dB	KHz	dB	KHz	dB	KHz	dB	dB	Ω /pF	$^{\circ}\text{C}$	
ECS-75SMF45A7.5B	45.000	3	± 3.75	30	± 12.5	80	-910	1.0	4.0	350//6.5	-30 ~ +80	4
ECS-75SMF45A20B	45.000	3	± 10.0	25	± 25.0	80	-910	1.0	3.0	500//2.5	-30 ~ +80	4
ECS-75SMF45A30B	45.000	3	± 15.0	30	± 50.0	80	-910	1.0	3.0	1000//1.0	-30 ~ +80	4
ECS-75SMF70.05A20B	70.050 *	3	± 10.0	20	± 25.0	70	-910	1.0	4.0	2500//1.0	-30 ~ +80	4

* Indicates 3rd Overtone

Package Dimensions (mm)

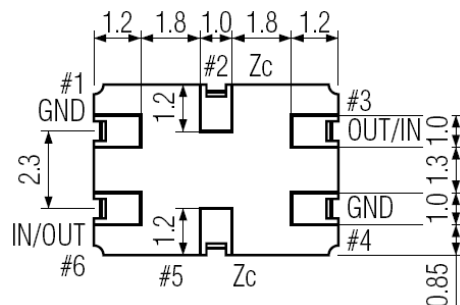
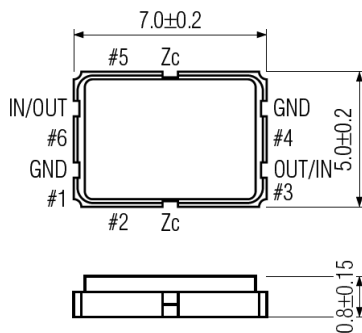


Figure 1) Top, Side and Bottom views

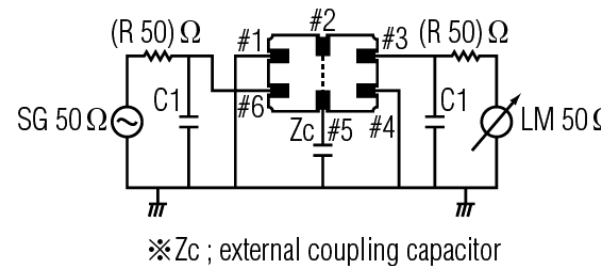


Figure 2) Test Circuit

Pin Connections	
#1	Ground
#2	Zc
#3	Out/In
#4	Ground
#5	Zc
#6	In/Out

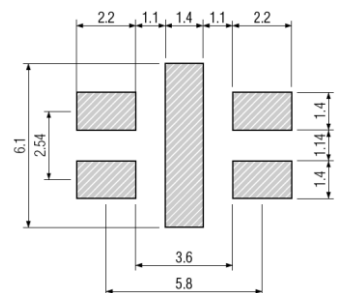


Figure 3) Land Pattern