

# ECSTA1V1308

## Automotive grade SMT current sense transformer



### Product features

- AEC-Q200 qualified
- EE8.3 SMT package (13 mm x 11 mm x 7.8 mm)
- Very low DC resistance
- Wide selection of turns ratios
- Sensed current – primary rated for 15 A
- Frequency range: 50 kHz to 1 MHz
- Moisture sensitivity level (MSL): 1

### Applications

- Motor drive
- On-board chargers
- DC/DC converters
- Wireless chargers
- Battery management systems (BMS)
- EV charging
- Feedback control
- Overload sensing

### Environmental compliance and general specifications

- Storage temperature (component): -40 °C to +125 °C
- Operating temperature range: -40 °C to +125 °C (ambient plus self-temperature rise)
- Solder reflow temperature: J-STD-020 (latest revision) compliant



**Product specifications**

Part number <sup>3</sup>	Turns ratio sec :pri	Secondary inductance (mH) @ 100 kHz 0.1 V minimum	DCR sec (Ω) maximum	DCR pri (mΩ) reference	Hi-pot pri to sec @ 3 mA 3 seconds 50 Hz	Sensed current <sup>1</sup> (A) maximum
ECSTA1V1308-1020-R	20:1	0.22	0.21	3.9	500 Vac	15
ECSTA1V1308-1030-R	30:1	0.5	0.32	3.9	500 Vac	15
ECSTA1V1308-1040-R	40:1	0.88	0.5	3.9	500 Vac	15
ECSTA1V1308-1050-R	50:1	1.4	0.65	3.9	500 Vac	15
ECSTA1V1308-1060-R	60:1	2	0.81	3.9	500 Vac	15
ECSTA1V1308-1070-R	70:1	2.7	1	3.9	500 Vac	15
ECSTA1V1308-1080-R	80:1	3.5	1.3	3.9	500 Vac	15
ECSTA1V1308-1100-R	100:1	5.6	2	3.9	500 Vac	15
ECSTA1V1308-1125-R	125:1	8.7	5.2	3.9	500 Vac	15
ECSTA1V1308-1150-R	150:1	12.6	6.5	3.9	500 Vac	15
ECSTA1V1308-1200-R	200:1	22	8	3.9	500 Vac	15

1. Primary current of 15 A causes less than 40°C temperature rise @ +25°C ambient. Higher current causes a greater temperature rise

2. Electrical specifications at +25 °C

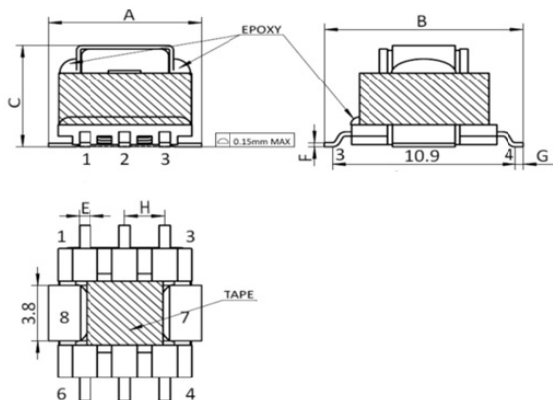
3. Part Number Definition: ECSTA1V1308-1xxx-R

ECSTA1V1308 = Product code and size

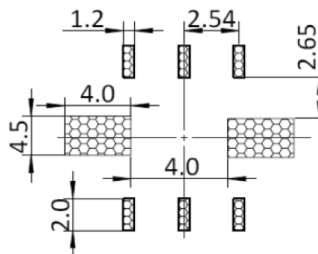
1xxx= Turns ratio sec:pri 1=pri, xxx=sec; 1020= 20:1

-R suffix = RoHS compliant

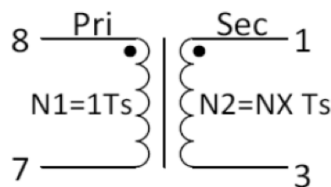
**Mechanical parameters, schematic, pad layout (mm)**



**Recommended PCB Layout**



**Schematic**



Dimension	Value
A	11.00 maximum
B	13.00 maximum
C	7.80 maximum
E	0.7
F	0.25
G	0.8 ±0.2
H	2.5 ±0.3

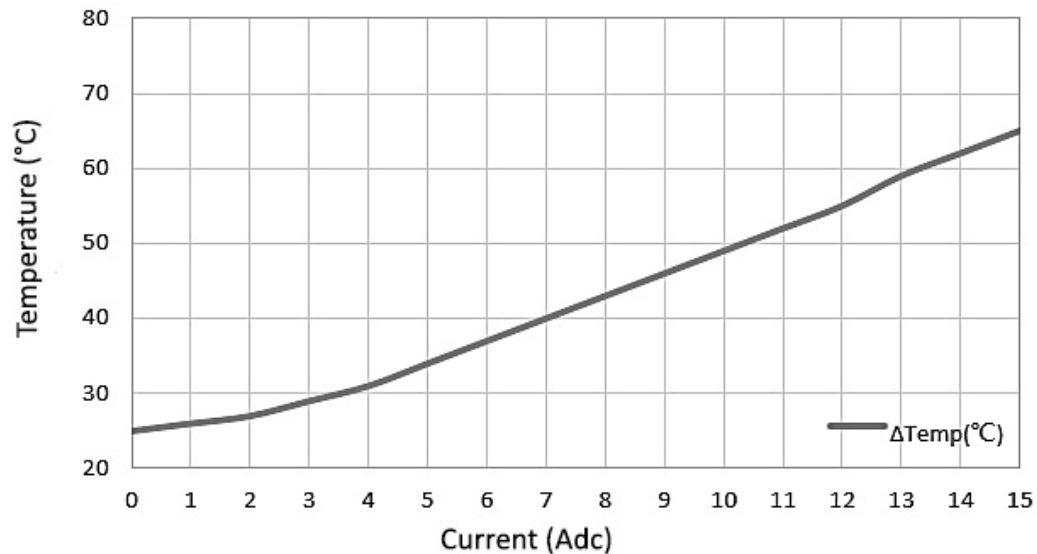
Part marking: White dot, Pin 1 indicator

All soldering surfaces to be coplanar within 0.15 millimeters

Tolerances are ±0.1 millimeters unless stated otherwise

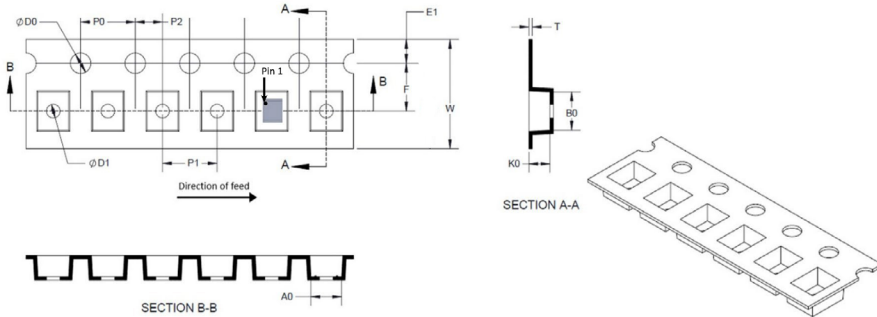
Traces or vias underneath the inductor is not recommended

Temperature rise vs current

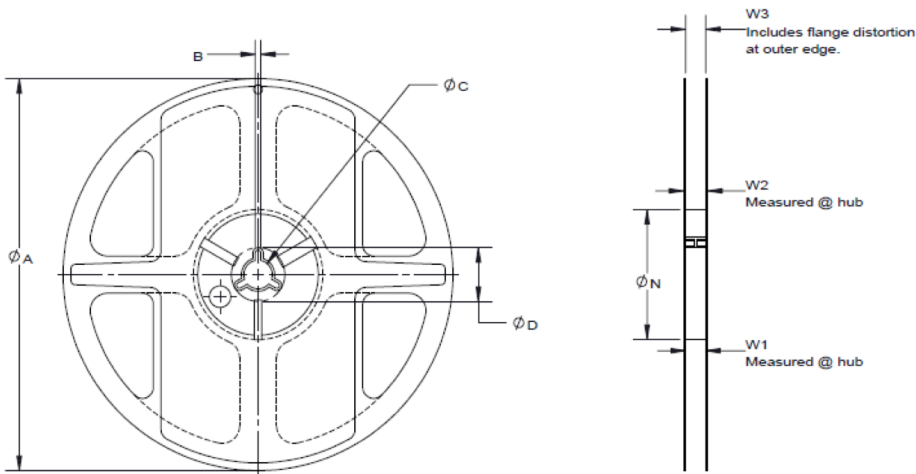


**Packaging information (mm)**

Supplied in tape and reel packaging, 13" diameter reel (EIA-481 compliant)  
350 parts per reel



Dimension	Value
W	24.0 ±0.3
P1	20.0 ±0.1
E1	1.75 ±0.1
F	11.5 ±0.05
P2	2.0 ±0.05
D0	1.5 +0.1/-0
D1	1.5 +0.1/-0
B0	11.7 ±0.1
A0	13.3 ±0.1
K0	8.2 ±0.1
P0	4.0 ±0.1
T	0.40 ±0.05



Dimension	Value
A	330 ±3.0
B	2.6 ±0.3
N	100 ±1.0
C	13+0.5/-0.2
D	21.5 ±0.5
W1	16.4+2.0/-0.0
W2	30.4 max
W3	na