

ECW-281B-D2550

Fanless Embedded System with Intel® Atom™ Dual-core D2550 CPU



Features

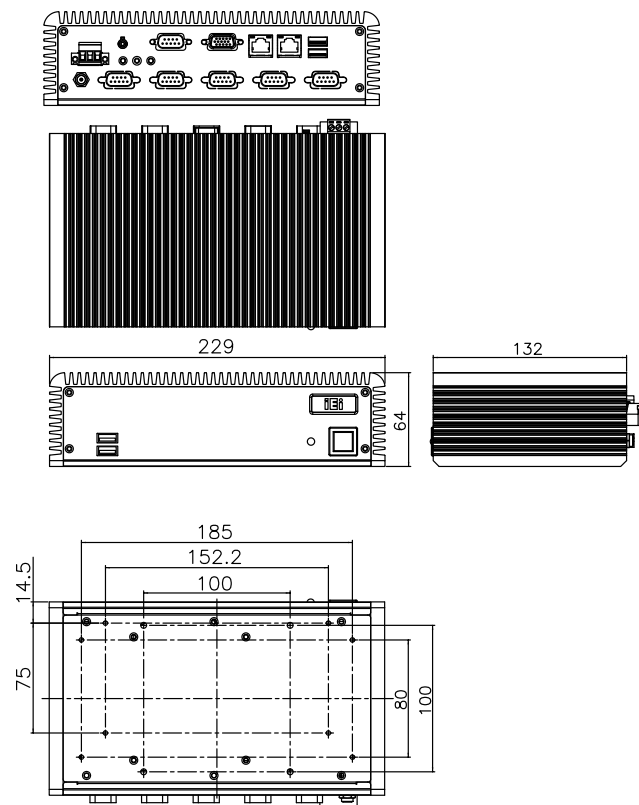
- Fanless system with Intel® Atom™ D2550 dual-core 1.86 GHz CPU
- Supports 4 COM ports (3 x RS-232, 1 x RS-422/485)
- 2 PCIe Mini slots (1 x Full-size, 1 x Half-size)
- 12V DC and 9 V~36 V DC model available
- 2T2R 802.11b/g/n wireless model available



Specifications

Model Name		ECW-281B-D2550
Chassis	Color	Black
	Dimensions (WxDxH) (mm)	229 x 132 x 64
	System Fan	Fanless
	Chassis Construction	Aluminum alloy with heavy duty metal
Motherboard	Motherboard Model	WAFER-CV-D25501
	SBC Size (mm)	3.5", 146 x 102
	CPU	Intel® Atom™ dual-core D2550 1.86GHz
	Chipset	Intel® NM10
System Memory	System Memory	2GB DDR3 204-pin SO-DIMM memory pre-installed
	Hard Drive	1 x 2.5" SATA HDD bay
I/O Interfaces	USB 2.0	4
	Ethernet	2 x Realtek RTL8111E PCIe GbE controller
	COM Port	3 x RS-232 1 x RS-422/485
	Digital I/O	8-bit digital I/O
	Display	1 x VGA
	Resolution	VGA: Up to 1920 x 1200@60Hz
	Audio	1 x Line-out
	Wireless	1 x 802.11b/g/n (optional)
	Expansions	PCIe Mini
Power		Power Input
	Power Consumption	12 V@1.53 A (Intel® Atom™ D2550 CPU with 2 GB DDR3 memory)
Reliability	Mounting	DIN-rail, VESA 100, wall mount
	Operating Temperature	-10°C~50°C with air flow (SSD), 5% ~ 95%, non-condensing
	Operating Shock	Half-sine wave shock 3G, 11ms, 3 shocks per axis
	Operating Vibration	MIL-STD-810F 514.5C-2 (SSD)
	Weight (Net/Gross)	2.1 kg/3.9 kg

Dimensions (Unit: mm)



Ordering Information

Part No.	Description
12V DC Input ECW-281B-R11/ D2550/2GB	Fanless embedded system with WAFER-CV-D25501, with dual-core Intel® Atom™ D2550 1.86GHz CPU, 4 serial ports, with 2 GB DDR3 pre-installed SO-DIMM memory, 12 V DC in, 60W power adapter, black, RoHS
9 V~36 V DC Input ECW-281BWD-R10/ D2550/2GB	Fanless embedded system with WAFER-CV-D25501, with dual-core Intel® Atom™ D2550 1.86GHz CPU, 4 serial ports, with 2 GB DDR3 pre-installed SO-DIMM memory, 9 V~36 V DC in, 60W power adapter, black, RoHS

Packing List

1 x Power cord only for 12V	1 x HDD thermal pad
1 x 12V 60W power adapter only for 12V	1 x Screw set
1 x Wall mount bracket	