

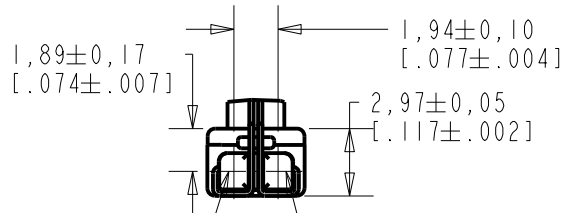
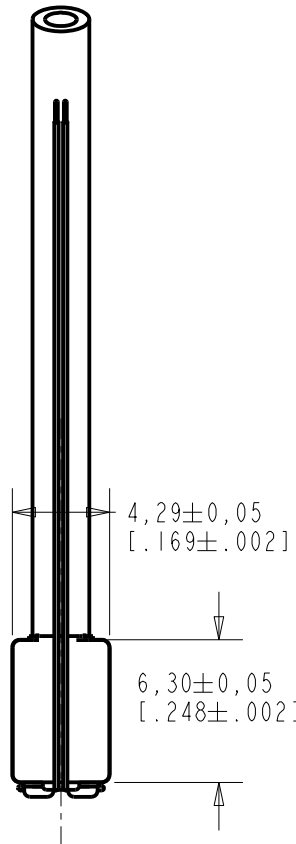
ED-27288-P111

SHT 1.1

NOTES:

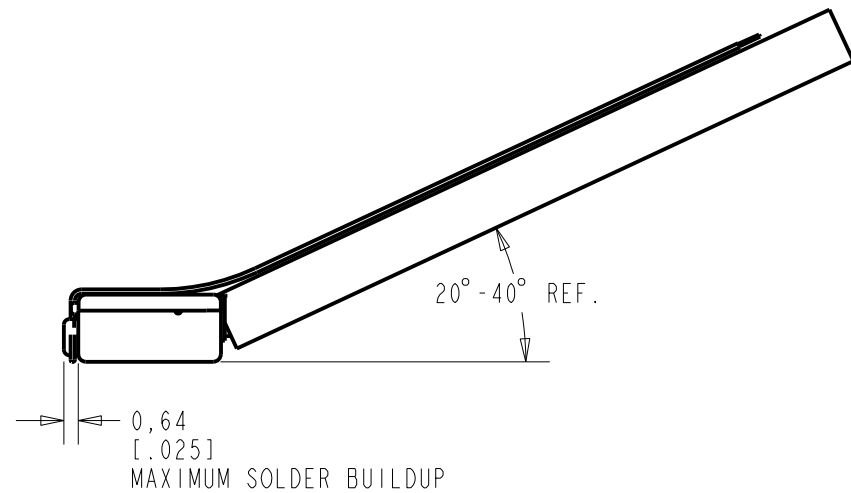


A POSITIVE GOING VOLTAGE AT TERMINAL 2, RELATIVE TO TERMINAL 1, CAUSES A DECREASE IN PRESSURE AT THE SOUND OUTLET.



1 TERMINAL 1  
2 TERMINAL 2

DIMENSIONS IN MILLIMETERS [INCHES]



Revision	C.O. #	Implementation Date	RELEASE LEVEL	REVISION
			Active	A
A	C40100700	7-7-11		

SCALE:	3:1	DR. BY	DATE
DO NOT SCALE DRAWING		LSY	7-7-11
TITLE:		CK. BY	DATE
RECEIVER		GJP	7-7-11
OUTLINE DRAWING		APP. BY	DATE
ED-27288-P111		GJP	7-7-11
SHT 1.1			

**KNOWLES ELECTRONICS**  
ITASCA, ILLINOIS U.S.A.

NOTES:

1. UNITS ARE TESTED AS INDIVIDUAL RECEIVERS. FOR THESE SPECIFICATIONS, PLEASE SEE ED-27288-000

Revision	C.O. #	Implementation Date	RELEASE LEVEL	REVISION
			<b>Active</b>	<b>A</b>
A	C40100700	7-7-11		

<b>KNOWLES ELECTRONICS</b> <b>ITASCA, ILLINOIS U.S.A.</b>	<small>WHEN TEST LIMITS ARE USED TO ESTABLISH INCOMING INSPECTION ACCEPTANCE/REJECTION CRITERIA, CORRELATION OF TEST EQUIPMENT WITH KNOWLES IS ALSO REQUIRED FOR ELIMINATION OF EQUIPMENT AND TEST METHOD VARIATION</small>	<small>DR. BY</small> LSY	<small>DATE</small> 7-7-11	
	TITLE: <b>RECEIVER</b> PERFORMANCE SPECIFICATION	<b>ED-27288-P111</b> <b>SHT 2.1</b>	<small>CK. BY</small> GJP	<small>DATE</small> 7-7-11
			<small>APP. BY</small> GJP	<small>DATE</small> 7-7-11
			<small>DATE</small> 7-7-11	