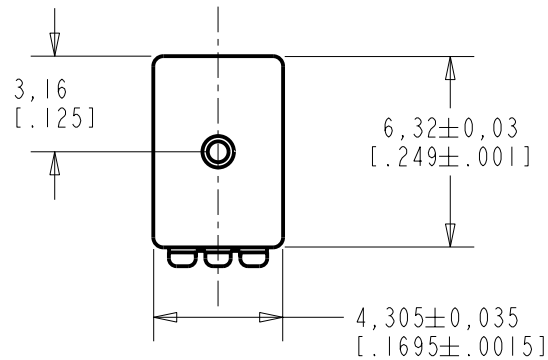
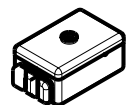


ED-29768-000
SHT 1.1



NOTE:

- 1 A POSITIVE GOING VOLTAGE AT TERMINAL 2, RELATIVE TO THE CENTER TAP TERMINAL, OR A NEGATIVE GOING VOLTAGE AT TERMINAL 1, RELATIVE TO THE CENTER TAP TERMINAL, CAUSES A DECREASE IN PRESSURE AT THE SOUND OUTLET.
- 2 LOCATED FROM TWO SURFACES FOR CUSTOMER CONVENIENCE. ONLY APPLICABLE FROM ONE SURFACE, NOT TO BE USED TOGETHER. HORIZONTAL LOCATION FOR TERMINAL CENTERED TO $\pm 0,17$ [0.007].



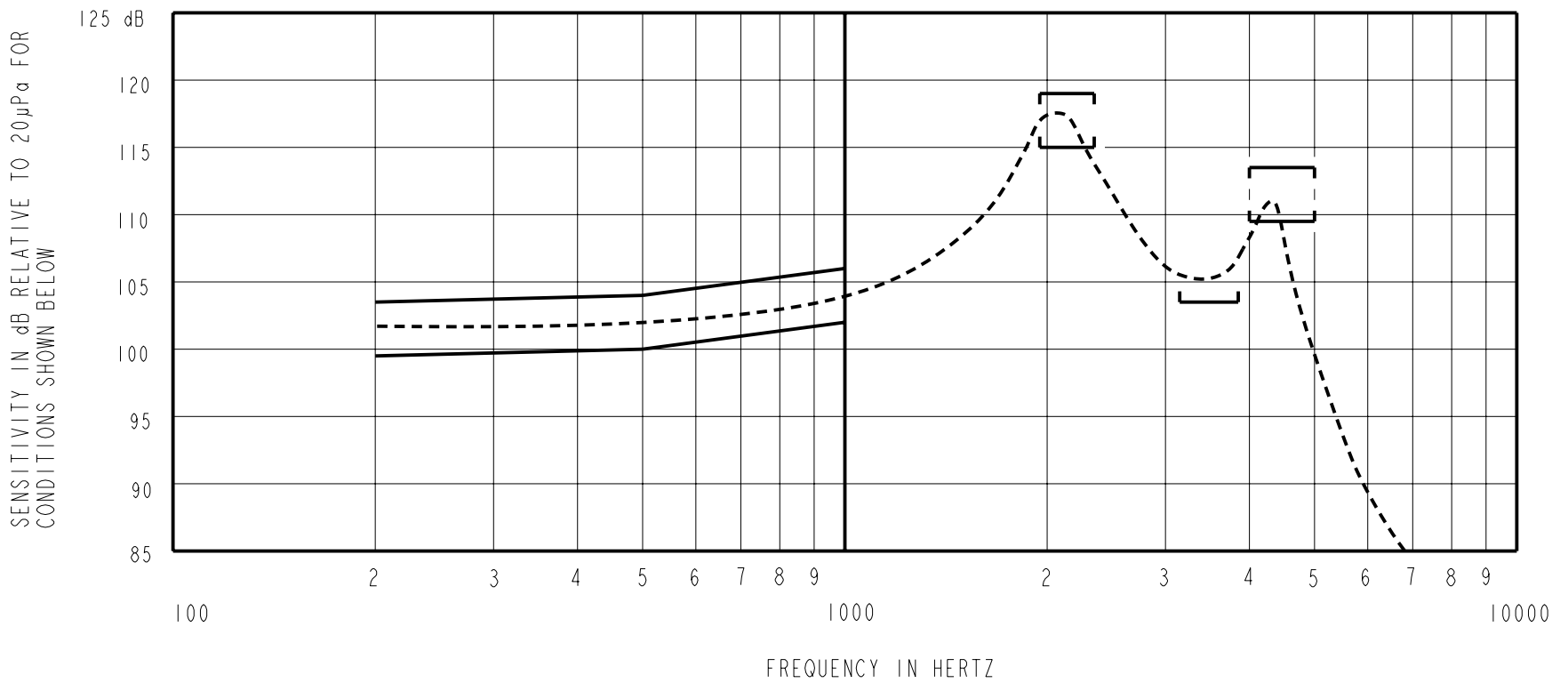
SCALE 2:1

NOMINAL WEIGHT
.31 GRAM

DIMENSIONS IN MILLIMETERS [INCHES]

KNOWLES ELECTRONICS
ITASCA, ILLINOIS U.S.A.

| Revision | C.O. # | Implementation Date | RELEASE LEVEL | REVISION |
|----------------------|-----------|---------------------|-----------------|----------|
| | | | Released | A |
| A | CI0103510 | 12-28-05 | | |
| SCALE: 4:1 | | | DR. BY | DATE |
| DO NOT SCALE DRAWING | | | CRG | 12-28-05 |
| TITLE: RECEIVER | | | ED-29768-000 | CK. BY |
| OUTLINE DRAWING | | | SHT 1.1 | GJP |
| | | | APP. BY | DATE |
| | | | GJP | 1-2-06 |



NOTES:

1. MEASUREMENTS MADE USING 10m (.394") X 1mm (.039") ID TUBE CONNECTED TO A SIMULATED ANSI S3.7-1973 TYPE HA-3 COUPLER. (IEC 126).

2. SENSITIVITY

| FREQUENCY | MIN. | MAX. |
|-----------|-------|-------|
| 200 | 99.5 | 103.5 |
| 500 | 100.0 | 104.0 |
| 1000 | 102.0 | 106.0 |
| 1950-2350 | 115.0 | 119.0 |
| 3150-3850 | 103.5 | --- |
| 4000-5000 | 109.5 | 113.5 |

- RESPONSE, IMPEDANCE, AND DISTORTION MEASUREMENTS MADE USING THE ELECTRICAL TEST CONDITIONS SHOWN BELOW.
- ELECTRICAL SOURCE IMPEDANCE MUST BE GREATER THAN 20 TIMES 1KHz IMPEDANCE FOR TEST CONDITIONS SHOWN BELOW.
- INDIVIDUAL SPECIFICATIONS.

| PORT LOCATION | IMPEDANCE OHMS ±15% | | DCR @20°C OHMS ±10% | DISTORTION | | ELECTRICAL TEST CONDITIONS | |
|---------------|------------------------|-------|------------------------------|------------|------------|----------------------------|----------|
| | 1KHz | 500Hz | | MAX. % | FREQ Hz | AC mA RMS | DC mA |
| 0JM | 1450 | 780 | 376 | 5 | 800 | 0.50 | 0.00 |

| Revision | C.O. # | Implementation Date | RELEASE LEVEL | REVISION |
|----------|-----------|---------------------|---------------|----------|
| A | C10103510 | 12-28-05 | Released | A |

| | | | |
|--|--|---------|----------|
| WHEN TEST LIMITS ARE USED TO ESTABLISH INCOMING INSPECTION ACCEPTANCE/REJECTION CRITERIA, CORRELATION OF TEST EQUIPMENT WITH KNOWLES IS ALSO REQUIRED FOR ELIMINATION OF EQUIPMENT AND TEST METHOD VARIATION | | DR. BY | DATE |
| TITLE: RECEIVER PERFORMANCE SPECIFICATION | | CRG | 12-28-05 |
| | | GJP | 1-2-06 |
| ED-29768-000 SHT 2.1 | | APP. BY | DATE |
| | | GJP | 1-2-06 |

KNOWLES ELECTRONICS
ITASCA, ILLINOIS U.S.A.