

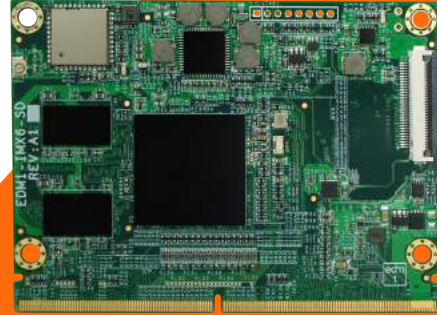


WANDBOARD.ORG



NXP i.MX6 Cortex-A9

low cost open source community development System on Module

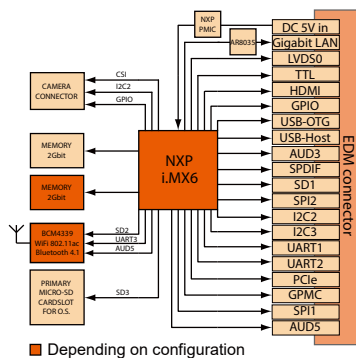


Specifications

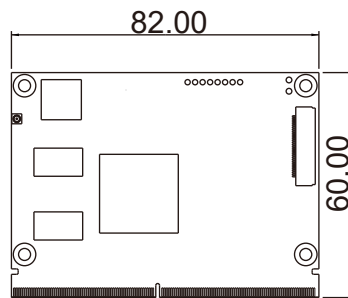
	EDM1-IMX6S-MSD	EDM1-IMX6U-MSD-BW	EDM1-IMX6Q-MSD-BW	EDM1-IMX6QP-MSD-BW
Processor	NXP i.MX6 Solo	NXP i.MX6 DualLite	NXP i.MX6 Quad	NXP i.MX6 QuadPlus
Architecture	ARM Cortex-A9	ARM Cortex-A9	ARM Cortex-A9	ARM Cortex-A9
PMIC	x	NXP MMPF0100	NXP MMPF0100	NXP MMPF0100
Memory	512 MB DDR3	1 GB DDR3	2 GB DDR3	2 GB DDR3
Storage	MicroSD Cardslot	MicroSD Cardslot	MicroSD Cardslot	MicroSD Cardslot
Gigabit LAN	✓	✓	✓	✓
WiFi/Bluetooth	x	✓	✓	✓
HDMI	✓	✓	✓	✓
LVDS	✓	✓	✓	✓
RGB TTL	✓	✓	✓	✓
LAN	✓	✓	✓	✓
PCIe	✓	✓	✓	✓
USB	✓	✓	✓	✓
USB OTG	✓	✓	✓	✓
I²S	✓	✓	✓	✓
SPDIF	✓	✓	✓	✓
SATA	x	x	✓	✓
SDIO	✓	✓	✓	✓
CAN	✓	✓	✓	✓
UART	✓	✓	✓	✓
SPI	✓	✓	✓	✓
I²C	✓	✓	✓	✓
GPMC	✓	✓	✓	✓
PWM	✓	✓	✓	✓
GPIO	✓	✓	✓	✓

Complete Schematics, Source Code and Documentation can be found on: www.wandboard.org

Block Diagram



Dimensional Drawing



Order Information

Model Name	Description
EDM1-IMX6S-MSD	Wandboard i.MX6 Solo SoM
EDM1-IMX6U-MSD-BW	Wandboard i.MX6 DualLite SoM
EDM1-IMX6Q-MSD-BW	Wandboard i.MX6 Quad SoM
EDM1-IMX6QP-MSD-BW	Wandboard i.MX6 QuadPlus SoM
EDMCONNECTORKIT	EDM connector kit (10 sets)
WBANTENNAKIT	Wandboard antenna kit
CAM-OV5645	Camera module

