

EDM1-GNOME



Main Features

- The EDM1-GNOME baseboard is compatible with TechNexion EDM Type 1 Series System on Modules. Our open and modular design ensures you can reduce your development time and costs and create extremely scalable IoT products.
- 40-pin Header and MikroBUS add extremely rich sensor, connectivity, expansion, and audio I/O options.
- Schematics, design files, board files and BOM lists of EDM1-GNOME are available and can be downloaded from the TechNexion homepage.



Power	LAN 1 st	TTL		2 nd LAN		I ² S 2 nd	SPDIF	CAN x2	SD	SPI x2	UART x2	Buttons + GPIO	RSVD
		LVDS	HDMI	PCIe x2	SATA 1 st	USB OTG	USB				I ² S 1 st		

Specifications

Core System

Board-to-Board Connector	EDM connector (314-pin MXM3)
System on Module	EDM SOM
Debug Interface	UART Interface by Through-hole

Internal Headers

Internal Display	1x 24-bit TTL RGB signals 1x TOUCH connector
------------------	---

Expansion Headers	GPIO
	I ² C
	I ² S
	PWM
	RS232
	SPI
	USB

MikroBUS	ADC
	GPIO
	I ² C
	PWM
	SPI
	UART

External Connectors

Audio Connectors	CTIA compliant 3.5mm audio jack
Network	2x RJ45
USB	1x USB 2.0 Host
	1x USB 2.0 OTG (Type-C)
Buttons	1x Reset
SD Cardslot	1x microSD cardslot

Audio

Audio Codec	NXP SGTL5000
Audio Interface	I ² S (2 channel)

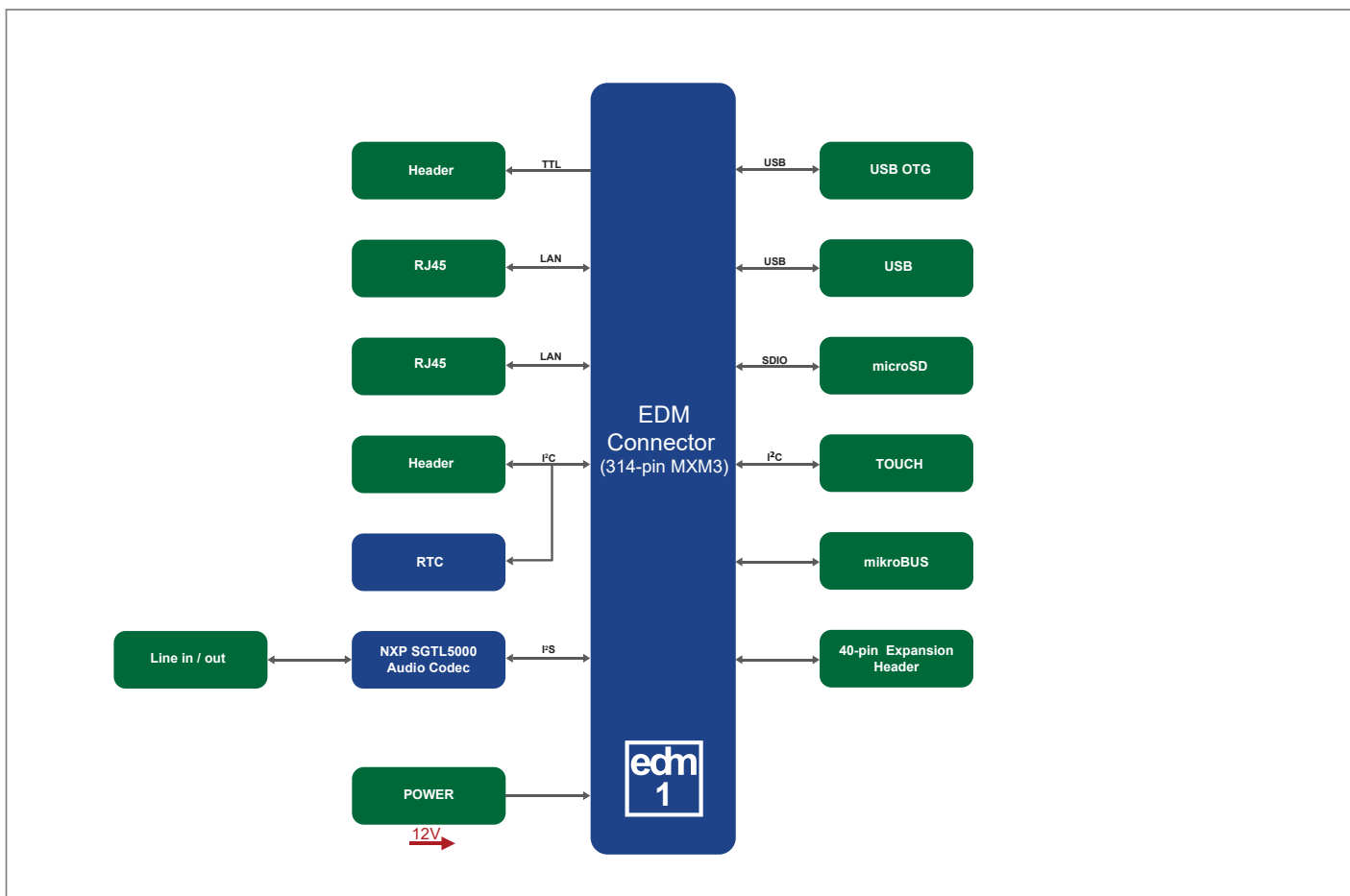
Sensors

RTC	maxim integrated DS1337+ 2-pin header battery connector
-----	--

Power Specifications

Power Input	12V DC +/-5%
Power Connector	2-pin Micro-Fit 3.0
Power Consumption	Depending on Configuration

Block Diagram



Environmental and Mechanical

Dimensions	100 x 72 mm
Form Factor	Pico-ITX
Weight	64 grams
Temperature	Commercial: 0° to +60° C
Relative Humidity	10 to 90 %
MTBF	>100 000 Hours
Shock	50G/25ms
Vibration	20G/0-600Hz
Certification	Compliant with CE / FCC / RoHS / REACH directives

Ordering Information

EDM1-GNOME-xxxxx

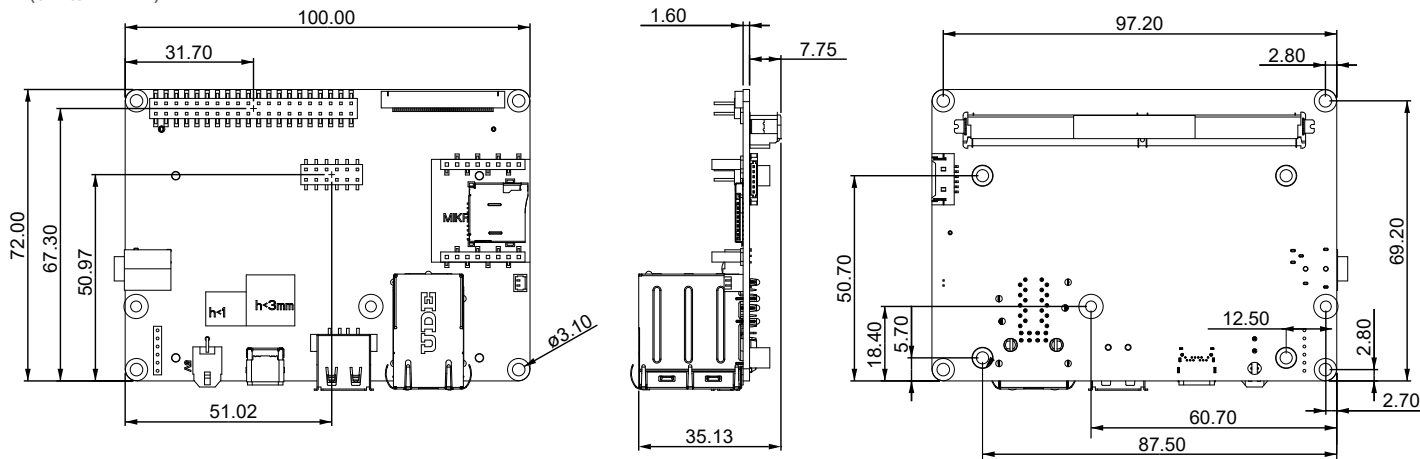
	Code	Description
Startkit	-	Board Only
	START	Evaluation Kit

EDM1-GNOME
GNOME EDM Type 1 Carrier Board
EDM1-GNOME-START
GNOME EDM Type 1 Evaluation Board including cablekit and adaptor

* Feel free to contact us for customization requests.

Dimensions

(units in mm)



2018-1-8. All specifications are subject to change without notice.