

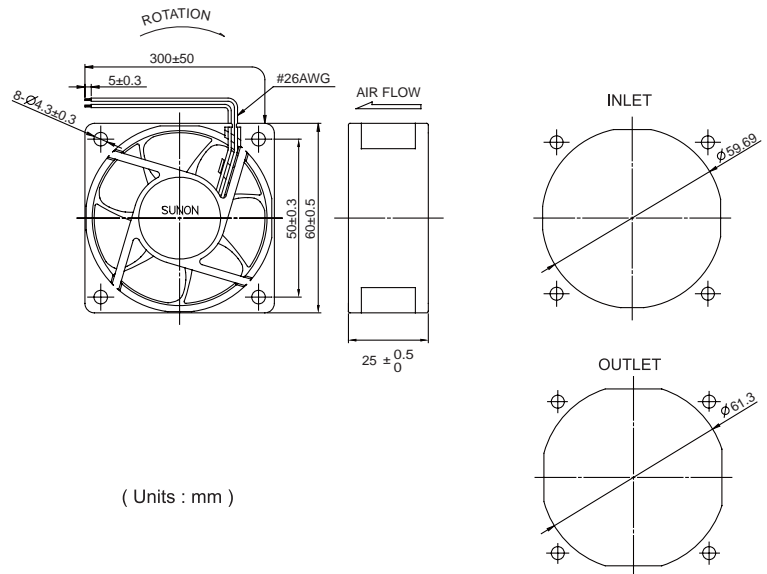
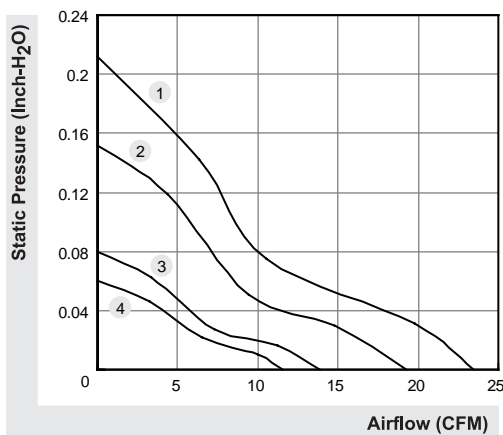
60x60x25 mm

11.6~23.5 CFM



	Bearing ● 2BALL ○ Sleeve	Rating Voltage (VDC)	Power Current (mA)	Power Consumption (WATTS)	Speed (RPM)	Air Flow (CFM)	Static Pressure (Inch-H ₂ O)	Noise (dBA)	Weight (g)	Curve
EE60251B1-0000-999	●	12	148	1.78	4500	23.5	0.21	34.5	55.0	1
EE60251B2-0000-999	●	12	87	1.04	3800	19.3	0.15	30.0	55.0	2
EE60251B3-0000-999	●	12	64	0.77	3000	13.9	0.08	20.0	55.0	3
EE60251B4-0000-999	●	12	50	0.60	2500	11.6	0.06	14.7	55.0	4

※ Preliminary specification for reference



*All model could be customized. Please contact with Sunon Sales.

*Specifications are subject to change without notice. Please Visit SUNON web site at <http://www.sunon.com> for update information.