

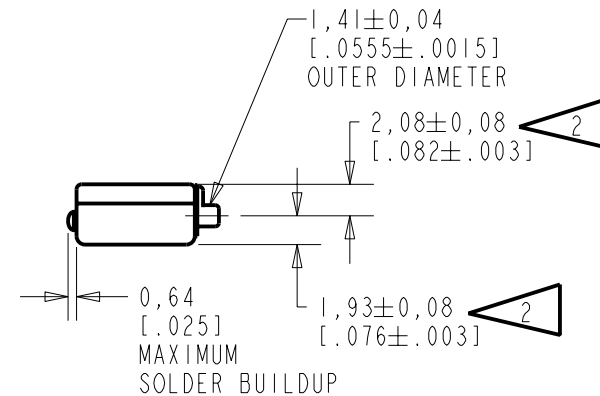
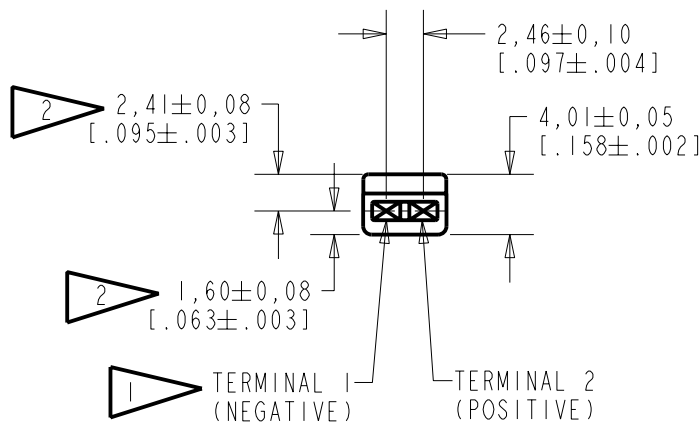
EF-27985-000

SHT 1.1



NOTES:

- 1 A POSITIVE GOING VOLTAGE AT TERMINAL 2, RELATIVE TO TERMINAL 1, CAUSES A DECREASE IN PRESSURE AT THE SOUND OUTLET.
- 2 LOCATED FROM TWO SURFACES FOR CUSTOMER CONVENIENCE. ONLY APPLICABLE FROM ONE SURFACE, NOT TO BE USED TOGETHER. HORIZONTAL LOCATION FOR TERMINAL CENTERED TO $\pm 0,17$ [.007].



NOMINAL WEIGHT
.66 GRAM

DIMENSIONS IN MILLIMETERS [INCHES]

KNOWLES ELECTRONICS
ITASCA, ILLINOIS U.S.A.

| Revision | C.O. # | Implementation Date | RELEASE LEVEL | REVISION |
|----------|-----------|---------------------|---------------|----------|
| A | CI0103490 | 11-29-05 | Released | A |

| | | | |
|----------------------|--|---------|----------|
| SCALE: 2:1 | | DR. BY | DATE |
| DO NOT SCALE DRAWING | | MMM | 11-29-05 |
| TITLE: RECEIVER | | CK. BY | DATE |
| OUTLINE DRAWING | | GJP | 11-29-05 |
| EF-27985-000 | | APP. BY | DATE |
| SHT 1.1 | | GJP | 11-29-05 |



NOTES:

- MEASUREMENTS MADE USING 8mm (.315") X 1mm (.039") ID + 28mm (1.10") X 1.5mm (.059") ID EAR HOOK SIMULATOR INTO 25mm (.984") OF 2mm (.079") ID TUBE + 18mm (.709") OF 3mm (.118") ID TUBE + 2cm³ CAVITY (AS IEC126). (T-2607 AND B & K DB0138).

2. SENSITIVITY

| FREQUENCY | MIN. | MAX. |
|-----------|-------|-------|
| 200 | 104.0 | 110.0 |
| 350 | 105.0 | --- |
| 500 | 107.0 | 113.0 |
| 700 | 110.5 | --- |
| 800 | 113.0 | 122.0 |
| 900-1200 | 124.0 | 129.0 |
| 1300-1700 | 114.5 | --- |
| 1800-2300 | 124.5 | 129.5 |
| 2300-2800 | 114.5 | --- |
| 2700-3300 | 120.5 | 125.5 |
| 3400-4000 | 109.0 | --- |
| 3900-4500 | 114.5 | 119.5 |
| 4600-5400 | 102.5 | --- |
| 5200-5900 | 110.0 | 118.0 |
| <6300 | 100.0 | --- |

- RESPONSE, IMPEDANCE, AND DISTORTION MEASUREMENTS MADE USING THE ELECTRICAL TEST CONDITIONS SHOWN BELOW.
- ELECTRICAL SOURCE IMPEDANCE MUST BE GREATER THAN 20 TIMES 1KHz IMPEDANCE FOR TEST CONDITIONS SHOWN BELOW.
- INDIVIDUAL SPECIFICATIONS.

| PORT LOCATION | IMPEDANCE OHMS ±15% | | DCR @20°C OHMS ±10% | DISTORTION | | ELECTRICAL TEST CONDITIONS | |
|---------------|---------------------|-------|---------------------|------------|---------|----------------------------|-------|
| | 1KHz | 500Hz | | MAX. % | FREQ Hz | AC mA RMS | DC mA |
| 12S | 345 | 135 | 48.5 | 10 | 500 | 1.60 | 0.00 |

| Revision | C.O. # | Implementation Date | RELEASE LEVEL | REVISION |
|----------|-----------|---------------------|---------------|----------|
| A | C10103490 | 11-29-05 | Released | A |

KNOWLES ELECTRONICS
ITASCA, ILLINOIS U.S.A.

WHEN TEST LIMITS ARE USED TO ESTABLISH INCOMING INSPECTION ACCEPTANCE/REJECTION CRITERIA, CORRELATION OF TEST EQUIPMENT WITH KNOWLES IS ALSO REQUIRED FOR ELIMINATION OF EQUIPMENT AND TEST METHOD VARIATION

TITLE: **RECEIVER**
PERFORMANCE SPECIFICATION

EF-27985-000
SHT 2.1

| DR. BY | DATE |
|--------|----------|
| MMM | 11-29-05 |
| GJP | 11-29-05 |
| GJP | 11-29-05 |