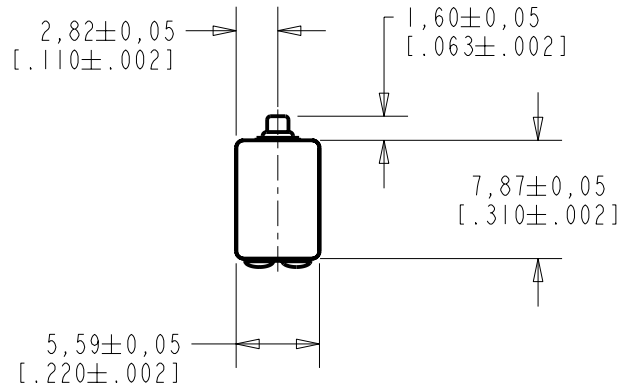
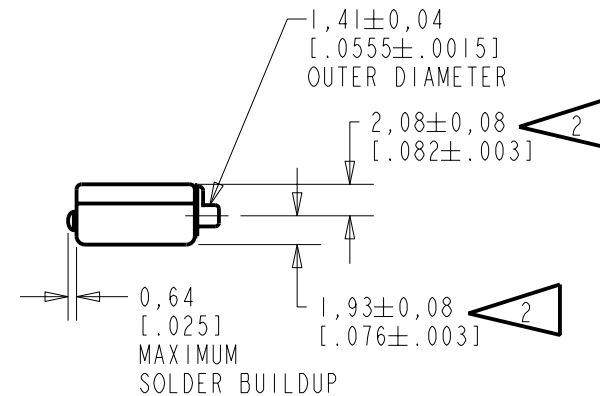
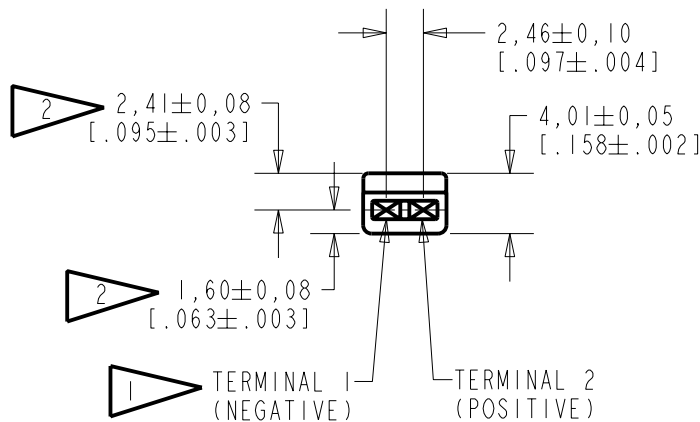


**EF-27985-000**  
SHT 1.1



NOTES:

- 1 A POSITIVE GOING VOLTAGE AT TERMINAL 2, RELATIVE TO TERMINAL 1, CAUSES A DECREASE IN PRESSURE AT THE SOUND OUTLET.
- 2 LOCATED FROM TWO SURFACES FOR CUSTOMER CONVENIENCE. ONLY APPLICABLE FROM ONE SURFACE, NOT TO BE USED TOGETHER. HORIZONTAL LOCATION FOR TERMINAL CENTERED TO  $\pm 0,17$  [.007].



NOMINAL WEIGHT  
.66 GRAM

DIMENSIONS IN MILLIMETERS [INCHES]

**KNOWLES ELECTRONICS**  
ITASCA, ILLINOIS U.S.A.

| Revision             | C.O. #    | Implementation Date | RELEASE LEVEL | REVISION       |
|----------------------|-----------|---------------------|---------------|----------------|
| A                    | CI0103490 | 11-29-05            | Released      | A              |
| SCALE: 2:1           |           |                     | DR. BY: MMM   | DATE: 11-29-05 |
| DO NOT SCALE DRAWING |           |                     | CK. BY: GJP   | DATE: 11-29-05 |
| TITLE: RECEIVER      |           | EF-27985-000        | APP. BY: GJP  | DATE: 11-29-05 |
| OUTLINE DRAWING      |           | SHT 1.1             |               |                |



NOTES:

FREQUENCY IN HERTZ

- MEASUREMENTS MADE USING 8mm (.315") X 1mm (.039") ID + 28mm (1.10") X 1.5mm (.059") ID EAR HOOK SIMULATOR INTO 25mm (.984") OF 2mm (.079") ID TUBE + 18mm (.709") OF 3mm (.118") ID TUBE + 2cm<sup>3</sup> CAVITY (AS IEC126). (T-2607 AND B & K DB0138).

2. SENSITIVITY

| FREQUENCY | MIN.  | MAX.  |
|-----------|-------|-------|
| 200       | 104.0 | 110.0 |
| 350       | 105.0 | ---   |
| 500       | 107.0 | 113.0 |
| 700       | 110.5 | ---   |
| 800       | 113.0 | 122.0 |
| 900-1200  | 124.0 | 129.0 |
| 1300-1700 | 114.5 | ---   |
| 1800-2300 | 124.5 | 129.5 |
| 2300-2800 | 114.5 | ---   |
| 2700-3300 | 120.5 | 125.5 |
| 3400-4000 | 109.0 | ---   |
| 3900-4500 | 114.5 | 119.5 |
| 4600-5400 | 102.5 | ---   |
| 5200-5900 | 110.0 | 118.0 |
| <6300     | 100.0 | ---   |

- RESPONSE, IMPEDANCE, AND DISTORTION MEASUREMENTS MADE USING THE ELECTRICAL TEST CONDITIONS SHOWN BELOW.
- ELECTRICAL SOURCE IMPEDANCE MUST BE GREATER THAN 20 TIMES 1KHz IMPEDANCE FOR TEST CONDITIONS SHOWN BELOW.
- INDIVIDUAL SPECIFICATIONS.

| PORT LOCATION | IMPEDANCE OHMS ±15% |       | DCR @20°C OHMS ±10% | DISTORTION |         | ELECTRICAL TEST CONDITIONS |       |
|---------------|---------------------|-------|---------------------|------------|---------|----------------------------|-------|
|               | 1KHz                | 500Hz |                     | MAX. %     | FREQ Hz | AC mA RMS                  | DC mA |
| 12S           | 345                 | 135   | 48.5                | 10         | 500     | 1.60                       | 0.00  |

| Revision | C.O. #    | Implementation Date | RELEASE LEVEL | REVISION |
|----------|-----------|---------------------|---------------|----------|
| A        | C10103490 | 11-29-05            | Released      | A        |

**KNOWLES ELECTRONICS**  
ITASCA, ILLINOIS U.S.A.

WHEN TEST LIMITS ARE USED TO ESTABLISH INCOMING INSPECTION ACCEPTANCE/REJECTION CRITERIA, CORRELATION OF TEST EQUIPMENT WITH KNOWLES IS ALSO REQUIRED FOR ELIMINATION OF EQUIPMENT AND TEST METHOD VARIATION

TITLE: **RECEIVER**  
PERFORMANCE SPECIFICATION

**EF-27985-000**  
SHT 2.1

| DR. BY  | DATE     |
|---------|----------|
| MMM     | 11-29-05 |
| CK. BY  | DATE     |
| GJP     | 11-29-05 |
| APP. BY | DATE     |
| GJP     | 11-29-05 |