

# Accessories

## EFCT SERIES CURRENT TRANSFORMER



### Current Sensor



### Description

The EFCT series is a sensitive nickel-core current transformer used with Littelfuse relays to detect low levels of earth-leakage current.

### Accessories



#### EFCT-1FC Flux Conditioner

used with the EFCT-1 to reduce saturation and prevent false operation due to large surge currents.

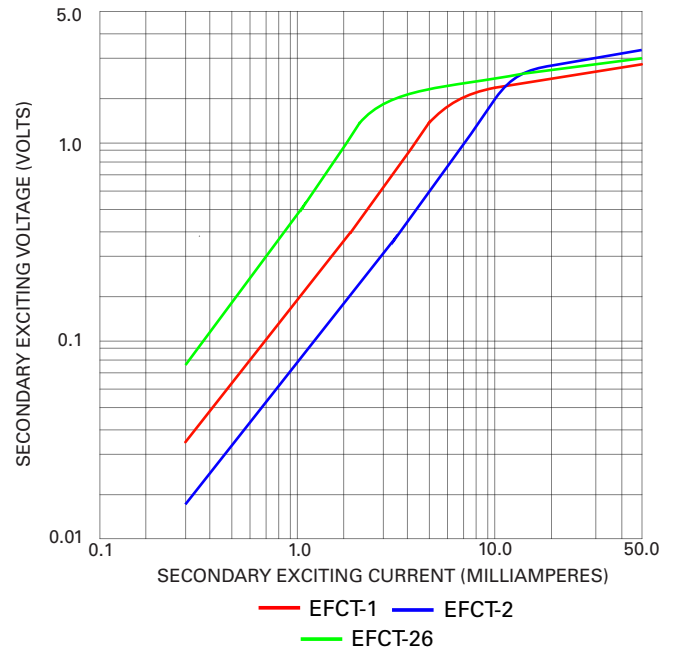
### Ordering Information

ORDERING NUMBER	WINDOW SIZE, ID	WEIGHT
EFCT-26	26 mm (1.0")	0.4 kg (1 lb)
EFCT-1	82 mm (3.2")	0.9 kg (2 lb)
EFCT-2	139 mm (5.5")	2.7 kg (6 lb)

### Specifications

<b>Turns Ratio</b>	100:1
<b>Current Rating</b>	5:0.05 A
<b>Accuracy</b>	3% @ 0.01 VA
<b>Frequency</b>	50 to 400 Hz <sup>1</sup> 0 to 6 kHz for EL731
<b>Insulation Level</b>	600 V
<b>Operating Temperature</b>	-55 to 60°C (-67 to 140°F)
<b>Application</b>	EL731, FPU-32, FPS, MPU-32, MPS, SE-330, SE-701, SE-703
<b>Certification</b>	CSA, UL, CE
<b>Compliance</b>	RoHS, IEC 60044-1

Note: <sup>1</sup> Frequency response may be extended for specific product families.

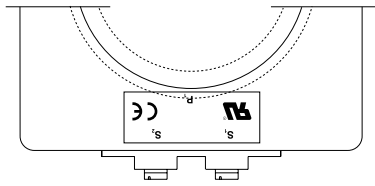


# Accessories

## EFCT SERIES CURRENT TRANSFORMER

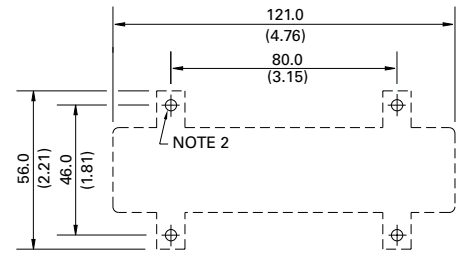
### Dimensions and Mounting Diagram

#### EFCT-1

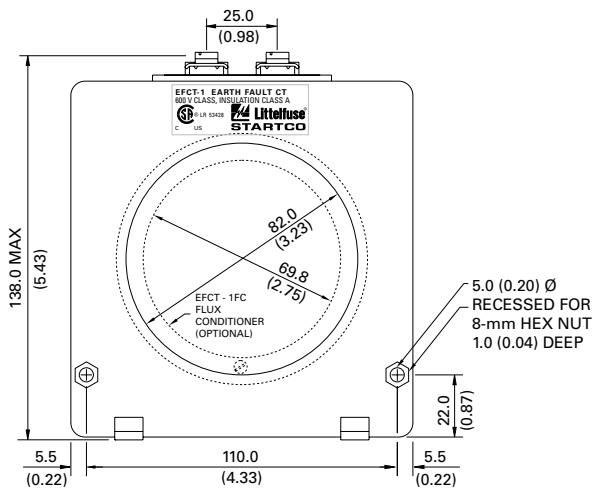


**NOTES:**

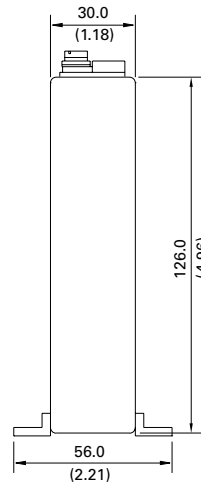
1. DIMENSIONS IN MILLIMETRES (INCHES).
2. MOUNTING SCREWS: M4 OR 8-32.
3. PRESS MOUNTING FEET IN PLACE USING INSTALLATION TOOL PROVIDED.
4. RoHS COMPLIANT.
5. EN 60044-1 COMPLIANT.



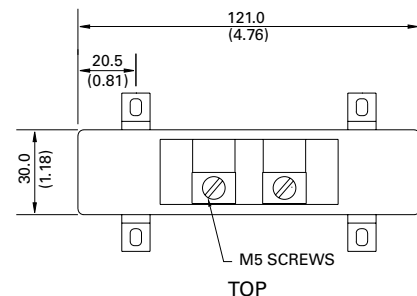
MOUNTING DETAIL



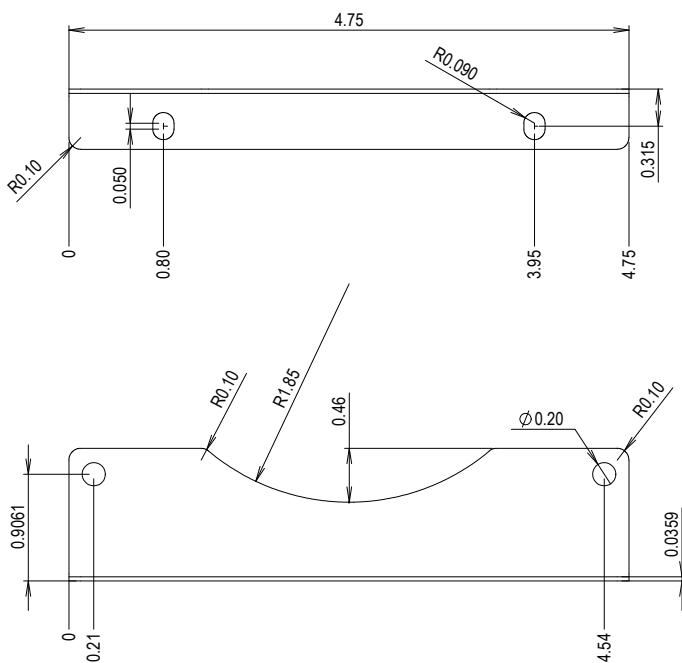
FRONT



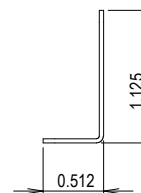
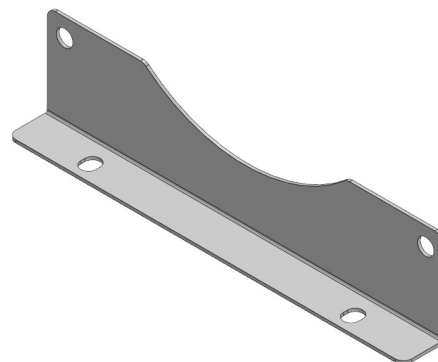
SIDE



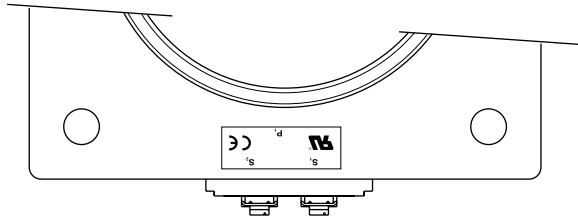
TOP



MOUNTING FEET

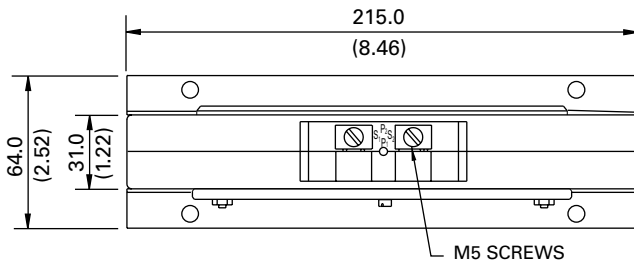


**Dimensions and Mounting Diagram**  
**EFCT-2**

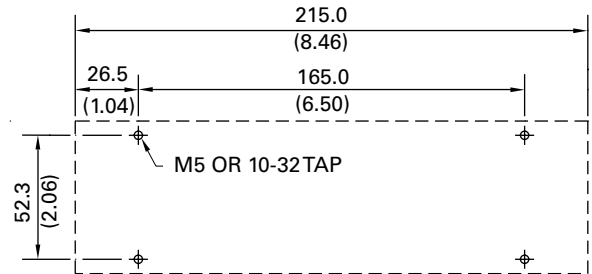


**NOTES:**

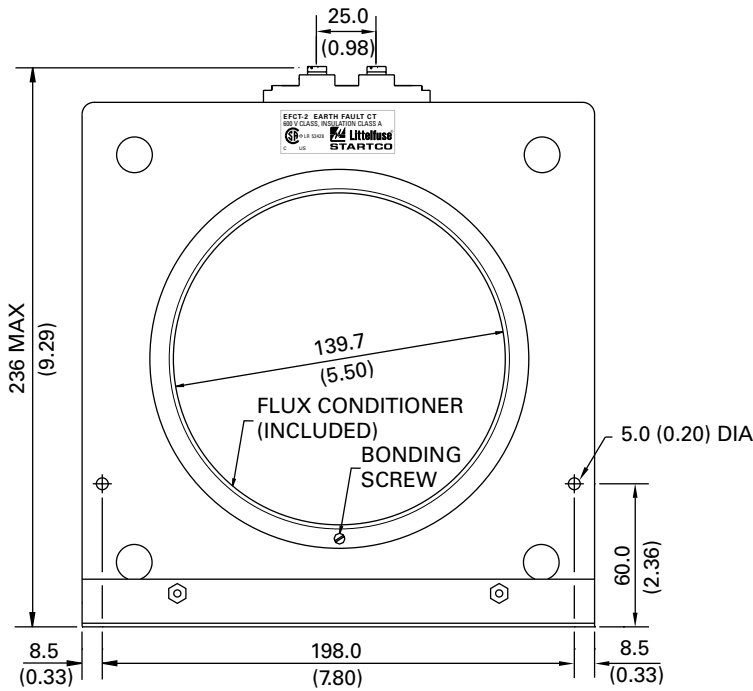
1. DIMENSIONS IN MILLIMETRES (INCHES).
2. MOUNTING SCREWS: M5 OR 10-32.
3. RoHS COMPLIANT.
4. EN 60044-1 COMPLIANT.



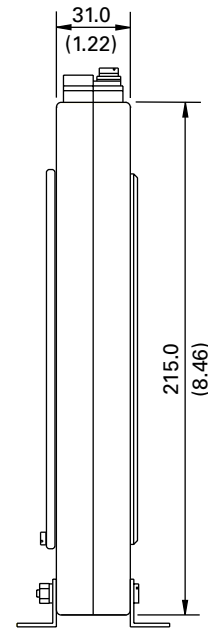
**TOP**



**MOUNTING DETAIL**



**FRONT**



**SIDE**