

E SERIES RECEPTACLES WITH SOLDER CUPS



Switchcraft now offers the E Series with a solder cup option. This new option is perfect for panel mount, non-PC board applications. The solder cups offer a generous area to solder. Available in male and female, the receptacles can be mounted from the front or rear of the panel. See the back page for part numbers. This new option is in addition to all of the previous termination options available with the E Series.

E SERIES FEATURES

- Replaces Neutrik D Series
- 3-pin contact; male and female types
- Both male and female fit in same panel cutout
- Choice of 4 terminations; solder cups, conical spring solder terminals, straight or right-angle PC terminals
- Inserts and housings can be specified and stocked separately to minimize inventory and maximize configuration possibilities, for cost/time savings.
- Quick release inserts for ease of removal. For PC board applications, insert can be removed/assembled to the housing while soldered to the PC board.
- Locking receptacles
- Protected ground clip minimizes scooping damage
- Insert lock detent resists disassembly from shock or vibration during normal handling and transportation
- Silver and gold-plated contacts available
- Rugged metal shells; black or satin nickel finishes
- Through-the-shell ground connection and all-metal shells for greater shielding effectiveness
- Compatible with Switchcraft Q-G®, QGP and other connectors with similar configurations

SPECIFICATIONS:

ELECTRICAL

Contact Resistance: 50 milliohms maximum, per pole.
Current Rating: 15A
Insulation Resistance: 2 X 10⁶ M Ω ?
Dielectric Resistance: 1,000 V rms
Capacitance: 10 pF

MECHANICAL

Insertion/Withdrawal Forces: 7 pounds maximum/5 pounds nominal insertion; 7 pounds maximum/5 pounds nominal withdrawal.
Life: 10,000 operations (minimum).

ENVIRONMENTAL

Thermal Range: -55° C to +85° C
Humidity: Meets MIL-STD-202F, method 106E.
Thermal Shock: Meets MIL-STD-202F, method 107D
Salt Spray: Meets MIL-STD-202F, method 101D

MATERIAL

Shells: Die-cast; satin-nickel or Black Velvet.
Inserts: Glass-filled thermoplastic.
Socket Contacts: Copper alloy, silver- or gold-plated.
Pin Contacts: Copper alloy, silver- or gold-plated.
Latch Release: Steel, nickel-plated.
Insert Locking Cam: Die-cast zinc.

INSERTS AND HOUSINGS

Inserts and housings can be ordered separately to make any possible combination of the following features:

1. Silver or gold contacts
2. Satin nickel or black chrome over nickel housing
3. Locking
4. Male or female connector
5. Conical spring solder terminals, solder cup, straight or right-angle PC terminals

QG® PART NUMBERING SYSTEM

Each character (or absence thereof) in the part numbers

Character	Description
E	Series designator
3	3 pins or contacts
*	M – male connector; F – female connector
QG	Denotes insert only
H	Denotes housing only
B housing)	Black housing (absence of 'B' denotes satin-nickel)
RA denote	Right-angle PC terminals (absence of 'RA' or 'ST' denote conical spring solder terminals)
ST	Straight PC terminals (absence of 'ST' or 'RA' denote conical spring solder terminals)



RELEASE INSERT

In two simple steps, inserts can be released while housing stays fastened to the panel.

1. With a small screwdriver, twist insert locking screw from front of insert.
2. Remove insert from the rear of the housing.

TERMINALS

Four terminations are available on E Series receptacles:

1. Conical Spring Solder terminals – conical spring on each pin holds wire in place providing constant pressure during soldering process. This effectively acts as a third hand, assuring a high quality solder termination. Housing mounts to panel.
2. Straight PC terminals – direct termination to PC board. Housing mounts to panel.
3. Right-angle PC terminals – direct termination to PC board at a right-angle. Housing mounts to panel.

COMPLETE-CONNECTOR-ASSEMBLIES SATIN NICKEL HOUSING (solder cup version only)

Part Number	Terminals	Locking or Non-Locking	Contacts	Housing	Insert	Housing	Type
E3FSC	Solder			Satin	E3FSCQG	EFHB	F

COMPLETE-CONNECTOR-ASSEMBLIES BLACK HOUSING (solder cup version only)

Part Number	Terminals	Locking or Non-Locking	Contacts	Housing	Insert	Housing	Type
E3FSCB	Solder Cup	Locking	Silver	Black	E3FSCQG	EFHB	F
E3MSCB					E3MSCQG	EMHB	M
E3FSCBAU	Solder				E3FSCAUQG	FFHB	F

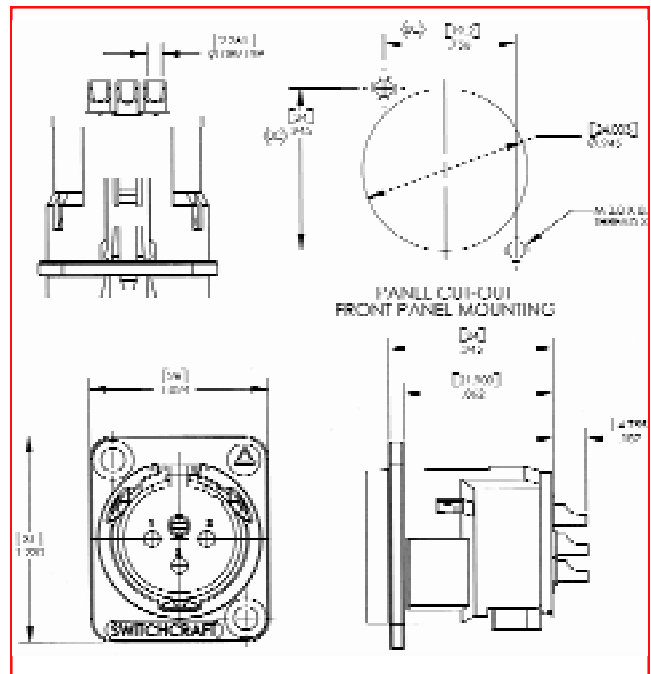
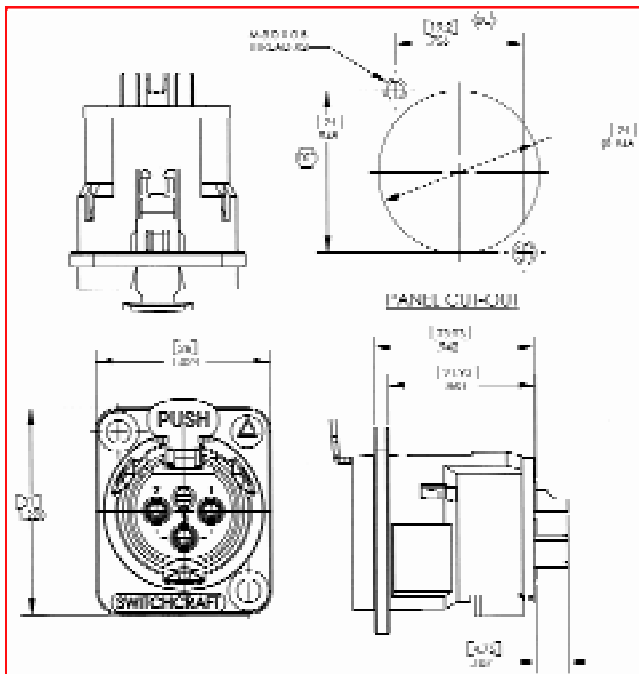
FASDISCONNECT VERSIONS – DETENT (solder cup version)

Part Number	Terminals	Locking or Non-Locking	Contacts	Housing	Insert	Housing	Type
E3FDSC	Solder Cup	Non-Locking	Silver	Satin-nickel	E3FDSCQG	EFDH	F
E3FDSCB				Black		EFDH	F
?E3FDSCAU	Solder			Satin-nickel		FFDH	F

INSERTS (solder cup version only)

Part Number	Contacts	Terminals	Locking or Non-Locking	Type
E3FSCQG	Silver	Solder Cup	Locking	F
E3MSCQG	Silver	Solder Cup	—	M
?E3FSCAUQG	Gold	Solder Cup	Locking	F

E SERIES RECEPTACLES



Switchcraft®

Switchcraft, Inc. is a major manufacturer of a broad line of electronic/electromechanical components for the audio/video, telecommunication, data communication, computer, medical, military, appliance, transportation and instrumentation markets.

SWITCHCRAFT, INC.
 5555 North Elston Avenue
 Chicago, IL 60630
 773-792-2700
 Fax 773-792-2129
 www.switchcraft.com

