

# EFM32 Tiny Gecko Series 1 Family

## EFM32TG11 Family Data Sheet



The EFM32 Tiny Gecko Series 1 MCUs are the world's most energy-friendly microcontrollers, featuring new connectivity interfaces and rich analog features.

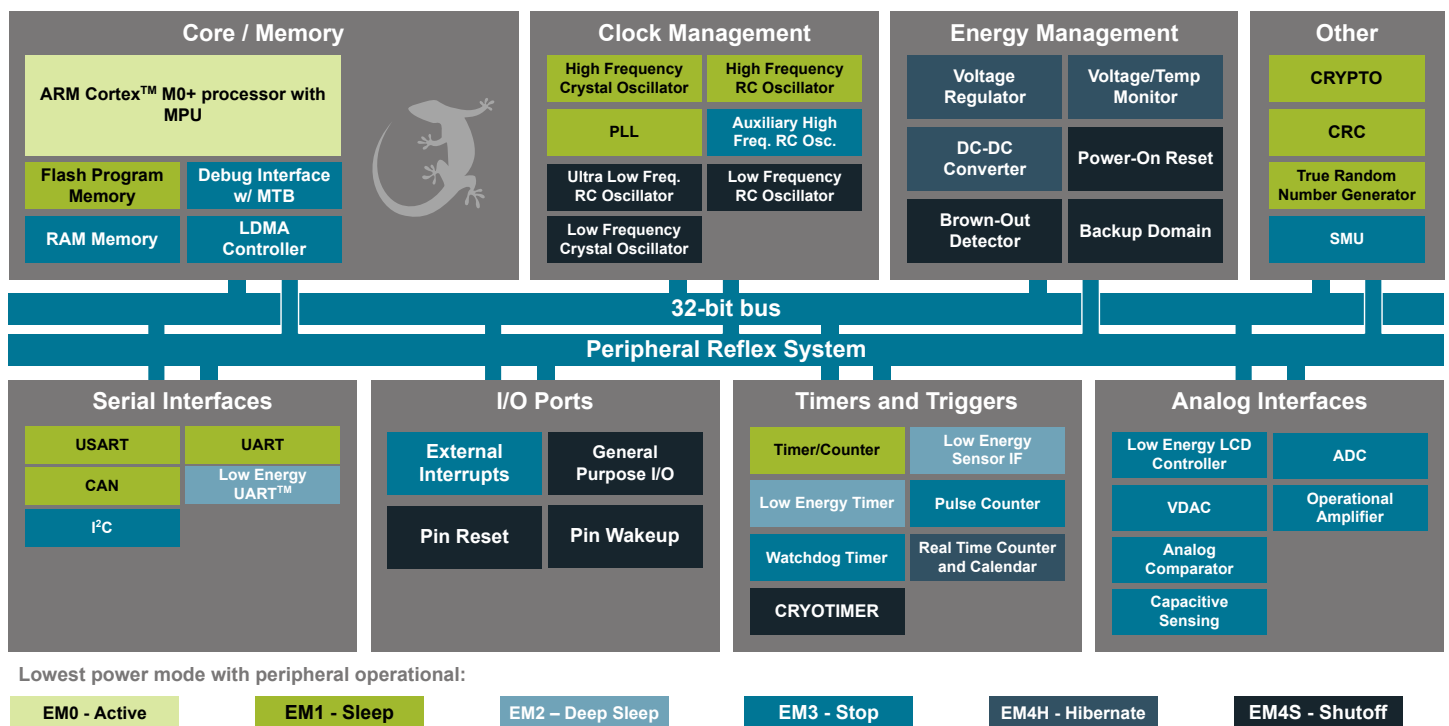
EFM32TG11 includes a powerful and efficient 32-bit ARM® Cortex®-M0+ and provides robust security via a unique cryptographic hardware engine supporting AES, ECC, SHA, and True Random Number Generator (TRNG). New features include a CAN bus controller, highly robust capacitive sensing, and LESENSE/PCNT enhancements for smart energy meters. These features, combined with ultra-low current active mode and short wake-up time from energy-saving modes, make EFM32TG11 microcontrollers well suited for any battery-powered application, as well as other systems requiring high performance and low-energy consumption.

Example applications:

- Smart energy meters
- Industrial and factory automation
- Home automation and security
- Entry-level wearables
- Personal medical devices
- IoT devices

### ENERGY FRIENDLY FEATURES

- ARM Cortex-M0+ at 48 MHz
- Ultra low energy operation:
  - 37  $\mu$ A/MHz in Energy Mode 0 (EM0)
  - 1.30  $\mu$ A EM2 Deep Sleep current
- CAN 2.0 Bus Controller
- Low energy analog peripherals: ADC, DAC, OPAMP, Comparator, Segment LCD
- Hardware cryptographic engine supports AES, ECC, SHA, and TRNG
- Robust capacitive touch sense
- Footprint compatible with select EFM32 packages
- 5 V tolerant I/O



## 1. Feature List

The EFM32TG11 highlighted features are listed below.

- **ARM Cortex-M0+ CPU platform**
  - High performance 32-bit processor @ up to 48 MHz
  - Memory Protection Unit
  - Wake-up Interrupt Controller
- **Flexible Energy Management System**
  - 37  $\mu$ A/MHz in Active Mode (EM0)
  - 1.30  $\mu$ A EM2 Deep Sleep current (8 kB RAM retention and RTCC running from LFRCO)
- **Integrated DC-DC buck converter**
- **Backup Power Domain**
  - RTCC and retention registers in a separate power domain, available in all energy modes
  - Operation from backup battery when main power absent/insufficient
- **Up to 128 kB flash program memory**
- **Up to 32 kB RAM data memory**
- **Communication Interfaces**
  - CAN Bus Controller
    - Version 2.0A and 2.0B up to 1 Mbps
  - 4  $\times$  Universal Synchronous/Asynchronous Receiver/ Transmitter
    - UART/SPI/SmartCard (ISO 7816)/IrDA/I2S/LIN
    - Triple buffered full/half-duplex operation with flow control
    - Ultra high speed (24 MHz) operation on one instance
  - 1  $\times$  Universal Asynchronous Receiver/ Transmitter
  - 1  $\times$  Low Energy UART
    - Autonomous operation with DMA in Deep Sleep Mode
  - 2  $\times$  I<sup>2</sup>C Interface with SMBus support
    - Address recognition in EM3 Stop Mode
- **Up to 67 General Purpose I/O Pins**
  - Configurable push-pull, open-drain, pull-up/down, input filter, drive strength
  - Configurable peripheral I/O locations
  - 5 V tolerance on select pins
  - Asynchronous external interrupts
  - Output state retention and wake-up from Shutoff Mode
- **Up to 8 Channel DMA Controller**
- **Up to 8 Channel Peripheral Reflex System (PRS) for autonomous inter-peripheral signaling**
- **Hardware Cryptography**
  - AES 128/256-bit keys
  - ECC B/K163, B/K233, P192, P224, P256
  - SHA-1 and SHA-2 (SHA-224 and SHA-256)
  - True Random Number Generator (TRNG)
- **Hardware CRC engine**
  - Single-cycle computation with 8/16/32-bit data and 16-bit (programmable)/32-bit (fixed) polynomial
- **Security Management Unit (SMU)**
  - Fine-grained access control for on-chip peripherals
- **Integrated Low-energy LCD Controller with up to 8  $\times$  32 segments**
  - Voltage boost, contrast and autonomous animation
  - Patented low-energy LCD driver
- **Ultra Low-Power Precision Analog Peripherals**
  - 12-bit 1 Msamples/s Analog to Digital Converter (ADC)
    - On-chip temperature sensor
  - 2  $\times$  12-bit 500 ksamples/s Digital to Analog Converter (VDAC)
  - Up to 2  $\times$  Analog Comparator (ACMP)
  - Up to 4  $\times$  Operational Amplifier (OPAMP)
  - Robust current-based capacitive sensing with up to 38 inputs and wake-on-touch (CSEN)
  - Up to 62 GPIO pins are analog-capable. Flexible analog peripheral-to-pin routing via Analog Port (APORT)
  - Supply Voltage Monitor

- **Timers/Counters**
  - 2 × 16-bit Timer/Counter
    - 3 or 4 Compare/Capture/PWM channels (4 + 4 on one timer instance)
    - Dead-Time Insertion on one timer instance
  - 2 × 32-bit Timer/Counter
  - 32-bit Real Time Counter and Calendar (RTCC)
  - 32-bit Ultra Low Energy CRYOTIMER for periodic wakeup from any Energy Mode
  - 16-bit Low Energy Timer for waveform generation
  - 16-bit Pulse Counter with asynchronous operation
  - Watchdog Timer with dedicated RC oscillator
- **Low Energy Sensor Interface (LESENSE)**
  - Autonomous sensor monitoring in Deep Sleep Mode
  - Wide range of sensors supported, including LC sensors and capacitive buttons
  - Up to 16 inputs
- **Ultra efficient Power-on Reset and Brown-Out Detector**
- **Debug Interface**
  - 2-pin Serial Wire Debug interface
  - 4-pin JTAG interface
  - Micro Trace Buffer (MTB)
- **Pre-Programmed UART Bootloader**
- **Wide Operating Range**
  - 1.8 V to 3.8 V single power supply
  - Integrated DC-DC, down to 1.8 V output with up to 200 mA load current for system
  - Standard (-40 °C to 85 °C T<sub>A</sub>) and Extended (-40 °C to 125 °C T<sub>J</sub>) temperature grades available
- **Packages**
  - QFN32 (5x5 mm)
  - TQFP48 (7x7 mm)
  - QFN64 (9x9 mm)
  - TQFP64 (10x10 mm)
  - QFN80 (9x9 mm)
  - TQFP80 (12x12 mm)

## 2. Ordering Information

**Table 2.1. Ordering Information**

| Ordering Code           | Flash (kB) | RAM (kB) | DC-DC Converter | LCD | GPIO | Package | Temp Range    |
|-------------------------|------------|----------|-----------------|-----|------|---------|---------------|
| EFM32TG11B520F128GM80-B | 128        | 32       | Yes             | Yes | 67   | QFN80   | -40 to +85°C  |
| EFM32TG11B520F128GQ80-B | 128        | 32       | Yes             | Yes | 63   | QFP80   | -40 to +85°C  |
| EFM32TG11B520F128IM80-B | 128        | 32       | Yes             | Yes | 67   | QFN80   | -40 to +125°C |
| EFM32TG11B520F128IQ80-B | 128        | 32       | Yes             | Yes | 63   | QFP80   | -40 to +125°C |
| EFM32TG11B540F64GM80-B  | 64         | 32       | Yes             | Yes | 67   | QFN80   | -40 to +85°C  |
| EFM32TG11B540F64GQ80-B  | 64         | 32       | Yes             | Yes | 63   | QFP80   | -40 to +85°C  |
| EFM32TG11B540F64IM80-B  | 64         | 32       | Yes             | Yes | 67   | QFN80   | -40 to +125°C |
| EFM32TG11B540F64IQ80-B  | 64         | 32       | Yes             | Yes | 63   | QFP80   | -40 to +125°C |
| EFM32TG11B520F128GM64-B | 128        | 32       | Yes             | Yes | 53   | QFN64   | -40 to +85°C  |
| EFM32TG11B520F128GQ64-B | 128        | 32       | Yes             | Yes | 50   | QFP64   | -40 to +85°C  |
| EFM32TG11B520F128IM64-B | 128        | 32       | Yes             | Yes | 53   | QFN64   | -40 to +125°C |
| EFM32TG11B520F128IQ64-B | 128        | 32       | Yes             | Yes | 50   | QFP64   | -40 to +125°C |
| EFM32TG11B540F64GM64-B  | 64         | 32       | Yes             | Yes | 53   | QFN64   | -40 to +85°C  |
| EFM32TG11B540F64GQ64-B  | 64         | 32       | Yes             | Yes | 50   | QFP64   | -40 to +85°C  |
| EFM32TG11B540F64IM64-B  | 64         | 32       | Yes             | Yes | 53   | QFN64   | -40 to +125°C |
| EFM32TG11B540F64IQ64-B  | 64         | 32       | Yes             | Yes | 50   | QFP64   | -40 to +125°C |
| EFM32TG11B520F128GQ48-B | 128        | 32       | Yes             | Yes | 34   | QFP48   | -40 to +85°C  |
| EFM32TG11B520F128IQ48-B | 128        | 32       | Yes             | Yes | 34   | QFP48   | -40 to +125°C |
| EFM32TG11B540F64GQ48-B  | 64         | 32       | Yes             | Yes | 34   | QFP48   | -40 to +85°C  |
| EFM32TG11B540F64IQ48-B  | 64         | 32       | Yes             | Yes | 34   | QFP48   | -40 to +125°C |
| EFM32TG11B520F128GM32-B | 128        | 32       | Yes             | Yes | 22   | QFN32   | -40 to +85°C  |
| EFM32TG11B520F128IM32-B | 128        | 32       | Yes             | Yes | 22   | QFN32   | -40 to +125°C |
| EFM32TG11B540F64GM32-B  | 64         | 32       | Yes             | Yes | 22   | QFN32   | -40 to +85°C  |
| EFM32TG11B540F64IM32-B  | 64         | 32       | Yes             | Yes | 22   | QFN32   | -40 to +125°C |
| EFM32TG11B320F128GM64-B | 128        | 32       | No              | Yes | 56   | QFN64   | -40 to +85°C  |
| EFM32TG11B320F128GQ64-B | 128        | 32       | No              | Yes | 53   | QFP64   | -40 to +85°C  |
| EFM32TG11B320F128IM64-B | 128        | 32       | No              | Yes | 56   | QFN64   | -40 to +125°C |
| EFM32TG11B320F128IQ64-B | 128        | 32       | No              | Yes | 53   | QFP64   | -40 to +125°C |
| EFM32TG11B340F64GM64-B  | 64         | 32       | No              | Yes | 56   | QFN64   | -40 to +85°C  |
| EFM32TG11B340F64GQ64-B  | 64         | 32       | No              | Yes | 53   | QFP64   | -40 to +85°C  |
| EFM32TG11B340F64IM64-B  | 64         | 32       | No              | Yes | 56   | QFN64   | -40 to +125°C |
| EFM32TG11B340F64IQ64-B  | 64         | 32       | No              | Yes | 53   | QFP64   | -40 to +125°C |

| Ordering Code           | Flash (kB) | RAM (kB) | DC-DC Converter | LCD | GPIO | Package | Temp Range    |
|-------------------------|------------|----------|-----------------|-----|------|---------|---------------|
| EFM32TG11B320F128GQ48-B | 128        | 32       | No              | Yes | 37   | QFP48   | -40 to +85°C  |
| EFM32TG11B320F128IQ48-B | 128        | 32       | No              | Yes | 37   | QFP48   | -40 to +125°C |
| EFM32TG11B340F64GQ48-B  | 64         | 32       | No              | Yes | 37   | QFP48   | -40 to +85°C  |
| EFM32TG11B340F64IQ48-B  | 64         | 32       | No              | Yes | 37   | QFP48   | -40 to +125°C |
| EFM32TG11B120F128GM64-B | 128        | 32       | No              | No  | 56   | QFN64   | -40 to +85°C  |
| EFM32TG11B120F128GQ64-B | 128        | 32       | No              | No  | 53   | QFP64   | -40 to +85°C  |
| EFM32TG11B120F128IM64-B | 128        | 32       | No              | No  | 56   | QFN64   | -40 to +125°C |
| EFM32TG11B120F128IQ64-B | 128        | 32       | No              | No  | 53   | QFP64   | -40 to +125°C |
| EFM32TG11B140F64GM64-B  | 64         | 32       | No              | No  | 56   | QFN64   | -40 to +85°C  |
| EFM32TG11B140F64GQ64-B  | 64         | 32       | No              | No  | 53   | QFP64   | -40 to +85°C  |
| EFM32TG11B140F64IM64-B  | 64         | 32       | No              | No  | 56   | QFN64   | -40 to +125°C |
| EFM32TG11B140F64IQ64-B  | 64         | 32       | No              | No  | 53   | QFP64   | -40 to +125°C |
| EFM32TG11B120F128GQ48-B | 128        | 32       | No              | No  | 37   | QFP48   | -40 to +85°C  |
| EFM32TG11B120F128IQ48-B | 128        | 32       | No              | No  | 37   | QFP48   | -40 to +125°C |
| EFM32TG11B140F64GQ48-B  | 64         | 32       | No              | No  | 37   | QFP48   | -40 to +85°C  |
| EFM32TG11B140F64IQ48-B  | 64         | 32       | No              | No  | 37   | QFP48   | -40 to +125°C |
| EFM32TG11B120F128GM32-B | 128        | 32       | No              | No  | 24   | QFN32   | -40 to +85°C  |
| EFM32TG11B120F128IM32-B | 128        | 32       | No              | No  | 24   | QFN32   | -40 to +125°C |
| EFM32TG11B140F64GM32-B  | 64         | 32       | No              | No  | 24   | QFN32   | -40 to +85°C  |
| EFM32TG11B140F64IM32-B  | 64         | 32       | No              | No  | 24   | QFN32   | -40 to +125°C |

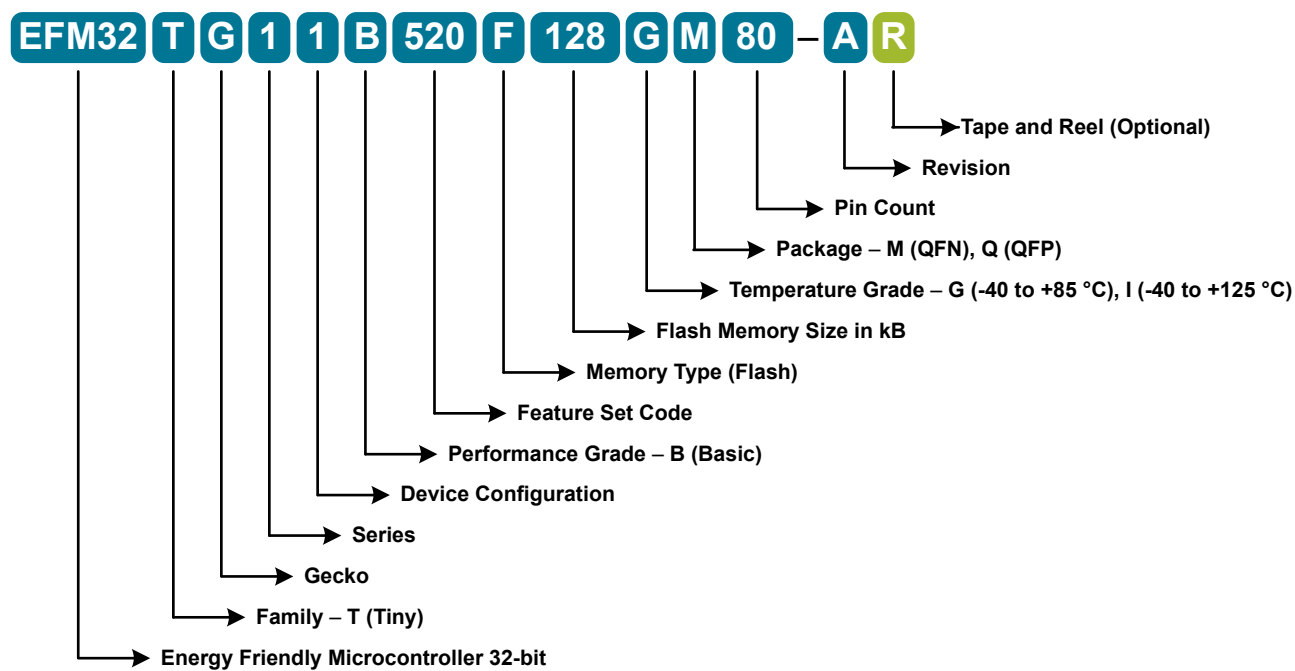


Figure 2.1. Ordering Code Key

# Table of Contents

|                                                                       |           |
|-----------------------------------------------------------------------|-----------|
| <b>1. Feature List</b>                                                | <b>2</b>  |
| <b>2. Ordering Information</b>                                        | <b>4</b>  |
| <b>3. System Overview</b>                                             | <b>10</b> |
| 3.1 Introduction                                                      | 10        |
| 3.2 Power                                                             | 11        |
| 3.2.1 Energy Management Unit (EMU)                                    | 11        |
| 3.2.2 DC-DC Converter                                                 | 11        |
| 3.2.3 EM2 and EM3 Power Domains                                       | 11        |
| 3.3 General Purpose Input/Output (GPIO)                               | 12        |
| 3.4 Clocking                                                          | 12        |
| 3.4.1 Clock Management Unit (CMU)                                     | 12        |
| 3.4.2 Internal and External Oscillators                               | 12        |
| 3.5 Counters/Timers and PWM                                           | 12        |
| 3.5.1 Timer/Counter (TIMER)                                           | 12        |
| 3.5.2 Wide Timer/Counter (WTIMER)                                     | 12        |
| 3.5.3 Real Time Counter and Calendar (RTCC)                           | 12        |
| 3.5.4 Low Energy Timer (LETIMER)                                      | 13        |
| 3.5.5 Ultra Low Power Wake-up Timer (CRYOTIMER)                       | 13        |
| 3.5.6 Pulse Counter (PCNT)                                            | 13        |
| 3.5.7 Watchdog Timer (WDOG)                                           | 13        |
| 3.6 Communications and Other Digital Peripherals                      | 13        |
| 3.6.1 Universal Synchronous/Asynchronous Receiver/Transmitter (USART) | 13        |
| 3.6.2 Universal Asynchronous Receiver/Transmitter (UART)              | 13        |
| 3.6.3 Low Energy Universal Asynchronous Receiver/Transmitter (LEUART) | 13        |
| 3.6.4 Inter-Integrated Circuit Interface (I <sup>2</sup> C)           | 13        |
| 3.6.5 Controller Area Network (CAN)                                   | 14        |
| 3.6.6 Peripheral Reflex System (PRS)                                  | 14        |
| 3.6.7 Low Energy Sensor Interface (LESENSE)                           | 14        |
| 3.7 Security Features                                                 | 14        |
| 3.7.1 GPCRC (General Purpose Cyclic Redundancy Check)                 | 14        |
| 3.7.2 Crypto Accelerator (CRYPTO)                                     | 14        |
| 3.7.3 True Random Number Generator (TRNG)                             | 14        |
| 3.7.4 Security Management Unit (SMU)                                  | 14        |
| 3.8 Analog                                                            | 14        |
| 3.8.1 Analog Port (APORT)                                             | 14        |
| 3.8.2 Analog Comparator (ACMP)                                        | 15        |
| 3.8.3 Analog to Digital Converter (ADC)                               | 15        |
| 3.8.4 Capacitive Sense (CSEN)                                         | 15        |
| 3.8.5 Digital to Analog Converter (VDAC)                              | 15        |
| 3.8.6 Operational Amplifiers                                          | 15        |
| 3.8.7 Liquid Crystal Display Driver (LCD)                             | 15        |
| 3.9 Reset Management Unit (RMU)                                       | 15        |

|           |                                               |            |
|-----------|-----------------------------------------------|------------|
| 3.10      | Core and Memory                               | .16        |
| 3.10.1    | Processor Core                                | .16        |
| 3.10.2    | Memory System Controller (MSC)                | .16        |
| 3.10.3    | Linked Direct Memory Access Controller (LDMA) | .16        |
| 3.10.4    | Bootloader                                    | .16        |
| 3.11      | Memory Map                                    | .17        |
| 3.12      | Configuration Summary                         | .18        |
| <b>4.</b> | <b>Electrical Specifications</b>              | <b>.19</b> |
| 4.1       | Electrical Characteristics                    | .19        |
| 4.1.1     | Absolute Maximum Ratings                      | .19        |
| 4.1.2     | Operating Conditions                          | .20        |
| 4.1.3     | Thermal Characteristics                       | .22        |
| 4.1.4     | DC-DC Converter                               | .23        |
| 4.1.5     | Backup Supply Domain                          | .25        |
| 4.1.6     | Current Consumption                           | .26        |
| 4.1.7     | Wake Up Times                                 | .33        |
| 4.1.8     | Brown Out Detector (BOD)                      | .34        |
| 4.1.9     | Oscillators                                   | .35        |
| 4.1.10    | Flash Memory Characteristics                  | .41        |
| 4.1.11    | General-Purpose I/O (GPIO)                    | .42        |
| 4.1.12    | Voltage Monitor (VMON)                        | .44        |
| 4.1.13    | Analog to Digital Converter (ADC)             | .45        |
| 4.1.14    | Analog Comparator (ACMP)                      | .47        |
| 4.1.15    | Digital to Analog Converter (VDAC)            | .50        |
| 4.1.16    | Capacitive Sense (CSEN)                       | .53        |
| 4.1.17    | Operational Amplifier (OPAMP)                 | .55        |
| 4.1.18    | LCD Driver                                    | .58        |
| 4.1.19    | Pulse Counter (PCNT)                          | .59        |
| 4.1.20    | Analog Port (APORT)                           | .59        |
| 4.1.21    | I2C                                           | .60        |
| 4.1.22    | USART SPI                                     | .63        |
| 4.2       | Typical Performance Curves                    | .64        |
| 4.2.1     | Supply Current                                | .65        |
| 4.2.2     | DC-DC Converter                               | .70        |
| <b>5.</b> | <b>Pin Definitions</b>                        | <b>.72</b> |
| 5.1       | EFM32TG11B5xx in QFP80 Device Pinout          | .72        |
| 5.2       | EFM32TG11B5xx in QFN80 Device Pinout          | .75        |
| 5.3       | EFM32TG11B5xx in QFP64 Device Pinout          | .78        |
| 5.4       | EFM32TG11B3xx in QFP64 Device Pinout          | .80        |
| 5.5       | EFM32TG11B1xx in QFP64 Device Pinout          | .82        |
| 5.6       | EFM32TG11B5xx in QFN64 Device Pinout          | .84        |
| 5.7       | EFM32TG11B3xx in QFN64 Device Pinout          | .86        |
| 5.8       | EFM32TG11B1xx in QFN64 Device Pinout          | .88        |



|            |                                                |             |
|------------|------------------------------------------------|-------------|
| 5.9        | EFM32TG11B5xx in QFP48 Device Pinout . . . . . | .90         |
| 5.10       | EFM32TG11B3xx in QFP48 Device Pinout . . . . . | .92         |
| 5.11       | EFM32TG11B1xx in QFP48 Device Pinout . . . . . | .94         |
| 5.12       | EFM32TG11B5xx in QFN32 Device Pinout . . . . . | .96         |
| 5.13       | EFM32TG11B1xx in QFN32 Device Pinout . . . . . | .98         |
| 5.14       | GPIO Functionality Table . . . . .             | 100         |
| 5.15       | Alternate Functionality Overview . . . . .     | 104         |
| 5.16       | Analog Port (APORT) Client Maps . . . . .      | 115         |
| <b>6.</b>  | <b>TQFP80 Package Specifications . . . . .</b> | <b>.125</b> |
| 6.1        | TQFP80 Package Dimensions . . . . .            | 125         |
| 6.2        | TQFP80 PCB Land Pattern . . . . .              | 127         |
| 6.3        | TQFP80 Package Marking . . . . .               | 128         |
| <b>7.</b>  | <b>QFN80 Package Specifications. . . . .</b>   | <b>129</b>  |
| 7.1        | QFN80 Package Dimensions . . . . .             | 129         |
| 7.2        | QFN80 PCB Land Pattern . . . . .               | 131         |
| 7.3        | QFN80 Package Marking . . . . .                | 133         |
| <b>8.</b>  | <b>TQFP64 Package Specifications . . . . .</b> | <b>.134</b> |
| 8.1        | TQFP64 Package Dimensions . . . . .            | 134         |
| 8.2        | TQFP64 PCB Land Pattern . . . . .              | 136         |
| 8.3        | TQFP64 Package Marking . . . . .               | 137         |
| <b>9.</b>  | <b>QFN64 Package Specifications. . . . .</b>   | <b>138</b>  |
| 9.1        | QFN64 Package Dimensions . . . . .             | 138         |
| 9.2        | QFN64 PCB Land Pattern . . . . .               | 140         |
| 9.3        | QFN64 Package Marking . . . . .                | 142         |
| <b>10.</b> | <b>TQFP48 Package Specifications . . . . .</b> | <b>143</b>  |
| 10.1       | TQFP48 Package Dimensions . . . . .            | 143         |
| 10.2       | TQFP48 PCB Land Pattern . . . . .              | 145         |
| 10.3       | TQFP48 Package Marking . . . . .               | 146         |
| <b>11.</b> | <b>QFN32 Package Specifications . . . . .</b>  | <b>.147</b> |
| 11.1       | QFN32 Package Dimensions. . . . .              | 147         |
| 11.2       | QFN32 PCB Land Pattern. . . . .                | 149         |
| 11.3       | QFN32 Package Marking . . . . .                | 151         |
| <b>12.</b> | <b>Revision History. . . . .</b>               | <b>152</b>  |

### 3. System Overview

#### 3.1 Introduction

The Tiny Gecko Series 1 product family is well suited for any battery operated application as well as other systems requiring high performance and low energy consumption. This section gives a short introduction to the MCU system. The detailed functional description can be found in the Tiny Gecko Series 1 Reference Manual. Any behavior that does not conform to the specifications in this data sheet or the functional descriptions in the Tiny Gecko Series 1 Reference Manual are detailed in the EFM32TG11 Errata document.

A block diagram of the Tiny Gecko Series 1 family is shown in [Figure 3.1 Detailed EFM32TG11 Block Diagram on page 10](#). The diagram shows a superset of features available on the family, which vary by OPN. For more information about specific device features, consult [Ordering Information](#).

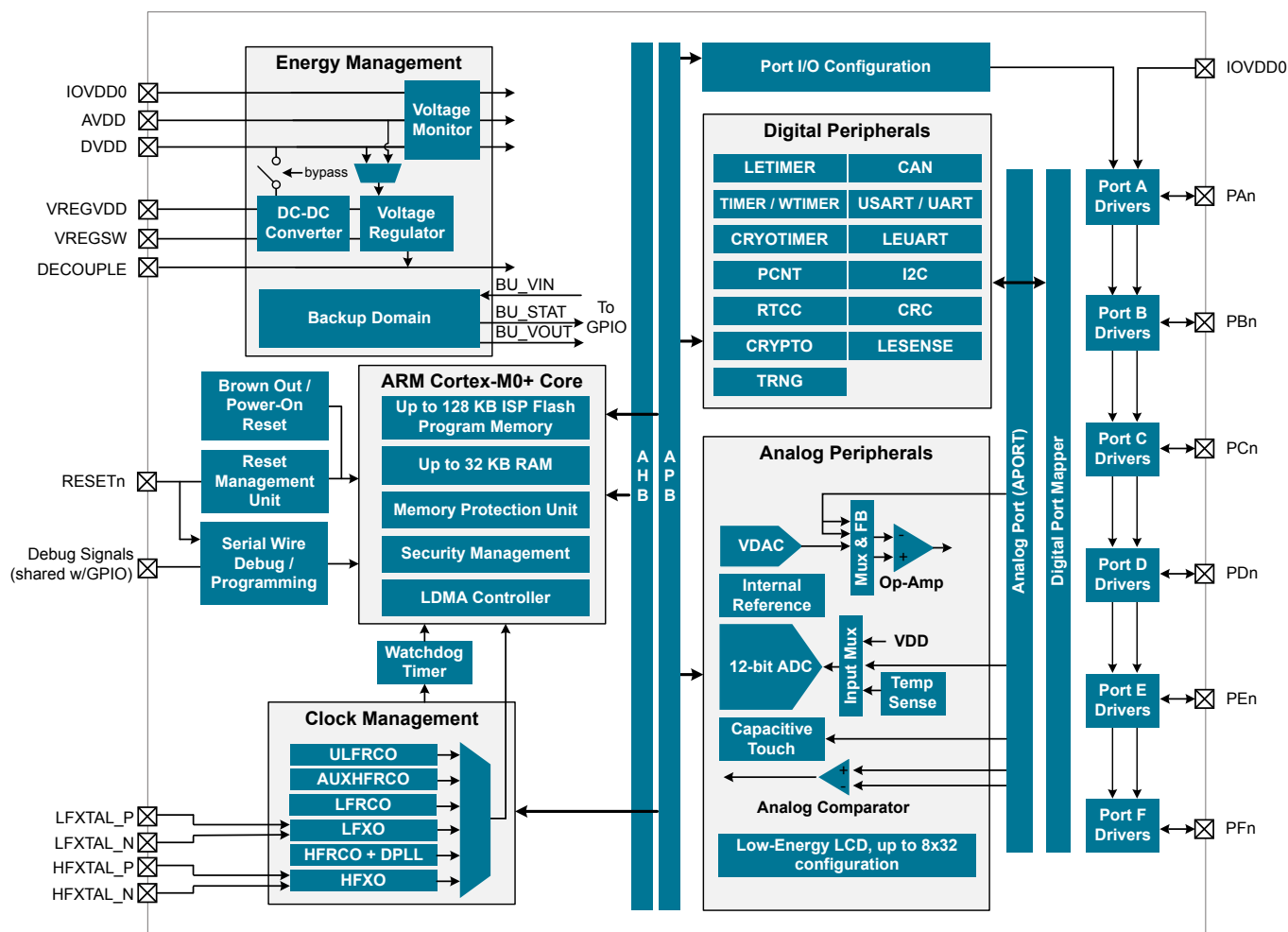


Figure 3.1. Detailed EFM32TG11 Block Diagram

## 3.2 Power

The EFM32TG11 has an Energy Management Unit (EMU) and efficient integrated regulators to generate internal supply voltages. Only a single external supply voltage is required, from which all internal voltages are created. An optional integrated DC-DC buck regulator can be utilized to further reduce the current consumption. The DC-DC regulator requires one external inductor and one external capacitor.

The EFM32TG11 device family includes support for internal supply voltage scaling, as well as two different power domain groups for peripherals. These enhancements allow for further supply current reductions and lower overall power consumption.

AVDD and VREGVDD need to be 1.8 V or higher for the MCU to operate across all conditions; however the rest of the system will operate down to 1.62 V, including the digital supply and I/O. This means that the device is fully compatible with 1.8 V components. Running from a sufficiently high supply, the device can use the DC-DC to regulate voltage not only for itself, but also for other PCB components, supplying up to a total of 200 mA.

### 3.2.1 Energy Management Unit (EMU)

The Energy Management Unit manages transitions of energy modes in the device. Each energy mode defines which peripherals and features are available and the amount of current the device consumes. The EMU can also be used to turn off the power to unused RAM blocks, and it contains control registers for the DC-DC regulator and the Voltage Monitor (VMON). The VMON is used to monitor multiple supply voltages. It has multiple channels which can be programmed individually by the user to determine if a sensed supply has fallen below a chosen threshold.

### 3.2.2 DC-DC Converter

The DC-DC buck converter covers a wide range of load currents and provides up to 90% efficiency in energy modes EM0, EM1, EM2 and EM3, and can supply up to 200 mA to the device and surrounding PCB components. Protection features include programmable current limiting, short-circuit protection, and dead-time protection. The DC-DC converter may also enter bypass mode when the input voltage is too low for efficient operation. In bypass mode, the DC-DC input supply is internally connected directly to its output through a low resistance switch. Bypass mode also supports in-rush current limiting to prevent input supply voltage droops due to excessive output current transients.

### 3.2.3 EM2 and EM3 Power Domains

The EFM32TG11 has three independent peripheral power domains for use in EM2 and EM3. Two of these domains are dynamic and can be shut down to save energy. Peripherals associated with the two dynamic power domains are listed in [Table 3.1 EM2 and EM3 Peripheral Power Subdomains on page 11](#). If all of the peripherals in a peripheral power domain are unused, the power domain for that group will be powered off in EM2 and EM3, reducing the overall current consumption of the device. Other EM2, EM3, and EM4-capable peripherals and functions not listed in the table below reside on the primary power domain, which is always on in EM2 and EM3.

**Table 3.1. EM2 and EM3 Peripheral Power Subdomains**

| Peripheral Power Domain 1 | Peripheral Power Domain 2 |
|---------------------------|---------------------------|
| ACMP0                     | ACMP1                     |
| PCNT0                     | CSEN                      |
| ADC0                      | VDAC0                     |
| LETIMER0                  | LEUART0                   |
| LESENSE                   | I2C0                      |
| APOINT                    | I2C1                      |
| -                         | IDAC                      |
| -                         | LCD                       |

### 3.3 General Purpose Input/Output (GPIO)

EFM32TG11 has up to 67 General Purpose Input/Output pins. Each GPIO pin can be individually configured as either an output or input. More advanced configurations including open-drain, open-source, and glitch-filtering can be configured for each individual GPIO pin. The GPIO pins can be overridden by peripheral connections, like SPI communication. Each peripheral connection can be routed to several GPIO pins on the device. The input value of a GPIO pin can be routed through the Peripheral Reflex System to other peripherals. The GPIO subsystem supports asynchronous external pin interrupts.

### 3.4 Clocking

#### 3.4.1 Clock Management Unit (CMU)

The Clock Management Unit controls oscillators and clocks in the EFM32TG11. Individual enabling and disabling of clocks to all peripherals is performed by the CMU. The CMU also controls enabling and configuration of the oscillators. A high degree of flexibility allows software to optimize energy consumption in any specific application by minimizing power dissipation in unused peripherals and oscillators.

#### 3.4.2 Internal and External Oscillators

The EFM32TG11 supports two crystal oscillators and fully integrates four RC oscillators, listed below.

- A high frequency crystal oscillator (HFXO) with integrated load capacitors, tunable in small steps, provides a precise timing reference for the MCU. Crystal frequencies in the range from 4 to 48 MHz are supported. An external clock source such as a TCXO can also be applied to the HFXO input for improved accuracy over temperature.
- A 32.768 kHz crystal oscillator (LFXO) provides an accurate timing reference for low energy modes.
- An integrated high frequency RC oscillator (HFRCO) is available for the MCU system. The HFRCO employs fast startup at minimal energy consumption combined with a wide frequency range. When crystal accuracy is not required, it can be operated in free-running mode at a number of factory-calibrated frequencies. A digital phase-locked loop (DPLL) feature allows the HFRCO to achieve higher accuracy and stability by referencing other available clock sources such as LFXO and HFXO.
- An integrated auxiliary high frequency RC oscillator (AUXHFRCO) is available for timing the general-purpose ADC with a wide frequency range.
- An integrated low frequency 32.768 kHz RC oscillator (LFRCO) can be used as a timing reference in low energy modes, when crystal accuracy is not required.
- An integrated ultra-low frequency 1 kHz RC oscillator (ULFRCO) is available to provide a timing reference at the lowest energy consumption in low energy modes.

### 3.5 Counters/Timers and PWM

#### 3.5.1 Timer/Counter (TIMER)

TIMER peripherals keep track of timing, count events, generate PWM outputs and trigger timed actions in other peripherals through the PRS system. The core of each TIMER is a 16-bit counter with up to 4 compare/capture channels. Each channel is configurable in one of three modes. In capture mode, the counter state is stored in a buffer at a selected input event. In compare mode, the channel output reflects the comparison of the counter to a programmed threshold value. In PWM mode, the TIMER supports generation of pulse-width modulation (PWM) outputs of arbitrary waveforms defined by the sequence of values written to the compare registers, with optional dead-time insertion available in timer unit TIMER\_0 only.

#### 3.5.2 Wide Timer/Counter (WTIMER)

WTIMER peripherals function just as TIMER peripherals, but are 32 bits wide. They keep track of timing, count events, generate PWM outputs and trigger timed actions in other peripherals through the PRS system. The core of each WTIMER is a 32-bit counter with up to 4 compare/capture channels. Each channel is configurable in one of three modes. In capture mode, the counter state is stored in a buffer at a selected input event. In compare mode, the channel output reflects the comparison of the counter to a programmed threshold value. In PWM mode, the WTIMER supports generation of pulse-width modulation (PWM) outputs of arbitrary waveforms defined by the sequence of values written to the compare registers, with optional dead-time insertion available in timer unit WTIMER\_0 only.

#### 3.5.3 Real Time Counter and Calendar (RTCC)

The Real Time Counter and Calendar (RTCC) is a 32-bit counter providing timekeeping in all energy modes. The RTCC includes a Binary Coded Decimal (BCD) calendar mode for easy time and date keeping. The RTCC can be clocked by any of the on-board oscillators with the exception of the AUXHFRCO, and it is capable of providing system wake-up at user defined instances. The RTCC includes 128 bytes of general purpose data retention, allowing easy and convenient data storage in all energy modes down to EM4H.

### 3.5.4 Low Energy Timer (LETIMER)

The unique LETIMER is a 16-bit timer that is available in energy mode EM2 Deep Sleep in addition to EM1 Sleep and EM0 Active. This allows it to be used for timing and output generation when most of the device is powered down, allowing simple tasks to be performed while the power consumption of the system is kept at an absolute minimum. The LETIMER can be used to output a variety of waveforms with minimal software intervention. The LETIMER is connected to the Real Time Counter and Calendar (RTCC), and can be configured to start counting on compare matches from the RTCC.

### 3.5.5 Ultra Low Power Wake-up Timer (CRYOTIMER)

The CRYOTIMER is a 32-bit counter that is capable of running in all energy modes. It can be clocked by either the 32.768 kHz crystal oscillator (LFXO), the 32.768 kHz RC oscillator (LFRCO), or the 1 kHz RC oscillator (ULFRCO). It can provide periodic Wakeup events and PRS signals which can be used to wake up peripherals from any energy mode. The CRYOTIMER provides a wide range of interrupt periods, facilitating flexible ultra-low energy operation.

### 3.5.6 Pulse Counter (PCNT)

The Pulse Counter (PCNT) peripheral can be used for counting pulses on a single input or to decode quadrature encoded inputs. The clock for PCNT is selectable from either an external source on pin PCTNn\_S0IN or from an internal timing reference, selectable from among any of the internal oscillators, except the AUXHFRCO. The peripheral may operate in energy mode EM0 Active, EM1 Sleep, EM2 Deep Sleep, and EM3 Stop.

### 3.5.7 Watchdog Timer (WDOG)

The watchdog timer can act both as an independent watchdog or as a watchdog synchronous with the CPU clock. It has windowed monitoring capabilities, and can generate a reset or different interrupts depending on the failure mode of the system. The watchdog can also monitor autonomous systems driven by PRS.

## 3.6 Communications and Other Digital Peripherals

### 3.6.1 Universal Synchronous/Asynchronous Receiver/Transmitter (USART)

The Universal Synchronous/Asynchronous Receiver/Transmitter is a flexible serial I/O interface. It supports full duplex asynchronous UART communication with hardware flow control as well as RS-485, SPI, MicroWire and 3-wire. It can also interface with devices supporting:

- ISO7816 SmartCards
- IrDA
- I<sup>2</sup>S

### 3.6.2 Universal Asynchronous Receiver/Transmitter (UART)

The Universal Asynchronous Receiver/Transmitter is a subset of the USART peripheral, supporting full duplex asynchronous UART communication with hardware flow control and RS-485.

### 3.6.3 Low Energy Universal Asynchronous Receiver/Transmitter (LEUART)

The unique LEUART<sup>TM</sup> provides two-way UART communication on a strict power budget. Only a 32.768 kHz clock is needed to allow UART communication up to 9600 baud. The LEUART includes all necessary hardware to make asynchronous serial communication possible with a minimum of software intervention and energy consumption.

### 3.6.4 Inter-Integrated Circuit Interface (I<sup>2</sup>C)

The I<sup>2</sup>C interface enables communication between the MCU and a serial I<sup>2</sup>C bus. It is capable of acting as both a master and a slave and supports multi-master buses. Standard-mode, fast-mode and fast-mode plus speeds are supported, allowing transmission rates from 10 kbit/s up to 1 Mbit/s. Slave arbitration and timeouts are also available, allowing implementation of an SMBus-compliant system. The interface provided to software by the I<sup>2</sup>C peripheral allows precise timing control of the transmission process and highly automated transfers. Automatic recognition of slave addresses is provided in active and low energy modes.

### 3.6.5 Controller Area Network (CAN)

The CAN peripheral provides support for communication at up to 1 Mbps over CAN protocol version 2.0 part A and B. It includes 32 message objects with independent identifier masks and retains message RAM in EM2. Automatic retransmission may be disabled in order to support Time Triggered CAN applications.

### 3.6.6 Peripheral Reflex System (PRS)

The Peripheral Reflex System provides a communication network between different peripherals without software involvement. Peripherals producing Reflex signals are called producers. The PRS routes Reflex signals from producers to consumer peripherals, which in turn perform actions in response. Edge triggers and other functionality such as simple logic operations (AND, OR, NOT) can be applied by the PRS to the signals. The PRS allows peripheral to act autonomously without waking the MCU core, saving power.

### 3.6.7 Low Energy Sensor Interface (LESENSE)

The Low Energy Sensor Interface LESENSE™ is a highly configurable sensor interface with support for up to 16 individually configurable sensors. By controlling the analog comparators, ADC, and DAC, LESENSE is capable of supporting a wide range of sensors and measurement schemes, and can for instance measure LC sensors, resistive sensors and capacitive sensors. LESENSE also includes a programmable finite state machine which enables simple processing of measurement results without CPU intervention. LESENSE is available in energy mode EM2, in addition to EM0 and EM1, making it ideal for sensor monitoring in applications with a strict energy budget.

## 3.7 Security Features

### 3.7.1 GPCRC (General Purpose Cyclic Redundancy Check)

The GPCRC block implements a Cyclic Redundancy Check (CRC) function. It supports both 32-bit and 16-bit polynomials. The supported 32-bit polynomial is 0x04C11DB7 (IEEE 802.3), while the 16-bit polynomial can be programmed to any value, depending on the needs of the application.

### 3.7.2 Crypto Accelerator (CRYPTO)

The Crypto Accelerator is a fast and energy-efficient autonomous hardware encryption and decryption accelerator. Tiny Gecko Series 1 devices support AES encryption and decryption with 128- or 256-bit keys, ECC over both GF(P) and GF(2<sup>m</sup>), and SHA-1 and SHA-2 (SHA-224 and SHA-256).

Supported block cipher modes of operation for AES include: ECB, CTR, CBC, PCBC, CFB, OFB, GCM, CBC-MAC, GMAC and CCM.

Supported ECC NIST recommended curves include P-192, P-224, P-256, K-163, K-233, B-163 and B-233.

The CRYPTO peripheral allows fast processing of GCM (AES), ECC and SHA with little CPU intervention. CRYPTO also provides trigger signals for DMA read and write operations.

### 3.7.3 True Random Number Generator (TRNG)

The TRNG is a non-deterministic random number generator based on a full hardware solution. The TRNG is validated with NIST800-22 and AIS-31 test suites as well as being suitable for FIPS 140-2 certification (for the purposes of cryptographic key generation).

### 3.7.4 Security Management Unit (SMU)

The Security Management Unit (SMU) allows software to set up fine-grained security for peripheral access, which is not possible in the Memory Protection Unit (MPU). Peripherals may be secured by hardware on an individual basis, such that only privileged accesses to the peripheral's register interface will be allowed. When an access fault occurs, the SMU reports the specific peripheral involved and can optionally generate an interrupt.

## 3.8 Analog

### 3.8.1 Analog Port (APORT)

The Analog Port (APORT) is an analog interconnect matrix allowing access to many analog peripherals on a flexible selection of pins. Each APORT bus consists of analog switches connected to a common wire. Since many clients can operate differentially, buses are grouped by X/Y pairs.

### 3.8.2 Analog Comparator (ACMP)

The Analog Comparator is used to compare the voltage of two analog inputs, with a digital output indicating which input voltage is higher. Inputs are selected from among internal references and external pins. The tradeoff between response time and current consumption is configurable by software. Two 6-bit reference dividers allow for a wide range of internally-programmable reference sources. The ACMP can also be used to monitor the supply voltage. An interrupt can be generated when the supply falls below or rises above the programmable threshold.

### 3.8.3 Analog to Digital Converter (ADC)

The ADC is a Successive Approximation Register (SAR) architecture, with a resolution of up to 12 bits at up to 1 Msps. The output sample resolution is configurable and additional resolution is possible using integrated hardware for averaging over multiple samples. The ADC includes integrated voltage references and an integrated temperature sensor. Inputs are selectable from a wide range of sources, including pins configurable as either single-ended or differential.

### 3.8.4 Capacitive Sense (CSEN)

The CSEN peripheral is a dedicated Capacitive Sensing block for implementing touch-sensitive user interface elements such as switches and sliders. The CSEN peripheral uses a charge ramping measurement technique, which provides robust sensing even in adverse conditions including radiated noise and moisture. The peripheral can be configured to take measurements on a single port pin or scan through multiple pins and store results to memory through DMA. Several channels can also be shorted together to measure the combined capacitance or implement wake-on-touch from very low energy modes. Hardware includes a digital accumulator and an averaging filter, as well as digital threshold comparators to reduce software overhead.

### 3.8.5 Digital to Analog Converter (VDAC)

The Digital to Analog Converter (VDAC) can convert a digital value to an analog output voltage. The VDAC is a fully differential, 500 ksp/s, 12-bit converter. The opamps are used in conjunction with the VDAC, to provide output buffering. One opamp is used per single-ended channel, or two opamps are used to provide differential outputs. The VDAC may be used for a number of different applications such as sensor interfaces or sound output. The VDAC can generate high-resolution analog signals while the MCU is operating at low frequencies and with low total power consumption. Using DMA and a timer, the VDAC can be used to generate waveforms without any CPU intervention. The VDAC is available in all energy modes down to and including EM3.

### 3.8.6 Operational Amplifiers

The opamps are low power amplifiers with a high degree of flexibility targeting a wide variety of standard opamp application areas, and are available down to EM3. With flexible built-in programming for gain and interconnection they can be configured to support multiple common opamp functions. All pins are also available externally for filter configurations. Each opamp has a rail to rail input and a rail to rail output. They can be used in conjunction with the VDAC peripheral or in stand-alone configurations. The opamps save energy, PCB space, and cost as compared with standalone opamps because they are integrated on-chip.

### 3.8.7 Liquid Crystal Display Driver (LCD)

The LCD driver is capable of driving a segmented LCD display with up to 8x32 segments. A voltage boost function enables it to provide the LCD display with higher voltage than the supply voltage for the device. A patented charge redistribution driver can reduce the LCD peripheral supply current by up to 40%. In addition, an animation feature can run custom animations on the LCD display without any CPU intervention. The LCD driver can also remain active even in Energy Mode 2 and provides a Frame Counter interrupt that can wake-up the device on a regular basis for updating data.

## 3.9 Reset Management Unit (RMU)

The RMU is responsible for handling reset of the EFM32TG11. A wide range of reset sources are available, including several power supply monitors, pin reset, software controlled reset, core lockup reset, and watchdog reset.



## 3.10 Core and Memory

### 3.10.1 Processor Core

The ARM Cortex-M processor includes a 32-bit RISC processor integrating the following features and tasks in the system:

- ARM Cortex-M0+ RISC processor
- Memory Protection Unit (MPU) supporting up to 8 memory segments
- Micro-Trace Buffer (MTB)
- Up to 128 kB flash program memory
- Up to 32 kB RAM data memory
- Configuration and event handling of all peripherals
- 2-pin Serial-Wire debug interface

### 3.10.2 Memory System Controller (MSC)

The Memory System Controller (MSC) is the program memory unit of the microcontroller. The flash memory is readable and writable from both the Cortex-M and DMA. The flash memory is divided into two blocks; the main block and the information block. Program code is normally written to the main block, whereas the information block is available for special user data and flash lock bits. There is also a read-only page in the information block containing system and device calibration data. Read and write operations are supported in energy modes EM0 Active and EM1 Sleep.

### 3.10.3 Linked Direct Memory Access Controller (LDMA)

The Linked Direct Memory Access (LDMA) controller allows the system to perform memory operations independently of software. This reduces both energy consumption and software workload. The LDMA allows operations to be linked together and staged, enabling sophisticated operations to be implemented.

### 3.10.4 Bootloader

All devices come pre-programmed with a UART bootloader. This bootloader resides in flash and can be erased if it is not needed. More information about the bootloader protocol and usage can be found in *AN0003: UART Bootloader*. Application notes can be found on the Silicon Labs website ([www.silabs.com/32bit-appnotes](http://www.silabs.com/32bit-appnotes)) or within Simplicity Studio in the **[Documentation]** area.







Figure 3.3. EFM32TG11 Memory Map — Peripherals

### 3.12 Configuration Summary

The features of the EFM32TG11 are a subset of the feature set described in the device reference manual. The table below describes device specific implementation of the features. Remaining peripherals support full configuration.

Table 3.2. Configuration Summary

| Peripheral | Configuration               | Pin Connections                 |
|------------|-----------------------------|---------------------------------|
| USART0     | IrDA, SmartCard             | US0_TX, US0_RX, US0_CLK, US0_CS |
| USART1     | I <sup>2</sup> S, SmartCard | US1_TX, US1_RX, US1_CLK, US1_CS |
| USART2     | IrDA, SmartCard, High-Speed | US2_TX, US2_RX, US2_CLK, US2_CS |
| USART3     | I <sup>2</sup> S, SmartCard | US3_TX, US3_RX, US3_CLK, US3_CS |
| TIMER0     | with DTI                    | TIM0_CC[2:0], TIM0_CDTI[2:0]    |
| TIMER1     | -                           | TIM1_CC[3:0]                    |
| WTIMER0    | with DTI                    | WTIM0_CC[2:0], WTIM0_CDTI[2:0]  |
| WTIMER1    | -                           | WTIM1_CC[3:0]                   |

## 4. Electrical Specifications

### 4.1 Electrical Characteristics

All electrical parameters in all tables are specified under the following conditions, unless stated otherwise:

- Typical values are based on  $T_{AMB}=25\text{ }^{\circ}\text{C}$  and  $V_{DD}=3.3\text{ V}$ , by production test and/or technology characterization.
- Minimum and maximum values represent the worst conditions across supply voltage, process variation, and operating temperature, unless stated otherwise.

Refer to [4.1.2.1 General Operating Conditions](#) for more details about operational supply and temperature limits.

#### 4.1.1 Absolute Maximum Ratings

Stresses above those listed below may cause permanent damage to the device. This is a stress rating only and functional operation of the devices at those or any other conditions above those indicated in the operation listings of this specification is not implied. Exposure to maximum rating conditions for extended periods may affect device reliability. For more information on the available quality and reliability data, see the Quality and Reliability Monitor Report at <http://www.silabs.com/support/quality/pages/default.aspx>.

**Table 4.1. Absolute Maximum Ratings**

| Parameter                           | Symbol          | Test Condition                         | Min  | Typ | Max                      | Unit               |
|-------------------------------------|-----------------|----------------------------------------|------|-----|--------------------------|--------------------|
| Storage temperature range           | $T_{STG}$       |                                        | -50  | —   | 150                      | $^{\circ}\text{C}$ |
| Voltage on any supply pin           | $V_{DDMAX}$     |                                        | -0.3 | —   | 3.8                      | V                  |
| Voltage ramp rate on any supply pin | $V_{DDRAMPMAX}$ |                                        | —    | —   | 1                        | V / $\mu\text{s}$  |
| DC voltage on any GPIO pin          | $V_{DIGPIN}$    | 5V tolerant GPIO pins <sup>1 2 3</sup> | -0.3 | —   | Min of 5.25 and IOVDD +2 | V                  |
|                                     |                 | LCD pins <sup>3</sup>                  | -0.3 | —   | Min of 3.8 and IOVDD +2  | V                  |
|                                     |                 | Standard GPIO pins                     | -0.3 | —   | IOVDD+0.3                | V                  |
| Total current into VDD power lines  | $I_{VDDMAX}$    | Source                                 | —    | —   | 200                      | mA                 |
| Total current into VSS ground lines | $I_{VSSMAX}$    | Sink                                   | —    | —   | 200                      | mA                 |
| Current per I/O pin                 | $I_{IOMAX}$     | Sink                                   | —    | —   | 50                       | mA                 |
|                                     |                 | Source                                 | —    | —   | 50                       | mA                 |
| Current for all I/O pins            | $I_{IOALLMAX}$  | Sink                                   | —    | —   | 200                      | mA                 |
|                                     |                 | Source                                 | —    | —   | 200                      | mA                 |
| Junction temperature                | $T_J$           | -G grade devices                       | -40  | —   | 105                      | $^{\circ}\text{C}$ |
|                                     |                 | -I grade devices                       | -40  | —   | 125                      | $^{\circ}\text{C}$ |

**Note:**

1. When a GPIO pin is routed to the analog block through the APORT, the maximum voltage = IOVDD.
2. Valid for IOVDD in valid operating range or when IOVDD is undriven (high-Z). If IOVDD is connected to a low-impedance source below the valid operating range (e.g. IOVDD shorted to VSS), the pin voltage maximum is IOVDD + 0.3 V, to avoid exceeding the maximum IO current specifications.
3. To operate above the IOVDD supply rail, over-voltage tolerance must be enabled according to the GPIO\_Px\_OVTDIS register. Pins with over-voltage tolerance disabled have the same limits as Standard GPIO.

#### 4.1.2 Operating Conditions

When assigning supply sources, the following requirements must be observed:

- VREGVDD must be greater than or equal to AVDD, DVDD and all IOVDD supplies.
- VREGVDD = AVDD
- DVDD  $\leq$  AVDD
- IOVDD  $\leq$  AVDD

#### 4.1.2.1 General Operating Conditions

Table 4.2. General Operating Conditions

| Parameter                                        | Symbol                 | Test Condition                                      | Min  | Typ | Max                  | Unit |
|--------------------------------------------------|------------------------|-----------------------------------------------------|------|-----|----------------------|------|
| Operating ambient temperature range <sup>1</sup> | T <sub>A</sub>         | -G temperature grade                                | -40  | 25  | 85                   | °C   |
|                                                  |                        | -I temperature grade                                | -40  | 25  | 125                  | °C   |
| AVDD supply voltage <sup>2</sup>                 | V <sub>AVDD</sub>      |                                                     | 1.8  | 3.3 | 3.8                  | V    |
| VREGVDD operating supply voltage <sup>2 3</sup>  | V <sub>VREGVDD</sub>   | DCDC in regulation                                  | 2.4  | 3.3 | 3.8                  | V    |
|                                                  |                        | DCDC in bypass, 50mA load                           | 1.8  | 3.3 | 3.8                  | V    |
|                                                  |                        | DCDC not in use. DVDD externally shorted to VREGVDD | 1.8  | 3.3 | 3.8                  | V    |
| VREGVDD current                                  | I <sub>VREGVDD</sub>   | DCDC in bypass, T ≤ 85 °C                           | —    | —   | 200                  | mA   |
|                                                  |                        | DCDC in bypass, T > 85 °C                           | —    | —   | 100                  | mA   |
| DVDD operating supply voltage                    | V <sub>DVDD</sub>      |                                                     | 1.62 | —   | V <sub>VREGVDD</sub> | V    |
| IOVDD operating supply voltage                   | V <sub>IOVDD</sub>     | All IOVDD pins <sup>4</sup>                         | 1.62 | —   | V <sub>VREGVDD</sub> | V    |
| DECOUPLE output capacitor <sup>5 6</sup>         | C <sub>DECOUPLE</sub>  |                                                     | 0.75 | 1.0 | 2.75                 | μF   |
| HFCORECLK frequency                              | f <sub>CORE</sub>      | VSCALE2, MODE = WS1                                 | —    | —   | 48                   | MHz  |
|                                                  |                        | VSCALE2, MODE = WS0                                 | —    | —   | 25                   | MHz  |
|                                                  |                        | VSCALE0, MODE = WS1                                 | —    | —   | 20                   | MHz  |
|                                                  |                        | VSCALE0, MODE = WS0                                 | —    | —   | 10                   | MHz  |
| HFCLK frequency                                  | f <sub>HFCLK</sub>     | VSCALE2                                             | —    | —   | 48                   | MHz  |
|                                                  |                        | VSCALE0                                             | —    | —   | 20                   | MHz  |
| HFSRCCLK frequency                               | f <sub>HFSRCCLK</sub>  | VSCALE2                                             | —    | —   | 48                   | MHz  |
|                                                  |                        | VSCALE0                                             | —    | —   | 20                   | MHz  |
| HFBUSCLK frequency                               | f <sub>HFBUSCLK</sub>  | VSCALE2                                             | —    | —   | 48                   | MHz  |
|                                                  |                        | VSCALE0                                             | —    | —   | 20                   | MHz  |
| HFPERCLK frequency                               | f <sub>HFPERCLK</sub>  | VSCALE2                                             | —    | —   | 48                   | MHz  |
|                                                  |                        | VSCALE0                                             | —    | —   | 20                   | MHz  |
| HFPERBCLK frequency                              | f <sub>HFPERBCLK</sub> | VSCALE2                                             | —    | —   | 48                   | MHz  |
|                                                  |                        | VSCALE0                                             | —    | —   | 20                   | MHz  |
| HFPERCCLK frequency                              | f <sub>HFPERCCLK</sub> | VSCALE2                                             | —    | —   | 48                   | MHz  |
|                                                  |                        | VSCALE0                                             | —    | —   | 20                   | MHz  |

| Parameter                                                                                                                                                                                                                                                                                                                                | Symbol | Test Condition | Min | Typ | Max | Unit |
|------------------------------------------------------------------------------------------------------------------------------------------------------------------------------------------------------------------------------------------------------------------------------------------------------------------------------------------|--------|----------------|-----|-----|-----|------|
| <b>Note:</b>                                                                                                                                                                                                                                                                                                                             |        |                |     |     |     |      |
| 1. The maximum limit on $T_A$ may be lower due to device self-heating, which depends on the power dissipation of the specific application. $T_A$ (max) = $T_J$ (max) - ( $\theta_{JA} \times \text{PowerDissipation}$ ). Refer to the Absolute Maximum Ratings table and the Thermal Characteristics table for $T_J$ and $\theta_{JA}$ . |        |                |     |     |     |      |
| 2. VREGVDD must be tied to AVDD. Both VREGVDD and AVDD minimum voltages must be satisfied for the part to operate.                                                                                                                                                                                                                       |        |                |     |     |     |      |
| 3. The minimum voltage required in bypass mode is calculated using $R_{BYP}$ from the DCDC specification table. Requirements for other loads can be calculated as $V_{DVDD\_min} + I_{LOAD} * R_{BYP\_max}$ .                                                                                                                            |        |                |     |     |     |      |
| 4. When the CSEN peripheral is used with chopping enabled (CSEN_CTRL_CHOPEN = ENABLE), IOVDD must be equal to AVDD.                                                                                                                                                                                                                      |        |                |     |     |     |      |
| 5. The system designer should consult the characteristic specs of the capacitor used on DECOUPLE to ensure its capacitance value stays within the specified bounds across temperature and DC bias.                                                                                                                                       |        |                |     |     |     |      |
| 6. VSCALE0 to VSCALE2 voltage change transitions occur at a rate of 10 mV / usec for approximately 20 usec. During this transition, peak currents will be dependent on the value of the DECOUPLE output capacitor, from 35 mA (with a 1 $\mu$ F capacitor) to 70 mA (with a 2.7 $\mu$ F capacitor).                                      |        |                |     |     |     |      |

### 4.1.3 Thermal Characteristics

**Table 4.3. Thermal Characteristics**

| Parameter                          | Symbol                | Test Condition                    | Min | Typ  | Max | Unit                 |
|------------------------------------|-----------------------|-----------------------------------|-----|------|-----|----------------------|
| Thermal resistance, QFN32 Package  | $\theta_{JA\_QFN32}$  | 4-Layer PCB, Air velocity = 0 m/s | —   | 25.7 | —   | $^{\circ}\text{C/W}$ |
|                                    |                       | 4-Layer PCB, Air velocity = 1 m/s | —   | 23.2 | —   | $^{\circ}\text{C/W}$ |
|                                    |                       | 4-Layer PCB, Air velocity = 2 m/s | —   | 21.3 | —   | $^{\circ}\text{C/W}$ |
| Thermal resistance, TQFP48 Package | $\theta_{JA\_TQFP48}$ | 4-Layer PCB, Air velocity = 0 m/s | —   | 44.1 | —   | $^{\circ}\text{C/W}$ |
|                                    |                       | 4-Layer PCB, Air velocity = 1 m/s | —   | 43.5 | —   | $^{\circ}\text{C/W}$ |
|                                    |                       | 4-Layer PCB, Air velocity = 2 m/s | —   | 42.3 | —   | $^{\circ}\text{C/W}$ |
| Thermal resistance, QFN64 Package  | $\theta_{JA\_QFN64}$  | 4-Layer PCB, Air velocity = 0 m/s | —   | 20.9 | —   | $^{\circ}\text{C/W}$ |
|                                    |                       | 4-Layer PCB, Air velocity = 1 m/s | —   | 18.2 | —   | $^{\circ}\text{C/W}$ |
|                                    |                       | 4-Layer PCB, Air velocity = 2 m/s | —   | 16.4 | —   | $^{\circ}\text{C/W}$ |
| Thermal resistance, TQFP64 Package | $\theta_{JA\_TQFP64}$ | 4-Layer PCB, Air velocity = 0 m/s | —   | 37.3 | —   | $^{\circ}\text{C/W}$ |
|                                    |                       | 4-Layer PCB, Air velocity = 1 m/s | —   | 35.6 | —   | $^{\circ}\text{C/W}$ |
|                                    |                       | 4-Layer PCB, Air velocity = 2 m/s | —   | 33.8 | —   | $^{\circ}\text{C/W}$ |
| Thermal resistance, QFN80 Package  | $\theta_{JA\_QFN80}$  | 4-Layer PCB, Air velocity = 0 m/s | —   | 20.9 | —   | $^{\circ}\text{C/W}$ |
|                                    |                       | 4-Layer PCB, Air velocity = 1 m/s | —   | 18.2 | —   | $^{\circ}\text{C/W}$ |
|                                    |                       | 4-Layer PCB, Air velocity = 2 m/s | —   | 16.4 | —   | $^{\circ}\text{C/W}$ |
| Thermal resistance, TQFP80 Package | $\theta_{JA\_TQFP80}$ | 4-Layer PCB, Air velocity = 0 m/s | —   | 49.3 | —   | $^{\circ}\text{C/W}$ |
|                                    |                       | 4-Layer PCB, Air velocity = 1 m/s | —   | 44.5 | —   | $^{\circ}\text{C/W}$ |
|                                    |                       | 4-Layer PCB, Air velocity = 2 m/s | —   | 42.6 | —   | $^{\circ}\text{C/W}$ |

#### 4.1.4 DC-DC Converter

Test conditions: L\_DCDC=4.7  $\mu$ H (Murata LQH3NPN4R7MM0L), C\_DCDC=4.7  $\mu$ F (Samsung CL10B475KQ8NQNC), V\_DCDC\_I=3.3 V, V\_DCDC\_O=1.8 V, I\_DCDC\_LOAD=50 mA, Heavy Drive configuration, F\_DCDC\_LN=7 MHz, unless otherwise indicated.

**Table 4.4. DC-DC Converter**

| Parameter                                      | Symbol              | Test Condition                                                                                                                           | Min  | Typ | Max                      | Unit             |
|------------------------------------------------|---------------------|------------------------------------------------------------------------------------------------------------------------------------------|------|-----|--------------------------|------------------|
| Input voltage range                            | V <sub>DCDC_I</sub> | Bypass mode, I <sub>DCDC_LOAD</sub> = 50 mA                                                                                              | 1.8  | —   | V <sub>VREGVDD_MAX</sub> | V                |
|                                                |                     | Low noise (LN) mode, 1.8 V output, I <sub>DCDC_LOAD</sub> = 100 mA, or Low power (LP) mode, 1.8 V output, I <sub>DCDC_LOAD</sub> = 10 mA | 2.4  | —   | V <sub>VREGVDD_MAX</sub> | V                |
|                                                |                     | Low noise (LN) mode, 1.8 V output, I <sub>DCDC_LOAD</sub> = 200 mA                                                                       | 2.6  | —   | V <sub>VREGVDD_MAX</sub> | V                |
| Output voltage programmable range <sup>1</sup> | V <sub>DCDC_O</sub> |                                                                                                                                          | 1.8  | —   | V <sub>VREGVDD</sub>     | V                |
| Regulation DC accuracy                         | ACC <sub>DC</sub>   | Low Noise (LN) mode, 1.8 V target output                                                                                                 | 1.7  | —   | 1.9                      | V                |
| Regulation window <sup>2</sup>                 | WIN <sub>REG</sub>  | Low Power (LP) mode, LPCMPBIASEM <sub>xx</sub> <sup>3</sup> = 0, 1.8 V target output, I <sub>DCDC_LOAD</sub> $\leq$ 75 $\mu$ A           | 1.63 | —   | 2.2                      | V                |
|                                                |                     | Low Power (LP) mode, LPCMPBIASEM <sub>xx</sub> <sup>3</sup> = 3, 1.8 V target output, I <sub>DCDC_LOAD</sub> $\leq$ 10 mA                | 1.63 | —   | 2.1                      | V                |
| Steady-state output ripple                     | V <sub>R</sub>      |                                                                                                                                          | —    | 3   | —                        | mV <sub>pp</sub> |
| Output voltage under/overshoot                 | V <sub>OV</sub>     | CCM Mode (LNFORCECCM <sup>3</sup> = 1), Load changes between 0 mA and 100 mA                                                             | —    | 25  | 60                       | mV               |
|                                                |                     | DCM Mode (LNFORCECCM <sup>3</sup> = 0), Load changes between 0 mA and 10 mA                                                              | —    | 45  | 90                       | mV               |
|                                                |                     | Overshoot during LP to LN CCM/DCM mode transitions compared to DC level in LN mode                                                       | —    | 200 | —                        | mV               |
|                                                |                     | Undershoot during BYP/LP to LN CCM (LNFORCECCM <sup>3</sup> = 1) mode transitions compared to DC level in LN mode                        | —    | 40  | —                        | mV               |
|                                                |                     | Undershoot during BYP/LP to LN DCM (LNFORCECCM <sup>3</sup> = 0) mode transitions compared to DC level in LN mode                        | —    | 100 | —                        | mV               |
| DC line regulation                             | V <sub>REG</sub>    | Input changes between V <sub>VREGVDD_MAX</sub> and 2.4 V                                                                                 | —    | 0.1 | —                        | %                |
| DC load regulation                             | I <sub>REG</sub>    | Load changes between 0 mA and 100 mA in CCM mode                                                                                         | —    | 0.1 | —                        | %                |

| Parameter                                  | Symbol                | Test Condition                                            | Min | Typ | Max | Unit |
|--------------------------------------------|-----------------------|-----------------------------------------------------------|-----|-----|-----|------|
| Max load current                           | I <sub>LOAD_MAX</sub> | Low noise (LN) mode, Heavy Drive <sup>4</sup> , T ≤ 85 °C | —   | —   | 200 | mA   |
|                                            |                       | Low noise (LN) mode, Heavy Drive <sup>4</sup> , T > 85 °C | —   | —   | 100 | mA   |
|                                            |                       | Low noise (LN) mode, Medium Drive <sup>4</sup>            | —   | —   | 100 | mA   |
|                                            |                       | Low noise (LN) mode, Light Drive <sup>4</sup>             | —   | —   | 50  | mA   |
|                                            |                       | Low power (LP) mode, LPCMPBIASEMxx <sup>3</sup> = 0       | —   | —   | 75  | μA   |
|                                            |                       | Low power (LP) mode, LPCMPBIASEMxx <sup>3</sup> = 3       | —   | —   | 10  | mA   |
| DCDC nominal output capacitor <sup>5</sup> | C <sub>DCDC</sub>     | 25% tolerance                                             | 1   | 4.7 | 4.7 | μF   |
| DCDC nominal output inductor               | L <sub>DCDC</sub>     | 20% tolerance                                             | 4.7 | 4.7 | 4.7 | μH   |
| Resistance in Bypass mode                  | R <sub>BYP</sub>      |                                                           | —   | 1.2 | 2.5 | Ω    |

**Note:**

1. Due to internal dropout, the DC-DC output will never be able to reach its input voltage, V<sub>VREGVDD</sub>.
2. LP mode controller is a hysteretic controller that maintains the output voltage within the specified limits.
3. LPCMPBIASEMxx refers to either LPCMPBIASEM234H in the EMU\_DCDCMISCCTRL register or LPCMPBIASEM01 in the EMU\_DCDCLOEM01CFG register, depending on the energy mode.
4. Drive levels are defined by configuration of the PFETCNT and NFETCNT registers. Light Drive: PFETCNT=NFETCNT=3; Medium Drive: PFETCNT=NFETCNT=7; Heavy Drive: PFETCNT=NFETCNT=15.
5. Output voltage under/over-shoot and regulation are specified with C<sub>DCDC</sub> 4.7 μF. Different settings for DCDCLNCOMPCTRL must be used if C<sub>DCDC</sub> is lower than 4.7 μF. See Application Note AN0948 for details.



## 4.1.5 Backup Supply Domain

Table 4.5. Backup Supply Domain

| Parameter                                                | Symbol         | Test Condition                                    | Min  | Typ  | Max  | Unit     |
|----------------------------------------------------------|----------------|---------------------------------------------------|------|------|------|----------|
| Backup supply voltage range                              | $V_{BU\_VIN}$  |                                                   | 1.8  | —    | 3.8  | V        |
| PWRRES resistor                                          | $R_{PWRRES}$   | EMU_BUCTRL_PWRRES = RES0                          | 3400 | 3900 | 4400 | $\Omega$ |
|                                                          |                | EMU_BUCTRL_PWRRES = RES1                          | 1450 | 1800 | 2150 | $\Omega$ |
|                                                          |                | EMU_BUCTRL_PWRRES = RES2                          | 1000 | 1330 | 1700 | $\Omega$ |
|                                                          |                | EMU_BUCTRL_PWRRES = RES3                          | 525  | 815  | 1100 | $\Omega$ |
| Output impedance between BU_VIN and BU_VOUT <sup>1</sup> | $R_{BU\_VOUT}$ | EMU_BUCTRL_VOUTRES = STRONG                       | 35   | 110  | 185  | $\Omega$ |
|                                                          |                | EMU_BUCTRL_VOUTRES = MED                          | 475  | 775  | 1075 | $\Omega$ |
|                                                          |                | EMU_BUCTRL_VOUTRES = WEAK                         | 5600 | 6500 | 7400 | $\Omega$ |
| Supply current                                           | $I_{BU\_VIN}$  | BU_VIN not powering backup domain, 25 °C          | —    | 10   | 100  | nA       |
|                                                          |                | BU_VIN powering backup domain, 25 °C <sup>2</sup> | —    | 450  | 2500 | nA       |

**Note:**

1. BU\_VOUT and BU\_STAT signals are not available in all package configurations. Check the device pinout for availability.
2. Additional current required by backup circuitry when backup is active. Includes supply current of backup switches and backup regulator. Does not include supply current required for backed-up circuitry.

## 4.1.6 Current Consumption

### 4.1.6.1 Current Consumption 3.3 V without DC-DC Converter

Unless otherwise indicated, typical conditions are: VREGVDD = AVDD = DVDD = 3.3 V. T = 25 °C. DCDC is off. Minimum and maximum values in this table represent the worst conditions across process variation at T = 25 °C.

**Table 4.6. Current Consumption 3.3 V without DC-DC Converter**

| Parameter                                                                                 | Symbol                 | Test Condition                                                       | Min | Typ  | Max | Unit   |
|-------------------------------------------------------------------------------------------|------------------------|----------------------------------------------------------------------|-----|------|-----|--------|
| Current consumption in EM0 mode with all peripherals disabled                             | I <sub>ACTIVE</sub>    | 48 MHz crystal, CPU running while loop from flash                    | —   | 45   | —   | μA/MHz |
|                                                                                           |                        | 48 MHz HFRCO, CPU running while loop from flash                      | —   | 44   | 50  | μA/MHz |
|                                                                                           |                        | 48 MHz HFRCO, CPU running Prime from flash                           | —   | 57   | —   | μA/MHz |
|                                                                                           |                        | 48 MHz HFRCO, CPU running CoreMark loop from flash                   | —   | 71   | —   | μA/MHz |
|                                                                                           |                        | 32 MHz HFRCO, CPU running while loop from flash                      | —   | 45   | —   | μA/MHz |
|                                                                                           |                        | 26 MHz HFRCO, CPU running while loop from flash                      | —   | 46   | 52  | μA/MHz |
|                                                                                           |                        | 16 MHz HFRCO, CPU running while loop from flash                      | —   | 50   | —   | μA/MHz |
|                                                                                           |                        | 1 MHz HFRCO, CPU running while loop from flash                       | —   | 161  | 240 | μA/MHz |
| Current consumption in EM0 mode with all peripherals disabled and voltage scaling enabled | I <sub>ACTIVE_VS</sub> | 19 MHz HFRCO, CPU running while loop from flash                      | —   | 41   | —   | μA/MHz |
|                                                                                           |                        | 1 MHz HFRCO, CPU running while loop from flash                       | —   | 145  | —   | μA/MHz |
| Current consumption in EM1 mode with all peripherals disabled                             | I <sub>EM1</sub>       | 48 MHz crystal                                                       | —   | 34   | —   | μA/MHz |
|                                                                                           |                        | 48 MHz HFRCO                                                         | —   | 33   | 36  | μA/MHz |
|                                                                                           |                        | 32 MHz HFRCO                                                         | —   | 34   | —   | μA/MHz |
|                                                                                           |                        | 26 MHz HFRCO                                                         | —   | 35   | 40  | μA/MHz |
|                                                                                           |                        | 16 MHz HFRCO                                                         | —   | 39   | —   | μA/MHz |
|                                                                                           |                        | 1 MHz HFRCO                                                          | —   | 150  | 210 | μA/MHz |
| Current consumption in EM1 mode with all peripherals disabled and voltage scaling enabled | I <sub>EM1_VS</sub>    | 19 MHz HFRCO                                                         | —   | 32   | —   | μA/MHz |
|                                                                                           |                        | 1 MHz HFRCO                                                          | —   | 136  | —   | μA/MHz |
| Current consumption in EM2 mode, with voltage scaling enabled                             | I <sub>EM2_VS</sub>    | Full 32 kB RAM retention and RTCC running from LFXO                  | —   | 1.48 | —   | μA     |
|                                                                                           |                        | Full 32 kB RAM retention and RTCC running from LFRCO                 | —   | 1.86 | —   | μA     |
|                                                                                           |                        | 8 kB (1 bank) RAM retention and RTCC running from LFRCO <sup>1</sup> | —   | 1.59 | 2.8 | μA     |
| Current consumption in EM3 mode, with voltage scaling enabled                             | I <sub>EM3_VS</sub>    | Full 32 kB RAM retention and CRYOTIMER running from ULFR-CO          | —   | 1.23 | 2.5 | μA     |

| Parameter                                                                      | Symbol               | Test Condition                                                                                          | Min | Typ  | Max | Unit |
|--------------------------------------------------------------------------------|----------------------|---------------------------------------------------------------------------------------------------------|-----|------|-----|------|
| Current consumption in EM4H mode, with voltage scaling enabled                 | I <sub>EM4H_VS</sub> | 128 byte RAM retention, RTCC running from LFXO                                                          | —   | 0.82 | —   | μA   |
|                                                                                |                      | 128 byte RAM retention, CRYO-TIMER running from ULFRCO                                                  | —   | 0.45 | —   | μA   |
|                                                                                |                      | 128 byte RAM retention, no RTCC                                                                         | —   | 0.45 | 1   | μA   |
| Current consumption in EM4S mode                                               | I <sub>EM4S</sub>    | No RAM retention, no RTCC                                                                               | —   | 0.07 | 0.1 | μA   |
| Current consumption of peripheral power domain 1, with voltage scaling enabled | I <sub>PD1_VS</sub>  | Additional current consumption in EM2/3 when any peripherals on power domain 1 are enabled <sup>2</sup> | —   | 0.18 | —   | μA   |
| Current consumption of peripheral power domain 2, with voltage scaling enabled | I <sub>PD2_VS</sub>  | Additional current consumption in EM2/3 when any peripherals on power domain 2 are enabled <sup>2</sup> | —   | 0.18 | —   | μA   |

**Note:**

1. CMU\_LFRCTRL\_ENVREF = 1, CMU\_LFRCTRL\_VREFUPDATE = 1
2. Extra current consumed by power domain. Does not include current associated with the enabled peripherals. See [3.2.3 EM2 and EM3 Power Domains](#) for a list of the peripherals in each power domain.

#### 4.1.6.2 Current Consumption 3.3 V using DC-DC Converter

Unless otherwise indicated, typical conditions are: VREGVDD = AVDD = IOVDD = 3.3 V, DVDD = 1.8 V DC-DC output. T = 25 °C. Minimum and maximum values in this table represent the worst conditions across process variation at T = 25 °C.

**Table 4.7. Current Consumption 3.3 V using DC-DC Converter**

| Parameter                                                                                              | Symbol                  | Test Condition                                     | Min | Typ  | Max | Unit   |
|--------------------------------------------------------------------------------------------------------|-------------------------|----------------------------------------------------|-----|------|-----|--------|
| Current consumption in EM0 mode with all peripherals disabled, DCDC in Low Noise DCM mode <sup>1</sup> | I <sub>ACTIVE_DCM</sub> | 48 MHz crystal, CPU running while loop from flash  | —   | 38   | —   | µA/MHz |
|                                                                                                        |                         | 48 MHz HFRCO, CPU running while loop from flash    | —   | 37   | —   | µA/MHz |
|                                                                                                        |                         | 48 MHz HFRCO, CPU running Prime from flash         | —   | 45   | —   | µA/MHz |
|                                                                                                        |                         | 48 MHz HFRCO, CPU running CoreMark loop from flash | —   | 53   | —   | µA/MHz |
|                                                                                                        |                         | 32 MHz HFRCO, CPU running while loop from flash    | —   | 43   | —   | µA/MHz |
|                                                                                                        |                         | 26 MHz HFRCO, CPU running while loop from flash    | —   | 47   | —   | µA/MHz |
|                                                                                                        |                         | 16 MHz HFRCO, CPU running while loop from flash    | —   | 61   | —   | µA/MHz |
|                                                                                                        |                         | 1 MHz HFRCO, CPU running while loop from flash     | —   | 587  | —   | µA/MHz |
| Current consumption in EM0 mode with all peripherals disabled, DCDC in Low Noise CCM mode <sup>2</sup> | I <sub>ACTIVE_CCM</sub> | 48 MHz crystal, CPU running while loop from flash  | —   | 49   | —   | µA/MHz |
|                                                                                                        |                         | 48 MHz HFRCO, CPU running while loop from flash    | —   | 48   | —   | µA/MHz |
|                                                                                                        |                         | 48 MHz HFRCO, CPU running Prime from flash         | —   | 55   | —   | µA/MHz |
|                                                                                                        |                         | 48 MHz HFRCO, CPU running CoreMark loop from flash | —   | 63   | —   | µA/MHz |
|                                                                                                        |                         | 32 MHz HFRCO, CPU running while loop from flash    | —   | 60   | —   | µA/MHz |
|                                                                                                        |                         | 26 MHz HFRCO, CPU running while loop from flash    | —   | 68   | —   | µA/MHz |
|                                                                                                        |                         | 16 MHz HFRCO, CPU running while loop from flash    | —   | 96   | —   | µA/MHz |
|                                                                                                        |                         | 1 MHz HFRCO, CPU running while loop from flash     | —   | 1157 | —   | µA/MHz |
| Current consumption in EM0 mode with all peripherals disabled, DCDC in LP mode <sup>3</sup>            | I <sub>ACTIVE_LPM</sub> | 32 MHz HFRCO, CPU running while loop from flash    | —   | 32   | —   | µA/MHz |
|                                                                                                        |                         | 26 MHz HFRCO, CPU running while loop from flash    | —   | 33   | —   | µA/MHz |
|                                                                                                        |                         | 16 MHz HFRCO, CPU running while loop from flash    | —   | 36   | —   | µA/MHz |
|                                                                                                        |                         | 1 MHz HFRCO, CPU running while loop from flash     | —   | 156  | —   | µA/MHz |

| Parameter                                                                                                                          | Symbol                     | Test Condition                                                       | Min | Typ  | Max | Unit   |
|------------------------------------------------------------------------------------------------------------------------------------|----------------------------|----------------------------------------------------------------------|-----|------|-----|--------|
| Current consumption in EM0 mode with all peripherals disabled and voltage scaling enabled, DCDC in Low Noise CCM mode <sup>2</sup> | I <sub>ACTIVE_CCM_VS</sub> | 19 MHz HFRCO, CPU running while loop from flash                      | —   | 81   | —   | μA/MHz |
|                                                                                                                                    |                            | 1 MHz HFRCO, CPU running while loop from flash                       | —   | 1147 | —   | μA/MHz |
| Current consumption in EM0 mode with all peripherals disabled and voltage scaling enabled, DCDC in LP mode <sup>3</sup>            | I <sub>ACTIVE_LPM_VS</sub> | 19 MHz HFRCO, CPU running while loop from flash                      | —   | 30   | —   | μA/MHz |
|                                                                                                                                    |                            | 1 MHz HFRCO, CPU running while loop from flash                       | —   | 144  | —   | μA/MHz |
| Current consumption in EM1 mode with all peripherals disabled, DCDC in Low Noise DCM mode <sup>1</sup>                             | I <sub>EM1_DCM</sub>       | 48 MHz crystal                                                       | —   | 31   | —   | μA/MHz |
|                                                                                                                                    |                            | 48 MHz HFRCO                                                         | —   | 30   | —   | μA/MHz |
|                                                                                                                                    |                            | 32 MHz HFRCO                                                         | —   | 36   | —   | μA/MHz |
|                                                                                                                                    |                            | 26 MHz HFRCO                                                         | —   | 41   | —   | μA/MHz |
|                                                                                                                                    |                            | 16 MHz HFRCO                                                         | —   | 54   | —   | μA/MHz |
|                                                                                                                                    |                            | 1 MHz HFRCO                                                          | —   | 581  | —   | μA/MHz |
| Current consumption in EM1 mode with all peripherals disabled, DCDC in Low Power mode <sup>3</sup>                                 | I <sub>EM1_LPM</sub>       | 32 MHz HFRCO                                                         | —   | 25   | —   | μA/MHz |
|                                                                                                                                    |                            | 26 MHz HFRCO                                                         | —   | 26   | —   | μA/MHz |
|                                                                                                                                    |                            | 16 MHz HFRCO                                                         | —   | 29   | —   | μA/MHz |
|                                                                                                                                    |                            | 1 MHz HFRCO                                                          | —   | 153  | —   | μA/MHz |
| Current consumption in EM1 mode with all peripherals disabled and voltage scaling enabled, DCDC in Low Noise DCM mode <sup>1</sup> | I <sub>EM1_DCM_VS</sub>    | 19 MHz HFRCO                                                         | —   | 46   | —   | μA/MHz |
|                                                                                                                                    |                            | 1 MHz HFRCO                                                          | —   | 573  | —   | μA/MHz |
| Current consumption in EM1 mode with all peripherals disabled and voltage scaling enabled. DCDC in LP mode <sup>3</sup>            | I <sub>EM1_LPM_VS</sub>    | 19 MHz HFRCO                                                         | —   | 25   | —   | μA/MHz |
|                                                                                                                                    |                            | 1 MHz HFRCO                                                          | —   | 140  | —   | μA/MHz |
| Current consumption in EM2 mode, with voltage scaling enabled, DCDC in LP mode <sup>3</sup>                                        | I <sub>EM2_VS</sub>        | Full 32 kB RAM retention and RTCC running from LFXO                  | —   | 1.26 | —   | μA     |
|                                                                                                                                    |                            | Full 32 kB RAM retention and RTCC running from LFRCO                 | —   | 1.54 | —   | μA     |
|                                                                                                                                    |                            | 8 kB (1 bank) RAM retention and RTCC running from LFRCO <sup>4</sup> | —   | 1.30 | —   | μA     |
| Current consumption in EM3 mode, with voltage scaling enabled                                                                      | I <sub>EM3_VS</sub>        | Full 32 kB RAM retention and CRYOTIMER running from ULFRCO           | —   | 0.93 | —   | μA     |
| Current consumption in EM4H mode, with voltage scaling enabled                                                                     | I <sub>EM4H_VS</sub>       | 128 byte RAM retention, RTCC running from LFXO                       | —   | 0.78 | —   | μA     |
|                                                                                                                                    |                            | 128 byte RAM retention, CRYOTIMER running from ULFRCO                | —   | 0.50 | —   | μA     |
|                                                                                                                                    |                            | 128 byte RAM retention, no RTCC                                      | —   | 0.50 | —   | μA     |
| Current consumption in EM4S mode                                                                                                   | I <sub>EM4S</sub>          | No RAM retention, no RTCC                                            | —   | 0.06 | —   | μA     |

| Parameter                                                                                                    | Symbol              | Test Condition                                                                                          | Min | Typ  | Max | Unit |
|--------------------------------------------------------------------------------------------------------------|---------------------|---------------------------------------------------------------------------------------------------------|-----|------|-----|------|
| Current consumption of peripheral power domain 1, with voltage scaling enabled, DCDC in LP mode <sup>3</sup> | I <sub>PD1_VS</sub> | Additional current consumption in EM2/3 when any peripherals on power domain 1 are enabled <sup>5</sup> | —   | 0.18 | —   | μA   |
| Current consumption of peripheral power domain 2, with voltage scaling enabled, DCDC in LP mode <sup>3</sup> | I <sub>PD2_VS</sub> | Additional current consumption in EM2/3 when any peripherals on power domain 2 are enabled <sup>5</sup> | —   | 0.18 | —   | μA   |

**Note:**

1. DCDC Low Noise DCM Mode = Light Drive (PFETCNT=NFETCNT=3), F=3.0 MHz (RCOBAND=0), ANASW=DVDD.
2. DCDC Low Noise CCM Mode = Light Drive (PFETCNT=NFETCNT=3), F=6.4 MHz (RCOBAND=4), ANASW=DVDD.
3. DCDC Low Power Mode = Medium Drive, LPOSCDIV=1, LPCMPBIASEM234H=0, LPCLIMILIMSEL=1, ANASW=DVDD.
4. CMU\_LFRCTRL\_ENVREF = 1, CMU\_LFRCTRL\_VREFUPDATE = 1
5. Extra current consumed by power domain. Does not include current associated with the enabled peripherals. See [3.2.3 EM2 and EM3 Power Domains](#) for a list of the peripherals in each power domain.

#### 4.1.6.3 Current Consumption 1.8 V without DC-DC Converter

Unless otherwise indicated, typical conditions are: VREGVDD = AVDD = DVDD = 1.8 V. T = 25 °C. DCDC is off. Minimum and maximum values in this table represent the worst conditions across process variation at T = 25 °C.

**Table 4.8. Current Consumption 1.8 V without DC-DC Converter**

| Parameter                                                                                 | Symbol                 | Test Condition                                                       | Min | Typ  | Max | Unit   |
|-------------------------------------------------------------------------------------------|------------------------|----------------------------------------------------------------------|-----|------|-----|--------|
| Current consumption in EM0 mode with all peripherals disabled                             | I <sub>ACTIVE</sub>    | 48 MHz crystal, CPU running while loop from flash                    | —   | 45   | —   | μA/MHz |
|                                                                                           |                        | 48 MHz HFRCO, CPU running while loop from flash                      | —   | 44   | —   | μA/MHz |
|                                                                                           |                        | 48 MHz HFRCO, CPU running Prime from flash                           | —   | 57   | —   | μA/MHz |
|                                                                                           |                        | 48 MHz HFRCO, CPU running CoreMark loop from flash                   | —   | 71   | —   | μA/MHz |
|                                                                                           |                        | 32 MHz HFRCO, CPU running while loop from flash                      | —   | 45   | —   | μA/MHz |
|                                                                                           |                        | 26 MHz HFRCO, CPU running while loop from flash                      | —   | 46   | —   | μA/MHz |
|                                                                                           |                        | 16 MHz HFRCO, CPU running while loop from flash                      | —   | 49   | —   | μA/MHz |
|                                                                                           |                        | 1 MHz HFRCO, CPU running while loop from flash                       | —   | 158  | —   | μA/MHz |
| Current consumption in EM0 mode with all peripherals disabled and voltage scaling enabled | I <sub>ACTIVE_VS</sub> | 19 MHz HFRCO, CPU running while loop from flash                      | —   | 41   | —   | μA/MHz |
|                                                                                           |                        | 1 MHz HFRCO, CPU running while loop from flash                       | —   | 142  | —   | μA/MHz |
| Current consumption in EM1 mode with all peripherals disabled                             | I <sub>EM1</sub>       | 48 MHz crystal                                                       | —   | 34   | —   | μA/MHz |
|                                                                                           |                        | 48 MHz HFRCO                                                         | —   | 33   | —   | μA/MHz |
|                                                                                           |                        | 32 MHz HFRCO                                                         | —   | 34   | —   | μA/MHz |
|                                                                                           |                        | 26 MHz HFRCO                                                         | —   | 35   | —   | μA/MHz |
|                                                                                           |                        | 16 MHz HFRCO                                                         | —   | 39   | —   | μA/MHz |
|                                                                                           |                        | 1 MHz HFRCO                                                          | —   | 147  | —   | μA/MHz |
| Current consumption in EM1 mode with all peripherals disabled and voltage scaling enabled | I <sub>EM1_VS</sub>    | 19 MHz HFRCO                                                         | —   | 32   | —   | μA/MHz |
|                                                                                           |                        | 1 MHz HFRCO                                                          | —   | 133  | —   | μA/MHz |
| Current consumption in EM2 mode, with voltage scaling enabled                             | I <sub>EM2_VS</sub>    | Full 32 kB RAM retention and RTCC running from LFXO                  | —   | 1.39 | —   | μA     |
|                                                                                           |                        | Full 32 kB RAM retention and RTCC running from LFRCO                 | —   | 1.63 | —   | μA     |
|                                                                                           |                        | 8 kB (1 bank) RAM retention and RTCC running from LFRCO <sup>1</sup> | —   | 1.37 | —   | μA     |
| Current consumption in EM3 mode, with voltage scaling enabled                             | I <sub>EM3_VS</sub>    | Full 32 kB RAM retention and CRYOTIMER running from ULFR-CO          | —   | 1.10 | —   | μA     |

| Parameter                                                                      | Symbol               | Test Condition                                                                                          | Min | Typ  | Max | Unit |
|--------------------------------------------------------------------------------|----------------------|---------------------------------------------------------------------------------------------------------|-----|------|-----|------|
| Current consumption in EM4H mode, with voltage scaling enabled                 | I <sub>EM4H_VS</sub> | 128 byte RAM retention, RTCC running from LFXO                                                          | —   | 0.75 | —   | μA   |
|                                                                                |                      | 128 byte RAM retention, CRYO-TIMER running from ULFRCO                                                  | —   | 0.37 | —   | μA   |
|                                                                                |                      | 128 byte RAM retention, no RTCC                                                                         | —   | 0.37 | —   | μA   |
| Current consumption in EM4S mode                                               | I <sub>EM4S</sub>    | No RAM retention, no RTCC                                                                               | —   | 0.05 | —   | μA   |
| Current consumption of peripheral power domain 1, with voltage scaling enabled | I <sub>PD1_VS</sub>  | Additional current consumption in EM2/3 when any peripherals on power domain 1 are enabled <sup>2</sup> | —   | 0.18 | —   | μA   |
| Current consumption of peripheral power domain 2, with voltage scaling enabled | I <sub>PD2_VS</sub>  | Additional current consumption in EM2/3 when any peripherals on power domain 2 are enabled <sup>2</sup> | —   | 0.18 | —   | μA   |

**Note:**

1. CMU\_LFRCTRL\_ENVREF = 1, CMU\_LFRCTRL\_VREFUPDATE = 1
2. Extra current consumed by power domain. Does not include current associated with the enabled peripherals. See [3.2.3 EM2 and EM3 Power Domains](#) for a list of the peripherals in each power domain.



#### 4.1.7 Wake Up Times

**Table 4.9. Wake Up Times**

| Parameter                                                        | Symbol         | Test Condition                                    | Min | Typ  | Max | Unit          |
|------------------------------------------------------------------|----------------|---------------------------------------------------|-----|------|-----|---------------|
| Wake up time from EM1                                            | $t_{EM1\_WU}$  |                                                   | —   | 3    | —   | AHB Clocks    |
| Wake up from EM2                                                 | $t_{EM2\_WU}$  | Code execution from flash                         | —   | 10.1 | —   | $\mu\text{s}$ |
|                                                                  |                | Code execution from RAM                           | —   | 3.1  | —   | $\mu\text{s}$ |
| Wake up from EM3                                                 | $t_{EM3\_WU}$  | Code execution from flash                         | —   | 10.1 | —   | $\mu\text{s}$ |
|                                                                  |                | Code execution from RAM                           | —   | 3.1  | —   | $\mu\text{s}$ |
| Wake up from EM4H <sup>1</sup>                                   | $t_{EM4H\_WU}$ | Executing from flash                              | —   | 88   | —   | $\mu\text{s}$ |
| Wake up from EM4S <sup>1</sup>                                   | $t_{EM4S\_WU}$ | Executing from flash                              | —   | 282  | —   | $\mu\text{s}$ |
| Time from release of reset source to first instruction execution | $t_{RESET}$    | Soft Pin Reset released                           | —   | 50   | —   | $\mu\text{s}$ |
|                                                                  |                | Any other reset released                          | —   | 352  | —   | $\mu\text{s}$ |
| Power mode scaling time                                          | $t_{SCALE}$    | VSCALE0 to VSCALE2, HFCLK = 19 MHz <sup>2 3</sup> | —   | 31.8 | —   | $\mu\text{s}$ |
|                                                                  |                | VSCALE2 to VSCALE0, HFCLK = 19 MHz <sup>4</sup>   | —   | 4.3  | —   | $\mu\text{s}$ |

**Note:**

1. Time from wake up request until first instruction is executed. Wakeup results in device reset.
2. Scaling up from VSCALE0 to VSCALE2 requires approximately  $30.3 \mu\text{s} + 28 \text{ HFCLKs}$ .
3. VSCALE0 to VSCALE2 voltage change transitions occur at a rate of  $10 \text{ mV}/\mu\text{s}$  for approximately  $20 \mu\text{s}$ . During this transition, peak currents will be dependent on the value of the DECOUPLE output capacitor, from 35 mA (with a  $1 \mu\text{F}$  capacitor) to 70 mA (with a  $2.7 \mu\text{F}$  capacitor).
4. Scaling down from VSCALE2 to VSCALE0 requires approximately  $2.8 \mu\text{s} + 29 \text{ HFCLKs}$ .

#### 4.1.8 Brown Out Detector (BOD)

**Table 4.10. Brown Out Detector (BOD)**

| Parameter              | Symbol                     | Test Condition               | Min  | Typ | Max  | Unit |
|------------------------|----------------------------|------------------------------|------|-----|------|------|
| DVDD BOD threshold     | V <sub>DVddbOD</sub>       | DVDD rising                  | —    | —   | 1.62 | V    |
|                        |                            | DVDD falling (EM0/EM1)       | 1.35 | —   | —    | V    |
|                        |                            | DVDD falling (EM2/EM3)       | 1.3  | —   | —    | V    |
| DVDD BOD hysteresis    | V <sub>DVddbOD_HYST</sub>  |                              | —    | 18  | —    | mV   |
| DVDD BOD response time | t <sub>DVddbOD_DELAY</sub> | Supply drops at 0.1V/μs rate | —    | 2.4 | —    | μs   |
| AVDD BOD threshold     | V <sub>AVddbOD</sub>       | AVDD rising                  | —    | —   | 1.8  | V    |
|                        |                            | AVDD falling (EM0/EM1)       | 1.62 | —   | —    | V    |
|                        |                            | AVDD falling (EM2/EM3)       | 1.53 | —   | —    | V    |
| AVDD BOD hysteresis    | V <sub>AVddbOD_HYST</sub>  |                              | —    | 20  | —    | mV   |
| AVDD BOD response time | t <sub>AVddbOD_DELAY</sub> | Supply drops at 0.1V/μs rate | —    | 2.4 | —    | μs   |
| EM4 BOD threshold      | V <sub>EM4dBOD</sub>       | AVDD rising                  | —    | —   | 1.7  | V    |
|                        |                            | AVDD falling                 | 1.45 | —   | —    | V    |
| EM4 BOD hysteresis     | V <sub>EM4BOD_HYST</sub>   |                              | —    | 25  | —    | mV   |
| EM4 BOD response time  | t <sub>EM4BOD_DELAY</sub>  | Supply drops at 0.1V/μs rate | —    | 300 | —    | μs   |

## 4.1.9 Oscillators

### 4.1.9.1 Low-Frequency Crystal Oscillator (LFXO)

Table 4.11. Low-Frequency Crystal Oscillator (LFXO)

| Parameter                                                | Symbol         | Test Condition                                                                  | Min | Typ    | Max | Unit       |
|----------------------------------------------------------|----------------|---------------------------------------------------------------------------------|-----|--------|-----|------------|
| Crystal frequency                                        | $f_{LFXO}$     |                                                                                 | —   | 32.768 | —   | kHz        |
| Supported crystal equivalent series resistance (ESR)     | $ESR_{LFXO}$   |                                                                                 | —   | —      | 70  | k $\Omega$ |
| Supported range of crystal load capacitance <sup>1</sup> | $C_{LFXO\_CL}$ |                                                                                 | 6   | —      | 18  | pF         |
| On-chip tuning cap range <sup>2</sup>                    | $C_{LFXO\_T}$  | On each of LFX TAL_N and LFX TAL_P pins                                         | 8   | —      | 40  | pF         |
| On-chip tuning cap step size                             | $SS_{LFXO}$    |                                                                                 | —   | 0.25   | —   | pF         |
| Current consumption after startup <sup>3</sup>           | $I_{LFXO}$     | ESR = 70 k $\Omega$ , $C_L$ = 7 pF, GAIN <sup>4</sup> = 2, AGC <sup>4</sup> = 1 | —   | 273    | —   | nA         |
| Start-up time                                            | $t_{LFXO}$     | ESR = 70 k $\Omega$ , $C_L$ = 7 pF, GAIN <sup>4</sup> = 2                       | —   | 308    | —   | ms         |

**Note:**

1. Total load capacitance as seen by the crystal.
2. The effective load capacitance seen by the crystal will be  $C_{LFXO\_T} / 2$ . This is because each XTAL pin has a tuning cap and the two caps will be seen in series by the crystal.
3. Block is supplied by AVDD if ANASW = 0, or DVDD if ANASW=1 in EMU\_PWRCTRL register.
4. In CMU\_LFXOCTRL register.

#### 4.1.9.2 High-Frequency Crystal Oscillator (HFXO)

Table 4.12. High-Frequency Crystal Oscillator (HFXO)

| Parameter                                                                                                                                                                                      | Symbol                     | Test Condition                              | Min | Typ   | Max  | Unit          |
|------------------------------------------------------------------------------------------------------------------------------------------------------------------------------------------------|----------------------------|---------------------------------------------|-----|-------|------|---------------|
| Crystal frequency                                                                                                                                                                              | $f_{\text{HFXO}}$          | No clock doubling                           | 4   | —     | 48   | MHz           |
| Supported crystal equivalent series resistance (ESR)                                                                                                                                           | $\text{ESR}_{\text{HFXO}}$ | 48 MHz crystal                              | —   | —     | 50   | $\Omega$      |
|                                                                                                                                                                                                |                            | 24 MHz crystal                              | —   | —     | 150  | $\Omega$      |
|                                                                                                                                                                                                |                            | 4 MHz crystal                               | —   | —     | 180  | $\Omega$      |
| Nominal on-chip tuning cap range <sup>1</sup>                                                                                                                                                  | $C_{\text{HFXO}_T}$        | On each of HFXTAL_N and HFXTAL_P pins       | 8.7 | —     | 51.7 | pF            |
| On-chip tuning capacitance step                                                                                                                                                                | $\text{SS}_{\text{HFXO}}$  |                                             | —   | 0.084 | —    | pF            |
| Startup time                                                                                                                                                                                   | $t_{\text{HFXO}}$          | 48 MHz crystal, ESR = 50 Ohm, $C_L = 8$ pF  | —   | 350   | —    | $\mu\text{s}$ |
|                                                                                                                                                                                                |                            | 24 MHz crystal, ESR = 150 Ohm, $C_L = 6$ pF | —   | 700   | —    | $\mu\text{s}$ |
|                                                                                                                                                                                                |                            | 4 MHz crystal, ESR = 180 Ohm, $C_L = 18$ pF | —   | 3     | —    | ms            |
| Current consumption after startup                                                                                                                                                              | $I_{\text{HFXO}}$          | 48 MHz crystal                              | —   | 480   | —    | $\mu\text{A}$ |
|                                                                                                                                                                                                |                            | 24 MHz crystal                              | —   | 240   | —    | $\mu\text{A}$ |
|                                                                                                                                                                                                |                            | 4 MHz crystal                               | —   | 50    | —    | $\mu\text{A}$ |
| <b>Note:</b>                                                                                                                                                                                   |                            |                                             |     |       |      |               |
| 1. The effective load capacitance seen by the crystal will be $C_{\text{HFXO}_T} / 2$ . This is because each XTAL pin has a tuning cap and the two caps will be seen in series by the crystal. |                            |                                             |     |       |      |               |

### 4.1.9.3 Low-Frequency RC Oscillator (LFRCO)

**Table 4.13. Low-Frequency RC Oscillator (LFRCO)**

| Parameter                                                                                                                                              | Symbol             | Test Condition                     | Min  | Typ    | Max  | Unit |
|--------------------------------------------------------------------------------------------------------------------------------------------------------|--------------------|------------------------------------|------|--------|------|------|
| Oscillation frequency                                                                                                                                  | $f_{\text{LFRCO}}$ | ENVREF <sup>1</sup> = 1, T ≤ 85 °C | 31.3 | 32.768 | 33.6 | kHz  |
|                                                                                                                                                        |                    | ENVREF <sup>1</sup> = 1, T > 85 °C | 31   | 32.768 | 36.8 | kHz  |
|                                                                                                                                                        |                    | ENVREF <sup>1</sup> = 0, T ≤ 85 °C | 31.3 | 32.768 | 33.4 | kHz  |
|                                                                                                                                                        |                    | ENVREF <sup>1</sup> = 0, T > 85 °C | 30   | 32.768 | 33.6 | kHz  |
| Startup time                                                                                                                                           | $t_{\text{LFRCO}}$ |                                    | —    | 500    | —    | μs   |
| Current consumption <sup>2</sup>                                                                                                                       | $I_{\text{LFRCO}}$ | ENVREF = 1 in CMU_LFRCOCTRL        | —    | 370    | —    | nA   |
|                                                                                                                                                        |                    | ENVREF = 0 in CMU_LFRCOCTRL        | —    | 520    | —    | nA   |
| <p><b>Note:</b></p> <p>1. In CMU_LFRCOCTRL register.</p> <p>2. Block is supplied by AVDD if ANASW = 0, or DVDD if ANASW=1 in EMU_PWRCTRL register.</p> |                    |                                    |      |        |      |      |

#### 4.1.9.4 High-Frequency RC Oscillator (HFRCO)

Table 4.14. High-Frequency RC Oscillator (HFRCO)

| Parameter                                         | Symbol                      | Test Condition                                                                                        | Min  | Typ           | Max | Unit          |
|---------------------------------------------------|-----------------------------|-------------------------------------------------------------------------------------------------------|------|---------------|-----|---------------|
| Frequency accuracy                                | $f_{\text{HFRCO\_ACC}}$     | At production calibrated frequencies, across supply voltage and temperature                           | -2.5 | —             | 2.5 | %             |
| Start-up time                                     | $t_{\text{HFRCO}}$          | $f_{\text{HFRCO}} \geq 19 \text{ MHz}$                                                                | —    | 300           | —   | ns            |
|                                                   |                             | $4 < f_{\text{HFRCO}} < 19 \text{ MHz}$                                                               | —    | 1             | —   | $\mu\text{s}$ |
|                                                   |                             | $f_{\text{HFRCO}} \leq 4 \text{ MHz}$                                                                 | —    | 2.5           | —   | $\mu\text{s}$ |
| Maximum DPLL lock time <sup>1</sup>               | $t_{\text{DPLL\_LOCK}}$     | $f_{\text{REF}} = 32.768 \text{ kHz}$ , $f_{\text{HFRCO}} = 39.98 \text{ MHz}$ , $N = 1219$ , $M = 0$ | —    | 183           | —   | $\mu\text{s}$ |
| Current consumption on all supplies               | $I_{\text{HFRCO}}$          | $f_{\text{HFRCO}} = 48 \text{ MHz}$                                                                   | —    | 258           | 320 | $\mu\text{A}$ |
|                                                   |                             | $f_{\text{HFRCO}} = 38 \text{ MHz}$                                                                   | —    | 218           | 280 | $\mu\text{A}$ |
|                                                   |                             | $f_{\text{HFRCO}} = 32 \text{ MHz}$                                                                   | —    | 182           | 220 | $\mu\text{A}$ |
|                                                   |                             | $f_{\text{HFRCO}} = 26 \text{ MHz}$                                                                   | —    | 156           | 200 | $\mu\text{A}$ |
|                                                   |                             | $f_{\text{HFRCO}} = 19 \text{ MHz}$                                                                   | —    | 130           | 160 | $\mu\text{A}$ |
|                                                   |                             | $f_{\text{HFRCO}} = 16 \text{ MHz}$                                                                   | —    | 112           | 130 | $\mu\text{A}$ |
|                                                   |                             | $f_{\text{HFRCO}} = 13 \text{ MHz}$                                                                   | —    | 101           | 120 | $\mu\text{A}$ |
|                                                   |                             | $f_{\text{HFRCO}} = 7 \text{ MHz}$                                                                    | —    | 80            | 100 | $\mu\text{A}$ |
|                                                   |                             | $f_{\text{HFRCO}} = 4 \text{ MHz}$                                                                    | —    | 29            | 45  | $\mu\text{A}$ |
|                                                   |                             | $f_{\text{HFRCO}} = 2 \text{ MHz}$                                                                    | —    | 26            | 40  | $\mu\text{A}$ |
|                                                   |                             | $f_{\text{HFRCO}} = 1 \text{ MHz}$                                                                    | —    | 24            | 35  | $\mu\text{A}$ |
|                                                   |                             | $f_{\text{HFRCO}} = 40 \text{ MHz}$ , DPLL enabled                                                    | —    | 393           | 450 | $\mu\text{A}$ |
|                                                   |                             | $f_{\text{HFRCO}} = 32 \text{ MHz}$ , DPLL enabled                                                    | —    | 313           | 350 | $\mu\text{A}$ |
|                                                   |                             | $f_{\text{HFRCO}} = 16 \text{ MHz}$ , DPLL enabled                                                    | —    | 180           | 220 | $\mu\text{A}$ |
| $f_{\text{HFRCO}} = 4 \text{ MHz}$ , DPLL enabled | —                           | 46                                                                                                    | 60   | $\mu\text{A}$ |     |               |
| $f_{\text{HFRCO}} = 1 \text{ MHz}$ , DPLL enabled | —                           | 33                                                                                                    | 45   | $\mu\text{A}$ |     |               |
| Coarse trim step size (% of period)               | $SS_{\text{HFRCO\_COARSE}}$ |                                                                                                       | —    | 0.8           | —   | %             |
| Fine trim step size (% of period)                 | $SS_{\text{HFRCO\_FINE}}$   |                                                                                                       | —    | 0.1           | —   | %             |
| Period jitter                                     | $PJ_{\text{HFRCO}}$         |                                                                                                       | —    | 0.2           | —   | % RMS         |

| Parameter        | Symbol                  | Test Condition                   | Min | Typ | Max | Unit |
|------------------|-------------------------|----------------------------------|-----|-----|-----|------|
| Frequency limits | f <sub>HFRCO_BAND</sub> | FREQRANGE = 0, FINETUNINGEN = 0  | 2   | —   | 8   | MHz  |
|                  |                         | FREQRANGE = 3, FINETUNINGEN = 0  | 4   | —   | 14  | MHz  |
|                  |                         | FREQRANGE = 6, FINETUNINGEN = 0  | 9   | —   | 21  | MHz  |
|                  |                         | FREQRANGE = 7, FINETUNINGEN = 0  | 10  | —   | 27  | MHz  |
|                  |                         | FREQRANGE = 8, FINETUNINGEN = 0  | 13  | —   | 33  | MHz  |
|                  |                         | FREQRANGE = 10, FINETUNINGEN = 0 | 15  | —   | 46  | MHz  |
|                  |                         | FREQRANGE = 11, FINETUNINGEN = 0 | 23  | —   | 54  | MHz  |
|                  |                         | FREQRANGE = 12, FINETUNINGEN = 0 | 29  | —   | 64  | MHz  |
|                  |                         | FREQRANGE = 13, FINETUNINGEN = 0 | 36  | —   | 78  | MHz  |

**Note:**

1. Maximum DPLL lock time  $\approx 6 \times (M+1) \times t_{REF}$ , where  $t_{REF}$  is the reference clock period.

#### 4.1.9.5 Auxiliary High-Frequency RC Oscillator (AUXHFRCO)

**Table 4.15. Auxiliary High-Frequency RC Oscillator (AUXHFRCO)**

| Parameter                           | Symbol                         | Test Condition                                                              | Min | Typ | Max | Unit          |
|-------------------------------------|--------------------------------|-----------------------------------------------------------------------------|-----|-----|-----|---------------|
| Frequency accuracy                  | $f_{\text{AUXHFRCO\_ACC}}$     | At production calibrated frequencies, across supply voltage and temperature | -3  | —   | 3   | %             |
| Start-up time                       | $t_{\text{AUXHFRCO}}$          | $f_{\text{AUXHFRCO}} \geq 19 \text{ MHz}$                                   | —   | 400 | —   | ns            |
|                                     |                                | $4 < f_{\text{AUXHFRCO}} < 19 \text{ MHz}$                                  | —   | 1.4 | —   | $\mu\text{s}$ |
|                                     |                                | $f_{\text{AUXHFRCO}} \leq 4 \text{ MHz}$                                    | —   | 2.5 | —   | $\mu\text{s}$ |
| Current consumption on all supplies | $I_{\text{AUXHFRCO}}$          | $f_{\text{AUXHFRCO}} = 48 \text{ MHz}$                                      | —   | 238 | 280 | $\mu\text{A}$ |
|                                     |                                | $f_{\text{AUXHFRCO}} = 38 \text{ MHz}$                                      | —   | 196 | 225 | $\mu\text{A}$ |
|                                     |                                | $f_{\text{AUXHFRCO}} = 32 \text{ MHz}$                                      | —   | 160 | 190 | $\mu\text{A}$ |
|                                     |                                | $f_{\text{AUXHFRCO}} = 26 \text{ MHz}$                                      | —   | 137 | 165 | $\mu\text{A}$ |
|                                     |                                | $f_{\text{AUXHFRCO}} = 19 \text{ MHz}$                                      | —   | 110 | 135 | $\mu\text{A}$ |
|                                     |                                | $f_{\text{AUXHFRCO}} = 16 \text{ MHz}$                                      | —   | 101 | 125 | $\mu\text{A}$ |
|                                     |                                | $f_{\text{AUXHFRCO}} = 13 \text{ MHz}$                                      | —   | 78  | 100 | $\mu\text{A}$ |
|                                     |                                | $f_{\text{AUXHFRCO}} = 7 \text{ MHz}$                                       | —   | 54  | 75  | $\mu\text{A}$ |
|                                     |                                | $f_{\text{AUXHFRCO}} = 4 \text{ MHz}$                                       | —   | 30  | 45  | $\mu\text{A}$ |
|                                     |                                | $f_{\text{AUXHFRCO}} = 2 \text{ MHz}$                                       | —   | 27  | 40  | $\mu\text{A}$ |
|                                     |                                | $f_{\text{AUXHFRCO}} = 1 \text{ MHz}$                                       | —   | 25  | 37  | $\mu\text{A}$ |
| Coarse trim step size (% of period) | $SS_{\text{AUXHFRCO\_COARSE}}$ |                                                                             | —   | 0.8 | —   | %             |
| Fine trim step size (% of period)   | $SS_{\text{AUXHFRCO\_FINE}}$   |                                                                             | —   | 0.1 | —   | %             |
| Period jitter                       | $PJ_{\text{AUXHFRCO}}$         |                                                                             | —   | 0.2 | —   | % RMS         |

#### 4.1.9.6 Ultra-low Frequency RC Oscillator (ULFRCO)

**Table 4.16. Ultra-low Frequency RC Oscillator (ULFRCO)**

| Parameter             | Symbol              | Test Condition | Min  | Typ | Max  | Unit |
|-----------------------|---------------------|----------------|------|-----|------|------|
| Oscillation frequency | $f_{\text{ULFRCO}}$ |                | 0.88 | 1   | 1.12 | kHz  |



#### 4.1.10 Flash Memory Characteristics<sup>1</sup>

**Table 4.17. Flash Memory Characteristics<sup>1</sup>**

| Parameter                                   | Symbol               | Test Condition                                | Min   | Typ | Max | Unit   |
|---------------------------------------------|----------------------|-----------------------------------------------|-------|-----|-----|--------|
| Flash erase cycles before failure           | EC <sub>FLASH</sub>  |                                               | 10000 | —   | —   | cycles |
| Flash data retention                        | RET <sub>FLASH</sub> | T ≤ 85 °C                                     | 10    | —   | —   | years  |
|                                             |                      | T ≤ 125 °C                                    | 10    | —   | —   | years  |
| Word (32-bit) programming time              | t <sub>W_PROG</sub>  | Burst write, 128 words, average time per word | 20    | 26  | 32  | µs     |
|                                             |                      | Single word                                   | 59    | 68  | 83  | µs     |
| Page erase time <sup>2</sup>                | t <sub>PERASE</sub>  |                                               | 20    | 27  | 35  | ms     |
| Mass erase time <sup>3</sup>                | t <sub>MERASE</sub>  |                                               | 20    | 27  | 35  | ms     |
| Device erase time <sup>4 5</sup>            | t <sub>DERASE</sub>  | T ≤ 85 °C                                     | —     | 54  | 70  | ms     |
|                                             |                      | T ≤ 125 °C                                    | —     | 54  | 75  | ms     |
| Erase current <sup>6</sup>                  | I <sub>ERASE</sub>   | Page Erase                                    | —     | —   | 1.7 | mA     |
|                                             |                      | Mass or Device Erase                          | —     | —   | 2.0 | mA     |
| Write current <sup>6</sup>                  | I <sub>WRITE</sub>   |                                               | —     | —   | 3.5 | mA     |
| Supply voltage during flash erase and write | V <sub>FLASH</sub>   |                                               | 1.62  | —   | 3.6 | V      |

**Note:**

1. Flash data retention information is published in the Quarterly Quality and Reliability Report.
2. From setting the ERASEPAGE bit in MSC\_WRITECMD to 1 until the BUSY bit in MSC\_STATUS is cleared to 0. Internal setup and hold times for flash control signals are included.
3. Mass erase is issued by the CPU and erases all flash.
4. Device erase is issued over the AAP interface and erases all flash, SRAM, the Lock Bit (LB) page, and the User data page Lock Word (ULW).
5. From setting the DEVICEERASE bit in AAP\_CMD to 1 until the ERASEBUSY bit in AAP\_STATUS is cleared to 0. Internal setup and hold times for flash control signals are included.
6. Measured at 25 °C.

#### 4.1.11 General-Purpose I/O (GPIO)

Table 4.18. General-Purpose I/O (GPIO)

| Parameter                                                      | Symbol          | Test Condition                                                             | Min               | Typ | Max               | Unit |
|----------------------------------------------------------------|-----------------|----------------------------------------------------------------------------|-------------------|-----|-------------------|------|
| Input low voltage                                              | $V_{IL}$        | GPIO pins                                                                  | —                 | —   | $IOVDD \cdot 0.3$ | V    |
| Input high voltage                                             | $V_{IH}$        | GPIO pins                                                                  | $IOVDD \cdot 0.7$ | —   | —                 | V    |
| Output high voltage relative to IOVDD                          | $V_{OH}$        | Sourcing 3 mA, $IOVDD \geq 3$ V,<br>DRIVESTRENGTH <sup>1</sup> = WEAK      | $IOVDD \cdot 0.8$ | —   | —                 | V    |
|                                                                |                 | Sourcing 1.2 mA, $IOVDD \geq 1.62$ V,<br>DRIVESTRENGTH <sup>1</sup> = WEAK | $IOVDD \cdot 0.6$ | —   | —                 | V    |
|                                                                |                 | Sourcing 20 mA, $IOVDD \geq 3$ V,<br>DRIVESTRENGTH <sup>1</sup> = STRONG   | $IOVDD \cdot 0.8$ | —   | —                 | V    |
|                                                                |                 | Sourcing 8 mA, $IOVDD \geq 1.62$ V,<br>DRIVESTRENGTH <sup>1</sup> = STRONG | $IOVDD \cdot 0.6$ | —   | —                 | V    |
| Output low voltage relative to IOVDD                           | $V_{OL}$        | Sinking 3 mA, $IOVDD \geq 3$ V,<br>DRIVESTRENGTH <sup>1</sup> = WEAK       | —                 | —   | $IOVDD \cdot 0.2$ | V    |
|                                                                |                 | Sinking 1.2 mA, $IOVDD \geq 1.62$ V,<br>DRIVESTRENGTH <sup>1</sup> = WEAK  | —                 | —   | $IOVDD \cdot 0.4$ | V    |
|                                                                |                 | Sinking 20 mA, $IOVDD \geq 3$ V,<br>DRIVESTRENGTH <sup>1</sup> = STRONG    | —                 | —   | $IOVDD \cdot 0.2$ | V    |
|                                                                |                 | Sinking 8 mA, $IOVDD \geq 1.62$ V,<br>DRIVESTRENGTH <sup>1</sup> = STRONG  | —                 | —   | $IOVDD \cdot 0.4$ | V    |
| Input leakage current                                          | $I_{IOLEAK}$    | All GPIO except LFXO pins, $GPIO \leq IOVDD$ , $T \leq 85$ °C              | —                 | 0.1 | 40                | nA   |
|                                                                |                 | LFXO Pins, $GPIO \leq IOVDD$ , $T \leq 85$ °C                              | —                 | 0.1 | 60                | nA   |
|                                                                |                 | All GPIO except LFXO pins, $GPIO \leq IOVDD$ , $T > 85$ °C                 | —                 | —   | 150               | nA   |
|                                                                |                 | LFXO Pins, $GPIO \leq IOVDD$ , $T > 85$ °C                                 | —                 | —   | 300               | nA   |
| Input leakage current on 5VTOL pads above IOVDD                | $I_{5VTOLLEAK}$ | $IOVDD < GPIO \leq IOVDD + 2$ V                                            | —                 | 3.3 | 15                | μA   |
| I/O pin pull-up/pull-down resistor                             | $R_{PUD}$       |                                                                            | 30                | 40  | 65                | kΩ   |
| Pulse width of pulses removed by the glitch suppression filter | $t_{IOGLITCH}$  |                                                                            | 15                | 25  | 45                | ns   |

| Parameter                                     | Symbol    | Test Condition                                                                        | Min | Typ | Max | Unit |
|-----------------------------------------------|-----------|---------------------------------------------------------------------------------------|-----|-----|-----|------|
| Output fall time, From 70% to 30% of $V_{IO}$ | $t_{IOF}$ | $C_L = 50$ pF,<br>DRIVESTRENGTH <sup>1</sup> = STRONG,<br>SLEWRATE <sup>1</sup> = 0x6 | —   | 1.8 | —   | ns   |
|                                               |           | $C_L = 50$ pF,<br>DRIVESTRENGTH <sup>1</sup> = WEAK,<br>SLEWRATE <sup>1</sup> = 0x6   | —   | 4.5 | —   | ns   |
| Output rise time, From 30% to 70% of $V_{IO}$ | $t_{IOR}$ | $C_L = 50$ pF,<br>DRIVESTRENGTH <sup>1</sup> = STRONG,<br>SLEWRATE = 0x6 <sup>1</sup> | —   | 2.2 | —   | ns   |
|                                               |           | $C_L = 50$ pF,<br>DRIVESTRENGTH <sup>1</sup> = WEAK,<br>SLEWRATE <sup>1</sup> = 0x6   | —   | 7.4 | —   | ns   |
| <b>Note:</b><br>1. In GPIO_Pn_CTRL register.  |           |                                                                                       |     |     |     |      |

#### 4.1.12 Voltage Monitor (VMON)

**Table 4.19. Voltage Monitor (VMON)**

| Parameter                                      | Symbol                  | Test Condition                                              | Min  | Typ  | Max | Unit |
|------------------------------------------------|-------------------------|-------------------------------------------------------------|------|------|-----|------|
| Supply current (including I <sub>SENSE</sub> ) | I <sub>VMON</sub>       | In EM0 or EM1, 1 active channel, T ≤ 85 °C                  | —    | 6.3  | 11  | μA   |
|                                                |                         | In EM0 or EM1, All channels active, T ≤ 85 °C               | —    | 12.5 | 20  | μA   |
|                                                |                         | In EM2, EM3 or EM4, 1 channel active and above threshold    | —    | 62   | —   | nA   |
|                                                |                         | In EM2, EM3 or EM4, 1 channel active and below threshold    | —    | 62   | —   | nA   |
|                                                |                         | In EM2, EM3 or EM4, All channels active and above threshold | —    | 99   | —   | nA   |
|                                                |                         | In EM2, EM3 or EM4, All channels active and below threshold | —    | 99   | —   | nA   |
| Loading of monitored supply                    | I <sub>SENSE</sub>      | In EM0 or EM1                                               | —    | 2    | —   | μA   |
|                                                |                         | In EM2, EM3 or EM4                                          | —    | 2    | —   | nA   |
| Threshold range                                | V <sub>VMON_RANGE</sub> |                                                             | 1.62 | —    | 3.4 | V    |
| Threshold step size                            | N <sub>VMON_STESP</sub> | Coarse                                                      | —    | 200  | —   | mV   |
|                                                |                         | Fine                                                        | —    | 20   | —   | mV   |
| Response time                                  | t <sub>VMON_RES</sub>   | Supply drops at 1V/μs rate                                  | —    | 460  | —   | ns   |
| Hysteresis                                     | V <sub>VMON_HYST</sub>  |                                                             | —    | 26   | —   | mV   |

### 4.1.13 Analog to Digital Converter (ADC)

Specified at 1 Msps, ADCCLK = 16 MHz, BIASPROG = 0, GPBIASACC = 0, unless otherwise indicated.

**Table 4.20. Analog to Digital Converter (ADC)**

| Parameter                                                                                                                                              | Symbol                               | Test Condition                                                           | Min                 | Typ | Max                | Unit |
|--------------------------------------------------------------------------------------------------------------------------------------------------------|--------------------------------------|--------------------------------------------------------------------------|---------------------|-----|--------------------|------|
| Resolution                                                                                                                                             | V <sub>RESOLUTION</sub>              |                                                                          | 6                   | —   | 12                 | Bits |
| Input voltage range <sup>1</sup>                                                                                                                       | V <sub>ADCIN</sub>                   | Single ended                                                             | —                   | —   | V <sub>FS</sub>    | V    |
|                                                                                                                                                        |                                      | Differential                                                             | -V <sub>FS</sub> /2 | —   | V <sub>FS</sub> /2 | V    |
| Input range of external reference voltage, single ended and differential                                                                               | V <sub>ADCREFIN_P</sub>              |                                                                          | 1                   | —   | V <sub>AVDD</sub>  | V    |
| Power supply rejection <sup>2</sup>                                                                                                                    | PSRR <sub>ADC</sub>                  | At DC                                                                    | —                   | 80  | —                  | dB   |
| Analog input common mode rejection ratio                                                                                                               | CMRR <sub>ADC</sub>                  | At DC                                                                    | —                   | 80  | —                  | dB   |
| Current from all supplies, using internal reference buffer. Continuous operation. WAR-<br>MUPMODE <sup>3</sup> = KEEPADC-<br>WARM                      | I <sub>ADC_CONTINU-<br/>OUS_LP</sub> | 1 Msps / 16 MHz ADCCLK, BIA-<br>SPROG = 0, GPBIASACC = 1 <sup>4</sup>    | —                   | 270 | 350                | μA   |
|                                                                                                                                                        |                                      | 250 ksps / 4 MHz ADCCLK, BIA-<br>SPROG = 6, GPBIASACC = 1 <sup>4</sup>   | —                   | 125 | —                  | μA   |
|                                                                                                                                                        |                                      | 62.5 ksps / 1 MHz ADCCLK, BIA-<br>SPROG = 15, GPBIASACC = 1 <sup>4</sup> | —                   | 80  | —                  | μA   |
| Current from all supplies, using internal reference buffer. Duty-cycled operation. WAR-<br>MUPMODE <sup>3</sup> = NORMAL                               | I <sub>ADC_NORMAL_LP</sub>           | 35 ksps / 16 MHz ADCCLK, BIA-<br>SPROG = 0, GPBIASACC = 1 <sup>4</sup>   | —                   | 45  | —                  | μA   |
|                                                                                                                                                        |                                      | 5 ksps / 16 MHz ADCCLK BIA-<br>SPROG = 0, GPBIASACC = 1 <sup>4</sup>     | —                   | 8   | —                  | μA   |
| Current from all supplies, using internal reference buffer. Duty-cycled operation. AWARMUPMODE <sup>3</sup> = KEEP-<br>INSTANDBY or KEEPIN-<br>SLOWACC | I <sub>ADC_STAND-<br/>BY_LP</sub>    | 125 ksps / 16 MHz ADCCLK, BIA-<br>SPROG = 0, GPBIASACC = 1 <sup>4</sup>  | —                   | 105 | —                  | μA   |
|                                                                                                                                                        |                                      | 35 ksps / 16 MHz ADCCLK, BIA-<br>SPROG = 0, GPBIASACC = 1 <sup>4</sup>   | —                   | 70  | —                  | μA   |
| Current from all supplies, using internal reference buffer. Continuous operation. WAR-<br>MUPMODE <sup>3</sup> = KEEPADC-<br>WARM                      | I <sub>ADC_CONTINU-<br/>OUS_HP</sub> | 1 Msps / 16 MHz ADCCLK, BIA-<br>SPROG = 0, GPBIASACC = 0 <sup>4</sup>    | —                   | 325 | —                  | μA   |
|                                                                                                                                                        |                                      | 250 ksps / 4 MHz ADCCLK, BIA-<br>SPROG = 6, GPBIASACC = 0 <sup>4</sup>   | —                   | 175 | —                  | μA   |
|                                                                                                                                                        |                                      | 62.5 ksps / 1 MHz ADCCLK, BIA-<br>SPROG = 15, GPBIASACC = 0 <sup>4</sup> | —                   | 125 | —                  | μA   |
| Current from all supplies, using internal reference buffer. Duty-cycled operation. WAR-<br>MUPMODE <sup>3</sup> = NORMAL                               | I <sub>ADC_NORMAL_HP</sub>           | 35 ksps / 16 MHz ADCCLK, BIA-<br>SPROG = 0, GPBIASACC = 0 <sup>4</sup>   | —                   | 85  | —                  | μA   |
|                                                                                                                                                        |                                      | 5 ksps / 16 MHz ADCCLK BIA-<br>SPROG = 0, GPBIASACC = 0 <sup>4</sup>     | —                   | 16  | —                  | μA   |
| Current from all supplies, using internal reference buffer. Duty-cycled operation. AWARMUPMODE <sup>3</sup> = KEEP-<br>INSTANDBY or KEEPIN-<br>SLOWACC | I <sub>ADC_STAND-<br/>BY_HP</sub>    | 125 ksps / 16 MHz ADCCLK, BIA-<br>SPROG = 0, GPBIASACC = 0 <sup>4</sup>  | —                   | 160 | —                  | μA   |
|                                                                                                                                                        |                                      | 35 ksps / 16 MHz ADCCLK, BIA-<br>SPROG = 0, GPBIASACC = 0 <sup>4</sup>   | —                   | 125 | —                  | μA   |
| Current from HFPERCLK                                                                                                                                  | I <sub>ADC_CLK</sub>                 | HFPERCLK = 16 MHz                                                        | —                   | 166 | —                  | μA   |

| Parameter                                         | Symbol                    | Test Condition                                             | Min | Typ   | Max | Unit          |
|---------------------------------------------------|---------------------------|------------------------------------------------------------|-----|-------|-----|---------------|
| ADC clock frequency                               | $f_{\text{ADCCLK}}$       |                                                            | —   | —     | 16  | MHz           |
| Throughput rate                                   | $f_{\text{ADCRATE}}$      |                                                            | —   | —     | 1   | Msp/s         |
| Conversion time <sup>5</sup>                      | $t_{\text{ADCCONV}}$      | 6 bit                                                      | —   | 7     | —   | cycles        |
|                                                   |                           | 8 bit                                                      | —   | 9     | —   | cycles        |
|                                                   |                           | 12 bit                                                     | —   | 13    | —   | cycles        |
| Startup time of reference generator and ADC core  | $t_{\text{ADCSTART}}$     | WARMUPMODE <sup>3</sup> = NORMAL                           | —   | —     | 5   | $\mu\text{s}$ |
|                                                   |                           | WARMUPMODE <sup>3</sup> = KEEPIN-STANDBY                   | —   | —     | 2   | $\mu\text{s}$ |
|                                                   |                           | WARMUPMODE <sup>3</sup> = KEEPINSLOWACC                    | —   | —     | 1   | $\mu\text{s}$ |
| SNDR at 1Msp/s and $f_{\text{IN}} = 10\text{kHz}$ | SNDR <sub>ADC</sub>       | Internal reference <sup>6</sup> , differential measurement | 58  | 67    | —   | dB            |
|                                                   |                           | External reference <sup>7</sup> , differential measurement | —   | 68    | —   | dB            |
| Spurious-free dynamic range (SFDR)                | SFDR <sub>ADC</sub>       | 1 MSamples/s, 10 kHz full-scale sine wave                  | —   | 75    | —   | dB            |
| Differential non-linearity (DNL)                  | DNL <sub>ADC</sub>        | 12 bit resolution, No missing codes                        | -1  | —     | 2   | LSB           |
| Integral non-linearity (INL), End point method    | INL <sub>ADC</sub>        | 12 bit resolution                                          | -6  | —     | 6   | LSB           |
| Offset error                                      | $V_{\text{ADCOFFSETERR}}$ |                                                            | -3  | 0     | 3   | LSB           |
| Gain error in ADC                                 | $V_{\text{ADCGAIN}}$      | Using internal reference                                   | —   | -0.2  | 3.5 | %             |
|                                                   |                           | Using external reference                                   | —   | -1    | —   | %             |
| Temperature sensor slope                          | $V_{\text{TS\_SLOPE}}$    |                                                            | —   | -1.84 | —   | mV/°C         |

**Note:**

- The absolute voltage allowed at any ADC input is dictated by the power rail supplied to on-chip circuitry, and may be lower than the effective full scale voltage. All ADC inputs are limited to the ADC supply (AVDD or DVDD depending on EMU\_PWRCTRL\_ANASW). Any ADC input routed through the APORT will further be limited by the IOVDD supply to the pin.
- PSRR is referenced to AVDD when ANASW=0 and to DVDD when ANASW=1 in EMU\_PWRCTRL.
- In ADCn\_CNTL register.
- In ADCn\_BIASPROG register.
- Derived from ADCCLK.
- Internal reference option used corresponds to selection 2V5 in the SINGLECTRL\_REF or SCANCTRL\_REF register field. The differential input range with this configuration is  $\pm 1.25\text{ V}$ . Typical value is characterized using full-scale sine wave input. Minimum value is production-tested using sine wave input at 1.5 dB lower than full scale.
- External reference is 1.25 V applied externally to ADCnEXTREFP, with the selection CONF in the SINGLECTRL\_REF or SCANCTRL\_REF register field and VREFP in the SINGLECTRLX\_VREFSEL or SCANCTRLX\_VREFSEL field. The differential input range with this configuration is  $\pm 1.25\text{ V}$ .

4.1.14 Analog Comparator (ACMP)

Table 4.21. Analog Comparator (ACMP)

| Parameter                                                           | Symbol        | Test Condition                                                       | Min | Typ | Max                | Unit |
|---------------------------------------------------------------------|---------------|----------------------------------------------------------------------|-----|-----|--------------------|------|
| Input voltage range                                                 | $V_{ACMPIN}$  | ACMPVDD =<br>ACMPn_CTRL_PWRSEL <sup>1</sup>                          | —   | —   | $V_{ACMPVDD}$      | V    |
| Supply voltage                                                      | $V_{ACMPVDD}$ | BIASPROG <sup>2</sup> ≤ 0x10 or FULL-<br>BIAS <sup>2</sup> = 0       | 1.8 | —   | $V_{VREGVDD\_MAX}$ | V    |
|                                                                     |               | 0x10 < BIASPROG <sup>2</sup> ≤ 0x20 and<br>FULLBIAS <sup>2</sup> = 1 | 2.1 | —   | $V_{VREGVDD\_MAX}$ | V    |
| Active current not including<br>voltage reference <sup>3</sup>      | $I_{ACMP}$    | BIASPROG <sup>2</sup> = 1, FULLBIAS <sup>2</sup> = 0                 | —   | 50  | —                  | nA   |
|                                                                     |               | BIASPROG <sup>2</sup> = 0x10, FULLBIAS <sup>2</sup><br>= 0           | —   | 306 | —                  | nA   |
|                                                                     |               | BIASPROG <sup>2</sup> = 0x02, FULLBIAS <sup>2</sup><br>= 1           | —   | 6.5 | —                  | μA   |
|                                                                     |               | BIASPROG <sup>2</sup> = 0x20, FULLBIAS <sup>2</sup><br>= 1           | —   | 74  | 100                | μA   |
| Current consumption of inter-<br>nal voltage reference <sup>3</sup> | $I_{ACMPREF}$ | VLP selected as input using 2.5 V<br>Reference / 4 (0.625 V)         | —   | 50  | —                  | nA   |
|                                                                     |               | VLP selected as input using VDD                                      | —   | 20  | —                  | nA   |
|                                                                     |               | VBDIV selected as input using<br>1.25 V reference / 1                | —   | 4.1 | —                  | μA   |
|                                                                     |               | VADIV selected as input using<br>VDD/1                               | —   | 2.4 | —                  | μA   |

| Parameter                                                                        | Symbol           | Test Condition                         | Min  | Typ      | Max  | Unit          |
|----------------------------------------------------------------------------------|------------------|----------------------------------------|------|----------|------|---------------|
| Hysteresis ( $V_{CM} = 1.25\text{ V}$ , $BIASPROG^2 = 0x10$ , $FULLBIAS^2 = 1$ ) | $V_{ACMPHYST}$   | $HYSTSEL^4 = HYST0$                    | -3   | 0        | 3    | mV            |
|                                                                                  |                  | $HYSTSEL^4 = HYST1$                    | 5    | 18       | 27   | mV            |
|                                                                                  |                  | $HYSTSEL^4 = HYST2$                    | 12   | 33       | 50   | mV            |
|                                                                                  |                  | $HYSTSEL^4 = HYST3$                    | 17   | 46       | 67   | mV            |
|                                                                                  |                  | $HYSTSEL^4 = HYST4$                    | 23   | 57       | 92   | mV            |
|                                                                                  |                  | $HYSTSEL^4 = HYST5$                    | 26   | 68       | 108  | mV            |
|                                                                                  |                  | $HYSTSEL^4 = HYST6$                    | 30   | 79       | 140  | mV            |
|                                                                                  |                  | $HYSTSEL^4 = HYST7$                    | 34   | 90       | 160  | mV            |
|                                                                                  |                  | $HYSTSEL^4 = HYST8$                    | -3   | 0        | 3    | mV            |
|                                                                                  |                  | $HYSTSEL^4 = HYST9$                    | -27  | -18      | -5   | mV            |
|                                                                                  |                  | $HYSTSEL^4 = HYST10$                   | -50  | -33      | -12  | mV            |
|                                                                                  |                  | $HYSTSEL^4 = HYST11$                   | -67  | -45      | -17  | mV            |
|                                                                                  |                  | $HYSTSEL^4 = HYST12$                   | -92  | -57      | -23  | mV            |
|                                                                                  |                  | $HYSTSEL^4 = HYST13$                   | -108 | -67      | -26  | mV            |
|                                                                                  |                  | $HYSTSEL^4 = HYST14$                   | -140 | -78      | -30  | mV            |
| $HYSTSEL^4 = HYST15$                                                             | -160             | -88                                    | -34  | mV       |      |               |
| Comparator delay <sup>5</sup>                                                    | $t_{ACMPDELAY}$  | $BIASPROG^2 = 1$ , $FULLBIAS^2 = 0$    | —    | 30       | —    | $\mu\text{s}$ |
|                                                                                  |                  | $BIASPROG^2 = 0x10$ , $FULLBIAS^2 = 0$ | —    | 3.7      | —    | $\mu\text{s}$ |
|                                                                                  |                  | $BIASPROG^2 = 0x02$ , $FULLBIAS^2 = 1$ | —    | 360      | —    | ns            |
|                                                                                  |                  | $BIASPROG^2 = 0x20$ , $FULLBIAS^2 = 1$ | —    | 35       | —    | ns            |
| Offset voltage                                                                   | $V_{ACMPOFFSET}$ | $BIASPROG^2 = 0x10$ , $FULLBIAS^2 = 1$ | -35  | —        | 35   | mV            |
| Reference voltage                                                                | $V_{ACMPREF}$    | Internal 1.25 V reference              | 1    | 1.25     | 1.47 | V             |
|                                                                                  |                  | Internal 2.5 V reference               | 1.98 | 2.5      | 2.8  | V             |
| Capacitive sense internal resistance                                             | $R_{CSRES}$      | $CSRESSEL^6 = 0$                       | —    | infinite | —    | k $\Omega$    |
|                                                                                  |                  | $CSRESSEL^6 = 1$                       | —    | 15       | —    | k $\Omega$    |
|                                                                                  |                  | $CSRESSEL^6 = 2$                       | —    | 27       | —    | k $\Omega$    |
|                                                                                  |                  | $CSRESSEL^6 = 3$                       | —    | 39       | —    | k $\Omega$    |
|                                                                                  |                  | $CSRESSEL^6 = 4$                       | —    | 51       | —    | k $\Omega$    |
|                                                                                  |                  | $CSRESSEL^6 = 5$                       | —    | 100      | —    | k $\Omega$    |
|                                                                                  |                  | $CSRESSEL^6 = 6$                       | —    | 162      | —    | k $\Omega$    |
|                                                                                  |                  | $CSRESSEL^6 = 7$                       | —    | 235      | —    | k $\Omega$    |



| Parameter                                                                                                                                              | Symbol | Test Condition | Min | Typ | Max | Unit |
|--------------------------------------------------------------------------------------------------------------------------------------------------------|--------|----------------|-----|-----|-----|------|
| <b>Note:</b>                                                                                                                                           |        |                |     |     |     |      |
| 1. ACMPVDD is a supply chosen by the setting in ACMPn_CTRL_PWRSEL and may be IOVDD, AVDD or DVDD.                                                      |        |                |     |     |     |      |
| 2. In ACMPn_CTRL register.                                                                                                                             |        |                |     |     |     |      |
| 3. The total ACMP current is the sum of the contributions from the ACMP and its internal voltage reference. $I_{ACMPTOTAL} = I_{ACMP} + I_{ACMPREF}$ . |        |                |     |     |     |      |
| 4. In ACMPn_HYSTERESIS registers.                                                                                                                      |        |                |     |     |     |      |
| 5. $\pm 100$ mV differential drive.                                                                                                                    |        |                |     |     |     |      |
| 6. In ACMPn_INPUTSEL register.                                                                                                                         |        |                |     |     |     |      |

#### 4.1.15 Digital to Analog Converter (VDAC)

DRIVESTRENGTH = 2 unless otherwise specified. Primary VDAC output.

**Table 4.22. Digital to Analog Converter (VDAC)**

| Parameter                                                          | Symbol                  | Test Condition                                                                                                                      | Min                | Typ  | Max               | Unit   |
|--------------------------------------------------------------------|-------------------------|-------------------------------------------------------------------------------------------------------------------------------------|--------------------|------|-------------------|--------|
| Output voltage                                                     | V <sub>DACOUT</sub>     | Single-Ended                                                                                                                        | 0                  | —    | V <sub>VREF</sub> | V      |
|                                                                    |                         | Differential <sup>1</sup>                                                                                                           | -V <sub>VREF</sub> | —    | V <sub>VREF</sub> | V      |
| Current consumption including references (2 channels) <sup>2</sup> | I <sub>DAC</sub>        | 500 ksps, 12-bit, DRIVESTRENGTH = 2, REFSEL = 4                                                                                     | —                  | 396  | —                 | μA     |
|                                                                    |                         | 44.1 ksps, 12-bit, DRIVESTRENGTH = 1, REFSEL = 4                                                                                    | —                  | 72   | —                 | μA     |
|                                                                    |                         | 200 Hz refresh rate, 12-bit Sample-Off mode in EM2, DRIVESTRENGTH = 2, REFSEL = 4, SETTLETIME = 0x02, WARMUP-TIME = 0x0A            | —                  | 2    | —                 | μA     |
| Current from HFPERCLK <sup>3</sup>                                 | I <sub>DAC_CLK</sub>    |                                                                                                                                     | —                  | 5.8  | —                 | μA/MHz |
| Sample rate                                                        | SR <sub>DAC</sub>       |                                                                                                                                     | —                  | —    | 500               | ksps   |
| DAC clock frequency                                                | f <sub>DAC</sub>        |                                                                                                                                     | —                  | —    | 1                 | MHz    |
| Conversion time                                                    | t <sub>DACCONV</sub>    | f <sub>DAC</sub> = 1MHz                                                                                                             | 2                  | —    | —                 | μs     |
| Settling time                                                      | t <sub>DACSETTLE</sub>  | 50% fs step settling to 5 LSB                                                                                                       | —                  | 2.5  | —                 | μs     |
| Startup time                                                       | t <sub>DACSTARTUP</sub> | Enable to 90% fs output, settling to 10 LSB                                                                                         | —                  | —    | 12                | μs     |
| Output impedance                                                   | R <sub>OUT</sub>        | DRIVESTRENGTH = 2, 0.4 V ≤ V <sub>OUT</sub> ≤ V <sub>OPA</sub> - 0.4 V, -8 mA < I <sub>OUT</sub> < 8 mA, Full supply range          | —                  | 2    | —                 | Ω      |
|                                                                    |                         | DRIVESTRENGTH = 0 or 1, 0.4 V ≤ V <sub>OUT</sub> ≤ V <sub>OPA</sub> - 0.4 V, -400 μA < I <sub>OUT</sub> < 400 μA, Full supply range | —                  | 2    | —                 | Ω      |
|                                                                    |                         | DRIVESTRENGTH = 2, 0.1 V ≤ V <sub>OUT</sub> ≤ V <sub>OPA</sub> - 0.1 V, -2 mA < I <sub>OUT</sub> < 2 mA, Full supply range          | —                  | 2    | —                 | Ω      |
|                                                                    |                         | DRIVESTRENGTH = 0 or 1, 0.1 V ≤ V <sub>OUT</sub> ≤ V <sub>OPA</sub> - 0.1 V, -100 μA < I <sub>OUT</sub> < 100 μA, Full supply range | —                  | 2    | —                 | Ω      |
| Power supply rejection ratio <sup>4</sup>                          | PSRR                    | V <sub>out</sub> = 50% fs. DC                                                                                                       | —                  | 65.5 | —                 | dB     |

| Parameter                                                                             | Symbol                   | Test Condition                                                                              | Min  | Typ  | Max | Unit |
|---------------------------------------------------------------------------------------|--------------------------|---------------------------------------------------------------------------------------------|------|------|-----|------|
| Signal to noise and distortion ratio (1 kHz sine wave), Noise band limited to 250 kHz | SNDR <sub>DAC</sub>      | 500 ksps, single-ended, internal 1.25V reference                                            | —    | 60.4 | —   | dB   |
|                                                                                       |                          | 500 ksps, single-ended, internal 2.5V reference                                             | —    | 61.6 | —   | dB   |
|                                                                                       |                          | 500 ksps, single-ended, 3.3V VDD reference                                                  | —    | 64.0 | —   | dB   |
|                                                                                       |                          | 500 ksps, differential, internal 1.25V reference                                            | —    | 63.3 | —   | dB   |
|                                                                                       |                          | 500 ksps, differential, internal 2.5V reference                                             | —    | 64.4 | —   | dB   |
|                                                                                       |                          | 500 ksps, differential, 3.3V VDD reference                                                  | —    | 65.8 | —   | dB   |
| Signal to noise and distortion ratio (1 kHz sine wave), Noise band limited to 22 kHz  | SNDR <sub>DAC_BAND</sub> | 500 ksps, single-ended, internal 1.25V reference                                            | —    | 65.3 | —   | dB   |
|                                                                                       |                          | 500 ksps, single-ended, internal 2.5V reference                                             | —    | 66.7 | —   | dB   |
|                                                                                       |                          | 500 ksps, single-ended, 3.3V VDD reference                                                  | —    | 70.0 | —   | dB   |
|                                                                                       |                          | 500 ksps, differential, internal 1.25V reference                                            | —    | 67.8 | —   | dB   |
|                                                                                       |                          | 500 ksps, differential, internal 2.5V reference                                             | —    | 69.0 | —   | dB   |
|                                                                                       |                          | 500 ksps, differential, 3.3V VDD reference                                                  | —    | 68.5 | —   | dB   |
| Total harmonic distortion                                                             | THD                      |                                                                                             | —    | 70.2 | —   | dB   |
| Differential non-linearity <sup>5</sup>                                               | DNL <sub>DAC</sub>       |                                                                                             | -1.5 | —    | 1.5 | LSB  |
| Integral non-linearity                                                                | INL <sub>DAC</sub>       |                                                                                             | -4   | —    | 4   | LSB  |
| Offset error <sup>6</sup>                                                             | V <sub>OFFSET</sub>      | T = 25 °C                                                                                   | -8   | —    | 8   | mV   |
|                                                                                       |                          | Across operating temperature range                                                          | -25  | —    | 25  | mV   |
| Gain error <sup>6</sup>                                                               | V <sub>GAIN</sub>        | T = 25 °C, Low-noise internal reference (REFSEL = 1V25LN or 2V5LN)                          | -2.5 | —    | 2.5 | %    |
|                                                                                       |                          | Across operating temperature range, Low-noise internal reference (REFSEL = 1V25LN or 2V5LN) | -3.5 | —    | 3.5 | %    |
| External load capacitance, OUTSCALE=0                                                 | C <sub>LOAD</sub>        |                                                                                             | —    | —    | 75  | pF   |

| Parameter                                                                                                                                                                                                                                                                                                                                                                                                                                                                                                                                                                                                                                                                                                                                                                                                                                                                                                                                                                                                      | Symbol | Test Condition | Min | Typ | Max | Unit |
|----------------------------------------------------------------------------------------------------------------------------------------------------------------------------------------------------------------------------------------------------------------------------------------------------------------------------------------------------------------------------------------------------------------------------------------------------------------------------------------------------------------------------------------------------------------------------------------------------------------------------------------------------------------------------------------------------------------------------------------------------------------------------------------------------------------------------------------------------------------------------------------------------------------------------------------------------------------------------------------------------------------|--------|----------------|-----|-----|-----|------|
| <b>Note:</b>                                                                                                                                                                                                                                                                                                                                                                                                                                                                                                                                                                                                                                                                                                                                                                                                                                                                                                                                                                                                   |        |                |     |     |     |      |
| <ol style="list-style-type: none"> <li>1. In differential mode, the output is defined as the difference between two single-ended outputs. Absolute voltage on each output is limited to the single-ended range.</li> <li>2. Supply current specifications are for VDAC circuitry operating with static output only and do not include current required to drive the load.</li> <li>3. Current from HUPERCLK is dependent on HUPERCLK frequency. This current contributes to the total supply current used when the clock to the DAC peripheral is enabled in the CMU.</li> <li>4. PSRR calculated as <math>20 * \log_{10}(\Delta V_{DD} / \Delta V_{OUT})</math>, VDAC output at 90% of full scale</li> <li>5. Entire range is monotonic and has no missing codes.</li> <li>6. Gain is calculated by measuring the slope from 10% to 90% of full scale. Offset is calculated by comparing actual VDAC output at 10% of full scale to ideal VDAC output at 10% of full scale with the measured gain.</li> </ol> |        |                |     |     |     |      |

#### 4.1.16 Capacitive Sense (CSEN)

**Table 4.23. Capacitive Sense (CSEN)**

| Parameter                                                               | Symbol                 | Test Condition                                                                                                                                         | Min | Typ  | Max | Unit |
|-------------------------------------------------------------------------|------------------------|--------------------------------------------------------------------------------------------------------------------------------------------------------|-----|------|-----|------|
| Single conversion time (1x accumulation)                                | t <sub>CNV</sub>       | 12-bit SAR Conversions                                                                                                                                 | —   | 20.2 | —   | μs   |
|                                                                         |                        | 16-bit SAR Conversions                                                                                                                                 | —   | 26.4 | —   | μs   |
|                                                                         |                        | Delta Modulation Conversion (single comparison)                                                                                                        | —   | 1.55 | —   | μs   |
| Maximum external capacitive load                                        | C <sub>EXTMAX</sub>    | IREFPROG=7 (Gain = 1x), including routing parasitics                                                                                                   | —   | 68   | —   | pF   |
|                                                                         |                        | IREFPROG=0 (Gain = 10x), including routing parasitics                                                                                                  | —   | 680  | —   | pF   |
| Maximum external series impedance                                       | R <sub>EXTMAX</sub>    |                                                                                                                                                        | —   | 1    | —   | kΩ   |
| Supply current, EM2 bonded conversions, WARMUP-MODE=NORMAL, WARMUPCNT=0 | I <sub>CSEN_BOND</sub> | 12-bit SAR conversions, 20 ms conversion rate, IREFPROG=7 (Gain = 1x), 10 channels bonded (total capacitance of 330 pF) <sup>1</sup>                   | —   | 326  | —   | nA   |
|                                                                         |                        | Delta Modulation conversions, 20 ms conversion rate, IREFPROG=7 (Gain = 1x), 10 channels bonded (total capacitance of 330 pF) <sup>1</sup>             | —   | 226  | —   | nA   |
|                                                                         |                        | 12-bit SAR conversions, 200 ms conversion rate, IREFPROG=7 (Gain = 1x), 10 channels bonded (total capacitance of 330 pF) <sup>1</sup>                  | —   | 33   | —   | nA   |
|                                                                         |                        | Delta Modulation conversions, 200 ms conversion rate, IREFPROG=7 (Gain = 1x), 10 channels bonded (total capacitance of 330 pF) <sup>1</sup>            | —   | 25   | —   | nA   |
| Supply current, EM2 scan conversions, WARMUP-MODE=NORMAL, WARMUPCNT=0   | I <sub>CSEN_EM2</sub>  | 12-bit SAR conversions, 20 ms scan rate, IREFPROG=0 (Gain = 10x), 8 samples per scan <sup>1</sup>                                                      | —   | 690  | —   | nA   |
|                                                                         |                        | Delta Modulation conversions, 20 ms scan rate, 8 comparisons per sample (DMCR = 1, DMR = 2), IREFPROG=0 (Gain = 10x), 8 samples per scan <sup>1</sup>  | —   | 515  | —   | nA   |
|                                                                         |                        | 12-bit SAR conversions, 200 ms scan rate, IREFPROG=0 (Gain = 10x), 8 samples per scan <sup>1</sup>                                                     | —   | 79   | —   | nA   |
|                                                                         |                        | Delta Modulation conversions, 200 ms scan rate, 8 comparisons per sample (DMCR = 1, DMR = 2), IREFPROG=0 (Gain = 10x), 8 samples per scan <sup>1</sup> | —   | 57   | —   | nA   |

| Parameter                                                          | Symbol                     | Test Condition                                                                              | Min | Typ  | Max | Unit   |
|--------------------------------------------------------------------|----------------------------|---------------------------------------------------------------------------------------------|-----|------|-----|--------|
| Supply current, continuous conversions, WARMUP-MODE=KEEP_CSEN_WARM | I <sub>CSEN_ACTIVE</sub>   | SAR or Delta Modulation conversions of 33 pF capacitor, IRE-FPROG=0 (Gain = 10x), always on | —   | 90.5 | —   | μA     |
| HFPERCLK supply current                                            | I <sub>CSEN_HFPERCLK</sub> | Current contribution from HFPERCLK when clock to CSEN block is enabled.                     | —   | 2.25 | —   | μA/MHz |

**Note:**

1. Current is specified with a total external capacitance of 33 pF per channel. Average current is dependent on how long the peripheral is actively sampling channels within the scan period, and scales with the number of samples acquired. Supply current for a specific application can be estimated by multiplying the current per sample by the total number of samples per period (total\_current = single\_sample\_current \* (number\_of\_channels \* accumulation)).

#### 4.1.17 Operational Amplifier (OPAMP)

Unless otherwise indicated, specified conditions are: Non-inverting input configuration, VDD = 3.3 V, DRIVESTRENGTH = 2, MAIN-OUTEN = 1, C<sub>LOAD</sub> = 75 pF with OUTSCALE = 0, or C<sub>LOAD</sub> = 37.5 pF with OUTSCALE = 1. Unit gain buffer and 3X-gain connection as specified in table footnotes<sup>1 2</sup>.

**Table 4.24. Operational Amplifier (OPAMP)**

| Parameter                     | Symbol            | Test Condition                                                                                                                                         | Min              | Typ  | Max                   | Unit |
|-------------------------------|-------------------|--------------------------------------------------------------------------------------------------------------------------------------------------------|------------------|------|-----------------------|------|
| Supply voltage (from AVDD)    | V <sub>OPA</sub>  | HCMDIS = 0, Rail-to-rail input range                                                                                                                   | 2                | —    | 3.8                   | V    |
|                               |                   | HCMDIS = 1                                                                                                                                             | 1.62             | —    | 3.8                   | V    |
| Input voltage                 | V <sub>IN</sub>   | HCMDIS = 0, Rail-to-rail input range                                                                                                                   | V <sub>VSS</sub> | —    | V <sub>OPA</sub>      | V    |
|                               |                   | HCMDIS = 1                                                                                                                                             | V <sub>VSS</sub> | —    | V <sub>OPA</sub> -1.2 | V    |
| Input impedance               | R <sub>IN</sub>   |                                                                                                                                                        | 100              | —    | —                     | MΩ   |
| Output voltage                | V <sub>OUT</sub>  |                                                                                                                                                        | V <sub>VSS</sub> | —    | V <sub>OPA</sub>      | V    |
| Load capacitance <sup>3</sup> | C <sub>LOAD</sub> | OUTSCALE = 0                                                                                                                                           | —                | —    | 75                    | pF   |
|                               |                   | OUTSCALE = 1                                                                                                                                           | —                | —    | 37.5                  | pF   |
| Output impedance              | R <sub>OUT</sub>  | DRIVESTRENGTH = 2 or 3, 0.4 V ≤ V <sub>OUT</sub> ≤ V <sub>OPA</sub> - 0.4 V, -8 mA < I <sub>OUT</sub> < 8 mA, Buffer connection, Full supply range     | —                | 0.25 | —                     | Ω    |
|                               |                   | DRIVESTRENGTH = 0 or 1, 0.4 V ≤ V <sub>OUT</sub> ≤ V <sub>OPA</sub> - 0.4 V, -400 μA < I <sub>OUT</sub> < 400 μA, Buffer connection, Full supply range | —                | 0.6  | —                     | Ω    |
|                               |                   | DRIVESTRENGTH = 2 or 3, 0.1 V ≤ V <sub>OUT</sub> ≤ V <sub>OPA</sub> - 0.1 V, -2 mA < I <sub>OUT</sub> < 2 mA, Buffer connection, Full supply range     | —                | 0.4  | —                     | Ω    |
|                               |                   | DRIVESTRENGTH = 0 or 1, 0.1 V ≤ V <sub>OUT</sub> ≤ V <sub>OPA</sub> - 0.1 V, -100 μA < I <sub>OUT</sub> < 100 μA, Buffer connection, Full supply range | —                | 1    | —                     | Ω    |
| Internal closed-loop gain     | G <sub>CL</sub>   | Buffer connection                                                                                                                                      | 0.99             | 1    | 1.01                  | -    |
|                               |                   | 3x Gain connection                                                                                                                                     | 2.93             | 2.99 | 3.05                  | -    |
|                               |                   | 16x Gain connection                                                                                                                                    | 15.07            | 15.7 | 16.33                 | -    |
| Active current <sup>4</sup>   | I <sub>OPA</sub>  | DRIVESTRENGTH = 3, OUTSCALE = 0                                                                                                                        | —                | 580  | —                     | μA   |
|                               |                   | DRIVESTRENGTH = 2, OUTSCALE = 0                                                                                                                        | —                | 176  | —                     | μA   |
|                               |                   | DRIVESTRENGTH = 1, OUTSCALE = 0                                                                                                                        | —                | 13   | —                     | μA   |
|                               |                   | DRIVESTRENGTH = 0, OUTSCALE = 0                                                                                                                        | —                | 4.7  | —                     | μA   |

| Parameter                             | Symbol           | Test Condition                                        | Min | Typ  | Max | Unit  |
|---------------------------------------|------------------|-------------------------------------------------------|-----|------|-----|-------|
| Open-loop gain                        | G <sub>OL</sub>  | DRIVESTRENGTH = 3                                     | —   | 135  | —   | dB    |
|                                       |                  | DRIVESTRENGTH = 2                                     | —   | 137  | —   | dB    |
|                                       |                  | DRIVESTRENGTH = 1                                     | —   | 121  | —   | dB    |
|                                       |                  | DRIVESTRENGTH = 0                                     | —   | 109  | —   | dB    |
| Loop unit-gain frequency <sup>5</sup> | UGF              | DRIVESTRENGTH = 3, Buffer connection                  | —   | 3.38 | —   | MHz   |
|                                       |                  | DRIVESTRENGTH = 2, Buffer connection                  | —   | 0.9  | —   | MHz   |
|                                       |                  | DRIVESTRENGTH = 1, Buffer connection                  | —   | 132  | —   | kHz   |
|                                       |                  | DRIVESTRENGTH = 0, Buffer connection                  | —   | 34   | —   | kHz   |
|                                       |                  | DRIVESTRENGTH = 3, 3x Gain connection                 | —   | 2.57 | —   | MHz   |
|                                       |                  | DRIVESTRENGTH = 2, 3x Gain connection                 | —   | 0.71 | —   | MHz   |
|                                       |                  | DRIVESTRENGTH = 1, 3x Gain connection                 | —   | 113  | —   | kHz   |
|                                       |                  | DRIVESTRENGTH = 0, 3x Gain connection                 | —   | 28   | —   | kHz   |
| Phase margin                          | PM               | DRIVESTRENGTH = 3, Buffer connection                  | —   | 67   | —   | °     |
|                                       |                  | DRIVESTRENGTH = 2, Buffer connection                  | —   | 69   | —   | °     |
|                                       |                  | DRIVESTRENGTH = 1, Buffer connection                  | —   | 63   | —   | °     |
|                                       |                  | DRIVESTRENGTH = 0, Buffer connection                  | —   | 68   | —   | °     |
| Output voltage noise                  | N <sub>OUT</sub> | DRIVESTRENGTH = 3, Buffer connection, 10 Hz - 10 MHz  | —   | 146  | —   | μVrms |
|                                       |                  | DRIVESTRENGTH = 2, Buffer connection, 10 Hz - 10 MHz  | —   | 163  | —   | μVrms |
|                                       |                  | DRIVESTRENGTH = 1, Buffer connection, 10 Hz - 1 MHz   | —   | 170  | —   | μVrms |
|                                       |                  | DRIVESTRENGTH = 0, Buffer connection, 10 Hz - 1 MHz   | —   | 176  | —   | μVrms |
|                                       |                  | DRIVESTRENGTH = 3, 3x Gain connection, 10 Hz - 10 MHz | —   | 313  | —   | μVrms |
|                                       |                  | DRIVESTRENGTH = 2, 3x Gain connection, 10 Hz - 10 MHz | —   | 271  | —   | μVrms |
|                                       |                  | DRIVESTRENGTH = 1, 3x Gain connection, 10 Hz - 1 MHz  | —   | 247  | —   | μVrms |
|                                       |                  | DRIVESTRENGTH = 0, 3x Gain connection, 10 Hz - 1 MHz  | —   | 245  | —   | μVrms |



| Parameter                                       | Symbol             | Test Condition                                                                                             | Min | Typ   | Max | Unit       |
|-------------------------------------------------|--------------------|------------------------------------------------------------------------------------------------------------|-----|-------|-----|------------|
| Slew rate <sup>6</sup>                          | SR                 | DRIVESTRENGTH = 3,<br>INCBW=1 <sup>7</sup>                                                                 | —   | 4.7   | —   | V/ $\mu$ s |
|                                                 |                    | DRIVESTRENGTH = 3,<br>INCBW=0                                                                              | —   | 1.5   | —   | V/ $\mu$ s |
|                                                 |                    | DRIVESTRENGTH = 2,<br>INCBW=1 <sup>7</sup>                                                                 | —   | 1.27  | —   | V/ $\mu$ s |
|                                                 |                    | DRIVESTRENGTH = 2,<br>INCBW=0                                                                              | —   | 0.42  | —   | V/ $\mu$ s |
|                                                 |                    | DRIVESTRENGTH = 1,<br>INCBW=1 <sup>7</sup>                                                                 | —   | 0.17  | —   | V/ $\mu$ s |
|                                                 |                    | DRIVESTRENGTH = 1,<br>INCBW=0                                                                              | —   | 0.058 | —   | V/ $\mu$ s |
|                                                 |                    | DRIVESTRENGTH = 0,<br>INCBW=1 <sup>7</sup>                                                                 | —   | 0.044 | —   | V/ $\mu$ s |
|                                                 |                    | DRIVESTRENGTH = 0,<br>INCBW=0                                                                              | —   | 0.015 | —   | V/ $\mu$ s |
| Startup time <sup>8</sup>                       | T <sub>START</sub> | DRIVESTRENGTH = 2                                                                                          | —   | —     | 12  | $\mu$ s    |
| Input offset voltage                            | V <sub>OSI</sub>   | DRIVESTRENGTH = 2 or 3, T =<br>25 °C                                                                       | -3  | —     | 3   | mV         |
|                                                 |                    | DRIVESTRENGTH = 1 or 0, T =<br>25 °C                                                                       | -3  | —     | 3   | mV         |
|                                                 |                    | DRIVESTRENGTH = 2 or 3,<br>across operating temperature<br>range                                           | -12 | —     | 12  | mV         |
|                                                 |                    | DRIVESTRENGTH = 1 or 0,<br>across operating temperature<br>range                                           | -30 | —     | 30  | mV         |
| DC power supply rejection<br>ratio <sup>9</sup> | PSRR <sub>DC</sub> | Input referred                                                                                             | —   | 70    | —   | dB         |
| DC common-mode rejection<br>ratio <sup>9</sup>  | CMRR <sub>DC</sub> | Input referred                                                                                             | —   | 70    | —   | dB         |
| Total harmonic distortion                       | THD <sub>OPA</sub> | DRIVESTRENGTH = 2, 3x Gain<br>connection, 1 kHz, V <sub>OUT</sub> = 0.1 V<br>to V <sub>OPA</sub> - 0.1 V   | —   | 90    | —   | dB         |
|                                                 |                    | DRIVESTRENGTH = 0, 3x Gain<br>connection, 0.1 kHz, V <sub>OUT</sub> = 0.1 V<br>to V <sub>OPA</sub> - 0.1 V | —   | 90    | —   | dB         |

| Parameter                                                                                                                                                                                                                                                                                                                                                      | Symbol | Test Condition | Min | Typ | Max | Unit |
|----------------------------------------------------------------------------------------------------------------------------------------------------------------------------------------------------------------------------------------------------------------------------------------------------------------------------------------------------------------|--------|----------------|-----|-----|-----|------|
| <b>Note:</b>                                                                                                                                                                                                                                                                                                                                                   |        |                |     |     |     |      |
| 1. Specified configuration for Unit gain buffer configuration is: INCBW = 0, HCMDIS = 0, RESINSEL = DISABLE. $V_{INPUT} = 0.5\text{ V}$ , $V_{OUTPUT} = 0.5\text{ V}$ .                                                                                                                                                                                        |        |                |     |     |     |      |
| 2. Specified configuration for 3X-Gain configuration is: INCBW = 1, HCMDIS = 1, RESINSEL = VSS, $V_{INPUT} = 0.5\text{ V}$ , $V_{OUTPUT} = 1.5\text{ V}$ . Nominal voltage gain is 3.                                                                                                                                                                          |        |                |     |     |     |      |
| 3. If the maximum $C_{LOAD}$ is exceeded, an isolation resistor is required for stability. See AN0038 for more information.                                                                                                                                                                                                                                    |        |                |     |     |     |      |
| 4. Current into the load resistor is excluded. When the OPAMP is connected with closed-loop gain > 1, there will be extra current to drive the resistor feedback network. The internal resistor feedback network has total resistance of 143.5 kOhm, which will cause another ~10 $\mu\text{A}$ current when the OPAMP drives 1.5 V between output and ground. |        |                |     |     |     |      |
| 5. In unit gain connection, UGF is the gain-bandwidth product of the OPAMP. In 3x Gain connection, UGF is the gain-bandwidth product of the OPAMP and 1/3 attenuation of the feedback network.                                                                                                                                                                 |        |                |     |     |     |      |
| 6. Step between 0.2V and $V_{OPA}-0.2\text{V}$ , 10%-90% rising/falling range.                                                                                                                                                                                                                                                                                 |        |                |     |     |     |      |
| 7. When INCBW is set to 1 the OPAMP bandwidth is increased. This is allowed only when the non-inverting close-loop gain is $\geq 3$ , or the OPAMP may not be stable.                                                                                                                                                                                          |        |                |     |     |     |      |
| 8. From enable to output settled. In sample-and-off mode, RC network after OPAMP will contribute extra delay. Settling error < 1mV.                                                                                                                                                                                                                            |        |                |     |     |     |      |
| 9. When HCMDIS=1 and input common mode transitions the region from $V_{OPA}-1.4\text{V}$ to $V_{OPA}-1\text{V}$ , input offset will change. PSRR and CMRR specifications do not apply to this transition region.                                                                                                                                               |        |                |     |     |     |      |

#### 4.1.18 LCD Driver

Table 4.25. LCD Driver

| Parameter                                                                                                             | Symbol            | Test Condition                                 | Min | Typ  | Max                              | Unit |
|-----------------------------------------------------------------------------------------------------------------------|-------------------|------------------------------------------------|-----|------|----------------------------------|------|
| Frame rate                                                                                                            | $f_{LCDFR}$       |                                                | 30  | —    | 100                              | Hz   |
| LCD supply range <sup>1</sup>                                                                                         | $V_{LCDIN}$       |                                                | 1.8 | —    | 3.8                              | V    |
| LCD output voltage range                                                                                              | $V_{LCD}$         | Current source mode, No external LCD capacitor | 2.0 | —    | $V_{LCDIN}-0.4$                  | V    |
|                                                                                                                       |                   | Step-down mode with external LCD capacitor     | 2.0 | —    | $V_{LCDIN}$                      | V    |
|                                                                                                                       |                   | Charge pump mode with external LCD capacitor   | 2.0 | —    | Min of 3.8 and 1.9 * $V_{LCDIN}$ | V    |
| Contrast control step size                                                                                            | $STEP_{CONTRAST}$ | Current source mode                            | —   | 64   | —                                | mV   |
|                                                                                                                       |                   | Charge pump or Step-down mode                  | —   | 43   | —                                | mV   |
| Contrast control step accuracy <sup>2</sup>                                                                           | $ACC_{CONTRAST}$  |                                                | —   | +/-4 | —                                | %    |
| <b>Note:</b>                                                                                                          |                   |                                                |     |      |                                  |      |
| 1. $V_{LCDIN}$ is selectable between the AVDD or DVDD supply pins, depending on EMU_PWRCTRL_ANASW.                    |                   |                                                |     |      |                                  |      |
| 2. Step size accuracy is measured relative to the typical step size, and typ value represents one standard deviation. |                   |                                                |     |      |                                  |      |

#### 4.1.19 Pulse Counter (PCNT)

**Table 4.26. Pulse Counter (PCNT)**

| Parameter       | Symbol          | Test Condition                               | Min | Typ | Max | Unit |
|-----------------|-----------------|----------------------------------------------|-----|-----|-----|------|
| Input frequency | F <sub>IN</sub> | Asynchronous Single and Quadrature Modes     | —   | —   | 20  | MHz  |
|                 |                 | Sampled Modes with Debounce filter set to 0. | —   | —   | 8   | kHz  |

#### 4.1.20 Analog Port (APORT)

**Table 4.27. Analog Port (APORT)**

| Parameter                     | Symbol             | Test Condition       | Min | Typ | Max | Unit |
|-------------------------------|--------------------|----------------------|-----|-----|-----|------|
| Supply current <sup>1 2</sup> | I <sub>APORT</sub> | Operation in EM0/EM1 | —   | 7   | —   | μA   |
|                               |                    | Operation in EM2/EM3 | —   | 65  | —   | nA   |

**Note:**

1. Supply current increase that occurs when an analog peripheral requests access to APORT. This current is not included in reported peripheral currents. Additional peripherals requesting access to APORT do not incur further current.
2. Specified current is for continuous APORT operation. In applications where the APORT is not requested continuously (e.g. periodic ACMP requests from LESENSE in EM2), the average current requirements can be estimated by multiplying the duty cycle of the requests by the specified continuous current number.

#### 4.1.21 I2C

##### 4.1.21.1 I2C Standard-mode (Sm)<sup>1</sup>

**Table 4.28. I2C Standard-mode (Sm)<sup>1</sup>**

| Parameter                                        | Symbol              | Test Condition | Min | Typ | Max  | Unit |
|--------------------------------------------------|---------------------|----------------|-----|-----|------|------|
| SCL clock frequency <sup>2</sup>                 | f <sub>SCL</sub>    |                | 0   | —   | 100  | kHz  |
| SCL clock low time                               | t <sub>LOW</sub>    |                | 4.7 | —   | —    | μs   |
| SCL clock high time                              | t <sub>HIGH</sub>   |                | 4   | —   | —    | μs   |
| SDA set-up time                                  | t <sub>SU_DAT</sub> |                | 250 | —   | —    | ns   |
| SDA hold time <sup>3</sup>                       | t <sub>HD_DAT</sub> |                | 100 | —   | 3450 | ns   |
| Repeated START condition set-up time             | t <sub>SU_STA</sub> |                | 4.7 | —   | —    | μs   |
| (Repeated) START condition hold time             | t <sub>HD_STA</sub> |                | 4   | —   | —    | μs   |
| STOP condition set-up time                       | t <sub>SU_STO</sub> |                | 4   | —   | —    | μs   |
| Bus free time between a STOP and START condition | t <sub>BUF</sub>    |                | 4.7 | —   | —    | μs   |

**Note:**

1. For CLHR set to 0 in the I2Cn\_CTRL register.
2. For the minimum HPPERCLK frequency required in Standard-mode, refer to the I2C chapter in the reference manual.
3. The maximum SDA hold time (t<sub>HD\_DAT</sub>) needs to be met only when the device does not stretch the low time of SCL (t<sub>LOW</sub>).

4.1.21.2 I2C Fast-mode (Fm)<sup>1</sup>Table 4.29. I2C Fast-mode (Fm)<sup>1</sup>

| Parameter                                        | Symbol        | Test Condition | Min | Typ | Max | Unit    |
|--------------------------------------------------|---------------|----------------|-----|-----|-----|---------|
| SCL clock frequency <sup>2</sup>                 | $f_{SCL}$     |                | 0   | —   | 400 | kHz     |
| SCL clock low time                               | $t_{LOW}$     |                | 1.3 | —   | —   | $\mu$ s |
| SCL clock high time                              | $t_{HIGH}$    |                | 0.6 | —   | —   | $\mu$ s |
| SDA set-up time                                  | $t_{SU\_DAT}$ |                | 100 | —   | —   | ns      |
| SDA hold time <sup>3</sup>                       | $t_{HD\_DAT}$ |                | 100 | —   | 900 | ns      |
| Repeated START condition set-up time             | $t_{SU\_STA}$ |                | 0.6 | —   | —   | $\mu$ s |
| (Repeated) START condition hold time             | $t_{HD\_STA}$ |                | 0.6 | —   | —   | $\mu$ s |
| STOP condition set-up time                       | $t_{SU\_STO}$ |                | 0.6 | —   | —   | $\mu$ s |
| Bus free time between a STOP and START condition | $t_{BUF}$     |                | 1.3 | —   | —   | $\mu$ s |

**Note:**

1. For CLHR set to 1 in the I2Cn\_CTRL register.
2. For the minimum HPPERCLK frequency required in Fast-mode, refer to the I2C chapter in the reference manual.
3. The maximum SDA hold time ( $t_{HD,DAT}$ ) needs to be met only when the device does not stretch the low time of SCL ( $t_{LOW}$ ).

4.1.21.3 I2C Fast-mode Plus (Fm+)<sup>1</sup>

Table 4.30. I2C Fast-mode Plus (Fm+)<sup>1</sup>

| Parameter                                        | Symbol              | Test Condition | Min  | Typ | Max  | Unit |
|--------------------------------------------------|---------------------|----------------|------|-----|------|------|
| SCL clock frequency <sup>2</sup>                 | f <sub>SCL</sub>    |                | 0    | —   | 1000 | kHz  |
| SCL clock low time                               | t <sub>LOW</sub>    |                | 0.5  | —   | —    | μs   |
| SCL clock high time                              | t <sub>HIGH</sub>   |                | 0.26 | —   | —    | μs   |
| SDA set-up time                                  | t <sub>SU_DAT</sub> |                | 50   | —   | —    | ns   |
| SDA hold time                                    | t <sub>HD_DAT</sub> |                | 100  | —   | —    | ns   |
| Repeated START condition set-up time             | t <sub>SU_STA</sub> |                | 0.26 | —   | —    | μs   |
| (Repeated) START condition hold time             | t <sub>HD_STA</sub> |                | 0.26 | —   | —    | μs   |
| STOP condition set-up time                       | t <sub>SU_STO</sub> |                | 0.26 | —   | —    | μs   |
| Bus free time between a STOP and START condition | t <sub>BUF</sub>    |                | 0.5  | —   | —    | μs   |

**Note:**

1. For CLHR set to 0 or 1 in the I2Cn\_CTRL register.
2. For the minimum HPPERCLK frequency required in Fast-mode Plus, refer to the I2C chapter in the reference manual.

### 4.1.22 USART SPI

#### SPI Master Timing

Table 4.31. SPI Master Timing

| Parameter                      | Symbol         | Test Condition | Min                       | Typ | Max  | Unit |
|--------------------------------|----------------|----------------|---------------------------|-----|------|------|
| SCLK period <sup>1 2 3</sup>   | $t_{SCLK}$     |                | $2 * t_{H\text{FPERCLK}}$ | —   | —    | ns   |
| CS to MOSI <sup>1 2</sup>      | $t_{CS\_MO}$   |                | -19.8                     | —   | 18.9 | ns   |
| SCLK to MOSI <sup>1 2</sup>    | $t_{SCLK\_MO}$ |                | -10                       | —   | 14.5 | ns   |
| MISO setup time <sup>1 2</sup> | $t_{SU\_MI}$   | IOVDD = 1.62 V | 75                        | —   | —    | ns   |
|                                |                | IOVDD = 3.0 V  | 40                        | —   | —    | ns   |
| MISO hold time <sup>1 2</sup>  | $t_{H\_MI}$    |                | -10                       | —   | —    | ns   |

**Note:**

1. Applies for both CLKPHA = 0 and CLKPHA = 1 (figure only shows CLKPHA = 0).
2. Measurement done with 8 pF output loading at 10% and 90% of  $V_{DD}$  (figure shows 50% of  $V_{DD}$ ).
3.  $t_{H\text{FPERCLK}}$  is one period of the selected H $\text{FPERCLK}$ .

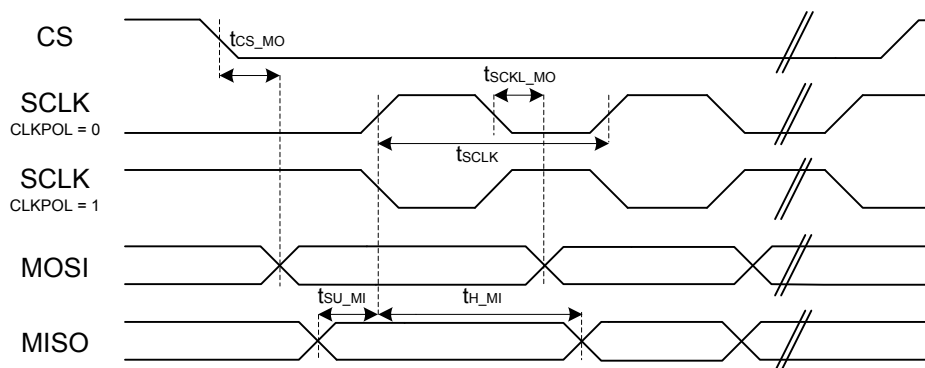


Figure 4.1. SPI Master Timing Diagram

## SPI Slave Timing

Table 4.32. SPI Slave Timing

| Parameter                         | Symbol            | Test Condition | Min                          | Typ | Max                          | Unit |
|-----------------------------------|-------------------|----------------|------------------------------|-----|------------------------------|------|
| SCLK period <sup>1 2 3</sup>      | $t_{SCLK}$        |                | 6 *<br>$t_{HFPERCLK}$        | —   | —                            | ns   |
| SCLK high time <sup>1 2 3</sup>   | $t_{SCLK\_HI}$    |                | 2.5 *<br>$t_{HFPERCLK}$      | —   | —                            | ns   |
| SCLK low time <sup>1 2 3</sup>    | $t_{SCLK\_LO}$    |                | 2.5 *<br>$t_{HFPERCLK}$      | —   | —                            | ns   |
| CS active to MISO <sup>1 2</sup>  | $t_{CS\_ACT\_MI}$ |                | 20                           | —   | 70                           | ns   |
| CS disable to MISO <sup>1 2</sup> | $t_{CS\_DIS\_MI}$ |                | 15                           | —   | 150                          | ns   |
| MOSI setup time <sup>1 2</sup>    | $t_{SU\_MO}$      |                | 4                            | —   | —                            | ns   |
| MOSI hold time <sup>1 2 3</sup>   | $t_{H\_MO}$       |                | 7                            | —   | —                            | ns   |
| SCLK to MISO <sup>1 2 3</sup>     | $t_{SCLK\_MI}$    |                | 14 + 1.5 *<br>$t_{HFPERCLK}$ | —   | 40 + 2.5 *<br>$t_{HFPERCLK}$ | ns   |

**Note:**

1. Applies for both CLKPHA = 0 and CLKPHA = 1 (figure only shows CLKPHA = 0).
2. Measurement done with 8 pF output loading at 10% and 90% of  $V_{DD}$  (figure shows 50% of  $V_{DD}$ ).
3.  $t_{HFPERCLK}$  is one period of the selected HFPERCLK.

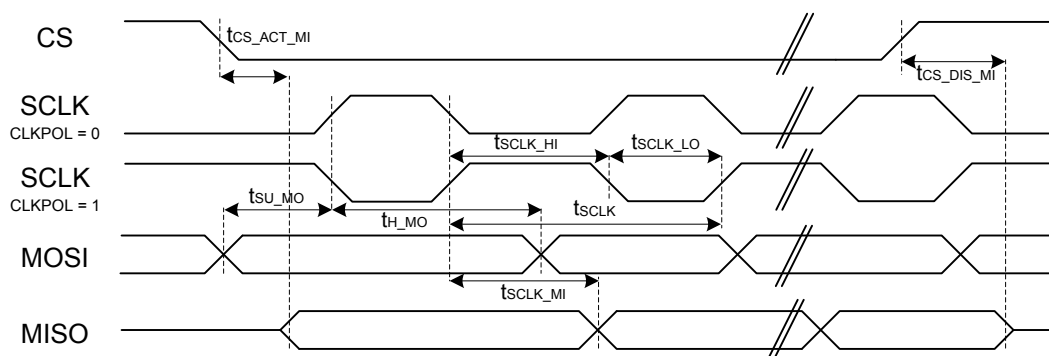


Figure 4.2. SPI Slave Timing Diagram

## 4.2 Typical Performance Curves

Typical performance curves indicate typical characterized performance under the stated conditions.



### 4.2.1 Supply Current

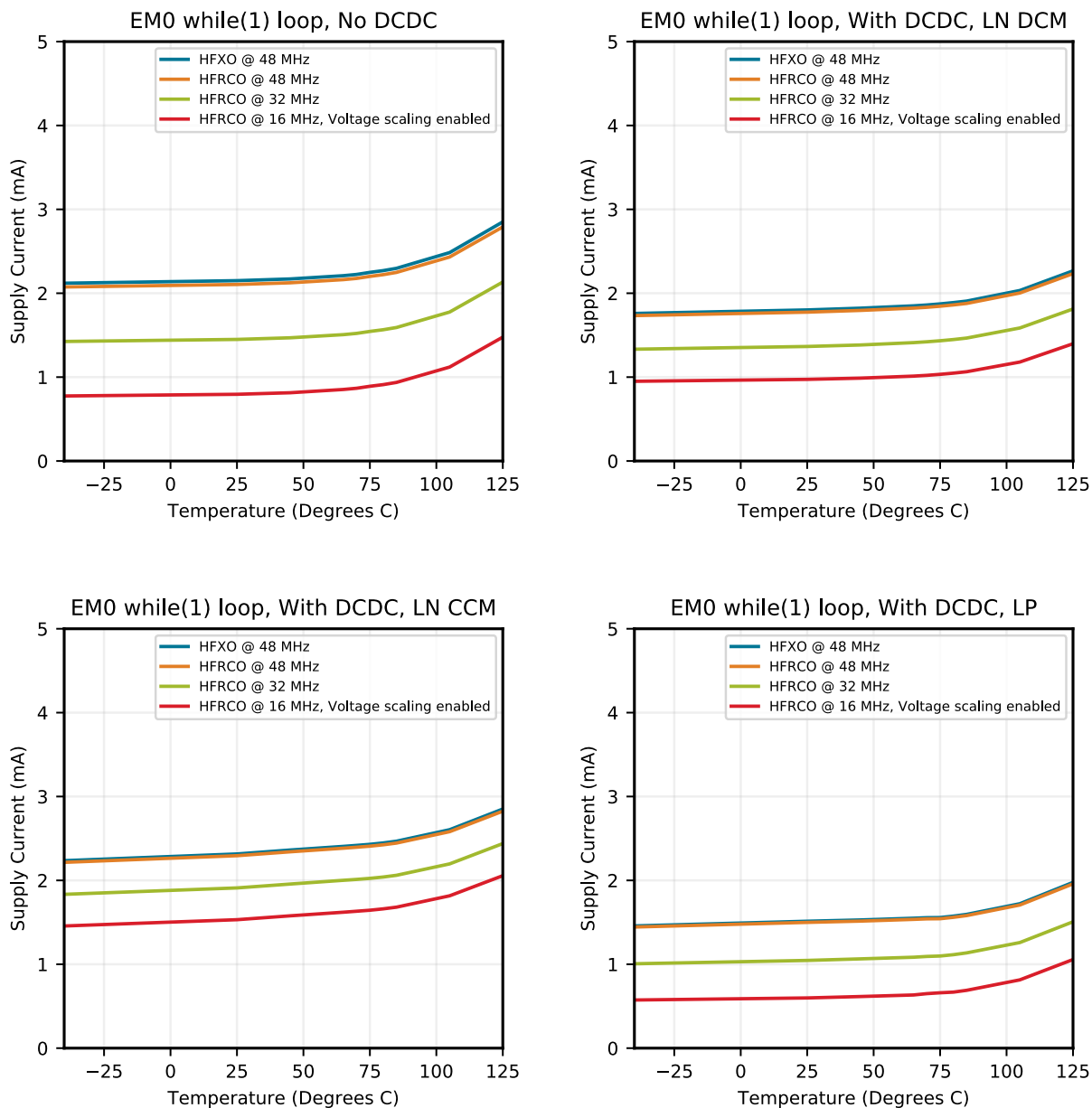
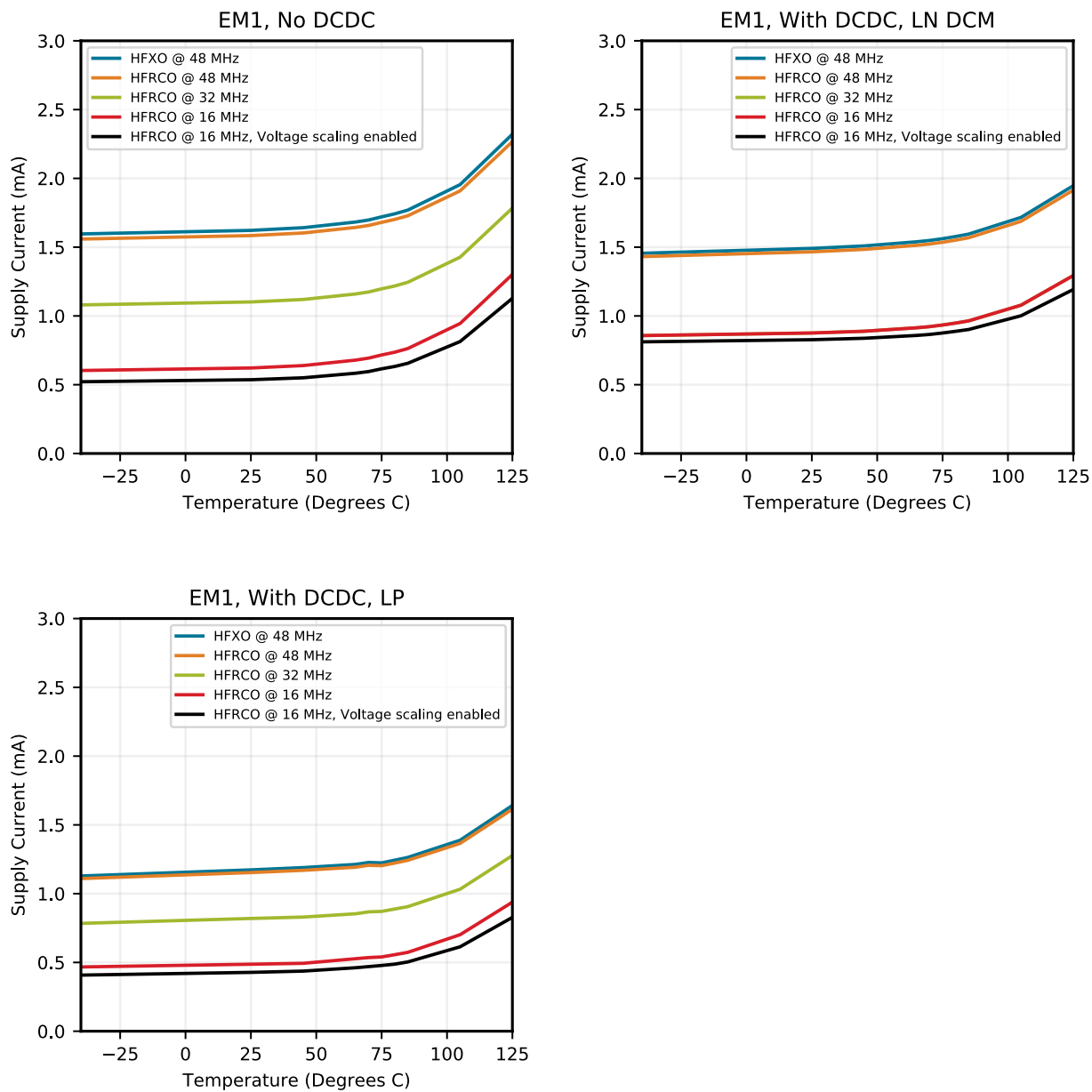


Figure 4.3. EM0 Active Mode Typical Supply Current vs. Temperature



**Figure 4.4. EM1 Sleep Mode Typical Supply Current vs. Temperature**

Typical supply current for EM2, EM3 and EM4H using standard software libraries from Silicon Laboratories.

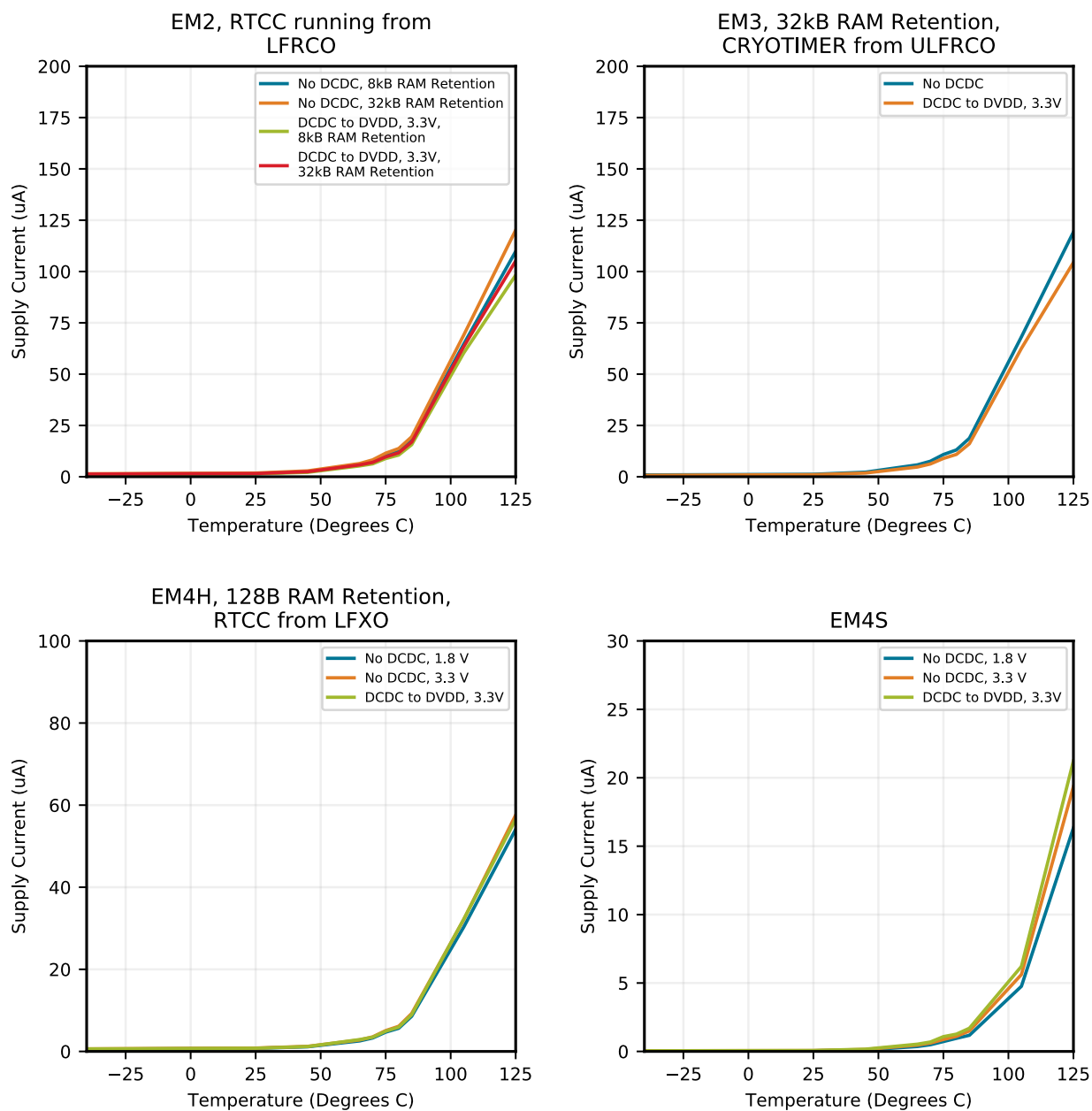


Figure 4.5. EM2, EM3, EM4H and EM4S Typical Supply Current vs. Temperature

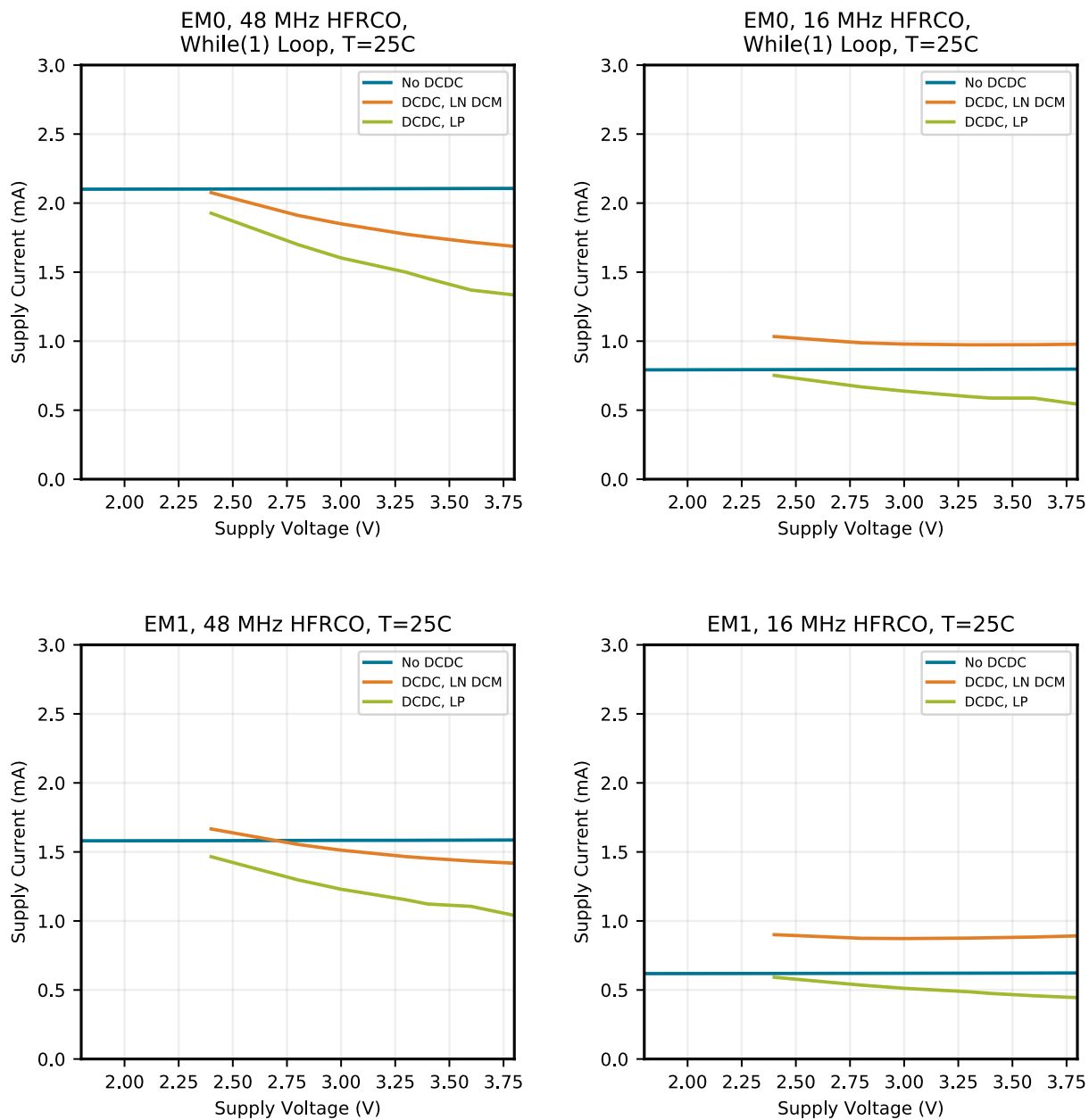


Figure 4.6. EM0 and EM1 Mode Typical Supply Current vs. Supply

Typical supply current for EM2, EM3 and EM4H using standard software libraries from Silicon Laboratories.

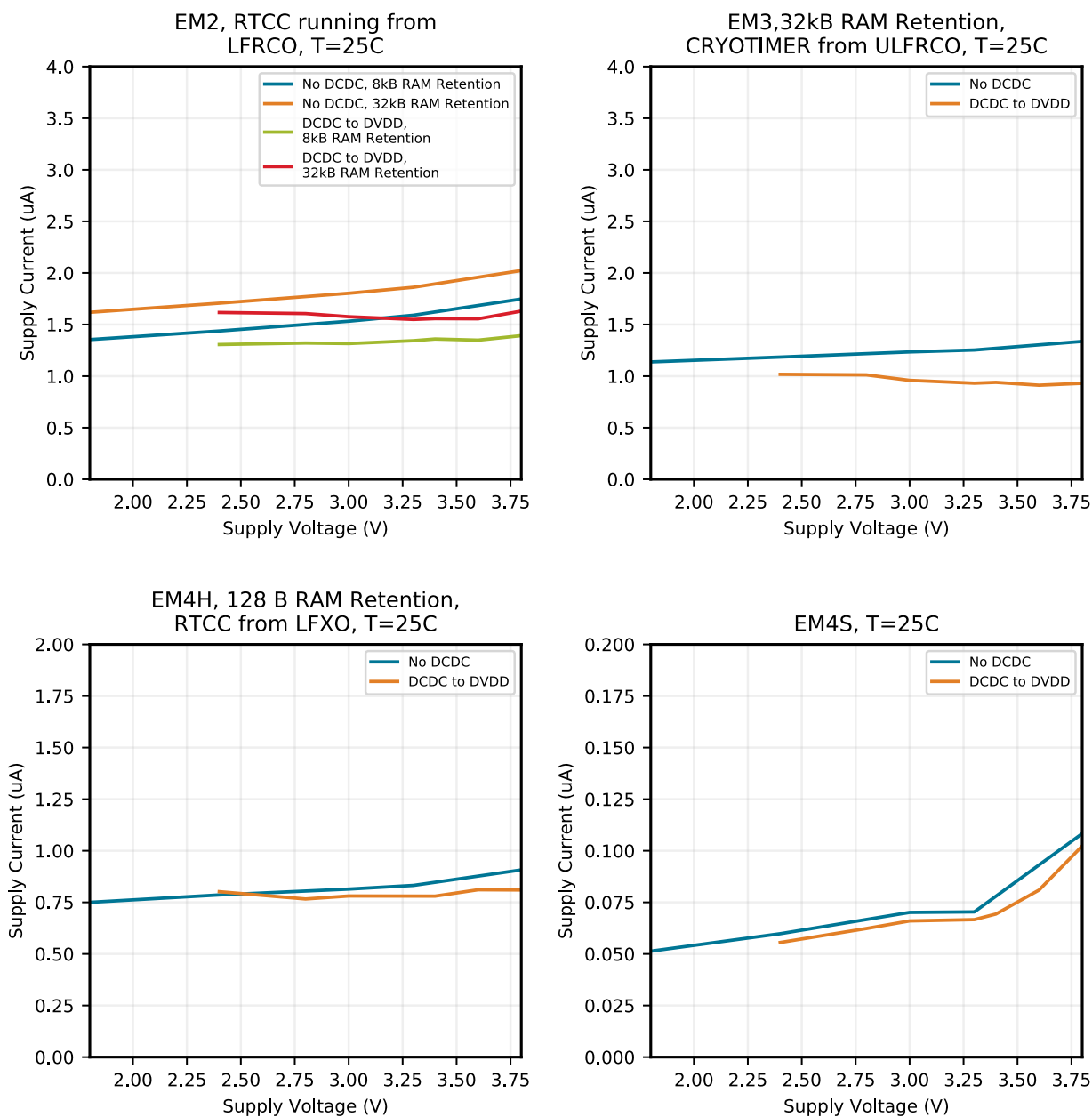


Figure 4.7. EM2, EM3, EM4H and EM4S Typical Supply Current vs. Supply

### 4.2.2 DC-DC Converter

Default test conditions: CCM mode, LDCDC = 4.7  $\mu$ H, CDCDC = 4.7  $\mu$ F, VDCDC\_I = 3.3 V, VDCDC\_O = 1.8 V, FDCDC\_LN = 7 MHz

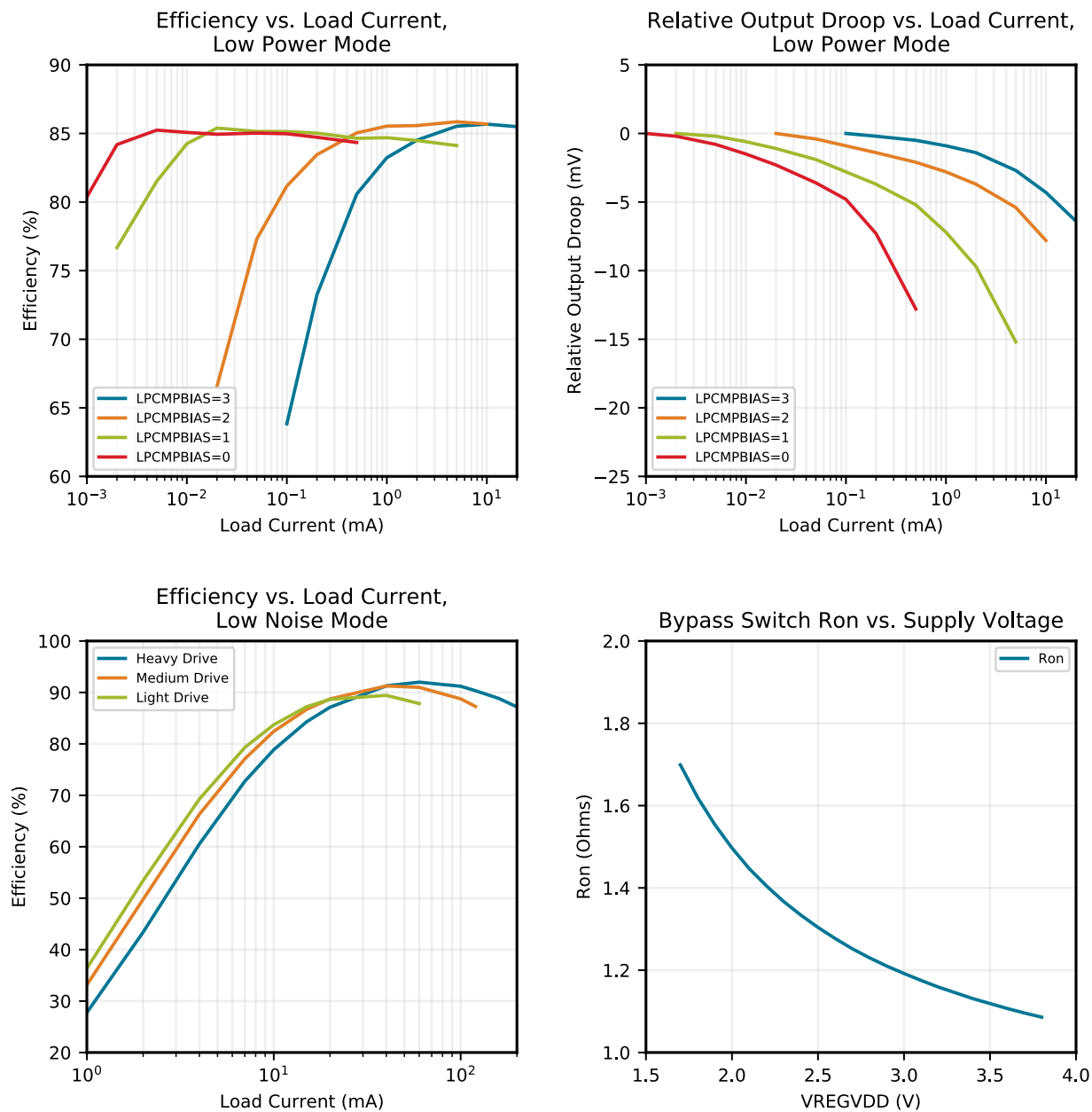


Figure 4.8. DC-DC Converter Typical Performance Characteristics



Figure 4.9. DC-DC Converter Transition Waveforms

## 5. Pin Definitions

### 5.1 EFM32TG11B5xx in QFP80 Device Pinout



Figure 5.1. EFM32TG11B5xx in QFP80 Device Pinout

The following table provides package pin connections and general descriptions of pin functionality. For detailed information on the supported features for each GPIO pin, see [5.14 GPIO Functionality Table](#) or [5.15 Alternate Functionality Overview](#).

Table 5.1. EFM32TG11B5xx in QFP80 Device Pinout

| Pin Name | Pin(s) | Description | Pin Name | Pin(s)              | Description                |
|----------|--------|-------------|----------|---------------------|----------------------------|
| PA0      | 1      | GPIO        | PA1      | 2                   | GPIO                       |
| PA2      | 3      | GPIO        | PA3      | 4                   | GPIO                       |
| PA4      | 5      | GPIO        | PA5      | 6                   | GPIO                       |
| PA6      | 7      | GPIO        | IOVDD0   | 8<br>33<br>50<br>69 | Digital IO power supply 0. |



| Pin Name | Pin(s)              | Description                   | Pin Name | Pin(s) | Description                                                                                                                                                                                 |
|----------|---------------------|-------------------------------|----------|--------|---------------------------------------------------------------------------------------------------------------------------------------------------------------------------------------------|
| VSS      | 9<br>24<br>51<br>70 | Ground                        | PB3      | 10     | GPIO                                                                                                                                                                                        |
| PB4      | 11                  | GPIO                          | PB5      | 12     | GPIO                                                                                                                                                                                        |
| PB6      | 13                  | GPIO                          | PC1      | 14     | GPIO (5V)                                                                                                                                                                                   |
| PC2      | 15                  | GPIO (5V)                     | PC3      | 16     | GPIO (5V)                                                                                                                                                                                   |
| PC4      | 17                  | GPIO                          | PC5      | 18     | GPIO                                                                                                                                                                                        |
| PB7      | 19                  | GPIO                          | PB8      | 20     | GPIO                                                                                                                                                                                        |
| PA8      | 21                  | GPIO                          | PA9      | 22     | GPIO                                                                                                                                                                                        |
| PA10     | 23                  | GPIO                          | PA12     | 25     | GPIO                                                                                                                                                                                        |
| PA14     | 26                  | GPIO                          | RESETn   | 27     | Reset input, active low. To apply an external reset source to this pin, it is required to only drive this pin low during reset, and let the internal pull-up ensure that reset is released. |
| PB11     | 28                  | GPIO                          | PB12     | 29     | GPIO                                                                                                                                                                                        |
| AVDD     | 30<br>34            | Analog power supply.          | PB13     | 31     | GPIO                                                                                                                                                                                        |
| PB14     | 32                  | GPIO                          | PD0      | 35     | GPIO (5V)                                                                                                                                                                                   |
| PD1      | 36                  | GPIO                          | PD3      | 37     | GPIO                                                                                                                                                                                        |
| PD4      | 38                  | GPIO                          | PD5      | 39     | GPIO                                                                                                                                                                                        |
| PD6      | 40                  | GPIO                          | PD7      | 41     | GPIO                                                                                                                                                                                        |
| PD8      | 42                  | GPIO                          | PC6      | 43     | GPIO                                                                                                                                                                                        |
| PC7      | 44                  | GPIO                          | VREGVSS  | 45     | Voltage regulator VSS                                                                                                                                                                       |
| VREGSW   | 46                  | DCDC regulator switching node | VREGVDD  | 47     | Voltage regulator VDD input                                                                                                                                                                 |
| DVDD     | 48                  | Digital power supply.         | DECOUPLE | 49     | Decouple output for on-chip voltage regulator. An external decoupling capacitor is required at this pin.                                                                                    |
| PE4      | 52                  | GPIO                          | PE5      | 53     | GPIO                                                                                                                                                                                        |
| PE6      | 54                  | GPIO                          | PE7      | 55     | GPIO                                                                                                                                                                                        |
| PC8      | 56                  | GPIO                          | PC9      | 57     | GPIO                                                                                                                                                                                        |
| PC10     | 58                  | GPIO (5V)                     | PC11     | 59     | GPIO (5V)                                                                                                                                                                                   |
| PC13     | 60                  | GPIO (5V)                     | PC14     | 61     | GPIO (5V)                                                                                                                                                                                   |
| PC15     | 62                  | GPIO (5V)                     | PF0      | 63     | GPIO (5V)                                                                                                                                                                                   |
| PF1      | 64                  | GPIO (5V)                     | PF2      | 65     | GPIO                                                                                                                                                                                        |
| PF3      | 66                  | GPIO                          | PF4      | 67     | GPIO                                                                                                                                                                                        |
| PF5      | 68                  | GPIO                          | PE8      | 71     | GPIO                                                                                                                                                                                        |
| PE9      | 72                  | GPIO                          | PE10     | 73     | GPIO                                                                                                                                                                                        |
| PE11     | 74                  | GPIO                          | BODEN    | 75     | Brown-Out Detector Enable. This pin may be left disconnected or tied to AVDD.                                                                                                               |

| Pin Name | Pin(s) | Description | Pin Name | Pin(s) | Description |
|----------|--------|-------------|----------|--------|-------------|
| PE12     | 76     | GPIO        | PE13     | 77     | GPIO        |
| PE14     | 78     | GPIO        | PE15     | 79     | GPIO        |
| PA15     | 80     | GPIO        |          |        |             |

**Note:**

1. GPIO with 5V tolerance are indicated by (5V).

## 5.2 EFM32TG11B5xx in QFN80 Device Pinout



Figure 5.2. EFM32TG11B5xx in QFN80 Device Pinout

The following table provides package pin connections and general descriptions of pin functionality. For detailed information on the supported features for each GPIO pin, see [5.14 GPIO Functionality Table](#) or [5.15 Alternate Functionality Overview](#).

Table 5.2. EFM32TG11B5xx in QFN80 Device Pinout

| Pin Name | Pin(s)              | Description                | Pin Name | Pin(s) | Description |
|----------|---------------------|----------------------------|----------|--------|-------------|
| VSS      | 0                   | Ground                     | PA0      | 1      | GPIO        |
| PA1      | 2                   | GPIO                       | PA2      | 3      | GPIO        |
| PA3      | 4                   | GPIO                       | PA4      | 5      | GPIO        |
| PA5      | 6                   | GPIO                       | PA6      | 7      | GPIO        |
| IOVDD0   | 8<br>33<br>51<br>70 | Digital IO power supply 0. | PB3      | 9      | GPIO        |

| Pin Name | Pin(s)   | Description                                                                                              | Pin Name | Pin(s) | Description                                                                                                                                                                                 |
|----------|----------|----------------------------------------------------------------------------------------------------------|----------|--------|---------------------------------------------------------------------------------------------------------------------------------------------------------------------------------------------|
| PB4      | 10       | GPIO                                                                                                     | PB5      | 11     | GPIO                                                                                                                                                                                        |
| PB6      | 12       | GPIO                                                                                                     | PC0      | 13     | GPIO (5V)                                                                                                                                                                                   |
| PC1      | 14       | GPIO (5V)                                                                                                | PC2      | 15     | GPIO (5V)                                                                                                                                                                                   |
| PC3      | 16       | GPIO (5V)                                                                                                | PC4      | 17     | GPIO                                                                                                                                                                                        |
| PC5      | 18       | GPIO                                                                                                     | PB7      | 19     | GPIO                                                                                                                                                                                        |
| PB8      | 20       | GPIO                                                                                                     | PA8      | 21     | GPIO                                                                                                                                                                                        |
| PA9      | 22       | GPIO                                                                                                     | PA10     | 23     | GPIO                                                                                                                                                                                        |
| PA12     | 24       | GPIO                                                                                                     | PA13     | 25     | GPIO (5V)                                                                                                                                                                                   |
| PA14     | 26       | GPIO                                                                                                     | RESETn   | 27     | Reset input, active low. To apply an external reset source to this pin, it is required to only drive this pin low during reset, and let the internal pull-up ensure that reset is released. |
| PB11     | 28       | GPIO                                                                                                     | PB12     | 29     | GPIO                                                                                                                                                                                        |
| AVDD     | 30<br>34 | Analog power supply.                                                                                     | PB13     | 31     | GPIO                                                                                                                                                                                        |
| PB14     | 32       | GPIO                                                                                                     | PD0      | 35     | GPIO (5V)                                                                                                                                                                                   |
| PD1      | 36       | GPIO                                                                                                     | PD2      | 37     | GPIO (5V)                                                                                                                                                                                   |
| PD3      | 38       | GPIO                                                                                                     | PD4      | 39     | GPIO                                                                                                                                                                                        |
| PD5      | 40       | GPIO                                                                                                     | PD6      | 41     | GPIO                                                                                                                                                                                        |
| PD7      | 42       | GPIO                                                                                                     | PD8      | 43     | GPIO                                                                                                                                                                                        |
| PC6      | 44       | GPIO                                                                                                     | PC7      | 45     | GPIO                                                                                                                                                                                        |
| VREGVSS  | 46       | Voltage regulator VSS                                                                                    | VREGSW   | 47     | DCDC regulator switching node                                                                                                                                                               |
| VREGVDD  | 48       | Voltage regulator VDD input                                                                              | DVDD     | 49     | Digital power supply.                                                                                                                                                                       |
| DECOUPLE | 50       | Decouple output for on-chip voltage regulator. An external decoupling capacitor is required at this pin. | PE4      | 52     | GPIO                                                                                                                                                                                        |
| PE5      | 53       | GPIO                                                                                                     | PE6      | 54     | GPIO                                                                                                                                                                                        |
| PE7      | 55       | GPIO                                                                                                     | PC8      | 56     | GPIO                                                                                                                                                                                        |
| PC9      | 57       | GPIO                                                                                                     | PC10     | 58     | GPIO (5V)                                                                                                                                                                                   |
| PC11     | 59       | GPIO (5V)                                                                                                | PC12     | 60     | GPIO (5V)                                                                                                                                                                                   |
| PC13     | 61       | GPIO (5V)                                                                                                | PC14     | 62     | GPIO (5V)                                                                                                                                                                                   |
| PC15     | 63       | GPIO (5V)                                                                                                | PF0      | 64     | GPIO (5V)                                                                                                                                                                                   |
| PF1      | 65       | GPIO (5V)                                                                                                | PF2      | 66     | GPIO                                                                                                                                                                                        |
| PF3      | 67       | GPIO                                                                                                     | PF4      | 68     | GPIO                                                                                                                                                                                        |
| PF5      | 69       | GPIO                                                                                                     | PE8      | 71     | GPIO                                                                                                                                                                                        |
| PE9      | 72       | GPIO                                                                                                     | PE10     | 73     | GPIO                                                                                                                                                                                        |
| PE11     | 74       | GPIO                                                                                                     | BODEN    | 75     | Brown-Out Detector Enable. This pin may be left disconnected or tied to AVDD.                                                                                                               |
| PE12     | 76       | GPIO                                                                                                     | PE13     | 77     | GPIO                                                                                                                                                                                        |

| Pin Name | Pin(s) | Description | Pin Name | Pin(s) | Description |
|----------|--------|-------------|----------|--------|-------------|
| PE14     | 78     | GPIO        | PE15     | 79     | GPIO        |
| PA15     | 80     | GPIO        |          |        |             |

**Note:**

1. GPIO with 5V tolerance are indicated by (5V).

### 5.3 EFM32TG11B5xx in QFP64 Device Pinout



Figure 5.3. EFM32TG11B5xx in QFP64 Device Pinout

The following table provides package pin connections and general descriptions of pin functionality. For detailed information on the supported features for each GPIO pin, see [5.14 GPIO Functionality Table](#) or [5.15 Alternate Functionality Overview](#).

Table 5.3. EFM32TG11B5xx in QFP64 Device Pinout

| Pin Name | Pin(s)        | Description                | Pin Name | Pin(s)        | Description |
|----------|---------------|----------------------------|----------|---------------|-------------|
| PA0      | 1             | GPIO                       | PA1      | 2             | GPIO        |
| PA2      | 3             | GPIO                       | PA3      | 4             | GPIO        |
| PA4      | 5             | GPIO                       | PA5      | 6             | GPIO        |
| IOVDD0   | 7<br>27<br>55 | Digital IO power supply 0. | VSS      | 8<br>23<br>56 | Ground      |
| PB3      | 9             | GPIO                       | PB4      | 10            | GPIO        |
| PB5      | 11            | GPIO                       | PB6      | 12            | GPIO        |

| Pin Name | Pin(s)   | Description                                                                                              | Pin Name | Pin(s) | Description                                                                                                                                                                                 |
|----------|----------|----------------------------------------------------------------------------------------------------------|----------|--------|---------------------------------------------------------------------------------------------------------------------------------------------------------------------------------------------|
| PC4      | 13       | GPIO                                                                                                     | PC5      | 14     | GPIO                                                                                                                                                                                        |
| PB7      | 15       | GPIO                                                                                                     | PB8      | 16     | GPIO                                                                                                                                                                                        |
| PA8      | 17       | GPIO                                                                                                     | PA12     | 18     | GPIO                                                                                                                                                                                        |
| PA14     | 19       | GPIO                                                                                                     | RESETn   | 20     | Reset input, active low. To apply an external reset source to this pin, it is required to only drive this pin low during reset, and let the internal pull-up ensure that reset is released. |
| PB11     | 21       | GPIO                                                                                                     | PB12     | 22     | GPIO                                                                                                                                                                                        |
| AVDD     | 24<br>28 | Analog power supply.                                                                                     | PB13     | 25     | GPIO                                                                                                                                                                                        |
| PB14     | 26       | GPIO                                                                                                     | PD0      | 29     | GPIO (5V)                                                                                                                                                                                   |
| PD1      | 30       | GPIO                                                                                                     | PD3      | 31     | GPIO                                                                                                                                                                                        |
| PD4      | 32       | GPIO                                                                                                     | PD5      | 33     | GPIO                                                                                                                                                                                        |
| PD6      | 34       | GPIO                                                                                                     | PD7      | 35     | GPIO                                                                                                                                                                                        |
| PD8      | 36       | GPIO                                                                                                     | PC7      | 37     | GPIO                                                                                                                                                                                        |
| VREGVSS  | 38       | Voltage regulator VSS                                                                                    | VREGSW   | 39     | DCDC regulator switching node                                                                                                                                                               |
| VREGVDD  | 40       | Voltage regulator VDD input                                                                              | DVDD     | 41     | Digital power supply.                                                                                                                                                                       |
| DECOUPLE | 42       | Decouple output for on-chip voltage regulator. An external decoupling capacitor is required at this pin. | PE4      | 43     | GPIO                                                                                                                                                                                        |
| PE5      | 44       | GPIO                                                                                                     | PE6      | 45     | GPIO                                                                                                                                                                                        |
| PE7      | 46       | GPIO                                                                                                     | PC12     | 47     | GPIO (5V)                                                                                                                                                                                   |
| PC13     | 48       | GPIO (5V)                                                                                                | PF0      | 49     | GPIO (5V)                                                                                                                                                                                   |
| PF1      | 50       | GPIO (5V)                                                                                                | PF2      | 51     | GPIO                                                                                                                                                                                        |
| PF3      | 52       | GPIO                                                                                                     | PF4      | 53     | GPIO                                                                                                                                                                                        |
| PF5      | 54       | GPIO                                                                                                     | PE8      | 57     | GPIO                                                                                                                                                                                        |
| PE9      | 58       | GPIO                                                                                                     | PE10     | 59     | GPIO                                                                                                                                                                                        |
| PE11     | 60       | GPIO                                                                                                     | PE12     | 61     | GPIO                                                                                                                                                                                        |
| PE13     | 62       | GPIO                                                                                                     | PE14     | 63     | GPIO                                                                                                                                                                                        |
| PE15     | 64       | GPIO                                                                                                     |          |        |                                                                                                                                                                                             |

**Note:**

1. GPIO with 5V tolerance are indicated by (5V).

### 5.4 EFM32TG11B3xx in QFP64 Device Pinout



Figure 5.4. EFM32TG11B3xx in QFP64 Device Pinout

The following table provides package pin connections and general descriptions of pin functionality. For detailed information on the supported features for each GPIO pin, see [5.14 GPIO Functionality Table](#) or [5.15 Alternate Functionality Overview](#).

Table 5.4. EFM32TG11B3xx in QFP64 Device Pinout

| Pin Name | Pin(s)        | Description                | Pin Name | Pin(s)        | Description |
|----------|---------------|----------------------------|----------|---------------|-------------|
| PA0      | 1             | GPIO                       | PA1      | 2             | GPIO        |
| PA2      | 3             | GPIO                       | PA3      | 4             | GPIO        |
| PA4      | 5             | GPIO                       | PA5      | 6             | GPIO        |
| IOVDD0   | 7<br>26<br>55 | Digital IO power supply 0. | VSS      | 8<br>22<br>56 | Ground      |
| PB3      | 9             | GPIO                       | PB4      | 10            | GPIO        |
| PB5      | 11            | GPIO                       | PB6      | 12            | GPIO        |



| Pin Name | Pin(s) | Description                                                                                              | Pin Name | Pin(s)   | Description                                                                                                                                                                                 |
|----------|--------|----------------------------------------------------------------------------------------------------------|----------|----------|---------------------------------------------------------------------------------------------------------------------------------------------------------------------------------------------|
| PC4      | 13     | GPIO                                                                                                     | PC5      | 14       | GPIO                                                                                                                                                                                        |
| PB7      | 15     | GPIO                                                                                                     | PB8      | 16       | GPIO                                                                                                                                                                                        |
| PA12     | 17     | GPIO                                                                                                     | PA13     | 18       | GPIO (5V)                                                                                                                                                                                   |
| PA14     | 19     | GPIO                                                                                                     | RESETn   | 20       | Reset input, active low. To apply an external reset source to this pin, it is required to only drive this pin low during reset, and let the internal pull-up ensure that reset is released. |
| PB11     | 21     | GPIO                                                                                                     | AVDD     | 23<br>27 | Analog power supply.                                                                                                                                                                        |
| PB13     | 24     | GPIO                                                                                                     | PB14     | 25       | GPIO                                                                                                                                                                                        |
| PD0      | 28     | GPIO (5V)                                                                                                | PD1      | 29       | GPIO                                                                                                                                                                                        |
| PD2      | 30     | GPIO (5V)                                                                                                | PD3      | 31       | GPIO                                                                                                                                                                                        |
| PD4      | 32     | GPIO                                                                                                     | PD5      | 33       | GPIO                                                                                                                                                                                        |
| PD6      | 34     | GPIO                                                                                                     | PD7      | 35       | GPIO                                                                                                                                                                                        |
| PD8      | 36     | GPIO                                                                                                     | PC6      | 37       | GPIO                                                                                                                                                                                        |
| PC7      | 38     | GPIO                                                                                                     | DVDD     | 39       | Digital power supply.                                                                                                                                                                       |
| DECOUPLE | 40     | Decouple output for on-chip voltage regulator. An external decoupling capacitor is required at this pin. | PE4      | 41       | GPIO                                                                                                                                                                                        |
| PE5      | 42     | GPIO                                                                                                     | PE6      | 43       | GPIO                                                                                                                                                                                        |
| PE7      | 44     | GPIO                                                                                                     | PC12     | 45       | GPIO (5V)                                                                                                                                                                                   |
| PC13     | 46     | GPIO (5V)                                                                                                | PC14     | 47       | GPIO (5V)                                                                                                                                                                                   |
| PC15     | 48     | GPIO (5V)                                                                                                | PF0      | 49       | GPIO (5V)                                                                                                                                                                                   |
| PF1      | 50     | GPIO (5V)                                                                                                | PF2      | 51       | GPIO                                                                                                                                                                                        |
| PF3      | 52     | GPIO                                                                                                     | PF4      | 53       | GPIO                                                                                                                                                                                        |
| PF5      | 54     | GPIO                                                                                                     | PE8      | 57       | GPIO                                                                                                                                                                                        |
| PE9      | 58     | GPIO                                                                                                     | PE10     | 59       | GPIO                                                                                                                                                                                        |
| PE11     | 60     | GPIO                                                                                                     | PE12     | 61       | GPIO                                                                                                                                                                                        |
| PE13     | 62     | GPIO                                                                                                     | PE14     | 63       | GPIO                                                                                                                                                                                        |
| PE15     | 64     | GPIO                                                                                                     |          |          |                                                                                                                                                                                             |

**Note:**

1. GPIO with 5V tolerance are indicated by (5V).

### 5.5 EFM32TG11B1xx in QFP64 Device Pinout



Figure 5.5. EFM32TG11B1xx in QFP64 Device Pinout

The following table provides package pin connections and general descriptions of pin functionality. For detailed information on the supported features for each GPIO pin, see [5.14 GPIO Functionality Table](#) or [5.15 Alternate Functionality Overview](#).

Table 5.5. EFM32TG11B1xx in QFP64 Device Pinout

| Pin Name | Pin(s)        | Description                | Pin Name | Pin(s)        | Description |
|----------|---------------|----------------------------|----------|---------------|-------------|
| PA0      | 1             | GPIO                       | PA1      | 2             | GPIO        |
| PA2      | 3             | GPIO                       | PA3      | 4             | GPIO        |
| PA4      | 5             | GPIO                       | PA5      | 6             | GPIO        |
| IOVDD0   | 7<br>26<br>55 | Digital IO power supply 0. | VSS      | 8<br>22<br>56 | Ground      |
| PC0      | 9             | GPIO (5V)                  | PC1      | 10            | GPIO (5V)   |
| PC2      | 11            | GPIO (5V)                  | PC3      | 12            | GPIO (5V)   |

| Pin Name | Pin(s) | Description                                                                                              | Pin Name | Pin(s)   | Description                                                                                                                                                                                 |
|----------|--------|----------------------------------------------------------------------------------------------------------|----------|----------|---------------------------------------------------------------------------------------------------------------------------------------------------------------------------------------------|
| PC4      | 13     | GPIO                                                                                                     | PC5      | 14       | GPIO                                                                                                                                                                                        |
| PB7      | 15     | GPIO                                                                                                     | PB8      | 16       | GPIO                                                                                                                                                                                        |
| PA8      | 17     | GPIO                                                                                                     | PA9      | 18       | GPIO                                                                                                                                                                                        |
| PA10     | 19     | GPIO                                                                                                     | RESETn   | 20       | Reset input, active low. To apply an external reset source to this pin, it is required to only drive this pin low during reset, and let the internal pull-up ensure that reset is released. |
| PB11     | 21     | GPIO                                                                                                     | AVDD     | 23<br>27 | Analog power supply.                                                                                                                                                                        |
| PB13     | 24     | GPIO                                                                                                     | PB14     | 25       | GPIO                                                                                                                                                                                        |
| PD0      | 28     | GPIO (5V)                                                                                                | PD1      | 29       | GPIO                                                                                                                                                                                        |
| PD2      | 30     | GPIO (5V)                                                                                                | PD3      | 31       | GPIO                                                                                                                                                                                        |
| PD4      | 32     | GPIO                                                                                                     | PD5      | 33       | GPIO                                                                                                                                                                                        |
| PD6      | 34     | GPIO                                                                                                     | PD7      | 35       | GPIO                                                                                                                                                                                        |
| PD8      | 36     | GPIO                                                                                                     | PC6      | 37       | GPIO                                                                                                                                                                                        |
| PC7      | 38     | GPIO                                                                                                     | DVDD     | 39       | Digital power supply.                                                                                                                                                                       |
| DECOUPLE | 40     | Decouple output for on-chip voltage regulator. An external decoupling capacitor is required at this pin. | PC8      | 41       | GPIO                                                                                                                                                                                        |
| PC9      | 42     | GPIO                                                                                                     | PC10     | 43       | GPIO (5V)                                                                                                                                                                                   |
| PC11     | 44     | GPIO (5V)                                                                                                | PC12     | 45       | GPIO (5V)                                                                                                                                                                                   |
| PC13     | 46     | GPIO (5V)                                                                                                | PC14     | 47       | GPIO (5V)                                                                                                                                                                                   |
| PC15     | 48     | GPIO (5V)                                                                                                | PF0      | 49       | GPIO (5V)                                                                                                                                                                                   |
| PF1      | 50     | GPIO (5V)                                                                                                | PF2      | 51       | GPIO                                                                                                                                                                                        |
| PF3      | 52     | GPIO                                                                                                     | PF4      | 53       | GPIO                                                                                                                                                                                        |
| PF5      | 54     | GPIO                                                                                                     | PE8      | 57       | GPIO                                                                                                                                                                                        |
| PE9      | 58     | GPIO                                                                                                     | PE10     | 59       | GPIO                                                                                                                                                                                        |
| PE11     | 60     | GPIO                                                                                                     | PE12     | 61       | GPIO                                                                                                                                                                                        |
| PE13     | 62     | GPIO                                                                                                     | PE14     | 63       | GPIO                                                                                                                                                                                        |
| PE15     | 64     | GPIO                                                                                                     |          |          |                                                                                                                                                                                             |

**Note:**

1. GPIO with 5V tolerance are indicated by (5V).

### 5.6 EFM32TG11B5xx in QFN64 Device Pinout



Figure 5.6. EFM32TG11B5xx in QFN64 Device Pinout

The following table provides package pin connections and general descriptions of pin functionality. For detailed information on the supported features for each GPIO pin, see [5.14 GPIO Functionality Table](#) or [5.15 Alternate Functionality Overview](#).

Table 5.6. EFM32TG11B5xx in QFN64 Device Pinout

| Pin Name | Pin(s)        | Description                | Pin Name | Pin(s) | Description |
|----------|---------------|----------------------------|----------|--------|-------------|
| VSS      | 0             | Ground                     | PA0      | 1      | GPIO        |
| PA1      | 2             | GPIO                       | PA2      | 3      | GPIO        |
| PA3      | 4             | GPIO                       | PA4      | 5      | GPIO        |
| PA5      | 6             | GPIO                       | PA6      | 7      | GPIO        |
| IOVDD0   | 8<br>27<br>55 | Digital IO power supply 0. | PB3      | 9      | GPIO        |
| PB4      | 10            | GPIO                       | PB5      | 11     | GPIO        |

| Pin Name | Pin(s)   | Description                                                                                              | Pin Name | Pin(s) | Description                                                                                                                                                                                 |
|----------|----------|----------------------------------------------------------------------------------------------------------|----------|--------|---------------------------------------------------------------------------------------------------------------------------------------------------------------------------------------------|
| PB6      | 12       | GPIO                                                                                                     | PC4      | 13     | GPIO                                                                                                                                                                                        |
| PC5      | 14       | GPIO                                                                                                     | PB7      | 15     | GPIO                                                                                                                                                                                        |
| PB8      | 16       | GPIO                                                                                                     | PA8      | 17     | GPIO                                                                                                                                                                                        |
| PA12     | 18       | GPIO                                                                                                     | PA13     | 19     | GPIO (5V)                                                                                                                                                                                   |
| PA14     | 20       | GPIO                                                                                                     | RESETn   | 21     | Reset input, active low. To apply an external reset source to this pin, it is required to only drive this pin low during reset, and let the internal pull-up ensure that reset is released. |
| PB11     | 22       | GPIO                                                                                                     | PB12     | 23     | GPIO                                                                                                                                                                                        |
| AVDD     | 24<br>28 | Analog power supply.                                                                                     | PB13     | 25     | GPIO                                                                                                                                                                                        |
| PB14     | 26       | GPIO                                                                                                     | PD0      | 29     | GPIO (5V)                                                                                                                                                                                   |
| PD1      | 30       | GPIO                                                                                                     | PD3      | 31     | GPIO                                                                                                                                                                                        |
| PD4      | 32       | GPIO                                                                                                     | PD5      | 33     | GPIO                                                                                                                                                                                        |
| PD6      | 34       | GPIO                                                                                                     | PD7      | 35     | GPIO                                                                                                                                                                                        |
| PD8      | 36       | GPIO                                                                                                     | PC7      | 37     | GPIO                                                                                                                                                                                        |
| VREGVSS  | 38       | Voltage regulator VSS                                                                                    | VREGSW   | 39     | DCDC regulator switching node                                                                                                                                                               |
| VREGVDD  | 40       | Voltage regulator VDD input                                                                              | DVDD     | 41     | Digital power supply.                                                                                                                                                                       |
| DECOUPLE | 42       | Decouple output for on-chip voltage regulator. An external decoupling capacitor is required at this pin. | PE4      | 43     | GPIO                                                                                                                                                                                        |
| PE5      | 44       | GPIO                                                                                                     | PE6      | 45     | GPIO                                                                                                                                                                                        |
| PE7      | 46       | GPIO                                                                                                     | PC12     | 47     | GPIO (5V)                                                                                                                                                                                   |
| PC13     | 48       | GPIO (5V)                                                                                                | PF0      | 49     | GPIO (5V)                                                                                                                                                                                   |
| PF1      | 50       | GPIO (5V)                                                                                                | PF2      | 51     | GPIO                                                                                                                                                                                        |
| PF3      | 52       | GPIO                                                                                                     | PF4      | 53     | GPIO                                                                                                                                                                                        |
| PF5      | 54       | GPIO                                                                                                     | PE8      | 56     | GPIO                                                                                                                                                                                        |
| PE9      | 57       | GPIO                                                                                                     | PE10     | 58     | GPIO                                                                                                                                                                                        |
| PE11     | 59       | GPIO                                                                                                     | PE12     | 60     | GPIO                                                                                                                                                                                        |
| PE13     | 61       | GPIO                                                                                                     | PE14     | 62     | GPIO                                                                                                                                                                                        |
| PE15     | 63       | GPIO                                                                                                     | PA15     | 64     | GPIO                                                                                                                                                                                        |

**Note:**

1. GPIO with 5V tolerance are indicated by (5V).

### 5.7 EFM32TG11B3xx in QFN64 Device Pinout



Figure 5.7. EFM32TG11B3xx in QFN64 Device Pinout

The following table provides package pin connections and general descriptions of pin functionality. For detailed information on the supported features for each GPIO pin, see [5.14 GPIO Functionality Table](#) or [5.15 Alternate Functionality Overview](#).

Table 5.7. EFM32TG11B3xx in QFN64 Device Pinout

| Pin Name | Pin(s)        | Description                | Pin Name | Pin(s) | Description |
|----------|---------------|----------------------------|----------|--------|-------------|
| VSS      | 0             | Ground                     | PA0      | 1      | GPIO        |
| PA1      | 2             | GPIO                       | PA2      | 3      | GPIO        |
| PA3      | 4             | GPIO                       | PA4      | 5      | GPIO        |
| PA5      | 6             | GPIO                       | PA6      | 7      | GPIO        |
| IOVDD0   | 8<br>26<br>55 | Digital IO power supply 0. | PB3      | 9      | GPIO        |
| PB4      | 10            | GPIO                       | PB5      | 11     | GPIO        |

| Pin Name | Pin(s) | Description                                                                                                                                                                                 | Pin Name | Pin(s)   | Description           |
|----------|--------|---------------------------------------------------------------------------------------------------------------------------------------------------------------------------------------------|----------|----------|-----------------------|
| PB6      | 12     | GPIO                                                                                                                                                                                        | PC4      | 13       | GPIO                  |
| PC5      | 14     | GPIO                                                                                                                                                                                        | PB7      | 15       | GPIO                  |
| PB8      | 16     | GPIO                                                                                                                                                                                        | PA12     | 17       | GPIO                  |
| PA13     | 18     | GPIO (5V)                                                                                                                                                                                   | PA14     | 19       | GPIO                  |
| RESETn   | 20     | Reset input, active low. To apply an external reset source to this pin, it is required to only drive this pin low during reset, and let the internal pull-up ensure that reset is released. | PB11     | 21       | GPIO                  |
| PB12     | 22     | GPIO                                                                                                                                                                                        | AVDD     | 23<br>27 | Analog power supply.  |
| PB13     | 24     | GPIO                                                                                                                                                                                        | PB14     | 25       | GPIO                  |
| PD0      | 28     | GPIO (5V)                                                                                                                                                                                   | PD1      | 29       | GPIO                  |
| PD2      | 30     | GPIO (5V)                                                                                                                                                                                   | PD3      | 31       | GPIO                  |
| PD4      | 32     | GPIO                                                                                                                                                                                        | PD5      | 33       | GPIO                  |
| PD6      | 34     | GPIO                                                                                                                                                                                        | PD7      | 35       | GPIO                  |
| PD8      | 36     | GPIO                                                                                                                                                                                        | PC6      | 37       | GPIO                  |
| PC7      | 38     | GPIO                                                                                                                                                                                        | DVDD     | 39       | Digital power supply. |
| DECOUPLE | 40     | Decouple output for on-chip voltage regulator. An external decoupling capacitor is required at this pin.                                                                                    | PE4      | 41       | GPIO                  |
| PE5      | 42     | GPIO                                                                                                                                                                                        | PE6      | 43       | GPIO                  |
| PE7      | 44     | GPIO                                                                                                                                                                                        | PC12     | 45       | GPIO (5V)             |
| PC13     | 46     | GPIO (5V)                                                                                                                                                                                   | PC14     | 47       | GPIO (5V)             |
| PC15     | 48     | GPIO (5V)                                                                                                                                                                                   | PF0      | 49       | GPIO (5V)             |
| PF1      | 50     | GPIO (5V)                                                                                                                                                                                   | PF2      | 51       | GPIO                  |
| PF3      | 52     | GPIO                                                                                                                                                                                        | PF4      | 53       | GPIO                  |
| PF5      | 54     | GPIO                                                                                                                                                                                        | PE8      | 56       | GPIO                  |
| PE9      | 57     | GPIO                                                                                                                                                                                        | PE10     | 58       | GPIO                  |
| PE11     | 59     | GPIO                                                                                                                                                                                        | PE12     | 60       | GPIO                  |
| PE13     | 61     | GPIO                                                                                                                                                                                        | PE14     | 62       | GPIO                  |
| PE15     | 63     | GPIO                                                                                                                                                                                        | PA15     | 64       | GPIO                  |

**Note:**

1. GPIO with 5V tolerance are indicated by (5V).

### 5.8 EFM32TG11B1xx in QFN64 Device Pinout



Figure 5.8. EFM32TG11B1xx in QFN64 Device Pinout

The following table provides package pin connections and general descriptions of pin functionality. For detailed information on the supported features for each GPIO pin, see [5.14 GPIO Functionality Table](#) or [5.15 Alternate Functionality Overview](#).

Table 5.8. EFM32TG11B1xx in QFN64 Device Pinout

| Pin Name | Pin(s)        | Description                | Pin Name | Pin(s) | Description |
|----------|---------------|----------------------------|----------|--------|-------------|
| VSS      | 0             | Ground                     | PA0      | 1      | GPIO        |
| PA1      | 2             | GPIO                       | PA2      | 3      | GPIO        |
| PA3      | 4             | GPIO                       | PA4      | 5      | GPIO        |
| PA5      | 6             | GPIO                       | PA6      | 7      | GPIO        |
| IOVDD0   | 8<br>26<br>55 | Digital IO power supply 0. | PC0      | 9      | GPIO (5V)   |
| PC1      | 10            | GPIO (5V)                  | PC2      | 11     | GPIO (5V)   |



| Pin Name | Pin(s) | Description                                                                                                                                                                                 | Pin Name | Pin(s)   | Description           |
|----------|--------|---------------------------------------------------------------------------------------------------------------------------------------------------------------------------------------------|----------|----------|-----------------------|
| PC3      | 12     | GPIO (5V)                                                                                                                                                                                   | PC4      | 13       | GPIO                  |
| PC5      | 14     | GPIO                                                                                                                                                                                        | PB7      | 15       | GPIO                  |
| PB8      | 16     | GPIO                                                                                                                                                                                        | PA8      | 17       | GPIO                  |
| PA9      | 18     | GPIO                                                                                                                                                                                        | PA10     | 19       | GPIO                  |
| RESETn   | 20     | Reset input, active low. To apply an external reset source to this pin, it is required to only drive this pin low during reset, and let the internal pull-up ensure that reset is released. | PB11     | 21       | GPIO                  |
| PB12     | 22     | GPIO                                                                                                                                                                                        | AVDD     | 23<br>27 | Analog power supply.  |
| PB13     | 24     | GPIO                                                                                                                                                                                        | PB14     | 25       | GPIO                  |
| PD0      | 28     | GPIO (5V)                                                                                                                                                                                   | PD1      | 29       | GPIO                  |
| PD2      | 30     | GPIO (5V)                                                                                                                                                                                   | PD3      | 31       | GPIO                  |
| PD4      | 32     | GPIO                                                                                                                                                                                        | PD5      | 33       | GPIO                  |
| PD6      | 34     | GPIO                                                                                                                                                                                        | PD7      | 35       | GPIO                  |
| PD8      | 36     | GPIO                                                                                                                                                                                        | PC6      | 37       | GPIO                  |
| PC7      | 38     | GPIO                                                                                                                                                                                        | DVDD     | 39       | Digital power supply. |
| DECOUPLE | 40     | Decouple output for on-chip voltage regulator. An external decoupling capacitor is required at this pin.                                                                                    | PC8      | 41       | GPIO                  |
| PC9      | 42     | GPIO                                                                                                                                                                                        | PC10     | 43       | GPIO (5V)             |
| PC11     | 44     | GPIO (5V)                                                                                                                                                                                   | PC12     | 45       | GPIO (5V)             |
| PC13     | 46     | GPIO (5V)                                                                                                                                                                                   | PC14     | 47       | GPIO (5V)             |
| PC15     | 48     | GPIO (5V)                                                                                                                                                                                   | PF0      | 49       | GPIO (5V)             |
| PF1      | 50     | GPIO (5V)                                                                                                                                                                                   | PF2      | 51       | GPIO                  |
| PF3      | 52     | GPIO                                                                                                                                                                                        | PF4      | 53       | GPIO                  |
| PF5      | 54     | GPIO                                                                                                                                                                                        | PE8      | 56       | GPIO                  |
| PE9      | 57     | GPIO                                                                                                                                                                                        | PE10     | 58       | GPIO                  |
| PE11     | 59     | GPIO                                                                                                                                                                                        | PE12     | 60       | GPIO                  |
| PE13     | 61     | GPIO                                                                                                                                                                                        | PE14     | 62       | GPIO                  |
| PE15     | 63     | GPIO                                                                                                                                                                                        | PA15     | 64       | GPIO                  |

**Note:**

1. GPIO with 5V tolerance are indicated by (5V).

### 5.9 EFM32TG11B5xx in QFP48 Device Pinout



Figure 5.9. EFM32TG11B5xx in QFP48 Device Pinout

The following table provides package pin connections and general descriptions of pin functionality. For detailed information on the supported features for each GPIO pin, see [5.14 GPIO Functionality Table](#) or [5.15 Alternate Functionality Overview](#).

Table 5.9. EFM32TG11B5xx in QFP48 Device Pinout

| Pin Name | Pin(s)        | Description | Pin Name | Pin(s)        | Description                |
|----------|---------------|-------------|----------|---------------|----------------------------|
| PA0      | 1             | GPIO        | PA1      | 2             | GPIO                       |
| PA2      | 3             | GPIO        | IOVDD0   | 4<br>21<br>43 | Digital IO power supply 0. |
| VSS      | 5<br>17<br>44 | Ground      | PB3      | 6             | GPIO                       |
| PB4      | 7             | GPIO        | PB5      | 8             | GPIO                       |
| PB6      | 9             | GPIO        | PB7      | 10            | GPIO                       |

| Pin Name | Pin(s)   | Description                                                                                                                                                                                 | Pin Name | Pin(s) | Description                   |
|----------|----------|---------------------------------------------------------------------------------------------------------------------------------------------------------------------------------------------|----------|--------|-------------------------------|
| PB8      | 11       | GPIO                                                                                                                                                                                        | PA8      | 12     | GPIO                          |
| PA12     | 13       | GPIO                                                                                                                                                                                        | PA14     | 14     | GPIO                          |
| RESETn   | 15       | Reset input, active low. To apply an external reset source to this pin, it is required to only drive this pin low during reset, and let the internal pull-up ensure that reset is released. | PB11     | 16     | GPIO                          |
| AVDD     | 18<br>22 | Analog power supply.                                                                                                                                                                        | PB13     | 19     | GPIO                          |
| PB14     | 20       | GPIO                                                                                                                                                                                        | PD4      | 23     | GPIO                          |
| PD5      | 24       | GPIO                                                                                                                                                                                        | PD6      | 25     | GPIO                          |
| PD7      | 26       | GPIO                                                                                                                                                                                        | PD8      | 27     | GPIO                          |
| VREGVSS  | 28       | Voltage regulator VSS                                                                                                                                                                       | VREGSW   | 29     | DCDC regulator switching node |
| VREGVDD  | 30       | Voltage regulator VDD input                                                                                                                                                                 | DVDD     | 31     | Digital power supply.         |
| DECOUPLE | 32       | Decouple output for on-chip voltage regulator. An external decoupling capacitor is required at this pin.                                                                                    | PE4      | 33     | GPIO                          |
| PE5      | 34       | GPIO                                                                                                                                                                                        | PE6      | 35     | GPIO                          |
| PE7      | 36       | GPIO                                                                                                                                                                                        | PF0      | 37     | GPIO (5V)                     |
| PF1      | 38       | GPIO (5V)                                                                                                                                                                                   | PF2      | 39     | GPIO                          |
| PF3      | 40       | GPIO                                                                                                                                                                                        | PF4      | 41     | GPIO                          |
| PF5      | 42       | GPIO                                                                                                                                                                                        | PE10     | 45     | GPIO                          |
| PE11     | 46       | GPIO                                                                                                                                                                                        | PE12     | 47     | GPIO                          |
| PE13     | 48       | GPIO                                                                                                                                                                                        |          |        |                               |

**Note:**

1. GPIO with 5V tolerance are indicated by (5V).

5.10 EFM32TG11B3xx in QFP48 Device Pinout



Figure 5.10. EFM32TG11B3xx in QFP48 Device Pinout

The following table provides package pin connections and general descriptions of pin functionality. For detailed information on the supported features for each GPIO pin, see [5.14 GPIO Functionality Table](#) or [5.15 Alternate Functionality Overview](#).

Table 5.10. EFM32TG11B3xx in QFP48 Device Pinout

| Pin Name | Pin(s)        | Description | Pin Name | Pin(s)        | Description                |
|----------|---------------|-------------|----------|---------------|----------------------------|
| PA0      | 1             | GPIO        | PA1      | 2             | GPIO                       |
| PA2      | 3             | GPIO        | IOVDD0   | 4<br>22<br>43 | Digital IO power supply 0. |
| VSS      | 5<br>18<br>44 | Ground      | PB3      | 6             | GPIO                       |
| PB4      | 7             | GPIO        | PB5      | 8             | GPIO                       |
| PB6      | 9             | GPIO        | PC4      | 10            | GPIO                       |

| Pin Name | Pin(s) | Description           | Pin Name | Pin(s)   | Description                                                                                                                                                                                 |
|----------|--------|-----------------------|----------|----------|---------------------------------------------------------------------------------------------------------------------------------------------------------------------------------------------|
| PB7      | 11     | GPIO                  | PB8      | 12       | GPIO                                                                                                                                                                                        |
| PA12     | 13     | GPIO                  | PA13     | 14       | GPIO (5V)                                                                                                                                                                                   |
| PA14     | 15     | GPIO                  | RESETn   | 16       | Reset input, active low. To apply an external reset source to this pin, it is required to only drive this pin low during reset, and let the internal pull-up ensure that reset is released. |
| PB11     | 17     | GPIO                  | AVDD     | 19<br>23 | Analog power supply.                                                                                                                                                                        |
| PB13     | 20     | GPIO                  | PB14     | 21       | GPIO                                                                                                                                                                                        |
| PD4      | 24     | GPIO                  | PD5      | 25       | GPIO                                                                                                                                                                                        |
| PD6      | 26     | GPIO                  | PD7      | 27       | GPIO                                                                                                                                                                                        |
| DVDD     | 28     | Digital power supply. | DECOUPLE | 29       | Decouple output for on-chip voltage regulator. An external decoupling capacitor is required at this pin.                                                                                    |
| PE4      | 30     | GPIO                  | PE5      | 31       | GPIO                                                                                                                                                                                        |
| PE6      | 32     | GPIO                  | PE7      | 33       | GPIO                                                                                                                                                                                        |
| PC13     | 34     | GPIO (5V)             | PC14     | 35       | GPIO (5V)                                                                                                                                                                                   |
| PC15     | 36     | GPIO (5V)             | PF0      | 37       | GPIO (5V)                                                                                                                                                                                   |
| PF1      | 38     | GPIO (5V)             | PF2      | 39       | GPIO                                                                                                                                                                                        |
| PF3      | 40     | GPIO                  | PF4      | 41       | GPIO                                                                                                                                                                                        |
| PF5      | 42     | GPIO                  | PE10     | 45       | GPIO                                                                                                                                                                                        |
| PE11     | 46     | GPIO                  | PE12     | 47       | GPIO                                                                                                                                                                                        |
| PE13     | 48     | GPIO                  |          |          |                                                                                                                                                                                             |

**Note:**

1. GPIO with 5V tolerance are indicated by (5V).

5.11 EFM32TG11B1xx in QFP48 Device Pinout



Figure 5.11. EFM32TG11B1xx in QFP48 Device Pinout

The following table provides package pin connections and general descriptions of pin functionality. For detailed information on the supported features for each GPIO pin, see [5.14 GPIO Functionality Table](#) or [5.15 Alternate Functionality Overview](#).

Table 5.11. EFM32TG11B1xx in QFP48 Device Pinout

| Pin Name | Pin(s)        | Description | Pin Name | Pin(s)        | Description                |
|----------|---------------|-------------|----------|---------------|----------------------------|
| PA0      | 1             | GPIO        | PA1      | 2             | GPIO                       |
| PA2      | 3             | GPIO        | IOVDD0   | 4<br>22<br>43 | Digital IO power supply 0. |
| VSS      | 5<br>18<br>44 | Ground      | PC0      | 6             | GPIO (5V)                  |
| PC1      | 7             | GPIO (5V)   | PC2      | 8             | GPIO (5V)                  |
| PC3      | 9             | GPIO (5V)   | PC4      | 10            | GPIO                       |

| Pin Name | Pin(s) | Description           | Pin Name | Pin(s)   | Description                                                                                                                                                                                 |
|----------|--------|-----------------------|----------|----------|---------------------------------------------------------------------------------------------------------------------------------------------------------------------------------------------|
| PB7      | 11     | GPIO                  | PB8      | 12       | GPIO                                                                                                                                                                                        |
| PA8      | 13     | GPIO                  | PA9      | 14       | GPIO                                                                                                                                                                                        |
| PA10     | 15     | GPIO                  | RESETn   | 16       | Reset input, active low. To apply an external reset source to this pin, it is required to only drive this pin low during reset, and let the internal pull-up ensure that reset is released. |
| PB11     | 17     | GPIO                  | AVDD     | 19<br>23 | Analog power supply.                                                                                                                                                                        |
| PB13     | 20     | GPIO                  | PB14     | 21       | GPIO                                                                                                                                                                                        |
| PD4      | 24     | GPIO                  | PD5      | 25       | GPIO                                                                                                                                                                                        |
| PD6      | 26     | GPIO                  | PD7      | 27       | GPIO                                                                                                                                                                                        |
| DVDD     | 28     | Digital power supply. | DECOUPLE | 29       | Decouple output for on-chip voltage regulator. An external decoupling capacitor is required at this pin.                                                                                    |
| PC8      | 30     | GPIO                  | PC9      | 31       | GPIO                                                                                                                                                                                        |
| PC10     | 32     | GPIO (5V)             | PC11     | 33       | GPIO (5V)                                                                                                                                                                                   |
| PC13     | 34     | GPIO (5V)             | PC14     | 35       | GPIO (5V)                                                                                                                                                                                   |
| PC15     | 36     | GPIO (5V)             | PF0      | 37       | GPIO (5V)                                                                                                                                                                                   |
| PF1      | 38     | GPIO (5V)             | PF2      | 39       | GPIO                                                                                                                                                                                        |
| PF3      | 40     | GPIO                  | PF4      | 41       | GPIO                                                                                                                                                                                        |
| PF5      | 42     | GPIO                  | PE10     | 45       | GPIO                                                                                                                                                                                        |
| PE11     | 46     | GPIO                  | PE12     | 47       | GPIO                                                                                                                                                                                        |
| PE13     | 48     | GPIO                  |          |          |                                                                                                                                                                                             |

**Note:**

1. GPIO with 5V tolerance are indicated by (5V).

5.12 EFM32TG11B5xx in QFN32 Device Pinout



Figure 5.12. EFM32TG11B5xx in QFN32 Device Pinout

The following table provides package pin connections and general descriptions of pin functionality. For detailed information on the supported features for each GPIO pin, see [5.14 GPIO Functionality Table](#) or [5.15 Alternate Functionality Overview](#).

Table 5.12. EFM32TG11B5xx in QFN32 Device Pinout

| Pin Name | Pin(s)        | Description                | Pin Name | Pin(s) | Description |
|----------|---------------|----------------------------|----------|--------|-------------|
| VSS      | 0             | Ground                     | PA0      | 1      | GPIO        |
| PA1      | 2             | GPIO                       | PA2      | 3      | GPIO        |
| IOVDD0   | 4<br>14<br>30 | Digital IO power supply 0. | PC0      | 5      | GPIO (5V)   |
| PB7      | 6             | GPIO                       | PB8      | 7      | GPIO        |



| Pin Name                                                                    | Pin(s) | Description                                                                                              | Pin Name | Pin(s) | Description                                                                                                                                                                                 |
|-----------------------------------------------------------------------------|--------|----------------------------------------------------------------------------------------------------------|----------|--------|---------------------------------------------------------------------------------------------------------------------------------------------------------------------------------------------|
| PA14                                                                        | 8      | GPIO                                                                                                     | RESETn   | 9      | Reset input, active low. To apply an external reset source to this pin, it is required to only drive this pin low during reset, and let the internal pull-up ensure that reset is released. |
| PB11                                                                        | 10     | GPIO                                                                                                     | AVDD     | 11     | Analog power supply.                                                                                                                                                                        |
| PB13                                                                        | 12     | GPIO                                                                                                     | PB14     | 13     | GPIO                                                                                                                                                                                        |
| PD4                                                                         | 15     | GPIO                                                                                                     | PD5      | 16     | GPIO                                                                                                                                                                                        |
| PD6                                                                         | 17     | GPIO                                                                                                     | PD7      | 18     | GPIO                                                                                                                                                                                        |
| VREGVSS                                                                     | 19     | Voltage regulator VSS                                                                                    | VREGSW   | 20     | DCDC regulator switching node                                                                                                                                                               |
| VREGVDD                                                                     | 21     | Voltage regulator VDD input                                                                              | DVDD     | 22     | Digital power supply.                                                                                                                                                                       |
| DECOUPLE                                                                    | 23     | Decouple output for on-chip voltage regulator. An external decoupling capacitor is required at this pin. | PE4      | 24     | GPIO                                                                                                                                                                                        |
| PE5                                                                         | 25     | GPIO                                                                                                     | PC15     | 26     | GPIO (5V)                                                                                                                                                                                   |
| PF0                                                                         | 27     | GPIO (5V)                                                                                                | PF1      | 28     | GPIO (5V)                                                                                                                                                                                   |
| PF2                                                                         | 29     | GPIO                                                                                                     | PE11     | 31     | GPIO                                                                                                                                                                                        |
| PE12                                                                        | 32     | GPIO                                                                                                     |          |        |                                                                                                                                                                                             |
| <p><b>Note:</b></p> <p>1. GPIO with 5V tolerance are indicated by (5V).</p> |        |                                                                                                          |          |        |                                                                                                                                                                                             |

5.13 EFM32TG11B1xx in QFN32 Device Pinout



Figure 5.13. EFM32TG11B1xx in QFN32 Device Pinout

The following table provides package pin connections and general descriptions of pin functionality. For detailed information on the supported features for each GPIO pin, see [5.14 GPIO Functionality Table](#) or [5.15 Alternate Functionality Overview](#).

Table 5.13. EFM32TG11B1xx in QFN32 Device Pinout

| Pin Name | Pin(s)        | Description                | Pin Name | Pin(s) | Description |
|----------|---------------|----------------------------|----------|--------|-------------|
| VSS      | 0             | Ground                     | PA0      | 1      | GPIO        |
| PA1      | 2             | GPIO                       | PA2      | 3      | GPIO        |
| IOVDD0   | 4<br>14<br>28 | Digital IO power supply 0. | PC0      | 5      | GPIO (5V)   |
| PC1      | 6             | GPIO (5V)                  | PB7      | 7      | GPIO        |

| Pin Name | Pin(s) | Description           | Pin Name | Pin(s)   | Description                                                                                                                                                                                 |
|----------|--------|-----------------------|----------|----------|---------------------------------------------------------------------------------------------------------------------------------------------------------------------------------------------|
| PB8      | 8      | GPIO                  | RESETn   | 9        | Reset input, active low. To apply an external reset source to this pin, it is required to only drive this pin low during reset, and let the internal pull-up ensure that reset is released. |
| PB11     | 10     | GPIO                  | AVDD     | 11<br>15 | Analog power supply.                                                                                                                                                                        |
| PB13     | 12     | GPIO                  | PB14     | 13       | GPIO                                                                                                                                                                                        |
| PD4      | 16     | GPIO                  | PD5      | 17       | GPIO                                                                                                                                                                                        |
| PD6      | 18     | GPIO                  | PD7      | 19       | GPIO                                                                                                                                                                                        |
| DVDD     | 20     | Digital power supply. | DECOUPLE | 21       | Decouple output for on-chip voltage regulator. An external decoupling capacitor is required at this pin.                                                                                    |
| PC13     | 22     | GPIO (5V)             | PC14     | 23       | GPIO (5V)                                                                                                                                                                                   |
| PC15     | 24     | GPIO (5V)             | PF0      | 25       | GPIO (5V)                                                                                                                                                                                   |
| PF1      | 26     | GPIO (5V)             | PF2      | 27       | GPIO                                                                                                                                                                                        |
| PE10     | 29     | GPIO                  | PE11     | 30       | GPIO                                                                                                                                                                                        |
| PE12     | 31     | GPIO                  | PE13     | 32       | GPIO                                                                                                                                                                                        |

**Note:**  
1. GPIO with 5V tolerance are indicated by (5V).

## 5.14 GPIO Functionality Table

A wide selection of alternate functionality is available for multiplexing to various pins. The following table shows the name of each GPIO pin, followed by the functionality available on that pin. Refer to [5.15 Alternate Functionality Overview](#) for a list of GPIO locations available for each function.

**Table 5.14. GPIO Functionality Table**

| GPIO Name | Pin Alternate Functionality / Description |                                          |                                                  |                                                            |
|-----------|-------------------------------------------|------------------------------------------|--------------------------------------------------|------------------------------------------------------------|
|           | Analog                                    | Timers                                   | Communication                                    | Other                                                      |
| PA0       | BUSBY BUSAX<br>LCD_SEG13                  | TIM0_CC0 #0 TIM0_CC1<br>#7 PCNT0_S0IN #4 | US1_RX #5 US3_TX #0<br>LEU0_RX #4 I2C0_SDA<br>#0 | CMU_CLK2 #0 PRS_CH0<br>#0 PRS_CH3 #3<br>GPIO_EM4WU0        |
| PA1       | BUSAY BUSBX<br>LCD_SEG14                  | TIM0_CC0 #7 TIM0_CC1<br>#0 PCNT0_S1IN #4 | US3_RX #0 I2C0_SCL #0                            | CMU_CLK1 #0 PRS_CH1<br>#0                                  |
| PA2       | BUSBY BUSAX<br>LCD_SEG15                  | TIM0_CC2 #0                              | US1_RX #6 US3_CLK #0                             | CMU_CLK0 #0                                                |
| PA3       | BUSAY BUSBX<br>LCD_SEG16                  | TIM0_CDTI0 #0                            | US3_CS #0 U0_TX #2                               | CMU_CLK2 #1<br>CMU_CLK2 #4<br>CMU_CLKI0 #1 LES_AL-<br>TEX2 |
| PA4       | BUSBY BUSAX<br>LCD_SEG17                  | TIM0_CDTI1 #0                            | US3_CTS #0 U0_RX #2                              | LES_ALTEX3                                                 |
| PA5       | BUSAY BUSBX<br>LCD_SEG18                  | TIM0_CDTI2 #0                            | US3_RTS #0 U0_CTS #2                             | LES_ALTEX4 ACMP1_O<br>#7                                   |
| PA6       | BUSBY BUSAX<br>LCD_SEG19                  | WTIM0_CC0 #1                             | U0_RTS #2                                        | PRS_CH6 #0 ACMP0_O<br>#4 GPIO_EM4WU1                       |
| PA8       | BU_STAT                                   | TIM0_CC0 #6 LE-<br>TIM0_OUT0 #6          | US2_RX #2                                        |                                                            |
| PA9       | BUSAY BUSBX<br>LCD_SEG26                  | TIM0_CC1 #6 LE-<br>TIM0_OUT1 #6          | US2_CLK #2                                       |                                                            |
| PA10      | BUSBY BUSAX<br>LCD_SEG27                  | TIM0_CC2 #6                              | US2_CS #2                                        |                                                            |
| PA12      | BU_VOUT                                   | WTIM0_CDTI0 #2                           | US0_CLK #5 US2_RTS<br>#2                         | CMU_CLK0 #5 ACMP1_O<br>#3                                  |
| PA13      | BUSAY BUSBX                               | TIM0_CC2 #7<br>WTIM0_CDTI1 #2            | US0_CS #5 US2_TX #3                              |                                                            |
| PA14      | BUSBY BUSAX<br>LCD_BEXT                   | WTIM0_CDTI2 #2                           | US1_TX #6 US2_RX #3<br>US3_RTS #2                | ACMP1_O #4                                                 |
| PA15      | BUSAY BUSBX<br>LCD_SEG12                  |                                          | US2_CLK #3                                       |                                                            |
| PB3       | BUSAY BUSBX<br>LCD_SEG20 /<br>LCD_COM4    | TIM1_CC3 #2<br>WTIM0_CC0 #6              | US2_TX #1 US3_TX #2                              | ACMP0_O #7                                                 |
| PB4       | BUSBY BUSAX<br>LCD_SEG21 /<br>LCD_COM5    | WTIM0_CC1 #6                             | US2_RX #1                                        |                                                            |
| PB5       | BUSAY BUSBX<br>LCD_SEG22 /<br>LCD_COM6    | WTIM0_CC2 #6<br>PCNT0_S0IN #6            | US0_RTS #4 US2_CLK<br>#1                         |                                                            |

| GPIO Name | Pin Alternate Functionality / Description                  |                                                                   |                                                                                     |                                                          |
|-----------|------------------------------------------------------------|-------------------------------------------------------------------|-------------------------------------------------------------------------------------|----------------------------------------------------------|
|           | Analog                                                     | Timers                                                            | Communication                                                                       | Other                                                    |
| PB6       | BUSBY BUSAX<br>LCD_SEG23 /<br>LCD_COM7                     | TIM0_CC0 #3<br>PCNT0_S1IN #6                                      | US0_CTS #4 US2_CS #1                                                                |                                                          |
| PB7       | LFXTAL_P                                                   | TIM0_CDTI0 #4<br>TIM1_CC0 #3                                      | US0_TX #4 US1_CLK #0<br>US3_RX #2 U0_CTS #4                                         |                                                          |
| PB8       | LFXTAL_N                                                   | TIM0_CDTI1 #4<br>TIM1_CC1 #3                                      | US0_RX #4 US1_CS #0<br>U0_RTS #4                                                    | CMU_CLKI0 #2                                             |
| PB11      | BUSAY BUSBX<br>VDAC0_OUT0 /<br>OPA0_OUT LCD_SEG28          | TIM0_CDTI2 #4<br>TIM1_CC2 #3 LE-<br>TIM0_OUT0 #1<br>PCNT0_S1IN #7 | US0_CTS #5 US1_CLK<br>#5 US2_CS #3 I2C1_SDA<br>#1                                   | CMU_CLK1 #5<br>CMU_CLKI0 #7<br>ACMP0_O #3<br>GPIO_EM4WU7 |
| PB12      | BUSBY BUSAX<br>VDAC0_OUT1 /<br>OPA1_OUT LCD_SEG29          | TIM1_CC3 #3 LE-<br>TIM0_OUT1 #1<br>PCNT0_S0IN #7                  | US2_CTS #1 I2C1_SCL<br>#1                                                           |                                                          |
| PB13      | BUSAY BUSBX<br>HFXTAL_P                                    | WTIM1_CC0 #0                                                      | US0_CLK #4 US1_CTS<br>#5 LEU0_TX #1                                                 | CMU_CLKI0 #3<br>PRS_CH7 #0                               |
| PB14      | BUSBY BUSAX<br>HFXTAL_N                                    | WTIM1_CC1 #0                                                      | US0_CS #4 US1_RTS #5<br>LEU0_RX #1                                                  | PRS_CH6 #1                                               |
| PC0       | VDAC0_OUT0ALT /<br>OPA0_OUTALT #0 BU-<br>SACMP0Y BUSACMP0X | TIM0_CC1 #3<br>PCNT0_S0IN #2                                      | CAN0_RX #0 US0_TX #5<br>US1_TX #0 US1_CS #4<br>US2_RTS #0 US3_CS #3<br>I2C0_SDA #4  | LES_CH0 PRS_CH2 #0                                       |
| PC1       | VDAC0_OUT0ALT /<br>OPA0_OUTALT #1 BU-<br>SACMP0Y BUSACMP0X | TIM0_CC2 #3<br>WTIM0_CC0 #7<br>PCNT0_S1IN #2                      | CAN0_TX #0 US0_RX #5<br>US1_TX #4 US1_RX #0<br>US2_CTS #0 US3_RTS<br>#1 I2C0_SCL #4 | LES_CH1 PRS_CH3 #0                                       |
| PC2       | VDAC0_OUT0ALT /<br>OPA0_OUTALT #2 BU-<br>SACMP0Y BUSACMP0X | TIM0_CDTI0 #3<br>WTIM0_CC1 #7                                     | US1_RX #4 US2_TX #0                                                                 | LES_CH2                                                  |
| PC3       | VDAC0_OUT0ALT /<br>OPA0_OUTALT #3 BU-<br>SACMP0Y BUSACMP0X | TIM0_CDTI1 #3<br>WTIM0_CC2 #7                                     | US1_CLK #4 US2_RX #0                                                                | LES_CH3                                                  |
| PC4       | BUSACMP0Y BU-<br>SACMP0X OPA0_P<br>LCD_SEG24               | TIM0_CC0 #5<br>TIM0_CDTI2 #3 LE-<br>TIM0_OUT0 #3                  | US2_CLK #0 U0_TX #4<br>I2C1_SDA #0                                                  | LES_CH4<br>GPIO_EM4WU6                                   |
| PC5       | BUSACMP0Y BU-<br>SACMP0X OPA0_N<br>LCD_SEG25               | TIM0_CC1 #5 LE-<br>TIM0_OUT1 #3                                   | US2_CS #0 U0_RX #4<br>I2C1_SCL #0                                                   | LES_CH5                                                  |
| PC6       | BUSACMP0Y BU-<br>SACMP0X OPA3_P<br>LCD_SEG32               | WTIM1_CC3 #2                                                      | US0_RTS #2 US1_CTS<br>#3 I2C0_SDA #2                                                | LES_CH6                                                  |
| PC7       | BUSACMP0Y BU-<br>SACMP0X OPA3_N<br>LCD_SEG33               | WTIM1_CC0 #3                                                      | US0_CTS #2 US1_RTS<br>#3 I2C0_SCL #2                                                | LES_CH7                                                  |
| PC8       | BUSACMP1Y BU-<br>SACMP1X LCD_SEG34                         |                                                                   | US0_CS #2                                                                           | LES_CH8 PRS_CH4 #0                                       |
| PC9       | BUSACMP1Y BU-<br>SACMP1X LCD_SEG35                         |                                                                   | US0_CLK #2                                                                          | LES_CH9 PRS_CH5 #0<br>GPIO_EM4WU2                        |

| GPIO Name | Pin Alternate Functionality / Description                    |                                                                            |                                                                  |                                               |
|-----------|--------------------------------------------------------------|----------------------------------------------------------------------------|------------------------------------------------------------------|-----------------------------------------------|
|           | Analog                                                       | Timers                                                                     | Communication                                                    | Other                                         |
| PC10      | BUSACMP1Y BU-SACMP1X                                         |                                                                            | US0_RX #2                                                        | LES_CH10                                      |
| PC11      | BUSACMP1Y BU-SACMP1X                                         |                                                                            | US0_TX #2 I2C1_SDA #4                                            | LES_CH11                                      |
| PC12      | VDAC0_OUT1ALT / OPA1_OUTALT #0 BU-SACMP1Y BUSACMP1X          | TIM1_CC3 #0                                                                | US0_RTS #3 US1_CTS #4 US2_CTS #4 U0_RTS #3                       | CMU_CLK0 #1 LES_CH12                          |
| PC13      | VDAC0_OUT1ALT / OPA1_OUTALT #1 BU-SACMP1Y BUSACMP1X          | TIM0_CDTI0 #1<br>TIM1_CC0 #0 TIM1_CC2 #4 PCNT0_S0IN #0                     | US0_CTS #3 US1_RTS #4 US2_RTS #4 U0_CTS #3                       | LES_CH13                                      |
| PC14      | VDAC0_OUT1ALT / OPA1_OUTALT #2 BU-SACMP1Y BUSACMP1X          | TIM0_CDTI1 #1<br>TIM1_CC1 #0 TIM1_CC3 #4 LETIM0_OUT0 #5 PCNT0_S1IN #0      | US0_CS #3 US1_CS #3 US2_RTS #3 US3_CS #2 U0_TX #3 LEU0_TX #5     | LES_CH14 PRS_CH0 #2                           |
| PC15      | VDAC0_OUT1ALT / OPA1_OUTALT #3 BU-SACMP1Y BUSACMP1X          | TIM0_CDTI2 #1<br>TIM1_CC2 #0<br>WTIM0_CC0 #4 LETIM0_OUT1 #5                | US0_CLK #3 US1_CLK #3 US3_RTS #3 U0_RX #3 LEU0_RX #5             | LES_CH15 PRS_CH1 #2                           |
| PD0       | VDAC0_OUT0ALT / OPA0_OUTALT #4 OPA2_OUTALT BUSADC0Y BUSADC0X | WTIM1_CC2 #0                                                               | CAN0_RX #2 US1_TX #1                                             |                                               |
| PD1       | VDAC0_OUT1ALT / OPA1_OUTALT #4 BUSADC0Y BUSADC0X OPA3_OUT    | TIM0_CC0 #2<br>WTIM1_CC3 #0                                                | CAN0_TX #2 US1_RX #1                                             |                                               |
| PD2       | BUSADC0Y BUSADC0X                                            | TIM0_CC1 #2<br>WTIM1_CC0 #1                                                | US1_CLK #1                                                       |                                               |
| PD3       | BUSADC0Y BUSADC0X OPA2_N LCD_SEG30                           | TIM0_CC2 #2<br>WTIM1_CC1 #1                                                | US1_CS #1                                                        |                                               |
| PD4       | BUSADC0Y BUSADC0X OPA2_P LCD_SEG31                           | WTIM0_CDTI0 #4<br>WTIM1_CC2 #1                                             | US1_CTS #1 US3_CLK #2 LEU0_TX #0 I2C1_SDA #3                     | CMU_CLKI0 #0                                  |
| PD5       | BUSADC0Y BUSADC0X OPA2_OUT                                   | WTIM0_CDTI1 #4<br>WTIM1_CC3 #1                                             | US1_RTS #1 U0_CTS #5 LEU0_RX #0 I2C1_SCL #3                      |                                               |
| PD6       | BUSADC0Y BUSADC0X ADC0_EXTP<br>VDAC0_EXT OPA1_P              | TIM1_CC0 #4<br>WTIM0_CDTI2 #4<br>WTIM1_CC0 #2 LETIM0_OUT0 #0 PCNT0_S0IN #3 | US0_RTS #5 US1_RX #2 US2_CTS #5 US3_CTS #2 U0_RTS #5 I2C0_SDA #1 | CMU_CLK2 #2 LES_AL-TEX0 PRS_CH5 #2 ACMP0_O #2 |
| PD7       | BUSADC0Y BUSADC0X ADC0_EXTN OPA1_N                           | TIM1_CC1 #4<br>WTIM1_CC1 #2 LETIM0_OUT1 #0 PCNT0_S1IN #3                   | US1_TX #2 US3_CLK #1 U0_TX #6 I2C0_SCL #1                        | CMU_CLK0 #2 LES_AL-TEX1 ACMP1_O #2            |
| PD8       | BU_VIN                                                       | WTIM1_CC2 #2                                                               | US2_RTS #5                                                       | CMU_CLK1 #1                                   |
| PE4       | BUSDY BUSCX LCD_COM0                                         | WTIM0_CC0 #0<br>WTIM1_CC1 #4                                               | US0_CS #1 US1_CS #5 US3_CS #1 U0_RX #6 I2C0_SDA #7               |                                               |

| GPIO Name | Pin Alternate Functionality / Description |                                                   |                                                                          |                                                                |
|-----------|-------------------------------------------|---------------------------------------------------|--------------------------------------------------------------------------|----------------------------------------------------------------|
|           | Analog                                    | Timers                                            | Communication                                                            | Other                                                          |
| PE5       | BUSCY BUSDX<br>LCD_COM1                   | WTIM0_CC1 #0<br>WTIM1_CC2 #4                      | US0_CLK #1 US1_CLK<br>#6 US3_CTS #1<br>I2C0_SCL #7                       |                                                                |
| PE6       | BUSDY BUSCX<br>LCD_COM2                   | WTIM0_CC2 #0<br>WTIM1_CC3 #4                      | US0_RX #1 US3_TX #1                                                      | PRS_CH6 #2                                                     |
| PE7       | BUSCY BUSDX<br>LCD_COM3                   | WTIM1_CC0 #5                                      | US0_TX #1 US3_RX #1                                                      | PRS_CH7 #2                                                     |
| PE8       | BUSDY BUSCX<br>LCD_SEG4                   |                                                   |                                                                          | PRS_CH3 #1                                                     |
| PE9       | BUSCY BUSDX<br>LCD_SEG5                   |                                                   |                                                                          |                                                                |
| PE10      | BUSDY BUSCX<br>LCD_SEG6                   | TIM1_CC0 #1<br>WTIM0_CDTI0 #0                     | US0_TX #0                                                                | PRS_CH2 #2<br>GPIO_EM4WU9                                      |
| PE11      | BUSCY BUSDX<br>LCD_SEG7                   | TIM1_CC1 #1<br>WTIM0_CDTI1 #0                     | US0_RX #0                                                                | LES_ALTEX5 PRS_CH3<br>#2                                       |
| PE12      | BUSDY BUSCX<br>LCD_SEG8                   | TIM1_CC2 #1<br>WTIM0_CDTI2 #0 LE-<br>TIM0_OUT0 #4 | US0_RX #3 US0_CLK #0<br>I2C0_SDA #6                                      | CMU_CLK1 #2<br>CMU_CLKI0 #6 LES_AL-<br>TEX6 PRS_CH1 #3         |
| PE13      | BUSCY BUSDX<br>LCD_SEG9                   | TIM1_CC3 #1 LE-<br>TIM0_OUT1 #4                   | US0_TX #3 US0_CS #0<br>I2C0_SCL #6                                       | LES_ALTEX7 PRS_CH2<br>#3 ACMP0_O #0<br>GPIO_EM4WU5             |
| PE14      | BUSDY BUSCX<br>LCD_SEG10                  |                                                   | US0_CTS #0 LEU0_TX<br>#2                                                 |                                                                |
| PE15      | BUSCY BUSDX<br>LCD_SEG11                  |                                                   | US0_RTS #0 LEU0_RX<br>#2                                                 |                                                                |
| PF0       | BUSDY BUSCX                               | TIM0_CC0 #4<br>WTIM0_CC1 #4 LE-<br>TIM0_OUT0 #2   | CAN0_RX #1 US1_CLK<br>#2 US2_TX #5 LEU0_TX<br>#3 I2C0_SDA #5             | DBG_SWCLKTCK<br>BOOT_TX                                        |
| PF1       | BUSCY BUSDX                               | TIM0_CC1 #4<br>WTIM0_CC2 #4 LE-<br>TIM0_OUT1 #2   | US1_CS #2 US2_RX #5<br>U0_TX #5 LEU0_RX #3<br>I2C0_SCL #5                | PRS_CH4 #2<br>DBG_SWDIOTMS<br>GPIO_EM4WU3<br>BOOT_RX           |
| PF2       | BUSDY BUSCX<br>LCD_SEG0                   | TIM0_CC2 #4 TIM1_CC0<br>#5                        | CAN0_TX #1 US1_TX #5<br>US2_CLK #5 U0_RX #5<br>LEU0_TX #4 I2C1_SCL<br>#4 | CMU_CLK0 #4 PRS_CH0<br>#3 ACMP1_O #0<br>DBG_TDO<br>GPIO_EM4WU4 |
| PF3       | BUSCY BUSDX<br>LCD_SEG1                   | TIM0_CDTI0 #2<br>TIM1_CC1 #5                      | US1_CTS #2                                                               | CMU_CLK1 #4 PRS_CH0<br>#1                                      |
| PF4       | BUSDY BUSCX<br>LCD_SEG2                   | TIM0_CDTI1 #2<br>TIM1_CC2 #5                      | US1_RTS #2                                                               | PRS_CH1 #1                                                     |
| PF5       | BUSCY BUSDX<br>LCD_SEG3                   | TIM0_CDTI2 #2<br>TIM1_CC3 #6                      | US2_CS #5                                                                | PRS_CH2 #1 DBG_TDI                                             |

### 5.15 Alternate Functionality Overview

A wide selection of alternate functionality is available for multiplexing to various pins. The following table shows the name of the alternate functionality in the first column, followed by columns showing the possible LOCATION bitfield settings and the associated GPIO pin. Refer to [5.14 GPIO Functionality Table](#) for a list of functions available on each GPIO pin.

**Note:** Some functionality, such as analog interfaces, do not have alternate settings or a LOCATION bitfield. In these cases, the pinout is shown in the column corresponding to LOCATION 0.

**Table 5.15. Alternate Functionality Overview**

| Alternate<br>Functionality | LOCATION                     |                   | Description                                                              |
|----------------------------|------------------------------|-------------------|--------------------------------------------------------------------------|
|                            | 0 - 3                        | 4 - 7             |                                                                          |
| ACMP0_O                    | 0: PE13<br>2: PD6<br>3: PB11 | 4: PA6<br>7: PB3  | Analog comparator ACMP0, digital output.                                 |
| ACMP1_O                    | 0: PF2<br>2: PD7<br>3: PA12  | 4: PA14<br>7: PA5 | Analog comparator ACMP1, digital output.                                 |
| ADC0_EXTN                  | 0: PD7                       |                   | Analog to digital converter ADC0 external reference input negative pin.  |
| ADC0_EXTP                  | 0: PD6                       |                   | Analog to digital converter ADC0 external reference input positive pin.  |
| BOOT_RX                    | 0: PF1                       |                   | Bootloader RX.                                                           |
| BOOT_TX                    | 0: PF0                       |                   | Bootloader TX.                                                           |
| BU_STAT                    | 0: PA8                       |                   | Backup Power Domain status, whether or not the system is in backup mode. |
| BU_VIN                     | 0: PD8                       |                   | Battery input for Backup Power Domain.                                   |
| BU_VOUT                    | 0: PA12                      |                   | Power output for Backup Power Domain.                                    |
| CAN0_RX                    | 0: PC0<br>1: PF0<br>2: PD0   |                   | CAN0 RX.                                                                 |
| CAN0_TX                    | 0: PC1<br>1: PF2<br>2: PD1   |                   | CAN0 TX.                                                                 |
| CMU_CLK0                   | 0: PA2<br>1: PC12<br>2: PD7  | 4: PF2<br>5: PA12 | Clock Management Unit, clock output number 0.                            |
| CMU_CLK1                   | 0: PA1<br>1: PD8<br>2: PE12  | 4: PF3<br>5: PB11 | Clock Management Unit, clock output number 1.                            |
| CMU_CLK2                   | 0: PA0<br>1: PA3<br>2: PD6   | 4: PA3            | Clock Management Unit, clock output number 2.                            |



| Alternate     | LOCATION                              |                                       |                                                                                                                                                                                 |
|---------------|---------------------------------------|---------------------------------------|---------------------------------------------------------------------------------------------------------------------------------------------------------------------------------|
| Functionality | 0 - 3                                 | 4 - 7                                 | Description                                                                                                                                                                     |
| CMU_CLKI0     | 0: PD4<br>1: PA3<br>2: PB8<br>3: PB13 | 6: PE12<br>7: PB11                    | Clock Management Unit, clock input number 0.                                                                                                                                    |
| DBG_SWCLKTCK  | 0: PF0                                |                                       | Debug-interface Serial Wire clock input and JTAG Test Clock.<br>Note that this function is enabled to the pin out of reset, and has a built-in pull down.                       |
| DBG_SWDIOTMS  | 0: PF1                                |                                       | Debug-interface Serial Wire data input / output and JTAG Test Mode Select.<br>Note that this function is enabled to the pin out of reset, and has a built-in pull up.           |
| DBG_TDI       | 0: PF5                                |                                       | Debug-interface JTAG Test Data In.<br>Note that this function becomes available after the first valid JTAG command is received, and has a built-in pull up when JTAG is active. |
| DBG_TDO       | 0: PF2                                |                                       | Debug-interface JTAG Test Data Out.<br>Note that this function becomes available after the first valid JTAG command is received.                                                |
| GPIO_EM4WU0   | 0: PA0                                |                                       | Pin can be used to wake the system up from EM4                                                                                                                                  |
| GPIO_EM4WU1   | 0: PA6                                |                                       | Pin can be used to wake the system up from EM4                                                                                                                                  |
| GPIO_EM4WU2   | 0: PC9                                |                                       | Pin can be used to wake the system up from EM4                                                                                                                                  |
| GPIO_EM4WU3   | 0: PF1                                |                                       | Pin can be used to wake the system up from EM4                                                                                                                                  |
| GPIO_EM4WU4   | 0: PF2                                |                                       | Pin can be used to wake the system up from EM4                                                                                                                                  |
| GPIO_EM4WU5   | 0: PE13                               |                                       | Pin can be used to wake the system up from EM4                                                                                                                                  |
| GPIO_EM4WU6   | 0: PC4                                |                                       | Pin can be used to wake the system up from EM4                                                                                                                                  |
| GPIO_EM4WU7   | 0: PB11                               |                                       | Pin can be used to wake the system up from EM4                                                                                                                                  |
| GPIO_EM4WU9   | 0: PE10                               |                                       | Pin can be used to wake the system up from EM4                                                                                                                                  |
| HFX TAL_N     | 0: PB14                               |                                       | High Frequency Crystal negative pin. Also used as external optional clock input pin.                                                                                            |
| HFX TAL_P     | 0: PB13                               |                                       | High Frequency Crystal positive pin.                                                                                                                                            |
| I2C0_SCL      | 0: PA1<br>1: PD7<br>2: PC7            | 4: PC1<br>5: PF1<br>6: PE13<br>7: PE5 | I2C0 Serial Clock Line input / output.                                                                                                                                          |
| I2C0_SDA      | 0: PA0<br>1: PD6<br>2: PC6            | 4: PC0<br>5: PF0<br>6: PE12<br>7: PE4 | I2C0 Serial Data input / output.                                                                                                                                                |
| I2C1_SCL      | 0: PC5<br>1: PB12<br>3: PD5           | 4: PF2                                | I2C1 Serial Clock Line input / output.                                                                                                                                          |

| Alternate               | LOCATION                    |         | Description                                                                                                                                                                                                                                                                                                                                                                                                                 |
|-------------------------|-----------------------------|---------|-----------------------------------------------------------------------------------------------------------------------------------------------------------------------------------------------------------------------------------------------------------------------------------------------------------------------------------------------------------------------------------------------------------------------------|
|                         | 0 - 3                       | 4 - 7   |                                                                                                                                                                                                                                                                                                                                                                                                                             |
| I2C1_SDA                | 0: PC4<br>1: PB11<br>3: PD4 | 4: PC11 | I2C1 Serial Data input / output.                                                                                                                                                                                                                                                                                                                                                                                            |
| LCD_BEXT                | 0: PA14                     |         | LCD external supply bypass in step down or charge pump mode. If using the LCD in step-down or charge pump mode, a 1 uF (minimum) capacitor between this pin and VSS is required.<br><br>To reduce supply ripple, a larger capacitor of approximately 1000 times the total LCD segment capacitance may be used.<br><br>If using the LCD with the internal supply source, this pin may be left unconnected or used as a GPIO. |
| LCD_COM0                | 0: PE4                      |         | LCD driver common line number 0.                                                                                                                                                                                                                                                                                                                                                                                            |
| LCD_COM1                | 0: PE5                      |         | LCD driver common line number 1.                                                                                                                                                                                                                                                                                                                                                                                            |
| LCD_COM2                | 0: PE6                      |         | LCD driver common line number 2.                                                                                                                                                                                                                                                                                                                                                                                            |
| LCD_COM3                | 0: PE7                      |         | LCD driver common line number 3.                                                                                                                                                                                                                                                                                                                                                                                            |
| LCD_SEG0                | 0: PF2                      |         | LCD segment line 0.                                                                                                                                                                                                                                                                                                                                                                                                         |
| LCD_SEG1                | 0: PF3                      |         | LCD segment line 1.                                                                                                                                                                                                                                                                                                                                                                                                         |
| LCD_SEG2                | 0: PF4                      |         | LCD segment line 2.                                                                                                                                                                                                                                                                                                                                                                                                         |
| LCD_SEG3                | 0: PF5                      |         | LCD segment line 3.                                                                                                                                                                                                                                                                                                                                                                                                         |
| LCD_SEG4                | 0: PE8                      |         | LCD segment line 4.                                                                                                                                                                                                                                                                                                                                                                                                         |
| LCD_SEG5                | 0: PE9                      |         | LCD segment line 5.                                                                                                                                                                                                                                                                                                                                                                                                         |
| LCD_SEG6                | 0: PE10                     |         | LCD segment line 6.                                                                                                                                                                                                                                                                                                                                                                                                         |
| LCD_SEG7                | 0: PE11                     |         | LCD segment line 7.                                                                                                                                                                                                                                                                                                                                                                                                         |
| LCD_SEG8                | 0: PE12                     |         | LCD segment line 8.                                                                                                                                                                                                                                                                                                                                                                                                         |
| LCD_SEG9                | 0: PE13                     |         | LCD segment line 9.                                                                                                                                                                                                                                                                                                                                                                                                         |
| LCD_SEG10               | 0: PE14                     |         | LCD segment line 10.                                                                                                                                                                                                                                                                                                                                                                                                        |
| LCD_SEG11               | 0: PE15                     |         | LCD segment line 11.                                                                                                                                                                                                                                                                                                                                                                                                        |
| LCD_SEG12               | 0: PA15                     |         | LCD segment line 12.                                                                                                                                                                                                                                                                                                                                                                                                        |
| LCD_SEG13               | 0: PA0                      |         | LCD segment line 13.                                                                                                                                                                                                                                                                                                                                                                                                        |
| LCD_SEG14               | 0: PA1                      |         | LCD segment line 14.                                                                                                                                                                                                                                                                                                                                                                                                        |
| LCD_SEG15               | 0: PA2                      |         | LCD segment line 15.                                                                                                                                                                                                                                                                                                                                                                                                        |
| LCD_SEG16               | 0: PA3                      |         | LCD segment line 16.                                                                                                                                                                                                                                                                                                                                                                                                        |
| LCD_SEG17               | 0: PA4                      |         | LCD segment line 17.                                                                                                                                                                                                                                                                                                                                                                                                        |
| LCD_SEG18               | 0: PA5                      |         | LCD segment line 18.                                                                                                                                                                                                                                                                                                                                                                                                        |
| LCD_SEG19               | 0: PA6                      |         | LCD segment line 19.                                                                                                                                                                                                                                                                                                                                                                                                        |
| LCD_SEG20 /<br>LCD_COM4 | 0: PB3                      |         | LCD segment line 20. This pin may also be used as LCD COM line 4                                                                                                                                                                                                                                                                                                                                                            |
| LCD_SEG21 /<br>LCD_COM5 | 0: PB4                      |         | LCD segment line 21. This pin may also be used as LCD COM line 5                                                                                                                                                                                                                                                                                                                                                            |

| Alternate            | LOCATION |       | Description                                                      |
|----------------------|----------|-------|------------------------------------------------------------------|
|                      | 0 - 3    | 4 - 7 |                                                                  |
| LCD_SEG22 / LCD_COM6 | 0: PB5   |       | LCD segment line 22. This pin may also be used as LCD COM line 6 |
| LCD_SEG23 / LCD_COM7 | 0: PB6   |       | LCD segment line 23. This pin may also be used as LCD COM line 7 |
| LCD_SEG24            | 0: PC4   |       | LCD segment line 24.                                             |
| LCD_SEG25            | 0: PC5   |       | LCD segment line 25.                                             |
| LCD_SEG26            | 0: PA9   |       | LCD segment line 26.                                             |
| LCD_SEG27            | 0: PA10  |       | LCD segment line 27.                                             |
| LCD_SEG28            | 0: PB11  |       | LCD segment line 28.                                             |
| LCD_SEG29            | 0: PB12  |       | LCD segment line 29.                                             |
| LCD_SEG30            | 0: PD3   |       | LCD segment line 30.                                             |
| LCD_SEG31            | 0: PD4   |       | LCD segment line 31.                                             |
| LCD_SEG32            | 0: PC6   |       | LCD segment line 32.                                             |
| LCD_SEG33            | 0: PC7   |       | LCD segment line 33.                                             |
| LCD_SEG34            | 0: PC8   |       | LCD segment line 34.                                             |
| LCD_SEG35            | 0: PC9   |       | LCD segment line 35.                                             |
| LES_ALTEX0           | 0: PD6   |       | LESENSE alternate excite output 0.                               |
| LES_ALTEX1           | 0: PD7   |       | LESENSE alternate excite output 1.                               |
| LES_ALTEX2           | 0: PA3   |       | LESENSE alternate excite output 2.                               |
| LES_ALTEX3           | 0: PA4   |       | LESENSE alternate excite output 3.                               |
| LES_ALTEX4           | 0: PA5   |       | LESENSE alternate excite output 4.                               |
| LES_ALTEX5           | 0: PE11  |       | LESENSE alternate excite output 5.                               |
| LES_ALTEX6           | 0: PE12  |       | LESENSE alternate excite output 6.                               |
| LES_ALTEX7           | 0: PE13  |       | LESENSE alternate excite output 7.                               |
| LES_CH0              | 0: PC0   |       | LESENSE channel 0.                                               |
| LES_CH1              | 0: PC1   |       | LESENSE channel 1.                                               |
| LES_CH2              | 0: PC2   |       | LESENSE channel 2.                                               |
| LES_CH3              | 0: PC3   |       | LESENSE channel 3.                                               |
| LES_CH4              | 0: PC4   |       | LESENSE channel 4.                                               |
| LES_CH5              | 0: PC5   |       | LESENSE channel 5.                                               |
| LES_CH6              | 0: PC6   |       | LESENSE channel 6.                                               |
| LES_CH7              | 0: PC7   |       | LESENSE channel 7.                                               |
| LES_CH8              | 0: PC8   |       | LESENSE channel 8.                                               |
| LES_CH9              | 0: PC9   |       | LESENSE channel 9.                                               |
| LES_CH10             | 0: PC10  |       | LESENSE channel 10.                                              |
| LES_CH11             | 0: PC11  |       | LESENSE channel 11.                                              |
| LES_CH12             | 0: PC12  |       | LESENSE channel 12.                                              |

| Alternate   | LOCATION                               |                              | Description                                                                                                   |
|-------------|----------------------------------------|------------------------------|---------------------------------------------------------------------------------------------------------------|
|             | 0 - 3                                  | 4 - 7                        |                                                                                                               |
| LES_CH13    | 0: PC13                                |                              | LESENSE channel 13.                                                                                           |
| LES_CH14    | 0: PC14                                |                              | LESENSE channel 14.                                                                                           |
| LES_CH15    | 0: PC15                                |                              | LESENSE channel 15.                                                                                           |
| LETIM0_OUT0 | 0: PD6<br>1: PB11<br>2: PF0<br>3: PC4  | 4: PE12<br>5: PC14<br>6: PA8 | Low Energy Timer LETIM0, output channel 0.                                                                    |
| LETIM0_OUT1 | 0: PD7<br>1: PB12<br>2: PF1<br>3: PC5  | 4: PE13<br>5: PC15<br>6: PA9 | Low Energy Timer LETIM0, output channel 1.                                                                    |
| LEU0_RX     | 0: PD5<br>1: PB14<br>2: PE15<br>3: PF1 | 4: PA0<br>5: PC15            | LEUART0 Receive input.                                                                                        |
| LEU0_TX     | 0: PD4<br>1: PB13<br>2: PE14<br>3: PF0 | 4: PF2<br>5: PC14            | LEUART0 Transmit output. Also used as receive input in half duplex communication.                             |
| LFXTAL_N    | 0: PB8                                 |                              | Low Frequency Crystal (typically 32.768 kHz) negative pin. Also used as an optional external clock input pin. |
| LFXTAL_P    | 0: PB7                                 |                              | Low Frequency Crystal (typically 32.768 kHz) positive pin.                                                    |
| OPA0_N      | 0: PC5                                 |                              | Operational Amplifier 0 external negative input.                                                              |
| OPA0_P      | 0: PC4                                 |                              | Operational Amplifier 0 external positive input.                                                              |
| OPA1_N      | 0: PD7                                 |                              | Operational Amplifier 1 external negative input.                                                              |
| OPA1_P      | 0: PD6                                 |                              | Operational Amplifier 1 external positive input.                                                              |
| OPA2_N      | 0: PD3                                 |                              | Operational Amplifier 2 external negative input.                                                              |
| OPA2_OUT    | 0: PD5                                 |                              | Operational Amplifier 2 output.                                                                               |
| OPA2_OUTALT | 0: PD0                                 |                              | Operational Amplifier 2 alternative output.                                                                   |
| OPA2_P      | 0: PD4                                 |                              | Operational Amplifier 2 external positive input.                                                              |
| OPA3_N      | 0: PC7                                 |                              | Operational Amplifier 3 external negative input.                                                              |
| OPA3_OUT    | 0: PD1                                 |                              | Operational Amplifier 3 output.                                                                               |
| OPA3_P      | 0: PC6                                 |                              | Operational Amplifier 3 external positive input.                                                              |
| PCNT0_S0IN  | 0: PC13<br>2: PC0<br>3: PD6            | 4: PA0<br>6: PB5<br>7: PB12  | Pulse Counter PCNT0 input number 0.                                                                           |

| Alternate     | LOCATION                               |                                      |                                                   |
|---------------|----------------------------------------|--------------------------------------|---------------------------------------------------|
| Functionality | 0 - 3                                  | 4 - 7                                | Description                                       |
| PCNT0_S1IN    | 0: PC14<br>2: PC1<br>3: PD7            | 4: PA1<br>6: PB6<br>7: PB11          | Pulse Counter PCNT0 input number 1.               |
| PRS_CH0       | 0: PA0<br>1: PF3<br>2: PC14<br>3: PF2  |                                      | Peripheral Reflex System PRS, channel 0.          |
| PRS_CH1       | 0: PA1<br>1: PF4<br>2: PC15<br>3: PE12 |                                      | Peripheral Reflex System PRS, channel 1.          |
| PRS_CH2       | 0: PC0<br>1: PF5<br>2: PE10<br>3: PE13 |                                      | Peripheral Reflex System PRS, channel 2.          |
| PRS_CH3       | 0: PC1<br>1: PE8<br>2: PE11<br>3: PA0  |                                      | Peripheral Reflex System PRS, channel 3.          |
| PRS_CH4       | 0: PC8<br>2: PF1                       |                                      | Peripheral Reflex System PRS, channel 4.          |
| PRS_CH5       | 0: PC9<br>2: PD6                       |                                      | Peripheral Reflex System PRS, channel 5.          |
| PRS_CH6       | 0: PA6<br>1: PB14<br>2: PE6            |                                      | Peripheral Reflex System PRS, channel 6.          |
| PRS_CH7       | 0: PB13<br>2: PE7                      |                                      | Peripheral Reflex System PRS, channel 7.          |
| TIM0_CC0      | 0: PA0<br>2: PD1<br>3: PB6             | 4: PF0<br>5: PC4<br>6: PA8<br>7: PA1 | Timer 0 Capture Compare input / output channel 0. |
| TIM0_CC1      | 0: PA1<br>2: PD2<br>3: PC0             | 4: PF1<br>5: PC5<br>6: PA9<br>7: PA0 | Timer 0 Capture Compare input / output channel 1. |

| Alternate  | LOCATION                                |                              | Description                                          |
|------------|-----------------------------------------|------------------------------|------------------------------------------------------|
|            | 0 - 3                                   | 4 - 7                        |                                                      |
| TIM0_CC2   | 0: PA2<br>2: PD3<br>3: PC1              | 4: PF2<br>6: PA10<br>7: PA13 | Timer 0 Capture Compare input / output channel 2.    |
| TIM0_CDTI0 | 0: PA3<br>1: PC13<br>2: PF3<br>3: PC2   | 4: PB7                       | Timer 0 Complimentary Dead Time Insertion channel 0. |
| TIM0_CDTI1 | 0: PA4<br>1: PC14<br>2: PF4<br>3: PC3   | 4: PB8                       | Timer 0 Complimentary Dead Time Insertion channel 1. |
| TIM0_CDTI2 | 0: PA5<br>1: PC15<br>2: PF5<br>3: PC4   | 4: PB11                      | Timer 0 Complimentary Dead Time Insertion channel 2. |
| TIM1_CC0   | 0: PC13<br>1: PE10<br>3: PB7            | 4: PD6<br>5: PF2             | Timer 1 Capture Compare input / output channel 0.    |
| TIM1_CC1   | 0: PC14<br>1: PE11<br>3: PB8            | 4: PD7<br>5: PF3             | Timer 1 Capture Compare input / output channel 1.    |
| TIM1_CC2   | 0: PC15<br>1: PE12<br>3: PB11           | 4: PC13<br>5: PF4            | Timer 1 Capture Compare input / output channel 2.    |
| TIM1_CC3   | 0: PC12<br>1: PE13<br>2: PB3<br>3: PB12 | 4: PC14<br>6: PF5            | Timer 1 Capture Compare input / output channel 3.    |
| U0_CTS     | 2: PA5<br>3: PC13                       | 4: PB7<br>5: PD5             | UART0 Clear To Send hardware flow control input.     |
| U0_RTS     | 2: PA6<br>3: PC12                       | 4: PB8<br>5: PD6             | UART0 Request To Send hardware flow control output.  |
| U0_RX      | 2: PA4<br>3: PC15                       | 4: PC5<br>5: PF2<br>6: PE4   | UART0 Receive input.                                 |

| Alternate | LOCATION                                |                             | Description                                                                                                                                           |
|-----------|-----------------------------------------|-----------------------------|-------------------------------------------------------------------------------------------------------------------------------------------------------|
|           | 0 - 3                                   | 4 - 7                       |                                                                                                                                                       |
| U0_TX     | 2: PA3<br>3: PC14                       | 4: PC4<br>5: PF1<br>6: PD7  | UART0 Transmit output. Also used as receive input in half duplex communication.                                                                       |
| US0_CLK   | 0: PE12<br>1: PE5<br>2: PC9<br>3: PC15  | 4: PB13<br>5: PA12          | USART0 clock input / output.                                                                                                                          |
| US0_CS    | 0: PE13<br>1: PE4<br>2: PC8<br>3: PC14  | 4: PB14<br>5: PA13          | USART0 chip select input / output.                                                                                                                    |
| US0_CTS   | 0: PE14<br>2: PC7<br>3: PC13            | 4: PB6<br>5: PB11           | USART0 Clear To Send hardware flow control input.                                                                                                     |
| US0_RTS   | 0: PE15<br>2: PC6<br>3: PC12            | 4: PB5<br>5: PD6            | USART0 Request To Send hardware flow control output.                                                                                                  |
| US0_RX    | 0: PE11<br>1: PE6<br>2: PC10<br>3: PE12 | 4: PB8<br>5: PC1            | USART0 Asynchronous Receive.<br>USART0 Synchronous mode Master Input / Slave Output (MISO).                                                           |
| US0_TX    | 0: PE10<br>1: PE7<br>2: PC11<br>3: PE13 | 4: PB7<br>5: PC0            | USART0 Asynchronous Transmit. Also used as receive input in half duplex communication.<br>USART0 Synchronous mode Master Output / Slave Input (MOSI). |
| US1_CLK   | 0: PB7<br>1: PD2<br>2: PF0<br>3: PC15   | 4: PC3<br>5: PB11<br>6: PE5 | USART1 clock input / output.                                                                                                                          |
| US1_CS    | 0: PB8<br>1: PD3<br>2: PF1<br>3: PC14   | 4: PC0<br>5: PE4            | USART1 chip select input / output.                                                                                                                    |
| US1_CTS   | 1: PD4<br>2: PF3<br>3: PC6              | 4: PC12<br>5: PB13          | USART1 Clear To Send hardware flow control input.                                                                                                     |

| Alternate     | LOCATION                               |                             |                                                                                                                                                       |
|---------------|----------------------------------------|-----------------------------|-------------------------------------------------------------------------------------------------------------------------------------------------------|
| Functionality | 0 - 3                                  | 4 - 7                       | Description                                                                                                                                           |
| US1_RTS       | 1: PD5<br>2: PF4<br>3: PC7             | 4: PC13<br>5: PB14          | USART1 Request To Send hardware flow control output.                                                                                                  |
| US1_RX        | 0: PC1<br>1: PD1<br>2: PD6             | 4: PC2<br>5: PA0<br>6: PA2  | USART1 Asynchronous Receive.<br>USART1 Synchronous mode Master Input / Slave Output (MISO).                                                           |
| US1_TX        | 0: PC0<br>1: PD0<br>2: PD7             | 4: PC1<br>5: PF2<br>6: PA14 | USART1 Asynchronous Transmit. Also used as receive input in half duplex communication.<br>USART1 Synchronous mode Master Output / Slave Input (MOSI). |
| US2_CLK       | 0: PC4<br>1: PB5<br>2: PA9<br>3: PA15  | 5: PF2                      | USART2 clock input / output.                                                                                                                          |
| US2_CS        | 0: PC5<br>1: PB6<br>2: PA10<br>3: PB11 | 5: PF5                      | USART2 chip select input / output.                                                                                                                    |
| US2_CTS       | 0: PC1<br>1: PB12                      | 4: PC12<br>5: PD6           | USART2 Clear To Send hardware flow control input.                                                                                                     |
| US2_RTS       | 0: PC0<br>2: PA12<br>3: PC14           | 4: PC13<br>5: PD8           | USART2 Request To Send hardware flow control output.                                                                                                  |
| US2_RX        | 0: PC3<br>1: PB4<br>2: PA8<br>3: PA14  | 5: PF1                      | USART2 Asynchronous Receive.<br>USART2 Synchronous mode Master Input / Slave Output (MISO).                                                           |
| US2_TX        | 0: PC2<br>1: PB3<br>3: PA13            | 5: PF0                      | USART2 Asynchronous Transmit. Also used as receive input in half duplex communication.<br>USART2 Synchronous mode Master Output / Slave Input (MOSI). |
| US3_CLK       | 0: PA2<br>1: PD7<br>2: PD4             |                             | USART3 clock input / output.                                                                                                                          |
| US3_CS        | 0: PA3<br>1: PE4<br>2: PC14<br>3: PC0  |                             | USART3 chip select input / output.                                                                                                                    |



| Alternate                   | LOCATION                                 |                             | Description                                                                                                                                           |
|-----------------------------|------------------------------------------|-----------------------------|-------------------------------------------------------------------------------------------------------------------------------------------------------|
|                             | 0 - 3                                    | 4 - 7                       |                                                                                                                                                       |
| US3_CTS                     | 0: PA4<br>1: PE5<br>2: PD6               |                             | USART3 Clear To Send hardware flow control input.                                                                                                     |
| US3_RTS                     | 0: PA5<br>1: PC1<br>2: PA14<br>3: PC15   |                             | USART3 Request To Send hardware flow control output.                                                                                                  |
| US3_RX                      | 0: PA1<br>1: PE7<br>2: PB7               |                             | USART3 Asynchronous Receive.<br>USART3 Synchronous mode Master Input / Slave Output (MISO).                                                           |
| US3_TX                      | 0: PA0<br>1: PE6<br>2: PB3               |                             | USART3 Asynchronous Transmit. Also used as receive input in half duplex communication.<br>USART3 Synchronous mode Master Output / Slave Input (MOSI). |
| VDAC0_EXT                   | 0: PD6                                   |                             | Digital to analog converter VDAC0 external reference input pin.                                                                                       |
| VDAC0_OUT0 / OPA0_OUT       | 0: PB11                                  |                             | Digital to Analog Converter DAC0 output channel number 0.                                                                                             |
| VDAC0_OUT0ALT / OPA0_OUTALT | 0: PC0<br>1: PC1<br>2: PC2<br>3: PC3     | 4: PD0                      | Digital to Analog Converter DAC0 alternative output for channel 0.                                                                                    |
| VDAC0_OUT1 / OPA1_OUT       | 0: PB12                                  |                             | Digital to Analog Converter DAC0 output channel number 1.                                                                                             |
| VDAC0_OUT1ALT / OPA1_OUTALT | 0: PC12<br>1: PC13<br>2: PC14<br>3: PC15 | 4: PD1                      | Digital to Analog Converter DAC0 alternative output for channel 1.                                                                                    |
| WTIM0_CC0                   | 0: PE4<br>1: PA6                         | 4: PC15<br>6: PB3<br>7: PC1 | Wide timer 0 Capture Compare input / output channel 0.                                                                                                |
| WTIM0_CC1                   | 0: PE5                                   | 4: PF0<br>6: PB4<br>7: PC2  | Wide timer 0 Capture Compare input / output channel 1.                                                                                                |
| WTIM0_CC2                   | 0: PE6                                   | 4: PF1<br>6: PB5<br>7: PC3  | Wide timer 0 Capture Compare input / output channel 2.                                                                                                |

| Alternate   | LOCATION                              |        | Description                                               |
|-------------|---------------------------------------|--------|-----------------------------------------------------------|
|             | 0 - 3                                 | 4 - 7  |                                                           |
| WTIM0_CDTI0 | 0: PE10<br>2: PA12                    | 4: PD4 | Wide timer 0 Complimentary Dead Time Insertion channel 0. |
| WTIM0_CDTI1 | 0: PE11<br>2: PA13                    | 4: PD5 | Wide timer 0 Complimentary Dead Time Insertion channel 1. |
| WTIM0_CDTI2 | 0: PE12<br>2: PA14                    | 4: PD6 | Wide timer 0 Complimentary Dead Time Insertion channel 2. |
| WTIM1_CC0   | 0: PB13<br>1: PD2<br>2: PD6<br>3: PC7 | 5: PE7 | Wide timer 1 Capture Compare input / output channel 0.    |
| WTIM1_CC1   | 0: PB14<br>1: PD3<br>2: PD7           | 4: PE4 | Wide timer 1 Capture Compare input / output channel 1.    |
| WTIM1_CC2   | 0: PD0<br>1: PD4<br>2: PD8            | 4: PE5 | Wide timer 1 Capture Compare input / output channel 2.    |
| WTIM1_CC3   | 0: PD1<br>1: PD5<br>2: PC6            | 4: PE6 | Wide timer 1 Capture Compare input / output channel 3.    |

### 5.16 Analog Port (APORT) Client Maps

The Analog Port (APORT) is an infrastructure used to connect chip pins with on-chip analog clients such as analog comparators, ADCs, DACs, etc. The APORT consists of a set of shared buses, switches, and control logic needed to configurably implement the signal routing. [Figure 5.14 APORT Connection Diagram on page 115](#) shows the APORT routing for this device family (note that available features may vary by part number). A complete description of APORT functionality can be found in the Reference Manual.

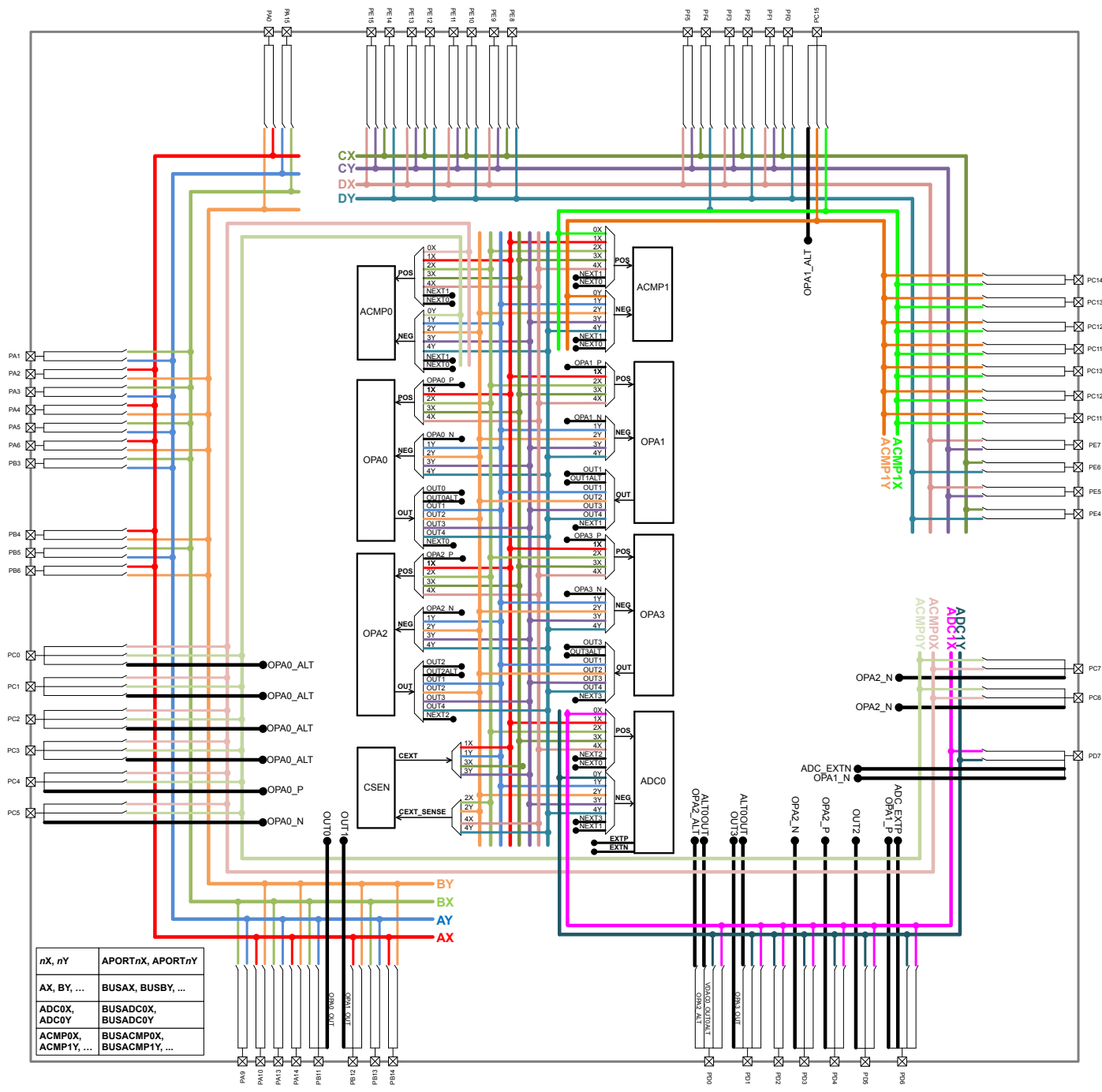


Figure 5.14. APORT Connection Diagram

Client maps for each analog circuit using the APORT are shown in the following tables. The maps are organized by bus, and show the peripheral's port connection, the shared bus, and the connection from specific bus channel numbers to GPIO pins.

In general, enumerations for the pin selection field in an analog peripheral's register can be determined by finding the desired pin connection in the table and then combining the value in the Port column (APORT\_\_), and the channel identifier (CH\_\_). For example, if pin

PF7 is available on port APORT2X as CH23, the register field enumeration to connect to PF7 would be APORT2XCH23. The shared bus used by this connection is indicated in the Bus column.

**Table 5.16. ACMP0 Bus and Pin Mapping**

| APORT4Y | APORT4X | APORT3Y | APORT3X | APORT2Y | APORT2X | APORT1Y | APORT1X | APORT0Y   | APORT0X   | Port |
|---------|---------|---------|---------|---------|---------|---------|---------|-----------|-----------|------|
| BUSDY   | BUSDX   | BUSCY   | BUSCX   | BUSBY   | BUSBX   | BUSAY   | BUSAX   | BUSACMP0Y | BUSACMP0X | Bus  |
|         |         |         |         | PB14    |         |         | PB14    |           |           | CH31 |
|         |         |         |         |         |         |         |         |           |           | CH30 |
|         |         |         |         | PB14    | PB13    | PB13    |         |           |           | CH29 |
|         |         |         |         | PB12    |         |         | PB12    |           |           | CH28 |
|         |         |         |         |         | PB11    | PB11    |         |           |           | CH27 |
|         |         |         |         |         |         |         |         |           |           | CH26 |
|         |         |         |         |         |         |         |         |           |           | CH25 |
|         |         |         |         |         |         |         |         |           |           | CH24 |
|         |         |         |         |         |         |         |         |           |           | CH23 |
|         |         |         |         | PB6     |         |         | PB6     |           |           | CH22 |
|         | PF5     | PF5     |         |         | PB5     | PB5     |         |           |           | CH21 |
| PF4     |         |         | PF4     | PB4     |         |         | PB4     |           |           | CH20 |
|         | PF3     | PF3     |         |         | PB3     | PB3     |         |           |           | CH19 |
| PF2     |         |         | PF2     |         |         |         |         |           |           | CH18 |
|         | PF1     | PF1     |         |         |         |         |         |           |           | CH17 |
| PF0     |         |         | PF0     |         |         |         |         |           |           | CH16 |
|         | PE15    | PE15    |         |         | PA15    | PA15    |         |           |           | CH15 |
| PE14    |         |         | PE14    | PA14    |         |         | PA14    |           |           | CH14 |
|         | PE13    | PE13    |         |         | PA13    | PA13    |         |           |           | CH13 |
| PE12    |         |         | PE12    |         |         |         |         |           |           | CH12 |
|         | PE11    | PE11    |         |         |         |         |         |           |           | CH11 |
| PE10    |         |         | PE10    | PA10    |         |         | PA10    |           |           | CH10 |
|         | PE9     | PE9     |         |         | PA9     | PA9     |         |           |           | CH9  |
| PE8     |         |         | PE8     |         |         |         |         |           |           | CH8  |
|         | PE7     | PE7     |         |         |         |         |         | PC7       | PC7       | CH7  |
| PE6     |         |         | PE6     | PA6     |         |         | PA6     | PC6       | PC6       | CH6  |
|         | PE5     | PE5     |         |         | PA5     | PA5     |         | PC5       | PC5       | CH5  |
| PE4     |         |         | PE4     | PA4     |         |         | PA4     | PC4       | PC4       | CH4  |
|         |         |         |         |         | PA3     | PA3     |         | PC3       | PC3       | CH3  |
|         |         |         |         | PA2     |         |         | PA2     | PC2       | PC2       | CH2  |
|         |         |         |         |         | PA1     | PA1     |         | PC1       | PC1       | CH1  |
|         |         |         |         | PA0     |         |         | PA0     | PC0       | PC0       | CH0  |

Table 5.17. ACMP1 Bus and Pin Mapping

| APORT4Y | APORT4X | APORT3Y | APORT3X | APORT2Y | APORT2X | APORT1Y | APORT1X | APORT0Y   | APORT0X   | Port Bus |
|---------|---------|---------|---------|---------|---------|---------|---------|-----------|-----------|----------|
| BUSDY   | BUSDX   | BUSCY   | BUSCX   | BUSBY   | BUSBX   | BUSAY   | BUSAX   | BUSACMP1Y | BUSACMP1X | CH31     |
|         |         |         |         | PB14    |         |         | PB14    |           |           | CH30     |
|         |         |         |         |         | PB13    | PB13    |         |           |           | CH29     |
|         |         |         |         | PB12    |         |         | PB12    |           |           | CH28     |
|         |         |         |         |         | PB11    | PB11    |         |           |           | CH27     |
|         |         |         |         |         |         |         |         |           |           | CH26     |
|         |         |         |         |         |         |         |         |           |           | CH25     |
|         |         |         |         |         |         |         |         |           |           | CH24     |
|         |         |         |         |         |         |         |         |           |           | CH23     |
|         |         |         |         | PB6     |         |         | PB6     |           |           | CH22     |
|         | PF5     | PF5     |         |         | PB5     | PB5     |         |           |           | CH21     |
| PF4     |         |         | PF4     | PB4     |         |         | PB4     |           |           | CH20     |
|         | PF3     | PF3     |         |         | PB3     | PB3     |         |           |           | CH19     |
| PF2     |         |         | PF2     |         |         |         |         |           |           | CH18     |
|         | PF1     | PF1     |         |         |         |         |         |           |           | CH17     |
| PF0     |         |         | PF0     |         |         |         |         |           |           | CH16     |
|         | PE15    | PE15    |         |         | PA15    | PA15    |         |           |           | CH15     |
| PE14    |         |         | PE14    | PA14    |         |         | PA14    |           |           | CH14     |
|         | PE13    | PE13    |         |         | PA13    | PA13    |         |           |           | CH13     |
| PE12    |         |         | PE12    |         |         |         |         |           |           | CH12     |
|         | PE11    | PE11    |         |         |         |         |         |           |           | CH11     |
| PE10    |         |         | PE10    | PA10    |         |         | PA10    |           |           | CH10     |
|         | PE9     | PE9     |         |         | PA9     | PA9     |         |           |           | CH9      |
| PE8     |         |         | PE8     |         |         |         |         |           |           | CH8      |
|         | PE7     | PE7     |         |         |         |         |         | PC15      | PC15      | CH7      |
| PE6     |         |         | PE6     | PA6     |         |         | PA6     | PC14      | PC14      | CH6      |
|         | PE5     | PE5     |         |         | PA5     | PA5     |         | PC13      | PC13      | CH5      |
| PE4     |         |         | PE4     | PA4     |         |         | PA4     | PC12      | PC12      | CH4      |
|         |         |         |         |         | PA3     | PA3     |         | PC11      | PC11      | CH3      |
|         |         |         |         | PA2     |         |         | PA2     | PC10      | PC10      | CH2      |
|         |         |         |         |         | PA1     | PA1     |         | PC9       | PC9       | CH1      |
|         |         |         |         | PA0     |         |         | PA0     | PC8       | PC8       | CH0      |

Table 5.18. ADC0 Bus and Pin Mapping

| APORT4Y | APORT4X | APORT3Y | APORT3X | APORT2Y | APORT2X | APORT1Y | APORT1X | APORT0Y  | APORT0X  | Port Bus |
|---------|---------|---------|---------|---------|---------|---------|---------|----------|----------|----------|
| BUSDY   | BUSDX   | BUSCY   | BUSCX   | BUSBY   | BUSBX   | BUSAY   | BUSAX   | BUSADC0Y | BUSADC0X | CH31     |
|         |         |         |         | PB14    |         |         | PB14    |          |          | CH30     |
|         |         |         |         |         | PB13    | PB13    |         |          |          | CH29     |
|         |         |         |         | PB12    |         |         | PB12    |          |          | CH28     |
|         |         |         |         |         | PB11    | PB11    |         |          |          | CH27     |
|         |         |         |         |         |         |         |         |          |          | CH26     |
|         |         |         |         |         |         |         |         |          |          | CH25     |
|         |         |         |         |         |         |         |         |          |          | CH24     |
|         |         |         |         |         |         |         |         |          |          | CH23     |
|         |         |         |         | PB6     |         |         | PB6     |          |          | CH22     |
|         | PF5     | PF5     |         |         | PB5     | PB5     |         |          |          | CH21     |
| PF4     |         |         | PF4     | PB4     |         |         | PB4     |          |          | CH20     |
|         | PF3     | PF3     |         |         | PB3     | PB3     |         |          |          | CH19     |
| PF2     |         |         | PF2     |         |         |         |         |          |          | CH18     |
|         | PF1     | PF1     |         |         |         |         |         |          |          | CH17     |
| PF0     |         |         | PF0     |         |         |         |         |          |          | CH16     |
|         | PE15    | PE15    |         |         | PA15    | PA15    |         |          |          | CH15     |
| PE14    |         |         | PE14    | PA14    |         |         | PA14    |          |          | CH14     |
|         | PE13    | PE13    |         |         | PA13    | PA13    |         |          |          | CH13     |
| PE12    |         |         | PE12    |         |         |         |         |          |          | CH12     |
|         | PE11    | PE11    |         |         |         |         |         |          |          | CH11     |
| PE10    |         |         | PE10    | PA10    |         |         | PA10    |          |          | CH10     |
|         | PE9     | PE9     |         |         | PA9     | PA9     |         |          |          | CH9      |
| PE8     |         |         | PE8     |         |         |         |         |          |          | CH8      |
|         | PE7     | PE7     |         |         |         |         |         | PD7      | PD7      | CH7      |
| PE6     |         |         | PE6     | PA6     |         |         | PA6     | PD6      | PD6      | CH6      |
|         | PE5     | PE5     |         |         | PA5     | PA5     |         | PD5      | PD5      | CH5      |
| PE4     |         |         | PE4     | PA4     |         |         | PA4     | PD4      | PD4      | CH4      |
|         |         |         |         |         | PA3     | PA3     |         | PD3      | PD3      | CH3      |
|         |         |         |         | PA2     |         |         | PA2     | PD2      | PD2      | CH2      |
|         |         |         |         |         | PA1     | PA1     |         | PD1      | PD1      | CH1      |
|         |         |         |         | PA0     |         |         | PA0     | PD0      | PD0      | CH0      |



Table 5.20. VDAC0 / OPA Bus and Pin Mapping

| Port          | Bus   | CH31 | CH30 | CH29 | CH28 | CH27 | CH26 | CH25 | CH24 | CH23 | CH22 | CH21 | CH20 | CH19 | CH18 | CH17 | CH16 | CH15 | CH14 | CH13 | CH12 | CH11 | CH10 | CH9 | CH8 | CH7 | CH6 | CH5 | CH4 | CH3 | CH2 | CH1 | CH0 |     |  |
|---------------|-------|------|------|------|------|------|------|------|------|------|------|------|------|------|------|------|------|------|------|------|------|------|------|-----|-----|-----|-----|-----|-----|-----|-----|-----|-----|-----|--|
| <b>OPA0_N</b> |       |      |      |      |      |      |      |      |      |      |      |      |      |      |      |      |      |      |      |      |      |      |      |     |     |     |     |     |     |     |     |     |     |     |  |
| APORT1Y       | BUSAY |      |      | PB13 |      | PB11 |      |      |      |      |      | PB5  |      | PB3  |      |      |      | PA15 |      | PA13 |      |      |      | PA9 |     |     |     | PA5 |     | PA3 |     | PA1 |     |     |  |
| APORT2Y       | BUSBY |      | PB14 |      | PB12 |      |      |      |      |      | PB6  |      | PB4  |      |      |      |      |      | PA14 |      |      |      | PA10 |     |     |     | PA6 |     |     |     |     |     |     |     |  |
| APORT3Y       | BUSCY |      |      |      |      |      |      |      |      |      |      | PF5  |      | PF3  |      | PF1  |      | PE15 |      | PE13 |      | PE11 |      | PE9 |     | PE7 |     | PE5 |     |     |     |     |     |     |  |
| APORT4Y       | BUSDY |      |      |      |      |      |      |      |      |      |      | PF4  |      | PF2  |      | PF0  |      | PE14 |      | PE12 |      | PE10 |      | PE8 |     | PE6 |     | PE4 |     |     |     |     |     | PA0 |  |
| <b>OPA0_P</b> |       |      |      |      |      |      |      |      |      |      |      |      |      |      |      |      |      |      |      |      |      |      |      |     |     |     |     |     |     |     |     |     |     |     |  |
| APORT1X       | BUSAX |      | PB14 |      | PB12 |      |      |      |      |      |      | PB6  |      | PB4  |      |      |      | PA14 |      |      |      |      | PA10 |     |     |     | PA6 |     |     |     |     |     |     | PA0 |  |
| APORT2X       | BUSBX |      |      | PB13 |      | PB11 |      |      |      |      |      |      | PB5  | PB3  |      |      |      | PA15 |      | PA13 |      |      |      | PA9 |     |     |     | PA5 |     | PA3 |     |     |     |     |  |
| APORT3X       | BUSCX |      |      |      |      |      |      |      |      |      |      |      | PF4  |      | PF2  |      | PF0  |      | PE14 |      | PE12 |      | PE10 |     | PE8 |     | PE6 |     | PE4 |     |     |     |     |     |  |
| APORT4X       | BUSDX |      |      |      |      |      |      |      |      |      |      | PF5  |      | PF3  |      | PF1  |      | PE15 |      | PE13 |      | PE11 |      | PE9 |     | PE7 |     | PE5 |     |     |     |     |     |     |  |







| Port                         | Bus   | CH31 | CH30 | CH29 | CH28 | CH27 | CH26 | CH25 | CH24 | CH23 | CH22 | CH21 | CH20 | CH19 | CH18 | CH17 | CH16 | CH15 | CH14 | CH13 | CH12 | CH11 | CH10 | CH9 | CH8 | CH7 | CH6 | CH5 | CH4 | CH3 | CH2 | CH1 | CH0 |  |  |
|------------------------------|-------|------|------|------|------|------|------|------|------|------|------|------|------|------|------|------|------|------|------|------|------|------|------|-----|-----|-----|-----|-----|-----|-----|-----|-----|-----|--|--|
| <b>OPA3_OUT</b>              |       |      |      |      |      |      |      |      |      |      |      |      |      |      |      |      |      |      |      |      |      |      |      |     |     |     |     |     |     |     |     |     |     |  |  |
| APORT1Y                      | BUSAY |      |      | PB13 |      | PB11 |      |      |      |      | PB6  | PB5  |      | PB3  |      |      |      | PA15 |      | PA13 |      |      |      |     | PA9 |     |     |     | PA5 |     |     |     |     |  |  |
| APORT2Y                      | BUSBY |      | PB14 |      | PB12 |      |      |      |      |      |      |      | PB4  |      |      |      |      |      | PA14 |      |      |      | PA10 |     |     |     | PA6 |     |     |     |     |     |     |  |  |
| APORT3Y                      | BUSCY |      |      |      |      |      |      |      |      |      |      | PF5  |      | PF3  |      | PF1  |      | PE15 |      | PE13 |      |      | PE11 |     | PE9 |     |     | PE7 |     |     |     |     |     |  |  |
| APORT4Y                      | BUSDY |      |      |      |      |      |      |      |      |      |      | PF4  |      | PF2  |      | PF0  |      | PE14 |      | PE12 |      |      | PE10 |     | PE8 |     | PE6 |     | PE4 |     |     |     |     |  |  |
| <b>OPA3_P</b>                |       |      |      |      |      |      |      |      |      |      |      |      |      |      |      |      |      |      |      |      |      |      |      |     |     |     |     |     |     |     |     |     |     |  |  |
| APORT1X                      | BUSAX |      | PB14 |      | PB12 |      |      |      |      |      | PB6  |      | PB4  |      |      |      |      | PA15 |      | PA14 |      |      |      |     |     |     | PA6 |     |     |     |     |     |     |  |  |
| APORT2X                      | BUSBX |      | PB13 |      | PB11 |      |      |      |      |      |      | PB5  |      | PB3  |      |      |      |      |      | PA13 |      |      |      | PA9 |     |     |     | PA5 |     |     |     |     |     |  |  |
| APORT3X                      | BUSCX |      |      |      |      |      |      |      |      |      |      | PF4  |      | PF2  |      | PF0  |      | PE14 |      | PE12 |      |      | PE10 |     | PE8 |     | PE6 |     | PE4 |     |     |     |     |  |  |
| APORT4X                      | BUSDX |      |      |      |      |      |      |      |      |      |      | PF5  |      | PF3  |      | PF1  |      | PE15 |      | PE13 |      |      | PE11 |     | PE9 |     | PE7 |     | PE5 |     |     |     |     |  |  |
| <b>VDAC0_OUT0 / OPA0_OUT</b> |       |      |      |      |      |      |      |      |      |      |      |      |      |      |      |      |      |      |      |      |      |      |      |     |     |     |     |     |     |     |     |     |     |  |  |
| APORT1Y                      | BUSAY |      |      | PB13 |      | PB11 |      |      |      |      |      | PB5  |      | PB3  |      |      |      | PA15 |      | PA13 |      |      |      |     | PA9 |     |     |     | PA5 |     |     |     |     |  |  |
| APORT2Y                      | BUSBY |      | PB14 |      | PB12 |      |      |      |      |      | PB6  |      | PB4  |      |      |      |      |      | PA14 |      |      |      | PA10 |     |     |     | PA6 |     |     |     |     |     |     |  |  |
| APORT3Y                      | BUSCY |      |      |      |      |      |      |      |      |      |      | PF5  |      | PF3  |      | PF1  |      | PE15 |      | PE13 |      |      | PE11 |     | PE9 |     |     | PE7 |     |     |     |     |     |  |  |
| APORT4Y                      | BUSDY |      |      |      |      |      |      |      |      |      |      | PF4  |      | PF2  |      | PF0  |      | PE14 |      | PE12 |      |      | PE10 |     | PE8 |     | PE6 |     | PE4 |     |     |     |     |  |  |



## 6. TQFP80 Package Specifications

### 6.1 TQFP80 Package Dimensions

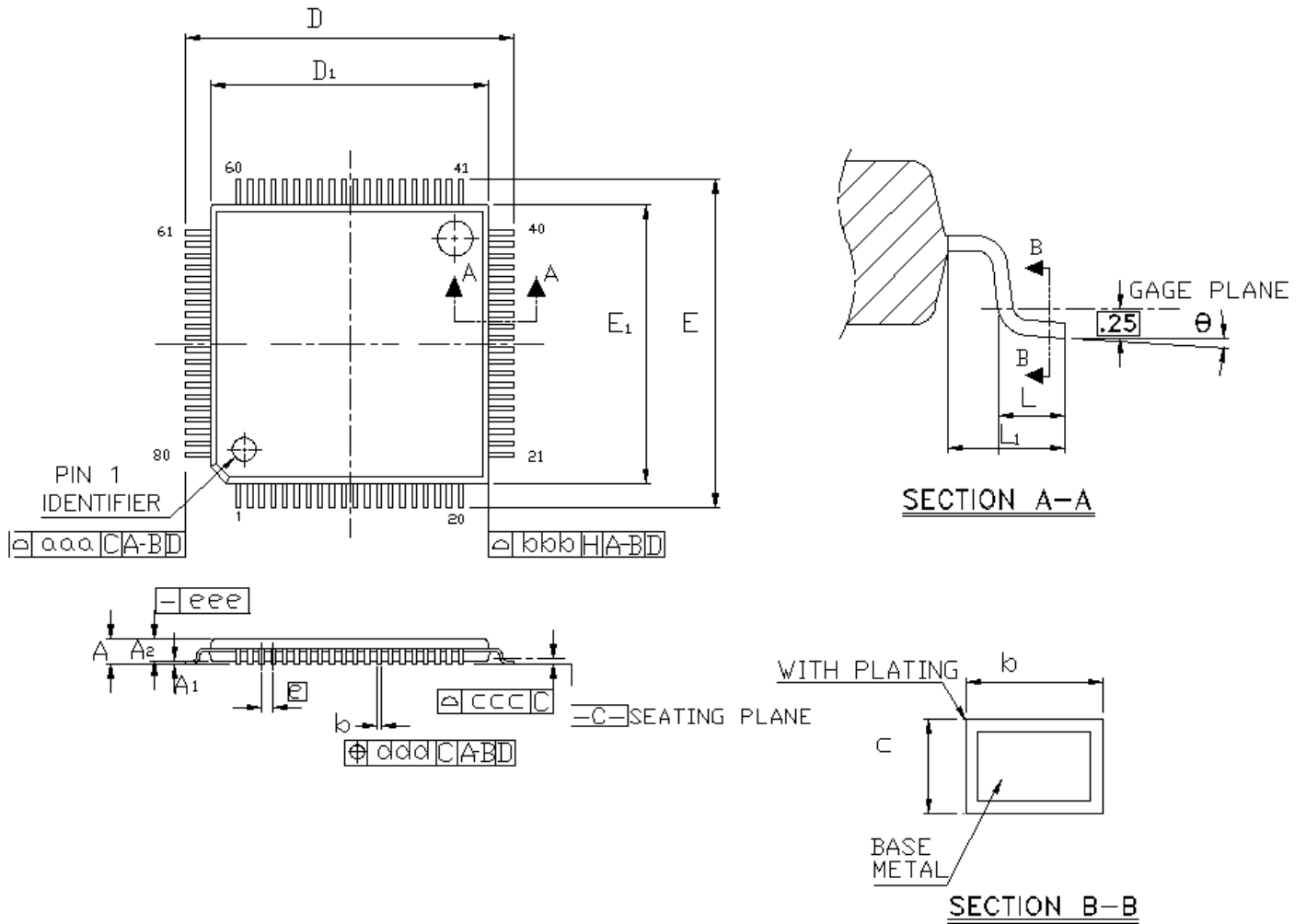


Figure 6.1. TQFP80 Package Drawing

**Table 6.1. TQFP80 Package Dimensions**

| Dimension | Min       | Typ  | Max  |
|-----------|-----------|------|------|
| A         | —         | —    | 1.20 |
| A1        | 0.05      | —    | 0.15 |
| A2        | 0.95      | 1.00 | 1.05 |
| b         | 0.17      | 0.20 | 0.27 |
| c         | 0.09      | —    | 0.20 |
| D         | 14.00 BSC |      |      |
| D1        | 12.00 BSC |      |      |
| e         | 0.50 BSC  |      |      |
| E         | 14.00 BSC |      |      |
| E1        | 12.00 BSC |      |      |
| L         | 0.45      | 0.60 | 0.75 |
| L1        | 1.00 REF  |      |      |
| θ         | 0         | 3.5  | 7    |
| aaa       | 0.20      |      |      |
| bbb       | 0.20      |      |      |
| ccc       | 0.08      |      |      |
| ddd       | 0.08      |      |      |
| eee       | 0.05      |      |      |

**Note:**

1. All dimensions shown are in millimeters (mm) unless otherwise noted.
2. Dimensioning and Tolerancing per ANSI Y14.5M-1994.
3. This package outline conforms to JEDEC MS-026, variant ADD.
4. Recommended card reflow profile is per the JEDEC/IPC J-STD-020C specification for Small Body Components.

## 6.2 TQFP80 PCB Land Pattern

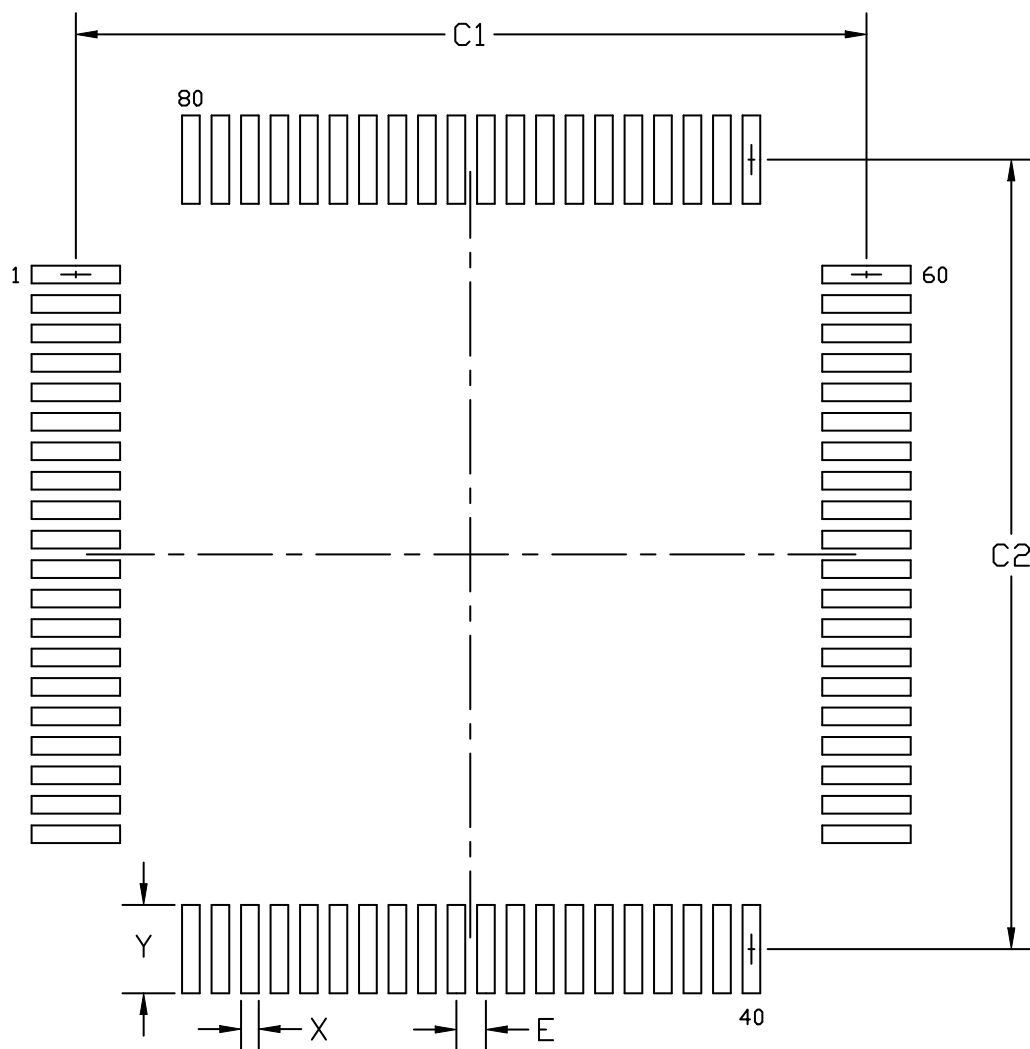


Figure 6.2. TQFP80 PCB Land Pattern Drawing

**Table 6.2. TQFP80 PCB Land Pattern Dimensions**

| Dimension | Min      | Max   |
|-----------|----------|-------|
| C1        | 13.30    | 13.40 |
| C2        | 13.30    | 13.40 |
| E         | 0.50 BSC |       |
| X         | 0.20     | 0.30  |
| Y         | 1.40     | 1.50  |

**Note:**

1. All dimensions shown are in millimeters (mm) unless otherwise noted.
2. This Land Pattern Design is based on the IPC-7351 guidelines.
3. All metal pads are to be non-solder mask defined (NSMD). Clearance between the solder mask and the metal pad is to be 60 µm minimum, all the way around the pad.
4. A stainless steel, laser-cut and electro-polished stencil with trapezoidal walls should be used to assure good solder paste release.
5. The stencil thickness should be 0.125 mm (5 mils).
6. The ratio of stencil aperture to land pad size can be 1:1 for all pads.
7. A No-Clean, Type-3 solder paste is recommended.
8. The recommended card reflow profile is per the JEDEC/IPC J-STD-020 specification for Small Body Components.

**6.3 TQFP80 Package Marking**



**Figure 6.3. TQFP80 Package Marking**

The package marking consists of:

- P P P P P P P P P P – The part number designation.
- T T T T T T – A trace or manufacturing code. The first letter is the device revision.
- Y Y – The last 2 digits of the assembly year.
- W W – The 2-digit workweek when the device was assembled.



## 7. QFN80 Package Specifications

### 7.1 QFN80 Package Dimensions

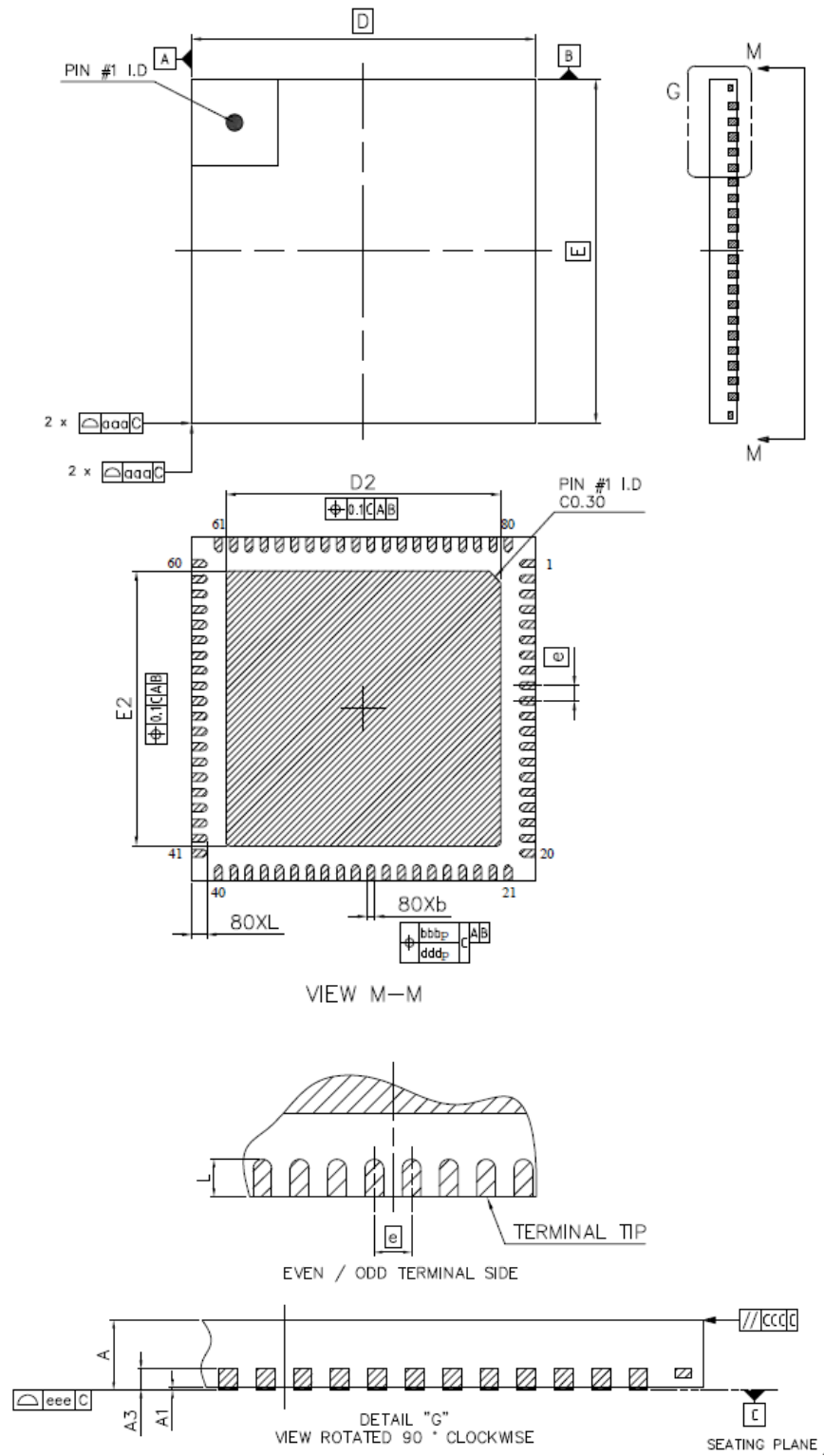


Figure 7.1. QFN80 Package Drawing

**Table 7.1. QFN80 Package Dimensions**

| Dimension | Min       | Typ  | Max  |
|-----------|-----------|------|------|
| A         | 0.70      | 0.75 | 0.80 |
| A1        | 0.00      | —    | 0.05 |
| b         | 0.15      | 0.2  | 0.25 |
| A3        | 0.203 REF |      |      |
| D         | 9.00 BSC  |      |      |
| e         | 0.40 BSC  |      |      |
| E         | 9.00 BSC  |      |      |
| D2        | 7.10      | 7.20 | 7.30 |
| E2        | 7.10      | 7.20 | 7.30 |
| L         | 0.35      | 0.40 | 0.45 |
| aaa       | 0.10      |      |      |
| bbb       | 0.10      |      |      |
| ccc       | 0.10      |      |      |
| ddd       | 0.05      |      |      |
| eee       | 0.08      |      |      |

**Note:**

1. All dimensions shown are in millimeters (mm) unless otherwise noted.
2. Dimensioning and Tolerancing per ANSI Y14.5M-1994.
3. Recommended card reflow profile is per the JEDEC/IPC J-STD-020 specification for Small Body Components.

## 7.2 QFN80 PCB Land Pattern

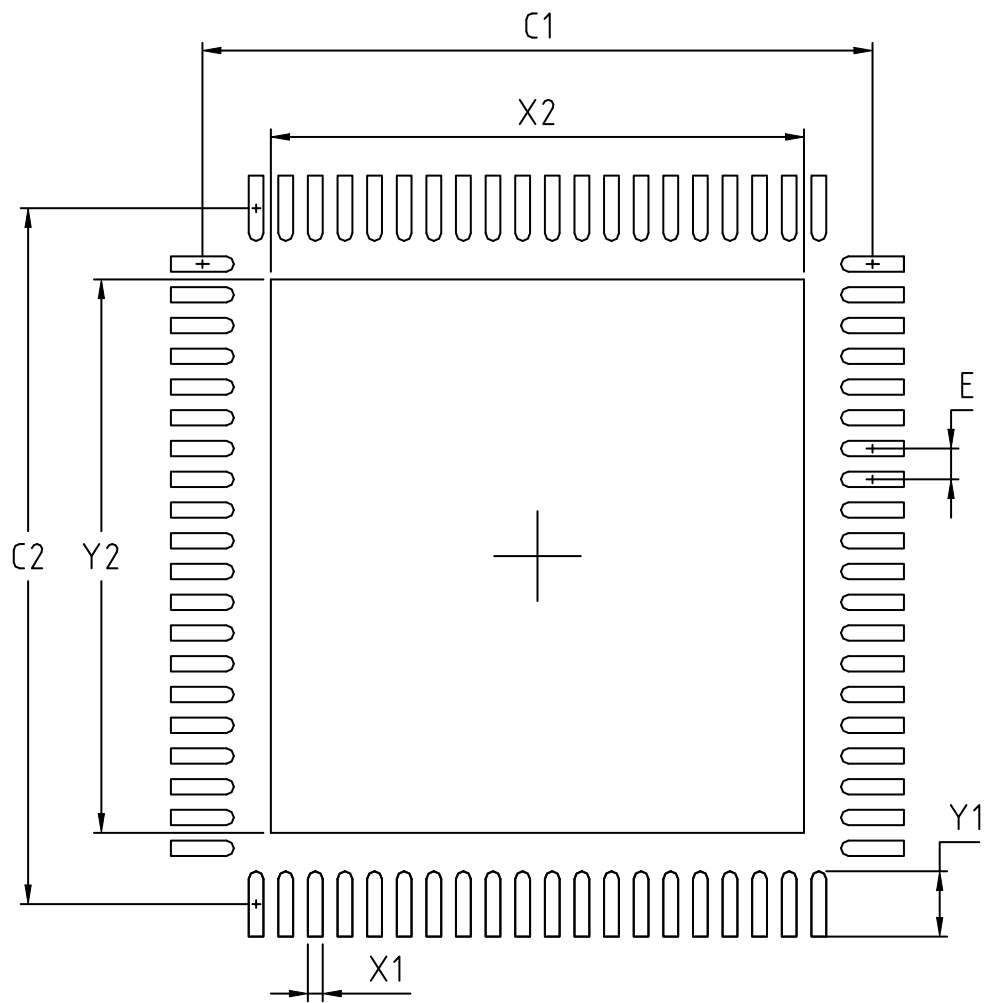


Figure 7.2. QFN80 PCB Land Pattern Drawing

Table 7.2. QFN80 PCB Land Pattern Dimensions

| Dimension | Typ  |
|-----------|------|
| C1        | 8.90 |
| C2        | 8.90 |
| E         | 0.40 |
| X1        | 0.20 |
| Y1        | 0.85 |
| X2        | 7.30 |
| Y2        | 7.30 |

**Note:**

1. All dimensions shown are in millimeters (mm) unless otherwise noted.
2. This Land Pattern Design is based on the IPC-7351 guidelines.
3. All dimensions shown are at Maximum Material Condition (MMC). Least Material Condition (LMC) is calculated based on a Fabrication Allowance of 0.05mm.
4. All metal pads are to be non-solder mask defined (NSMD). Clearance between the solder mask and the metal pad is to be 60  $\mu\text{m}$  minimum, all the way around the pad.
5. A stainless steel, laser-cut and electro-polished stencil with trapezoidal walls should be used to assure good solder paste release.
6. The stencil thickness should be 0.125 mm (5 mils).
7. The ratio of stencil aperture to land pad size can be 1:1 for all pads.
8. A 3x3 array of 1.45 mm square openings on a 2.00 mm pitch can be used for the center ground pad.
9. A No-Clean, Type-3 solder paste is recommended.
10. The recommended card reflow profile is per the JEDEC/IPC J-STD-020 specification for Small Body Components.

### 7.3 QFN80 Package Marking



Figure 7.3. QFN80 Package Marking

The package marking consists of:

- P P P P P P P P P P – The part number designation.
- T T T T T T – A trace or manufacturing code. The first letter is the device revision.
- Y Y – The last 2 digits of the assembly year.
- W W – The 2-digit workweek when the device was assembled.

## 8. TQFP64 Package Specifications

### 8.1 TQFP64 Package Dimensions



Figure 8.1. TQFP64 Package Drawing

**Table 8.1. TQFP64 Package Dimensions**

| Dimension | Min       | Typ  | Max  |
|-----------|-----------|------|------|
| A         | —         | 1.15 | 1.20 |
| A1        | 0.05      | —    | 0.15 |
| A2        | 0.95      | 1.00 | 1.05 |
| b         | 0.17      | 0.22 | 0.27 |
| b1        | 0.17      | 0.20 | 0.23 |
| c         | 0.09      | —    | 0.20 |
| c1        | 0.09      | —    | 0.16 |
| D         | 12.00 BSC |      |      |
| D1        | 10.00 BSC |      |      |
| e         | 0.50 BSC  |      |      |
| E         | 12.00 BSC |      |      |
| E1        | 10.00 BSC |      |      |
| L         | 0.45      | 0.60 | 0.75 |
| L1        | 1.00 REF  |      |      |
| R1        | 0.08      | —    | —    |
| R2        | 0.08      | —    | 0.20 |
| S         | 0.20      | —    | —    |
| θ         | 0         | 3.5  | 7    |
| θ1        | 0         | —    | 0.10 |
| θ2        | 11        | 12   | 13   |
| θ3        | 11        | 12   | 13   |

**Note:**

1. All dimensions shown are in millimeters (mm) unless otherwise noted.
2. Dimensioning and Tolerancing per ANSI Y14.5M-1994.
3. Recommended card reflow profile is per the JEDEC/IPC J-STD-020 specification for Small Body Components.

8.2 TQFP64 PCB Land Pattern



Figure 8.2. TQFP64 PCB Land Pattern Drawing



**Table 8.2. TQFP64 PCB Land Pattern Dimensions**

| Dimension | Min      | Max   |
|-----------|----------|-------|
| C1        | 11.30    | 11.40 |
| C2        | 11.30    | 11.40 |
| E         | 0.50 BSC |       |
| X         | 0.20     | 0.30  |
| Y         | 1.40     | 1.50  |

**Note:**

1. All dimensions shown are in millimeters (mm) unless otherwise noted.
2. This Land Pattern Design is based on the IPC-7351 guidelines.
3. All metal pads are to be non-solder mask defined (NSMD). Clearance between the solder mask and the metal pad is to be 60 µm minimum, all the way around the pad.
4. A stainless steel, laser-cut and electro-polished stencil with trapezoidal walls should be used to assure good solder paste release.
5. The stencil thickness should be 0.125 mm (5 mils).
6. The ratio of stencil aperture to land pad size can be 1:1 for all pads.
7. A No-Clean, Type-3 solder paste is recommended.
8. The recommended card reflow profile is per the JEDEC/IPC J-STD-020 specification for Small Body Components.

**8.3 TQFP64 Package Marking**



**Figure 8.3. TQFP64 Package Marking**

The package marking consists of:

- PPPPPPPPPP – The part number designation.
- TTTTTT – A trace or manufacturing code. The first letter is the device revision.
- YY – The last 2 digits of the assembly year.
- WW – The 2-digit workweek when the device was assembled.

## 9. QFN64 Package Specifications

### 9.1 QFN64 Package Dimensions

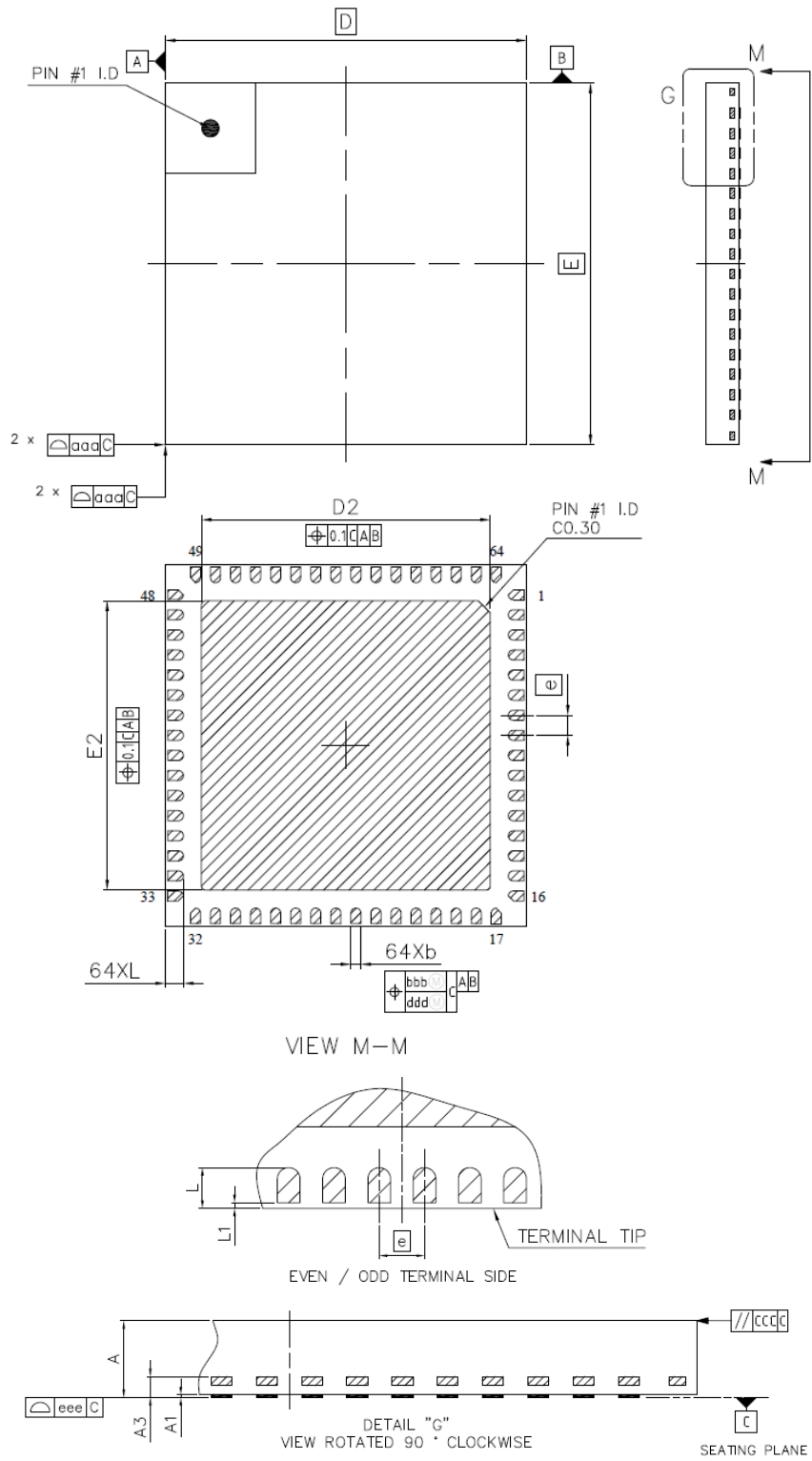


Figure 9.1. QFN64 Package Drawing

**Table 9.1. QFN64 Package Dimensions**

| Dimension | Min       | Typ  | Max  |
|-----------|-----------|------|------|
| A         | 0.70      | 0.75 | 0.80 |
| A1        | 0.00      | —    | 0.05 |
| b         | 0.20      | 0.25 | 0.30 |
| A3        | 0.203 REF |      |      |
| D         | 9.00 BSC  |      |      |
| e         | 0.50 BSC  |      |      |
| E         | 9.00 BSC  |      |      |
| D2        | 7.10      | 7.20 | 7.30 |
| E2        | 7.10      | 7.20 | 7.30 |
| L         | 0.40      | 0.45 | 0.50 |
| L1        | 0.00      | —    | 0.10 |
| aaa       | 0.10      |      |      |
| bbb       | 0.10      |      |      |
| ccc       | 0.10      |      |      |
| ddd       | 0.05      |      |      |
| eee       | 0.08      |      |      |

**Note:**

1. All dimensions shown are in millimeters (mm) unless otherwise noted.
2. Dimensioning and Tolerancing per ANSI Y14.5M-1994.
3. Recommended card reflow profile is per the JEDEC/IPC J-STD-020 specification for Small Body Components.

### 9.2 QFN64 PCB Land Pattern

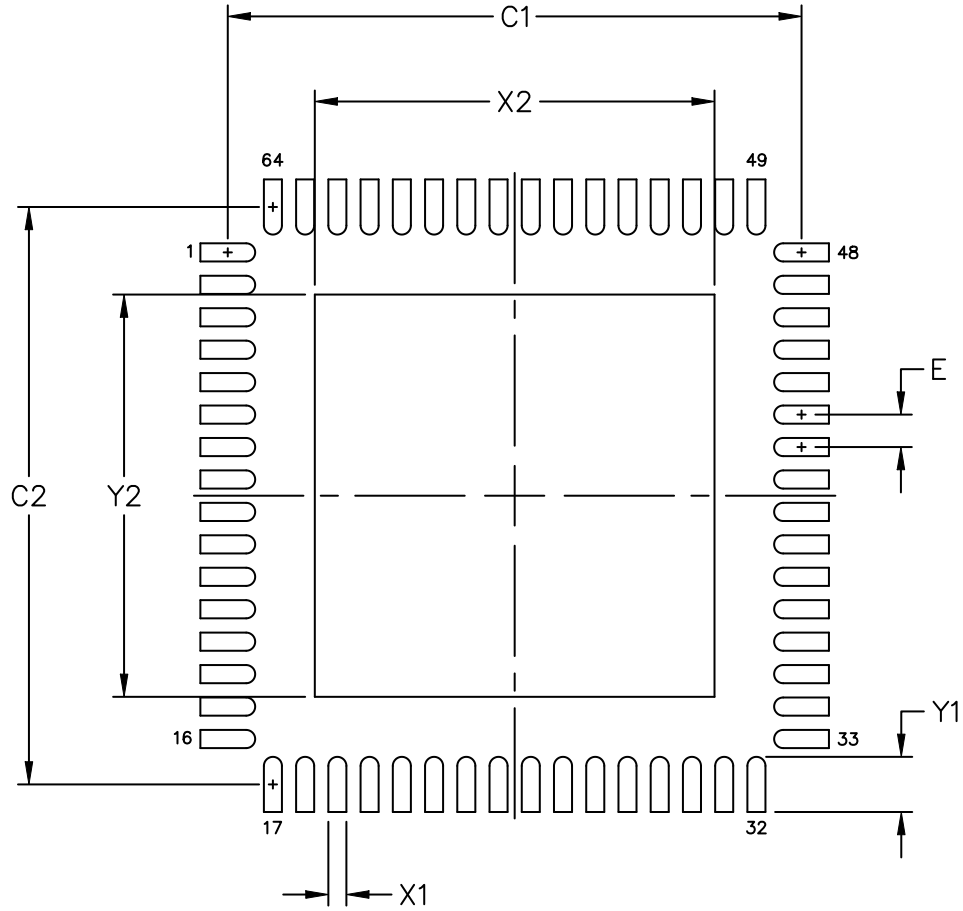


Figure 9.2. QFN64 PCB Land Pattern Drawing

Table 9.2. QFN64 PCB Land Pattern Dimensions

| Dimension | Typ  |
|-----------|------|
| C1        | 8.90 |
| C2        | 8.90 |
| E         | 0.50 |
| X1        | 0.30 |
| Y1        | 0.85 |
| X2        | 7.30 |
| Y2        | 7.30 |

**Note:**

1. All dimensions shown are in millimeters (mm) unless otherwise noted.
2. This Land Pattern Design is based on the IPC-7351 guidelines.
3. All dimensions shown are at Maximum Material Condition (MMC). Least Material Condition (LMC) is calculated based on a Fabrication Allowance of 0.05mm.
4. All metal pads are to be non-solder mask defined (NSMD). Clearance between the solder mask and the metal pad is to be 60  $\mu\text{m}$  minimum, all the way around the pad.
5. A stainless steel, laser-cut and electro-polished stencil with trapezoidal walls should be used to assure good solder paste release.
6. The stencil thickness should be 0.125 mm (5 mils).
7. The ratio of stencil aperture to land pad size can be 1:1 for all pads.
8. A 3x3 array of 1.45 mm square openings on a 2.00 mm pitch can be used for the center ground pad.
9. A No-Clean, Type-3 solder paste is recommended.
10. The recommended card reflow profile is per the JEDEC/IPC J-STD-020 specification for Small Body Components.

### 9.3 QFN64 Package Marking



Figure 9.3. QFN64 Package Marking

The package marking consists of:

- PPPPPPPPPP – The part number designation.
- TTTTTT – A trace or manufacturing code. The first letter is the device revision.
- YY – The last 2 digits of the assembly year.
- WW – The 2-digit workweek when the device was assembled.

## 10. TQFP48 Package Specifications

### 10.1 TQFP48 Package Dimensions

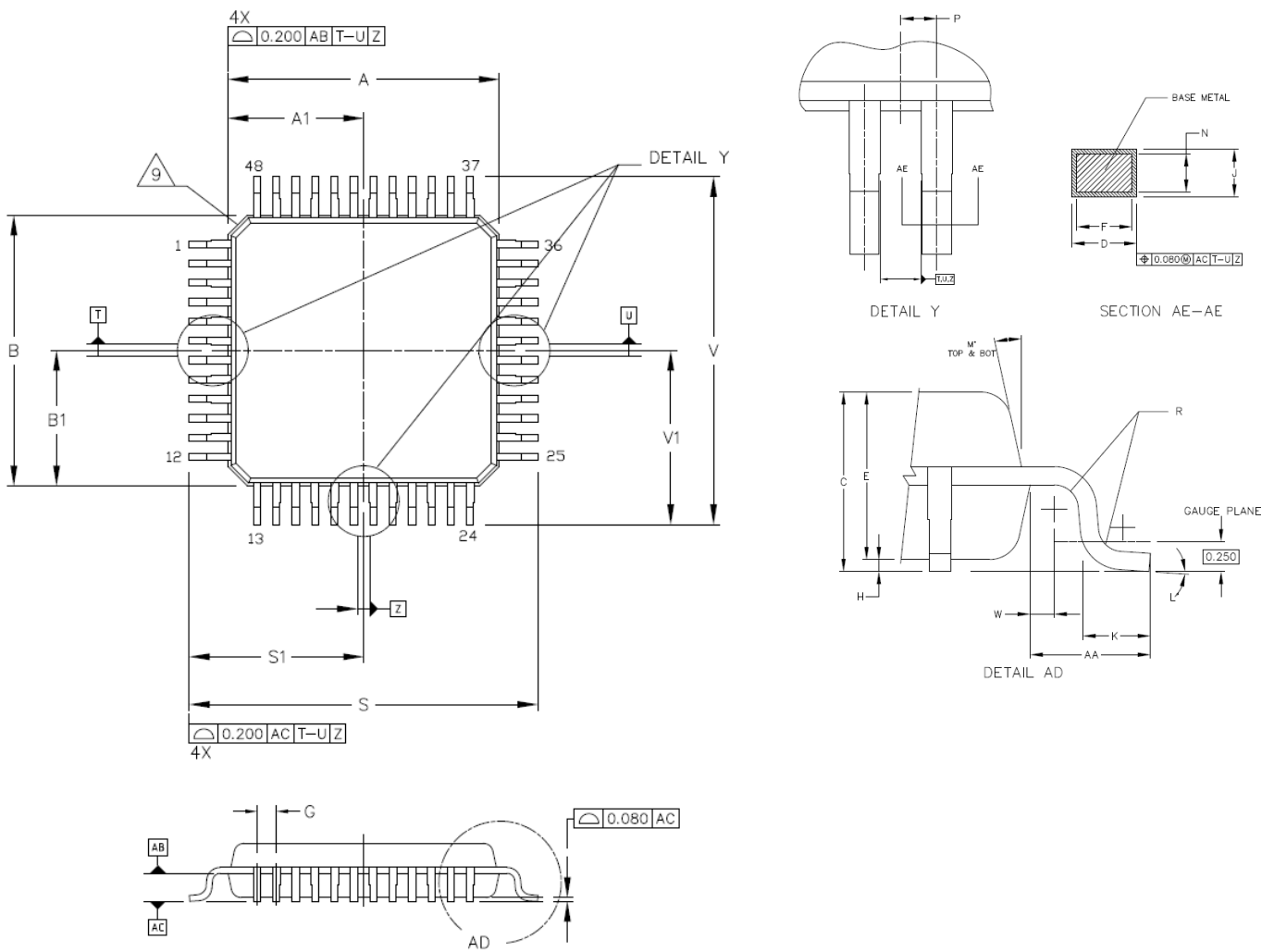


Figure 10.1. TQFP48 Package Drawing

**Table 10.1. TQFP48 Package Dimensions**

| Dimension | Min      | Typ | Max   |
|-----------|----------|-----|-------|
| A         | 7.00 BSC |     |       |
| A1        | 3.50 BSC |     |       |
| B         | 7.00 BSC |     |       |
| B1        | 3.50 BSC |     |       |
| C         | 1.00     | —   | 1.20  |
| D         | 0.17     | —   | 0.27  |
| E         | 0.95     | —   | 1.05  |
| F         | 0.17     | —   | 0.23  |
| G         | 0.50 BSC |     |       |
| H         | 0.05     | —   | 0.15  |
| J         | 0.09     | —   | 0.20  |
| K         | 0.50     | —   | 0.70  |
| L         | 0        | —   | 7     |
| M         | 12 REF   |     |       |
| N         | 0.09     | —   | 0.16  |
| P         | 0.25 BSC |     |       |
| R         | 0.150    | —   | 0.250 |
| S         | 9.00 BSC |     |       |
| S1        | 4.50 BSC |     |       |
| V         | 9.00 BSC |     |       |
| V1        | 4.50 BSC |     |       |
| W         | 0.20 BSC |     |       |
| AA        | 1.00 BSC |     |       |

**Note:**

1. All dimensions shown are in millimeters (mm) unless otherwise noted.
2. Dimensioning and Tolerancing per ANSI Y14.5M-1994.
3. Recommended card reflow profile is per the JEDEC/IPC J-STD-020 specification for Small Body Components.



## 10.2 TQFP48 PCB Land Pattern

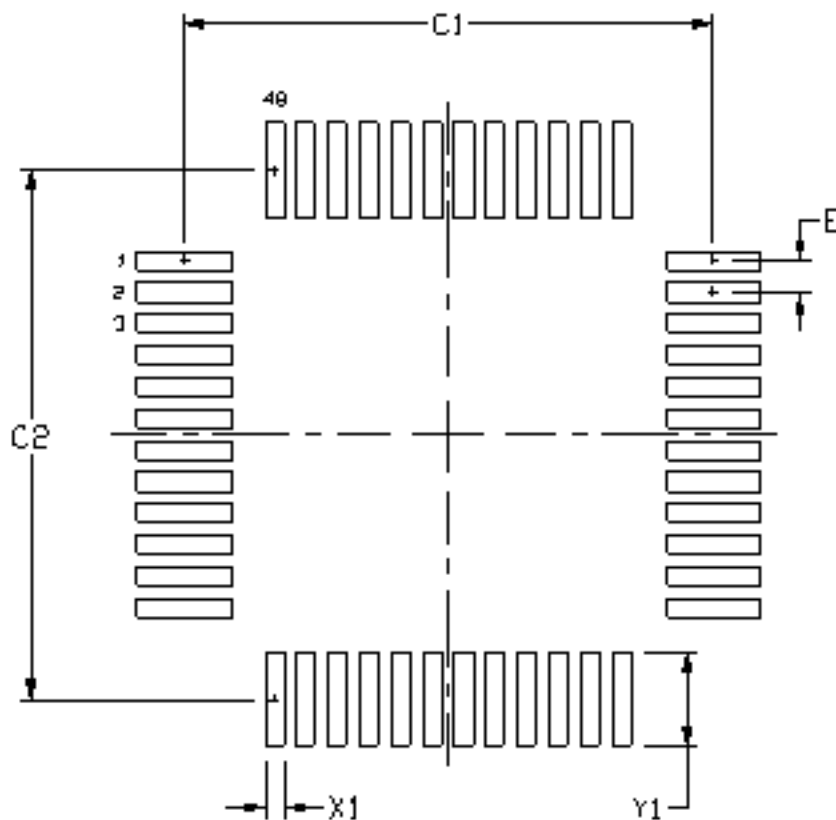


Figure 10.2. TQFP48 PCB Land Pattern Drawing

Table 10.2. TQFP48 PCB Land Pattern Dimensions

| Dimension | Typ  |
|-----------|------|
| C1        | 8.50 |
| C2        | 8.50 |
| E         | 0.50 |
| X         | 0.30 |
| Y         | 1.60 |

**Note:**

1. All dimensions shown are in millimeters (mm) unless otherwise noted.
2. This Land Pattern Design is based on the IPC-7351 guidelines.
3. All metal pads are to be non-solder mask defined (NSMD). Clearance between the solder mask and the metal pad is to be 60  $\mu$ m minimum, all the way around the pad.
4. A stainless steel, laser-cut and electro-polished stencil with trapezoidal walls should be used to assure good solder paste release.
5. The stencil thickness should be 0.125 mm (5 mils).
6. The ratio of stencil aperture to land pad size can be 1:1 for all pads.
7. A No-Clean, Type-3 solder paste is recommended.
8. The recommended card reflow profile is per the JEDEC/IPC J-STD-020C specification for Small Body Components.

### 10.3 TQFP48 Package Marking



Figure 10.3. TQFP48 Package Marking

The package marking consists of:

- P P P P P P P P P P – The part number designation.
- T T T T T T – A trace or manufacturing code. The first letter is the device revision.
- Y Y – The last 2 digits of the assembly year.
- W W – The 2-digit workweek when the device was assembled.

## 11. QFN32 Package Specifications

### 11.1 QFN32 Package Dimensions

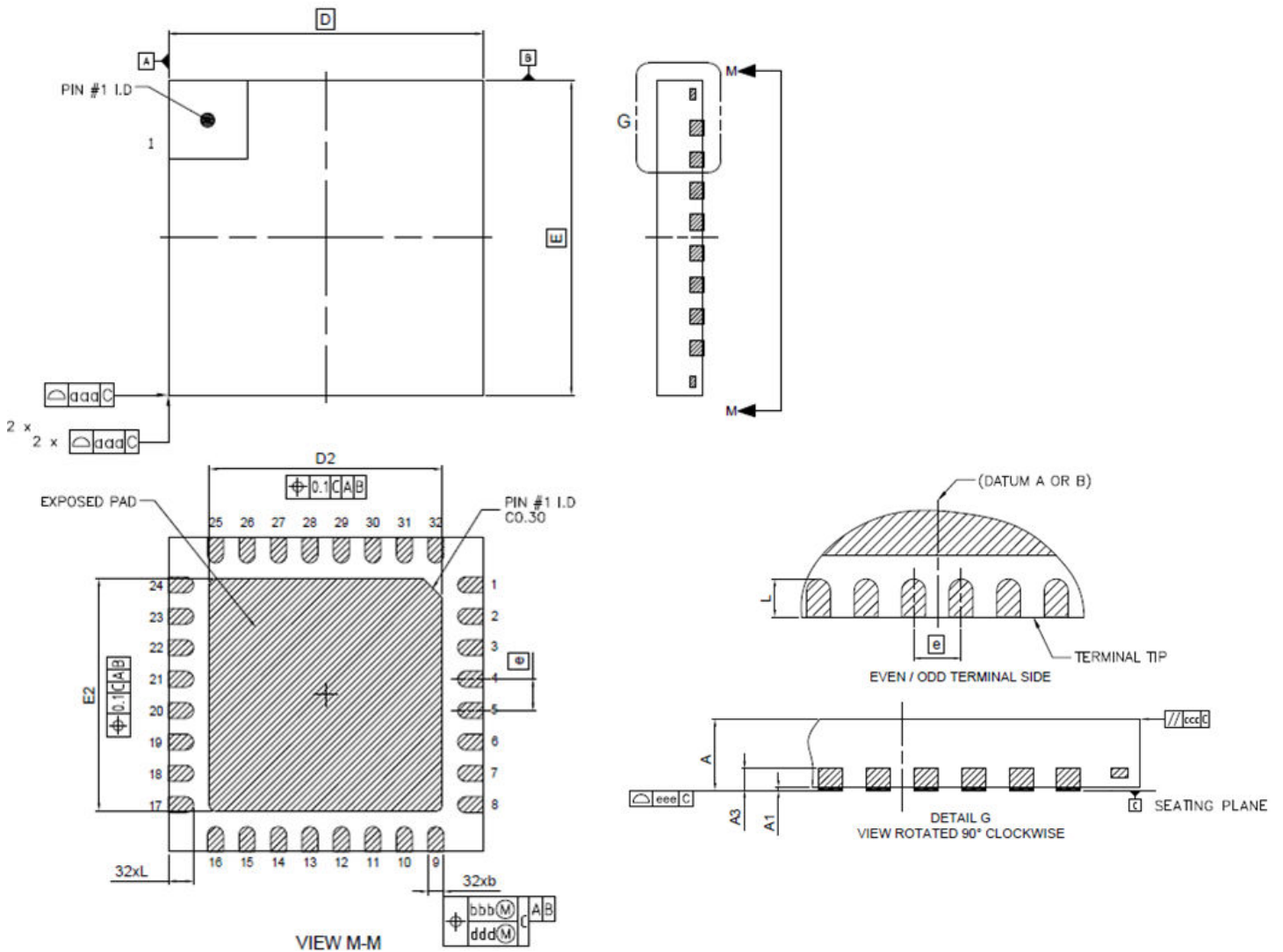


Figure 11.1. QFN32 Package Drawing

**Table 11.1. QFN32 Package Dimensions**

| Dimension | Min       | Typ  | Max  |
|-----------|-----------|------|------|
| A         | 0.70      | 0.75 | 0.80 |
| A1        | 0.00      | —    | 0.05 |
| A3        | 0.203 REF |      |      |
| b         | 0.20      | 0.25 | 0.30 |
| D         | 5.0 BSC   |      |      |
| D2/E2     | 3.60      | 3.70 | 3.80 |
| E         | 5.0 BSC   |      |      |
| e         | 0.50 BSC  |      |      |
| L         | 0.35      | 0.40 | 0.45 |
| aaa       | 0.10      |      |      |
| bbb       | 0.10      |      |      |
| ccc       | 0.10      |      |      |
| ddd       | 0.05      |      |      |
| eee       | 0.08      |      |      |

**Note:**

1. All dimensions shown are in millimeters (mm) unless otherwise noted.
2. Dimensioning and Tolerancing per ANSI Y14.5M-1994.
3. This drawing conforms to the JEDEC Solid State Outline MO-220, Variation VKKD-4.
4. Recommended card reflow profile is per the JEDEC/IPC J-STD-020 specification for Small Body Components.

### 11.2 QFN32 PCB Land Pattern



Figure 11.2. QFN32 PCB Land Pattern Drawing

Table 11.2. QFN32 PCB Land Pattern Dimensions

| Dimension | Typ  |
|-----------|------|
| C1        | 5.00 |
| C2        | 5.00 |
| E         | 0.50 |
| X1        | 0.30 |
| Y1        | 0.80 |
| X2        | 3.80 |
| Y2        | 3.80 |

**Note:**

1. All dimensions shown are in millimeters (mm) unless otherwise noted.
2. This Land Pattern Design is based on the IPC-7351 guidelines.
3. All metal pads are to be non-solder mask defined (NSMD). Clearance between the solder mask and the metal pad is to be 60  $\mu\text{m}$  minimum, all the way around the pad.
4. A stainless steel, laser-cut and electro-polished stencil with trapezoidal walls should be used to assure good solder paste release.
5. The stencil thickness should be 0.125 mm (5 mils).
6. The ratio of stencil aperture to land pad size can be 1:1 for all perimeter pads.
7. A 2x2 array of 0.9 mm square openings on a 1.2 mm pitch should be used for the center ground pad.
8. A No-Clean, Type-3 solder paste is recommended.
9. The recommended card reflow profile is per the JEDEC/IPC J-STD-020 specification for Small Body Components.

### 11.3 QFN32 Package Marking



Figure 11.3. QFN32 Package Marking

The package marking consists of:

- P P P P P P P P P P – The part number designation.
- T T T T T T – A trace or manufacturing code. The first letter is the device revision.
- Y Y – The last 2 digits of the assembly year.
- W W – The 2-digit workweek when the device was assembled.

## 12. Revision History

### Revision 1.0

November, 2018

- [Table 2.1 Ordering Information on page 4](#) updated with revision B part numbers.
- [4.1 Electrical Characteristics](#) updated with final characterization data and production test limits.
- [4.1 Electrical Characteristics](#) sorted all table footnotes in order of appearance.
- Split VSS and VREGVSS pin definitions into separate entries in [Table 5.2 EFM32TG11B5xx in QFN80 Device Pinout on page 75](#), [Table 5.6 EFM32TG11B5xx in QFN64 Device Pinout on page 84](#), and [Table 5.12 EFM32TG11B5xx in QFN32 Device Pinout on page 96](#).
- Replaced VREGVSS name and description with VSS in [Table 5.7 EFM32TG11B3xx in QFN64 Device Pinout on page 86](#), [Table 5.8 EFM32TG11B1xx in QFN64 Device Pinout on page 88](#), and [Table 5.13 EFM32TG11B1xx in QFN32 Device Pinout on page 98](#).
- [Table 5.14 GPIO Functionality Table on page 100](#) sorted by GPIO name in alphabetical order.
- [Table 5.15 Alternate Functionality Overview on page 104](#) changed vertical white space.
- [Table 7.1 QFN80 Package Dimensions on page 130](#) corrected dimension 'b'.
- [Figure 7.2 QFN80 PCB Land Pattern Drawing on page 131](#) corrected dimension 'X1'.

### Revision 0.5

February, 2018

- [4.1 Electrical Characteristics](#) updated with latest characterization data and production test limits.
- Added [4.1.3 Thermal Characteristics](#).
- Added [4.2 Typical Performance Curves](#) section.
- Corrected OPA / VDAC output connections in [Figure 5.14 APOR Connection Diagram on page 115](#).

### Revision 0.1

May 1st, 2017

Initial release.



Silicon Labs

# Simplicity Studio™4



## Simplicity Studio

One-click access to MCU and wireless tools, documentation, software, source code libraries & more. Available for Windows, Mac and Linux!



IoT Portfolio  
[www.silabs.com/IoT](http://www.silabs.com/IoT)



SW/HW  
[www.silabs.com/simplicity](http://www.silabs.com/simplicity)



Quality  
[www.silabs.com/quality](http://www.silabs.com/quality)



Support and Community  
[community.silabs.com](http://community.silabs.com)

### Disclaimer

Silicon Labs intends to provide customers with the latest, accurate, and in-depth documentation of all peripherals and modules available for system and software implementers using or intending to use the Silicon Labs products. Characterization data, available modules and peripherals, memory sizes and memory addresses refer to each specific device, and "Typical" parameters provided can and do vary in different applications. Application examples described herein are for illustrative purposes only. Silicon Labs reserves the right to make changes without further notice and limitation to product information, specifications, and descriptions herein, and does not give warranties as to the accuracy or completeness of the included information. Silicon Labs shall have no liability for the consequences of use of the information supplied herein. This document does not imply or express copyright licenses granted hereunder to design or fabricate any integrated circuits. The products are not designed or authorized to be used within any Life Support System without the specific written consent of Silicon Labs. A "Life Support System" is any product or system intended to support or sustain life and/or health, which, if it fails, can be reasonably expected to result in significant personal injury or death. Silicon Labs products are not designed or authorized for military applications. Silicon Labs products shall under no circumstances be used in weapons of mass destruction including (but not limited to) nuclear, biological or chemical weapons, or missiles capable of delivering such weapons.

### Trademark Information

Silicon Laboratories Inc.®, Silicon Laboratories®, Silicon Labs®, SiLabs® and the Silicon Labs logo®, Bluegiga®, Bluegiga Logo®, Clockbuilder®, CMEMS®, DSPLL®, EFM®, EFM32®, EFR®, Ember®, Energy Micro, Energy Micro logo and combinations thereof, "the world's most energy friendly microcontrollers", Ember®, EZLink®, EZRadio®, EZRadioPRO®, Gecko®, ISOModem®, Micrium, Precision32®, ProSLIC®, Simplicity Studio®, SiPHY®, Telegesis, the Telegesis Logo®, USBXpress®, Zentri, Z-Wave, and others are trademarks or registered trademarks of Silicon Labs. ARM, CORTEX, Cortex-M3 and THUMB are trademarks or registered trademarks of ARM Holdings. Keil is a registered trademark of ARM Limited. All other products or brand names mentioned herein are trademarks of their respective holders.



Silicon Laboratories Inc.  
400 West Cesar Chavez  
Austin, TX 78701  
USA

<http://www.silabs.com>