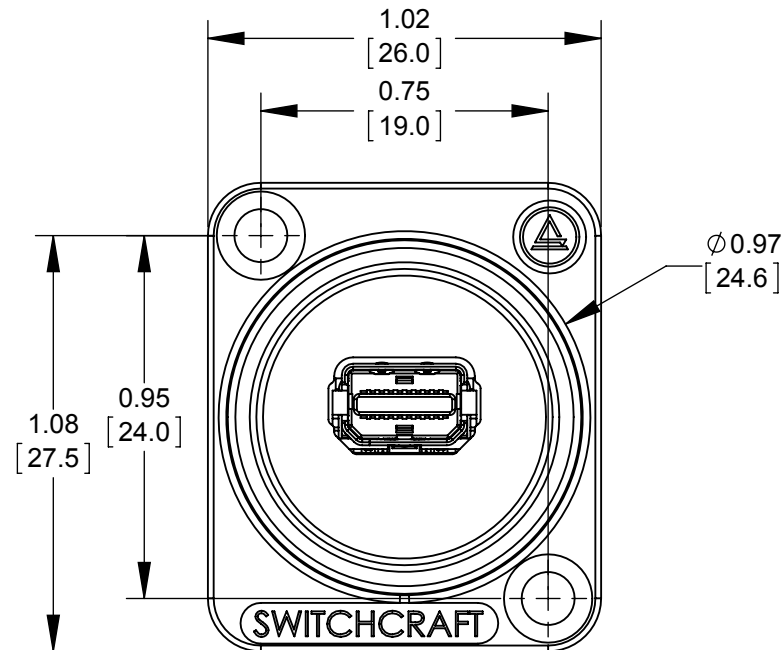
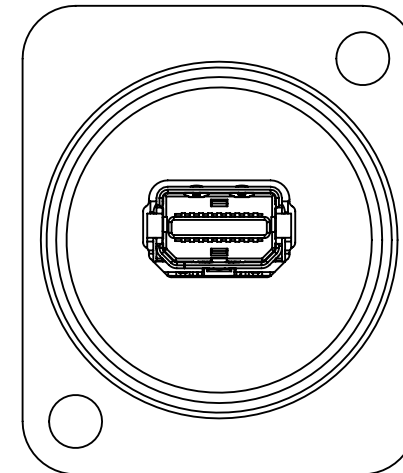
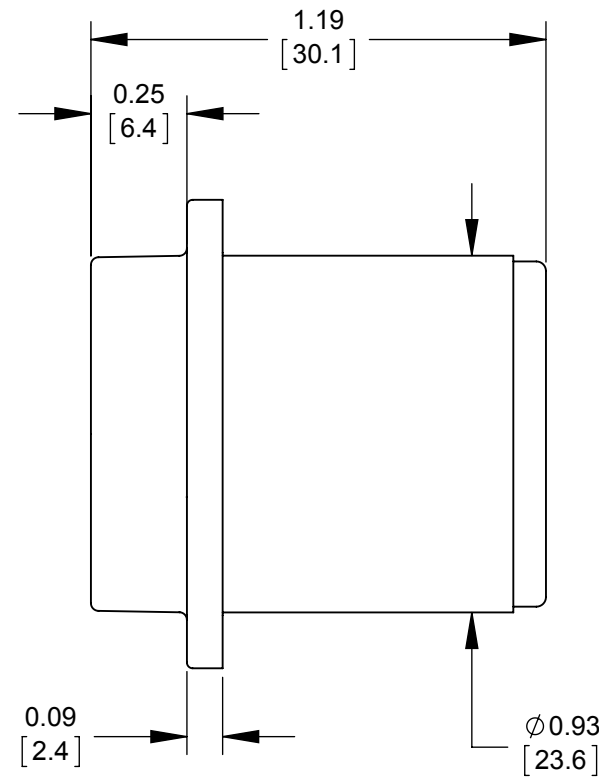


RECOMMENDED  
PANEL CUT-OUT



FRONT



BACK

**SPECIFICATIONS**

**1. CONNECTOR**

- **TYPE:** MINI DP
- **MECHANICAL CHARACTERISTICS:**
  - INSERTION FORCE: 9.9 lb
  - WITHDRAWAL FORCE 2.2- 8.8 lb
- **CONTACT PLATING:** GOLD

**2. OVERALL:**

- **MECHANICAL:**
  - **VIBRATION:** MIL-STD 202G METHOD 201A
- **ENVIRONMENTAL:**
  - **THERMAL SHOCK:** MIL-STD-202G METHOD 107G CONDITION A
  - **OPERATING TEMP:** 0 TO 65°C
- **HOUSING MATERIAL:** THERMOPLASTIC, BLACK.

**CUSTOMER DRAWING**

NOTES:  
1- ALL PARTS ARE RoHS COMPLIANT.

REV	ECO NUMBER	DATE	BY	APVD
0A	PRELIMINARY	4/11/16	NS	SRC
REVISIONS				

UNLESS OTHERWISE SPECIFIED

1. ALL DIMENSIONS IN INCHES [mm]
- TWO PLACE DECIMALS ±0.02 [0.5]
- THREE PLACE DECIMALS ±0.005 [0.13]

DO NOT SCALE DRAWING

THIS DRAWING DESCRIBES A DESIGN CONSIDERED PROPRIETARY IN NATURE, DEVELOPED AND MANUFACTURED BY SWITCHCRAFT INC. AND IS RELEASED ON A CONFIDENTIAL BASIS FOR IDENTIFICATION PURPOSES ONLY.

SIZE *	WIDTH *	MULT *	LBS/M *	TEMPER *
FINISH *			MATERIAL *	
SPEC No. *			SPEC No. *	
FIRST USED ON *		SCALE 1:1		
DATE DRAWN	BY	CHKD	APVD	
4/11/16	NS	NS	SRC	
		4/11/16	4/11/16	
NAME			PART No.	
EH SERIES			EHMDP2	
MINI DISPLAYPORT COUPLER			REV 0A	

**Switchcraft®**

SHEET 1 OF 1