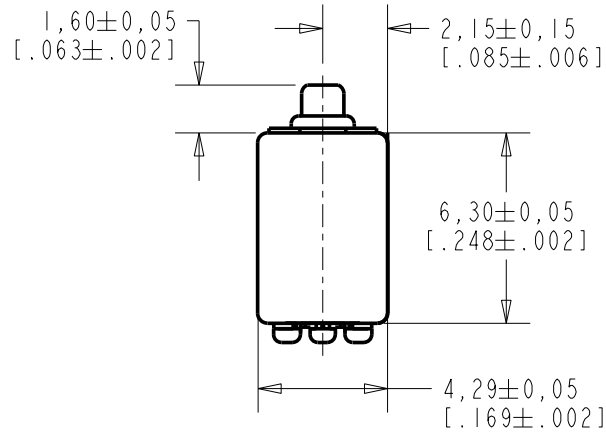
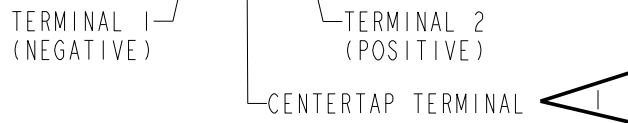
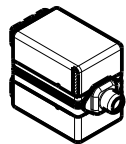
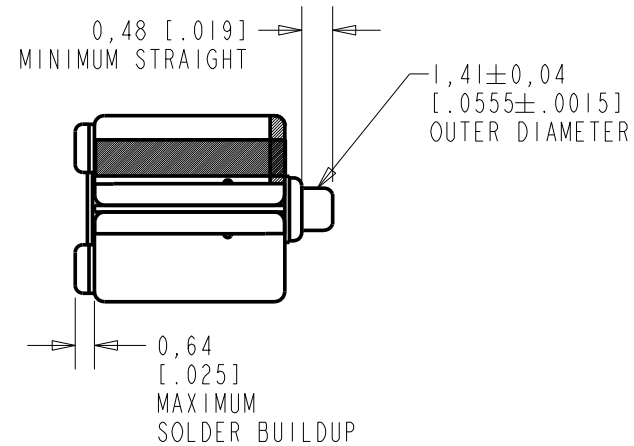
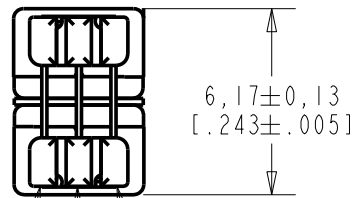


EJ-23018-000
SHT 1.1



NOTE:

 A POSITIVE GOING VOLTAGE AT TERMINAL 2, OR A NEGATIVE VOLTAGE AT TERMINAL 1, CAUSES A DECREASE IN PRESSURE AT THE SOUND OUTLET.



SCALE 2:1

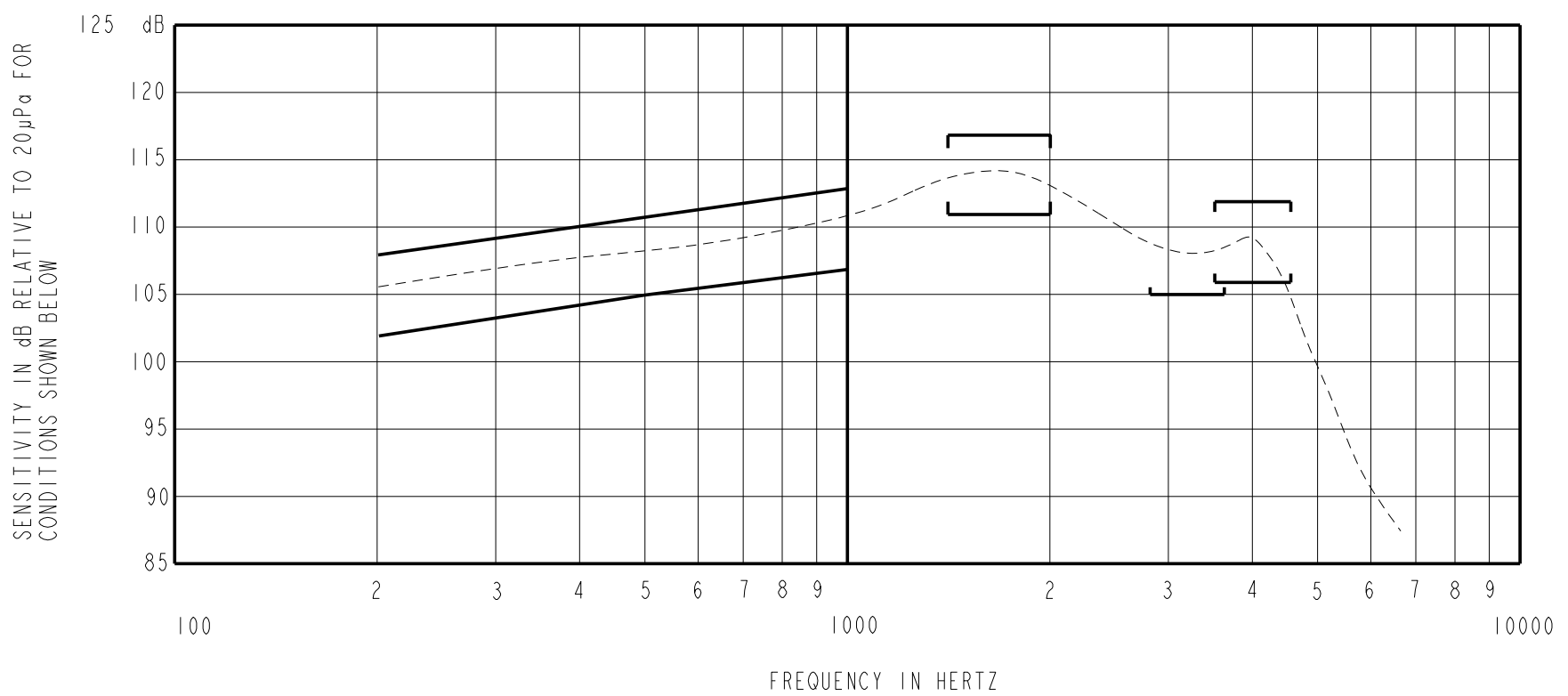
NOMINAL WEIGHT
.31 GRAM

DIMENSIONS IN MILLIMETERS [INCHES]

Revision	C.O. #	Implementation Date	RELEASE LEVEL	REVISION
C	C10108156	10-09-10	Active	C
B	C10106978	1-17-08		
A	C10103604	2-20-06		

KNOWLES ELECTRONICS
ITASCA, ILLINOIS U.S.A.

SCALE:	4:1	DR. BY	DATE
DO NOT SCALE DRAWING		CRG	2-19-06
TITLE:	RECEIVER	GJP	2-20-06
	OUTLINE DRAWING	APP. BY	DATE
		GJP	2-20-06
	EJ-23018-000		
	SHT 1.1		



NOTES:

1. MEASUREMENTS MADE USING 10m (.394") X 1mm (.039") ID TUBE CONNECTED TO A SIMULATED ANSI S3.7-1973 TYPE HA-3 COUPLER. (IEC 126).

2.

SENSITIVITY

<u>FREQUENCY</u>	<u>MIN.</u>	<u>MAX.</u>
200	102.0	108.0
500	105.0	111.0
1000	107.0	113.0
1400-2000	111.0	117.0
2800-3600	105.0	---
3500-4500	106.0	112.0

- 3. RESPONSE, IMPEDANCE, AND DISTORTION MEASUREMENTS MADE USING THE ELECTRICAL TEST CONDITIONS SHOWN BELOW.
- 4. ELECTRICAL SOURCE IMPEDANCE MUST BE GREATER THAN 20 TIMES 1KHz IMPEDANCE FOR TEST CONDITIONS SHOWN BELOW.
- 5. INDIVIDUAL SPECIFICATIONS.

PORT LOCATION	IMPEDANCE OHMS ±15%		DCR @20°C OHMS ±10%	DISTORTION		ELECTRICAL TEST CONDITIONS	
	1KHz	500Hz		MAX. %	FREQ Hz	AC mA RMS	DC mA
12S	380	210	98	5	800	1.4	0.0

Revision	C.O. #	Implementation Date	RELEASE LEVEL	REVISION
C	C10108156	10-09-10	Active	C
B	C10106978	1-17-08		
A	C10103604	2-20-06		

KNOWLES ELECTRONICS
ITASCA, ILLINOIS U.S.A.

WHEN TEST LIMITS ARE USED TO ESTABLISH INCOMING INSPECTION ACCEPTANCE/REJECTION CRITERIA, CORRELATION OF TEST EQUIPMENT WITH KNOWLES IS ALSO REQUIRED FOR ELIMINATION OF EQUIPMENT AND TEST METHOD VARIATION

TITLE: **RECEIVER**
PERFORMANCE SPECIFICATION

EJ-23018-000
SHT 2.1

DR. BY	DATE
CRG	2-19-06
CK. BY	DATE
GJP	2-20-06
APP. BY	DATE
GJP	2-20-06