

ZCU106 Evaluation Board

User Guide

UG1244 (v1.4) October 23, 2019



Revision History

The following table shows the revision history for this document.

Section	Revision Summary
10/23/2019 Version 1.4	
Table 2-1	Updated the part number for PS-side DDR4 SODIMM socket.
PS-Side: DDR4 SODIMM Socket	Corrected the part number and revised the description.
09/16/2019 Version 1.3	
General updates	<ul style="list-style-type: none"> • Corrected UTIL_3V3 net name. • Removed mention of USB cable being in kit. • Updated HDMI block diagram. • Deleted obsolete board ID encoding description.
11/08/2018 Version 1.2	
General updates	Revised PS-side DDR4 SODIMM bit width value throughout.
10/03/2018 Version 1.1	
Electrostatic Discharge Caution	Revised electrostatic discharge caution.
Figure 2-2	Revised to reflect current board revision.
Table 2-2	Revised to reflect current board revision.
PS-Side: DDR4 SODIMM Socket	Added reference to <i>Zynq UltraScale+ MPSoC Data Sheet: DC and AC Switching Characteristics (DS925)</i> .
PL-Side: DDR4 Component Memory	Added information on the memory components and a reference to <i>Zynq UltraScale+ MPSoC Data Sheet: DC and AC Switching Characteristics (DS925)</i> .
Table 3-32	Revised table note.
Table 3-35	Replaced pin AP8 with AE15.
Table 3-38	Revised pin names.
PCI Express Endpoint Connectivity	Revised third paragraph.
Appendix B, Xilinx Constraints File	Revised appendix title and removed constraints file listing.
Appendix C, Regulatory and Compliance Information	Added answer record information.
03/28/2018 Version 1.0	
	Initial Xilinx release.

Table of Contents

Revision History	2
Chapter 1: Introduction	
Overview	6
Additional Resources	6
Block Diagram	7
Board Features	8
Board Specifications	10
Dimensions	10
Environmental	11
Operating Voltage	11
Chapter 2: Board Setup and Configuration	
Board Component Location	12
Electrostatic Discharge Caution	12
Default Jumper and Switch Settings	16
Jumpers	17
Switches	19
Installing the ZCU106 Board in a PC Chassis	20
MPSoC Device Configuration	21
JTAG	21
Quad SPI	22
SD	22
Chapter 3: Board Component Descriptions	
Overview	23
Component Descriptions	23
Zynq UltraScale+ XCZU7EV MPSoC	23
PS-Side: DDR4 SODIMM Socket	28
PL-Side: DDR4 Component Memory	33
PSMIO	38
Quad SPI Flash Memory (MIO 0–12)	39
USB 3.0 Transceiver and USB 2.0 ULPI PHY	40
SD Card Interface	42
Programmable Logic JTAG Programming Options	45
EMIO Arm Trace Port	46
Clock Generation	48
GEM3 Ethernet (MIO 64-77)	54

10/100/1000 MHz Tri-Speed Ethernet PHY	54
Ethernet PHY Reset	55
CP2108 USB UART Interface	57
GPIO (MIO 13, 38)	60
I2C0 (MIO 14-15)	60
I2C1 (MIO 16-17)	65
UART0 (MIO 18-19)	67
UART1 (MIO 20-21)	67
GPIO (MIO 22-23)	68
CAN1 (MIO 24-25)	68
Platform Management Unit GPI (MIO 26)	69
DisplayPort DPAUX (MIO 27-30)	69
PMU GPO (MIO 32-37)	71
HDMI Video Output	71
HDMI Clock Recovery	76
SDI Video	77
AES3 Audio	79
SFP/SFP+ Connectors	80
SFP/SFP+ Clock Recovery	81
User PMOD GPIO Headers	83
Prototype Header	84
User I2C0 Receptacle	85
User I/O	86
Power and Status LEDs	89
GTH Transceivers	91
PCI Express Endpoint Connectivity	100
PS GTR Transceivers	102
FPGA Mezzanine Card Interface	104
FMC HPC0 Connector J5	104
FMC HPC1 Connector J4	110
Cooling Fan Connector	115
VADJ_FMC Power Rail	116
TI MSP430 System Controller	116
Switches	118
Board Power System	122
Monitoring Voltage and Current	126

Appendix A: VITA 57.1 FMC Connector Pinouts

Overview	127
----------	-----

Appendix B: Xilinx Constraints File

Overview	128
----------	-----

Appendix C: Regulatory and Compliance Information

Overview	129
CE Directives	129
CE Standards	129
Electromagnetic Compatibility	129
Safety	130
Markings	130

Appendix D: Additional Resources and Legal Notices

Xilinx Resources	131
Solution Centers	131
Documentation Navigator and Design Hubs	131
References	132
Please Read: Important Legal Notices	133

Introduction

Overview

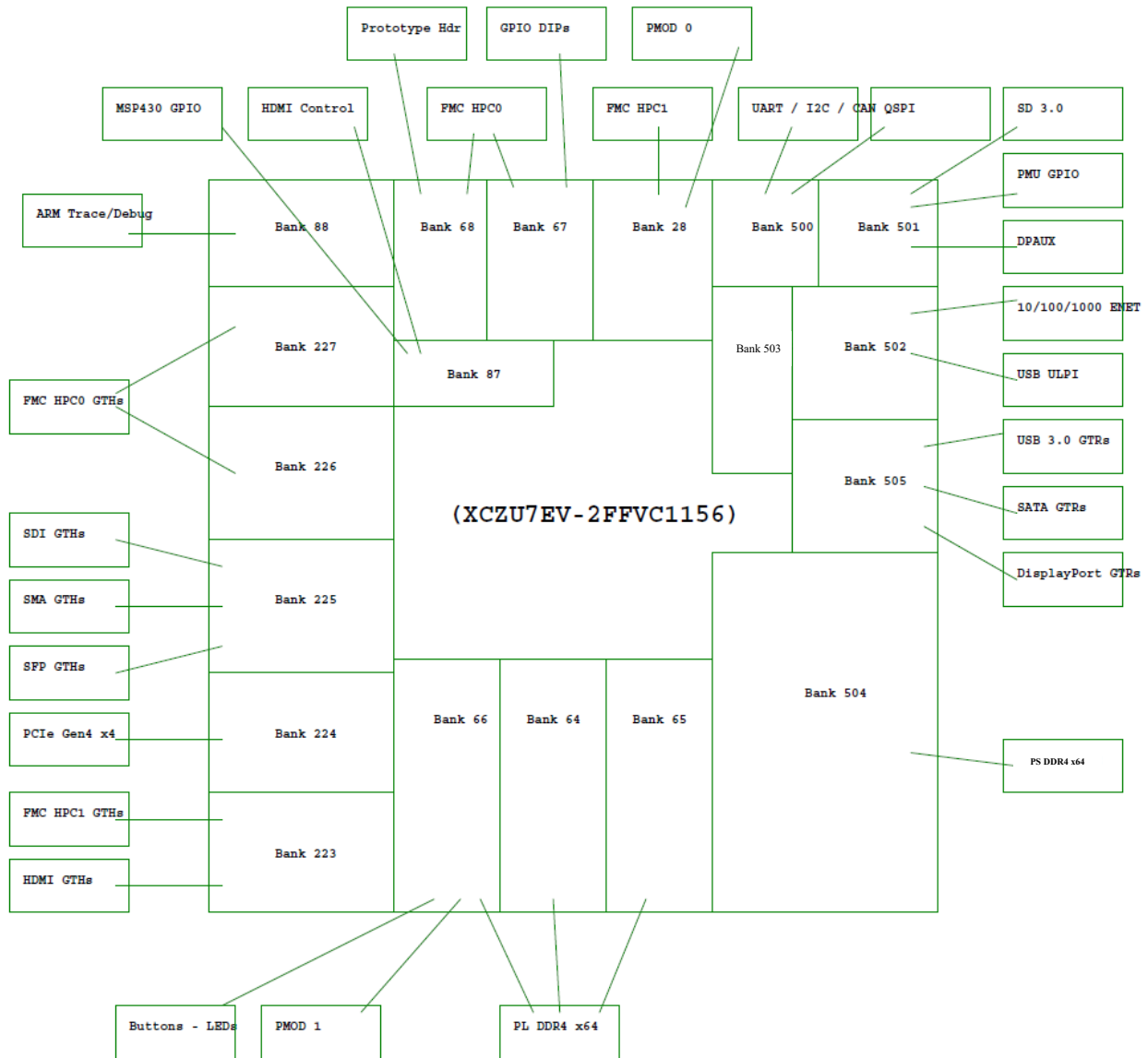
The ZCU106 is a general purpose evaluation board for rapid-prototyping based on the ZU7EV silicon part and package in the 16 nm FinFET Zynq[®] UltraScale+[™] MPSoC. The ZU7EV device integrates a quad core Arm[®] Cortex[™]-A53 processing system (PS) and a dual core Arm Cortex-R5F real-time processor, which provides application developers an unprecedented level of heterogeneous multiprocessing. The ZCU106 evaluation board provides a flexible prototyping platform with high-speed DDR4 memory interfaces, FMC expansion ports, multi-gigabit per second serial transceivers, video codec unit (VCU), several peripheral interfaces, and FPGA fabric for customized designs.

Additional Resources

See [Appendix D, Additional Resources and Legal Notices](#) for references to documents, files, and resources relevant to the ZCU106 evaluation board.

Block Diagram

The ZCU106 board block diagram is shown in [Figure 1-1](#).



X19000-110218

Figure 1-1: ZCU106 Evaluation Board Block Diagram

Board Features

The ZCU106 evaluation board features are listed here. Detailed information for each feature is provided in [Component Descriptions in Chapter 3](#).

- XCZU7EV-2, FFVC1156 package
- PL V_{CCINT} for range in data sheet
- Form factor for PCIe® Gen[1-3]x4 endpoint (PL GTH transceiver), Micro-ATX chassis footprint
- Configuration from Quad SPI
- Configuration from SD card
- Configuration over JTAG with platform cable USB header
- Configuration over JTAG with Arm 20-pin header
- Configuration over USB-to-JTAG bridge
- Clocks
 - USER_MGT_SI570
 - PL_74.25M, PL_125M, PL_300M
 - USER_SMA_MGT
 - GTR_DP, GTR_USB3, GTR_SATA
 - PS_REF_CLK
- PS DDR4 64-bit SODIMM
- PL DDR4 64-bit component (4x16-bit)
- PS-GTR assignment
 - DisplayPort (two GTRs)
 - USB3 (one GTR)
 - SATA (one GTR)
- PL GTH transceiver assignment (20 total)
 - High-definition multimedia interface (HDMI®) (three GTH transceivers)
 - FMC HPC1 DP (one GTH transceiver)
 - PCIe (four GTH transceivers)
 - SDI (one GTH transceiver)
 - SMA (one GTH transceiver)

- SFP+ (two GTH transceivers)
- FMC HPC0 DP (eight GTH transceivers)
- PL FMC HPC0 connectivity - full LA bus
- PL FMC HPC1 connectivity - partial LA bus
- PS MIO: dual Quad SPI
- PS MIO: two channels of quad-UART bridge
- PS MIO: CAN
- PS MIO: I2C shared across PS and PL
- PS MIO: SD
- PS MIO: DisplayPort
- PS MIO: system controller I/F
- PS MIO: Ethernet
- PS MIO: USB3
- PS-side user LED (one)
- PS-side user pushbutton (one)
- PL-side user LEDs (eight)
- PL-side user DIP switch (8-position)
- PL-side user pushbuttons (five)
- PL-side CPU reset pushbutton
- PL-side PMOD headers
- PL-side bank 0 PROG_B pushbutton
- Security - PSBATT button battery backup
- SYSMON (previously XADC), prototype header
- Operational switches (power on/off, PROG_B, boot mode DIP switch)
- Operational status LEDs (power status, INIT, DONE, PG, JTAG status, DDR power good)
- Power management

The ZCU106 provides designers a rapid prototyping platform using the XCZU7EV-2FFVC1156 device. The ZU7EV contains many PS hard block peripherals exposed through the multi-use I/O (MIO) interface and several FPGA programmable logic (PL), high-density (HD), and high-performance (HP) banks. [Table 1-1](#) lists a summary of the resources available within the ZU7EV. A feature set overview, description, and ordering information is provided in the *Zynq UltraScale+ MPSoC Data Sheet: Overview (DS891)* [Ref 1].

Table 1-1: Zynq UltraScale+ MPSoC ZU7EV Features and Resources

Feature	Resource Count
HD banks	Two banks, total of 48 pins
HP banks	Six banks, total of 312 pins
MIO banks	Three banks, total of 78 pins
PS-GTR transceivers (6 Gb/s)	Four PS-GTR transceivers
GTH transceivers (16.3 Gb/s)	20 GTH transceivers
VCU	One
PCIe hard block Gen1/2/3/4 x4	Two
Logic cells	504K
CLB flip-flops	460.8K
Distributed RAM	6.2 Mb
Total block RAM	11 Mb
UltraRAM	27 Mb
DSP slices	1728

Board Specifications

Dimensions

Height: 7.323 inch (18.60 cm)

Length: 9.5 inch (24.13 cm)

Thickness: 0.062 inch \pm 0.005 inch (0.157 cm \pm 0.0127 cm)

Note: A 3D model of this board is not available.



IMPORTANT: *The ZCU106 board height exceeds the standard 4.376 inch (11.15 cm) height of a PCI Express® card.*

See [ZCU106 board documentation](#) for XDC listing, schematics, layout files, board outline drawings, etc.

Environmental

Temperature

Operating: 0°C to +45°C

Storage: -25°C to +60°C

Humidity

10% to 90% non-condensing

Operating Voltage

+12 V_{DC}

Board Setup and Configuration

Board Component Location

Figure 2-1 shows the ZCU106 board component locations. Each numbered component shown in the figure is keyed to Table 2-1. Table 2-1 identifies the components, references the respective schematic (0381770) page numbers, and links to a detailed functional description of the components and board features in Chapter 3.



IMPORTANT: Figure 2-1 is for visual reference only and might not reflect the current revision of the board.



IMPORTANT: There could be multiple revisions of this board. The specific details concerning the differences between revisions are not captured in this document. This document is not intended to be a reference design guide and the information herein should not be used as such. Always refer to the schematic, layout, and XDC files of the specific ZCU106 version of interest for such details.

Electrostatic Discharge Caution



CAUTION! ESD can damage electronic components when they are improperly handled, and can result in total or intermittent failures. Always follow ESD-prevention procedures when removing and replacing components.

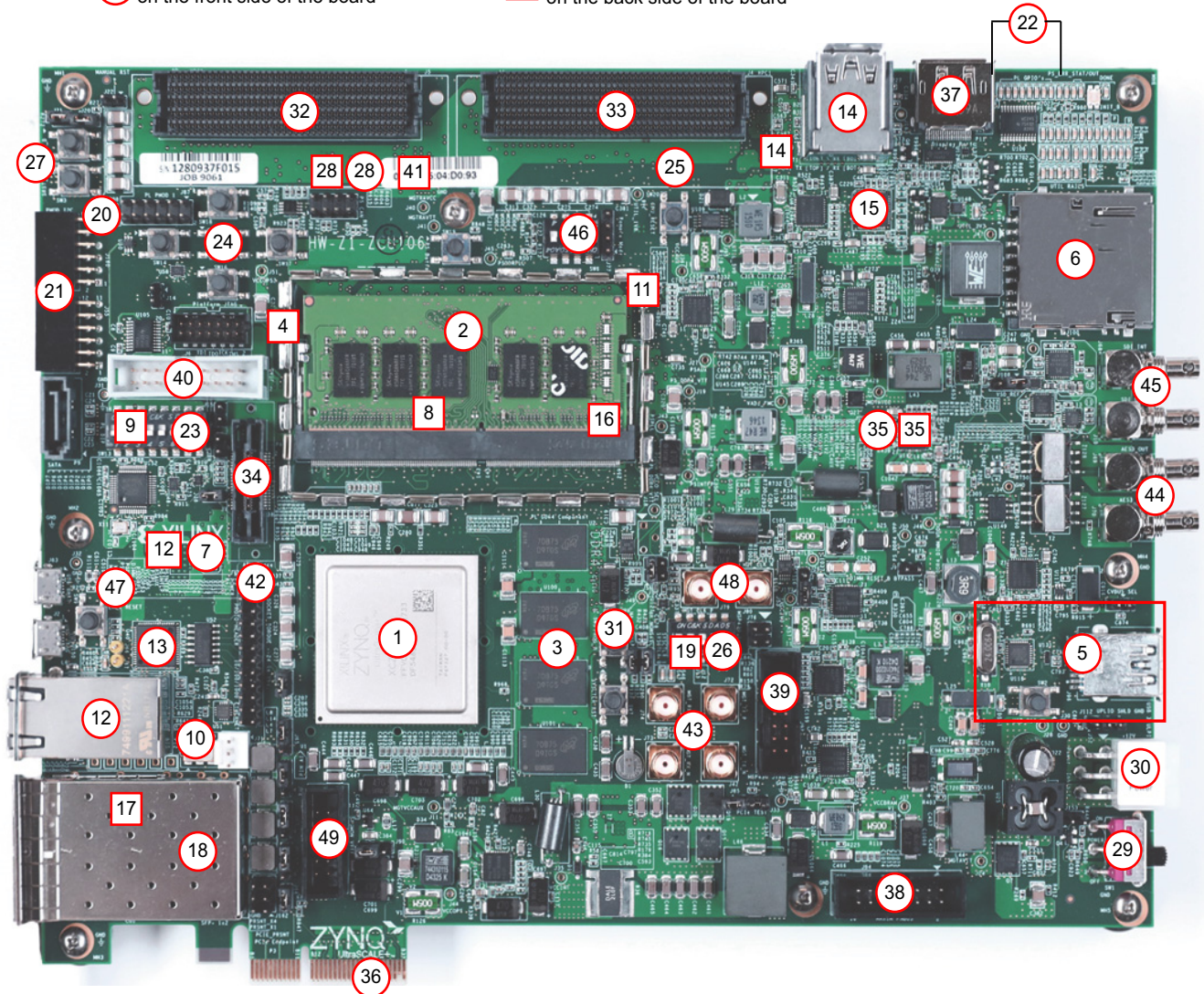
To prevent ESD damage:

- Use an ESD wrist or ankle strap and ensure that it makes skin contact. Connect the equipment end of the strap to an unpainted metal surface on the chassis.
- Avoid touching the adapter against your clothing. The wrist strap protects components from ESD on the body only.
- Handle the adapter by its bracket or edges only. Avoid touching the printed circuit board or the connectors.
- Put the adapter down only on an antistatic surface such as the bag supplied in your kit.

- If you are returning the adapter to Xilinx Product Support, place it back in its antistatic bag immediately.

⓪ Round callout references a component on the front side of the board

⓪⓪ Square callout references a component on the back side of the board



X19001-022218

Figure 2-1: ZCU106 Evaluation Board Components

Table 2-1: ZCU106 Board Component Locations

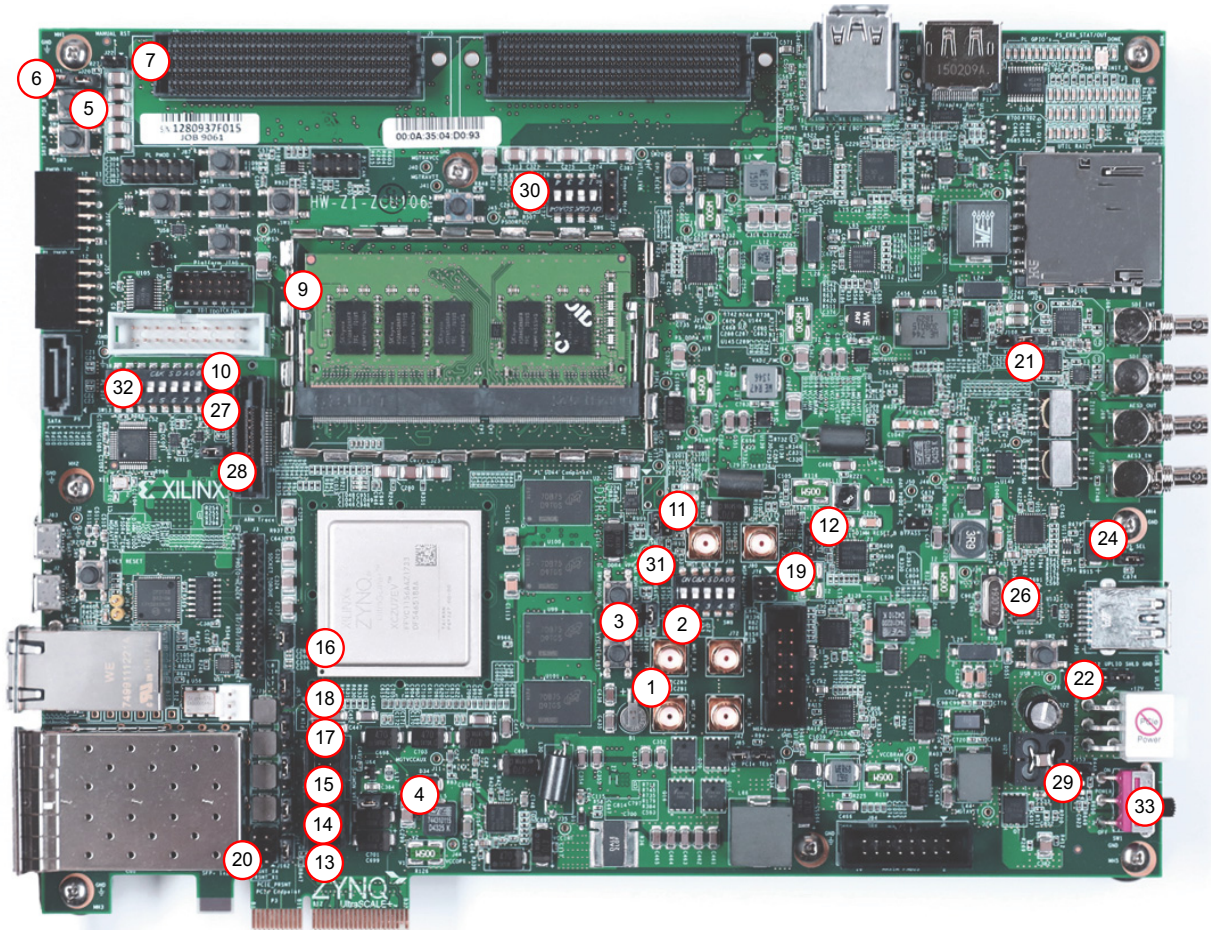
Callout Number	Ref. Des.	Feature ([B] = bottom of board)	Notes	Schematic Page
1	U1	Zynq UltraScale+ XCZU7EV MPSoC, GTH Transceivers, PS GTR Transceivers	XCZU7EV-2FFVC1156	
2	J1	PS-Side: DDR4 SODIMM Socket, with DDR4 SODIMM	LOTES ADDR0067-P001A, Micron MTA4ATF51264HZ-2G6E1	24
3	U2, U99-U101	PL-Side: DDR4 Component Memory, (4 Gb)	Micron MT40A256M16GE-075E	26-29
4	U119, U120	Quad SPI Flash Memory (MIO 0–12) [B]	Micron MT25QU512ABB8ESF-0SIT	53
5	U116, J96	USB 3.0 Transceiver and USB 2.0 ULPI PHY (USB 3.0 A connector)	SMSC USB3320-EZK, KYCON KMMX-AB10-SMT1SB30TR	58
6	J100	SD Card Interface	Hirose DMIAA-SF-PET(21)	54
7	U152, J2	Programmable Logic JTAG Programming Options	FTDI FT232HL-REEL, Hirose ZX62D-AB-5P8	22
8	U69	SI5341B 10 Independent Output Any-Frequency Clock Generator [B]	Silicon Labs SI5341B-B05071-GM	44
9	U42	Programmable User Clock [B]	Silicon Labs SI570BAB001614DG	45
10	U56	Programmable User MGT Clock, Cooling Fan Connector	Silicon Labs SI570BAB000544DG	45
11	U20	SFP/SFP+ Clock Recovery [B]	Silicon Labs SI5328B-C-GMR	46
12	U98, P12	GEM3 Ethernet (MIO 64-77), 10/100/1000 MHz Tri-Speed Ethernet PHY	TI DP83867IRPAP, Halo HFJ11-1G01E-L12RL	59
13	U40, J83	CP2108 USB UART Interface	Silicon Labs CP2108-B02-GM, Hirose ZX62D-AB-5P8	47
14	U94, P7	HDMI Video Output [B]	TI SN65DP159RGZ, TE Connectivity 1888811-1	40
15	U19, P7	HDMI Video Output	TI TMDS181IRGZT, TE Connectivity 1888811-1	41
16	U60, U61, U97	I2C0 (MIO 14-15), I2C0 bus switch and two expanders [B]	TI PCA9544ARGYR, Two each TI TCA6416APWR	64
17	U34, U135	I2C1 (MIO 16-17), I2C1 bus switches [B]	Two each TI TCA9548APWR	65
18	P1, P2	SFP/SFP+ Connectors	Molex 74441-0010	38-39
19	U41	TI MSP430 System Controller [B]	TI MSP430F5342	43
20	J87	User PMOD GPIO Headers	SULLINS PBC36DAAN	62
21	J160, J55	User PMOD GPIO Headers	SULLINS PPPC062LJBN-RC	56
22	DS37-DS44	User I/O, Power and Status LEDs	GPIO LEDs, GREEN 0603	60
23	SW13	User I/O DIP switch	C&K SDA08H1SBD	60

Table 2-1: ZCU106 Board Component Locations (Cont'd)

Callout Number	Ref. Des.	Feature ([B] = bottom of board)	Notes	Schematic Page
24	SW14-SW18	User I/O pushbuttons	E-switch TL3301EP100QG placed in N,S,W,E,C pattern	60
25	SW20	User I/O reset pushbutton switch	E-switch TL3301EP100QG	60
26	SW8	Switches system controller DIP	5-pole C&K SDA05H1SBD	43
27	SW3, SW4	System Reset Pushbuttons	E-switch TL3301EP100QG	12
28	U122, J98	CAN1 (MIO 24-25) [B], 2X4 male header	TI SN65HVD232, SULLINS PBC36DAAN	57
29	SW1	Power On/Off Slide Switch	C&K 1201M2S3AQE2	66
30	J52	Power On/Off Slide Switch	MOLEX 39-30-1060	66
31	SW5	Program_B Pushbutton	E-switch TL3301EP100QG	12
32	J5	FPGA Mezzanine Card Interface, FMC HPC0 Connector J5	Samtec ASP_134486_01	30-33
33	J4	FPGA Mezzanine Card Interface, FMC HPC1 Connector J4	Samtec ASP_134486_01	34-37
34	P6	EMIO Arm Trace Port	MICTOR 2-5767004-2	61
35	–	Board Power System	Maxim regulators	67-92
36	P3	PCI Express Endpoint Connectivity	FCI 10061913-101CLF	48
37	P11	DisplayPort DPAUX (MIO 27-30)	MOLEX 0472720001	51-52
38	J84	Monitoring Voltage and Current	ASSMANN AWHW16G-0202-T-R	64
39	J92	Programmable Logic JTAG Programming Options	TYCO 5103308-2	43
40	J6	Programmable Logic JTAG Programming Options	ASSMANN AWHW20G-0202-T-R	23
41	U108	HDMI Clock Recovery [B]	Silicon Labs SI5324C-C-GMR	42
42	J3	Prototype Header	SULLINS PBC36DAAN	63
43	J74/J73, J72/J42	SMA, MGTH interface RX, TX SMA connectors	ROSENBERGER 32K10K-400L5	45
44	J69, J70	AES3 Audio	Samtec HDBNC-J-P-GN-RA-BH2	50
45	J10, J68	SDI Video	Samtec HDBNC-J-P-GN-RA-BH2	49
46	SW6	Switches MPSoC PS mode DIP	4-pole C&K SDA04H1SBD	12
47	SW9	Ethernet PHY Reset	E-switch TL3301EP100QG	59
48	J79/J80	User SMA MGT Clock	ROSENBERGER 32K10K-400L5	45
49	J93	SYSMON 2X6 vertical male pin header	SULLINS PBC36DAAN	3

Default Jumper and Switch Settings

Figure 2-2 shows the ZCU106 board jumper header and DIP switch locations. Each numbered component shown in the figure is keyed to Table 2-2 or Table 2-3 (for default switch settings). Both tables reference the respective schematic (0381770) page numbers.



X19002-083118

Figure 2-2: Board Jumper Header and DIP Switch Locations

Jumpers

Table 2-2: Default Jumper Settings

Number	Ref. Des.	Function	Default	Schematic Page
1	J85	POR_OVERRIDE <ul style="list-style-type: none"> • 1-2: Enable • 2-3: Disable 	2-3	3
2	J12	SYSMON I2C address <ul style="list-style-type: none"> • Open: SYSMON_VP_R floating • 1-2: SYSMON_VP_P pulled down 	1-2	3
3	J13	SYSMON I2C address <ul style="list-style-type: none"> • Open: SYSMON_VN_R floating • 1-2: SYSMON_VP_N pulled down 	1-2	3
4	J90	SYSMON VREFP <ul style="list-style-type: none"> • 1-2: 1.25V VREFP connected to FPGA • 2-3: VREFP connected to GND 	1-2	3
5	J20	Reset sequencer PS_POR_B <ul style="list-style-type: none"> • Open: Sequencer does not control PS_POR_B • 1-2: Sequencer can control PS_POR_B 	1-2	12
6	J21	Reset sequencer PS_SRST_B <ul style="list-style-type: none"> • Open: Sequencer does not control PS_SRST_B • 1-2: Sequencer can control PS_SRST_B 	1-2	12
7	J22	Reset sequencer inhibit <ul style="list-style-type: none"> • Open: Sequencer normal operation • 1-2: Sequencer inhibit (resets stay asserted) 	Open	12
9	J14	Arm® debug VTREF <ul style="list-style-type: none"> • Open: VTREF floating • 1-2: VTREF = VCCOPS3 (1.8V) 	1-2	22
10	J15	Arm debug VSUPPLY <ul style="list-style-type: none"> • Open: VSUPPLY floating • 1-2: VSUPPLY = VCCOPS3 (1.8V) 	Open	22
11	J56	VCCO_PSDDR_504 select <ul style="list-style-type: none"> • 1-2: Switched DDR4 VDDQ • 3-4: Direct DDR4 VDDQ 	1-2	24
12	J159	DDR4 reset suspend enable <ul style="list-style-type: none"> • 1-2: Suspend disabled (gate bypass) • 2-3: Suspend enabled 	1-2	24
13	J16	SFP0 enable	1-2	37

Table 2-2: Default Jumper Settings (Cont'd)

Number	Ref. Des.	Function	Default	Schematic Page
14	J62	SFP0 TX bandwidth <ul style="list-style-type: none"> • 1-2: Full bandwidth • 2-3: Low bandwidth 	2-3	37
15	J63	SFP0 TX bandwidth <ul style="list-style-type: none"> • 1-2: Full bandwidth • 2-3: Low bandwidth 	2-3	37
16	J17	SFP1 enable	1-2	38
17	J64	SFP1 TX bandwidth <ul style="list-style-type: none"> • 1-2: Full bandwidth • 2-3: Low bandwidth 	2-3	38
18	J65	SFP1 TX bandwidth <ul style="list-style-type: none"> • 1-2: Full bandwidth • 2-3: Low bandwidth 	2-3	38
19	J76	MSP430 programming <ul style="list-style-type: none"> • 1-2: Reset to GPIO • 3-4: Test to GPIO 	Open	42
20	J162	PCIe PRSNT select <ul style="list-style-type: none"> • 1-2: x1 • 3-4: x4 • 5-6: GND • Open: card defined 	Open	47
21	J108	SD level shifter internal reference <ul style="list-style-type: none"> • 1-2: 3.3V reference • 2-3: GND 	1-2	53
22	J110	CVBUS select <ul style="list-style-type: none"> • Jumper off: device mode • Jumper on: host mode 	Open	57
24	J112	Shield GND select <ul style="list-style-type: none"> • 1-2: Capacitor • 2-3: GND 	1-2	57
26	J113	Device/host or OTG select <ul style="list-style-type: none"> • 1-2: Device or host • 2-3: OTG 	1-2	57
27	J88	Arm trace VTREF <ul style="list-style-type: none"> • 1-2: 3.3V • Open: 0V 	Open	60

Table 2-2: Default Jumper Settings (Cont'd)

Number	Ref. Des.	Function	Default	Schematic Page
28	J38	Arm trace power <ul style="list-style-type: none"> • 1-2: 3.3V • Open: 0V 	1-2	60
29	J153	Power inhibit <ul style="list-style-type: none"> • Open: Rails power on normally • 1-2: All rails (except UTIL) OFF 	Open	65

Switches

Table 2-3: Default Switch Settings

Number	Ref. Des.	Function	Default	Schematic Page
30	SW6 Note: For this DIP switch, in relation to the arrow, moving the switch toward the label ON is a 0. DIP switch labels 1 through 4 are equivalent to mode pins 0 through 3.	Switch PS_MODE select (ON = pull down, OFF = pull up)		12
		1: PS_MODE0	On	
		2: PS_MODE1	On	
		3: PS_MODE2	On	
		4: PS_MODE3	On	
31	SW8 Note: For this DIP switch, in relation to the arrow, moving the switch toward the label ON is a 0. 1 through 5 are tied to MSP430 U41 GPIO[1:5].	MSP430 GPIO		42
		1: SW0	Off	
		2: SW1	Off	
		3: SW2	Off	
		4: SW3	Off	
5: SW4	Off			
32	SW13	GPIO	All Off	59
33	SW1	Main power switch	Off	65

Installing the ZCU106 Board in a PC Chassis

Installation of the ZCU106 board inside a computer chassis is required when developing or testing PCI Express® functionality. When the ZCU106 board is installed in the PCIe® slot, power is provided from the ATX power supply 4-pin peripheral connector through the ATX adapter cable (Figure 2-3), which is plugged into J52 on the ZCU106 board. The Xilinx® part number for this cable is 2600304. See [Ref 25] for ordering information.



Figure 2-3: ATX Power Supply Adapter Cable

To install the ZCU106 board in a PC chassis:

1. On the ZCU106 board, remove the seven screws retaining the six rubber feet with their standoffs, and the PCIe bracket. Reinstall the PCIe bracket using two of the previously removed screws.
2. Power down the host computer and remove the power cord from the PC.
3. Open the PC chassis following the instructions provided with the PC.
4. Select a vacant PCIe expansion slot and remove the expansion cover (at the back of the chassis) by removing the screws on the top and bottom of the cover.



IMPORTANT: *The ZCU106 board height exceeds the standard PCIe board dimension, so the PC chassis top cover should remain off while using the ZCU106.*

5. Plug the ZCU106 board into an open PCIe expansion slot.
6. Install the top mounting bracket screw into the PC expansion cover retainer bracket to secure the ZCU106 board in its slot.
7. Connect the ATX power supply to the ZCU106 board using the ATX power supply adapter cable shown in Figure 2-3.
 - a. Plug the 6-pin 2 x 3 Molex connector on the adapter cable into J52 on the ZCU106 board.
 - b. Plug the 4-pin 1 x 4 peripheral power connector from the ATX power supply into the 4-pin adapter cable connector.



CAUTION! Do NOT plug a PC ATX power supply 6-pin connector into the ZCU106 board power connector J52. The ATX 6-pin connector has a different pin out than J52. Connecting an ATX 6-pin connector into J52 damages the ZCU106 evaluation board and voids the board warranty.

- Slide the ZCU106 board power switch SW1 to the ON position. The PC can now be powered on.

MPSoC Device Configuration

Zynq UltraScale+ XCZU7EV MPSoC devices use a multi-stage boot process as described in the “Boot and Configuration” chapter of the *Zynq UltraScale+ MPSoC Technical Reference Manual* (UG1085) [Ref 3]. Switch SW6 configuration option settings are listed in Table 2-4.

Table 2-4: Switch SW6 Configuration Option Settings

Boot Mode	Mode Pins [3:0]	Mode SW6 [4:1]
JTAG	0000	ON,ON,ON,ON
QSPI32	0010 ⁽¹⁾	ON,ON,OFF,ON
SD	1110	OFF,OFF,OFF,ON

Notes:

- Default switch setting.
- For DIP SW6, in relation to the arrow, moving the switch toward the label ON is a 0. DIP switch labels 1 through 4 are equivalent to mode pins 0 through 3.

JTAG

Vivado® Design Suite, SDK, or third-party tools can establish a JTAG connection to the Zynq UltraScale+ MPSoC device through one of these provided JTAG interfaces:

- Xilinx platform USB or cable PC4 connector (J8)
- Arm 20-pin JTAG connector (J6)
- FTDI FT232HL USB-to-JTAG bridge U152 with micro-USB connector (J2)

Quad SPI

To boot from the dual Quad SPI nonvolatile configuration memory:

1. Store a valid Zynq UltraScale+ MPSoC boot image in the Quad SPI flash devices connected to the MIO Quad SPI interface.
2. Set the boot mode pins SW6 [3:0] PS_MODE[3:0] as indicated in [Table 2-4](#) for Quad SPI32.
3. Either power-cycle or press the power-on reset (POR) pushbutton. SW6 is callout 46 in [Figure 2-1](#).

SD

To boot from an SD card:

1. Store a valid Zynq UltraScale+ MPSoC boot image file on to an SD card (plugged into SD socket J100) connected to the MIO SD interface.
2. Set the boot mode pins SW6 [3:0] PS_MODE[3:0] as indicated in [Table 2-4](#) for SD.
3. Either power-cycle or press the power-on reset (POR) pushbutton. SW6 is callout 46 in [Figure 2-1](#).

See the *Zynq UltraScale+ MPSoC Technical Reference Manual* (UG1085) [\[Ref 3\]](#) for more information about Zynq UltraScale+ MPSoC configuration options.

Board Component Descriptions

Overview

This chapter provides a detailed functional description of the board's components and features. [Table 2-1](#) identifies the components, references the respective schematic page numbers, and links to the corresponding detailed functional description in this chapter. Component locations are shown in [Table 2-1](#).

Component Descriptions

Zynq UltraScale+ XCZU7EV MPSoC

[[Figure 2-1](#), callout 1]

The ZCU106 board is populated with the Zynq UltraScale+ XCZU7EV-2FFVC1156 MPSoC, which combines a powerful processing system (PS) and programmable logic (PL) in the same device. The PS in a Zynq UltraScale+ MPSoC features the Arm[®] flagship Cortex[®]-A53 64-bit quad-core processor and Cortex-R5F dual-core real-time processor.

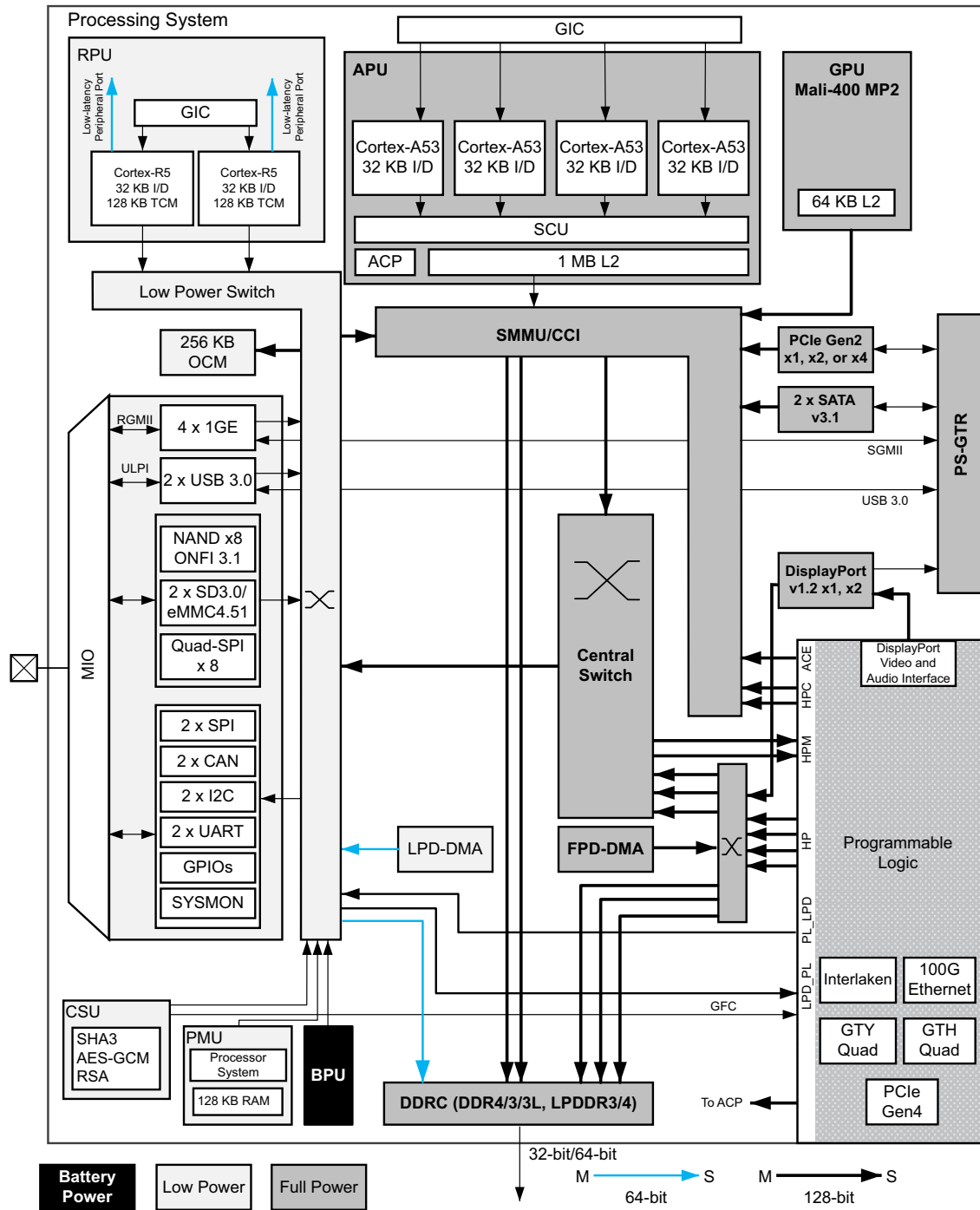
Production ZCU106 evaluation boards will ship with -2 speed grade devices. Support of multiple speed grades requires voltage adjustments.

The V_{CCINT} supplies are user adjustable via the PMBus with the voltage ranges listed in [Table 3-1](#) to support multiple Zynq UltraScale+ MPSoC speed grades.

Table 3-1: Recommended Operating Conditions

Symbol	Description	Min	Typ	Max	Units
Processing System					
$V_{CC_PSINTFP}$	PS full-power domain supply voltage.	0.808	0.850	0.892	V
	For -1LI and -2LE ($V_{CCINT} = 0.72V$) devices: PS full-power domain supply voltage.	0.808	0.850	0.892	V
	For -3E devices: PS full-power domain supply voltage.	0.873	0.900	0.927	V
$V_{CC_PSINTLP}$	PS low-power domain supply voltage.	0.808	0.850	0.892	V
	For -1LI and -2LE ($V_{CCINT} = 0.72V$) devices: PS low-power domain supply voltage.	0.808	0.850	0.892	V
	For -3E devices: PS low-power domain supply voltage.	0.873	0.900	0.927	V
Programmable Logic					
V_{CCINT}	PL internal supply voltage.	0.825	0.850	0.876	V
	For -1LI and -2LE ($V_{CCINT} = 0.72V$) devices: PL internal supply voltage.	0.698	0.720	0.742	V
	For -3E devices: PL internal supply voltage.	0.873	0.900	0.927	V

The top-level block diagram is shown in Figure 3-1.



X16387-050517

Figure 3-1: Top-Level Block Diagram

The Zynq UltraScale+ MPSoC PS block has three major processing units:

- Cortex-A53 application processing unit (APU)-Arm v8 architecture-based 64-bit quad-core multiprocessing CPU.
- Cortex-R5F real-time processing unit (RPU)-Arm v7 architecture-based 32-bit dual real-time processing unit with dedicated tightly coupled memory (TCM).
- Mali-400 graphics processing unit (GPU)-graphics processing unit with pixel and geometry processor and 64 KB L2 cache.

The Zynq UltraScale+ MPSoC PS has four high-speed serial I/O (HSSIO) interfaces supporting these protocols:

- Integrated block for PCI Express® interface-PCIe™ base specification version 2.1 compliant.
- SATA 3.1 specification compliant interface.
- DisplayPort interface-implements a DisplayPort source-only interface with video resolution up to 4K x 2K-30 (300 MHz pixel rate).
- USB 3.0 interface-compliant to USB 3.0 specification implementing a 5 Gb/s line rate.
- Serial GMII interface-supports a 1 Gb/s SGMII interface.

The PS and PL can be coupled with multiple interfaces and other signals to effectively integrate user-created hardware accelerators and other functions in the PL logic that are accessible to the processors. They can also access memory resources in the PS. The PS I/O peripherals, including the static/flash memory interfaces share a multiplexed I/O (MIO) of up to 78 MIO pins. Zynq UltraScale+ MPSoCs can also use the I/O in the PL domain for many of the PS I/O peripherals. This is done through an extended multiplexed I/O interface (EMIO) and boots at power-up or reset.

For additional information on Zynq UltraScale+ MPSoC devices, see the *Zynq UltraScale+ MPSoC Data Sheet: Overview* (DS891) [Ref 1]. See the *Zynq UltraScale+ MPSoC Technical Reference Manual* (UG1085) [Ref 3] for more information about Zynq UltraScale+ MPSoC configuration options.

Encryption Key Battery Backup Circuit

The XCZU7EV MPSoC U1 implements bit stream encryption key technology. The ZCU106 board provides the encryption key backup battery circuit shown in Figure 3-2.

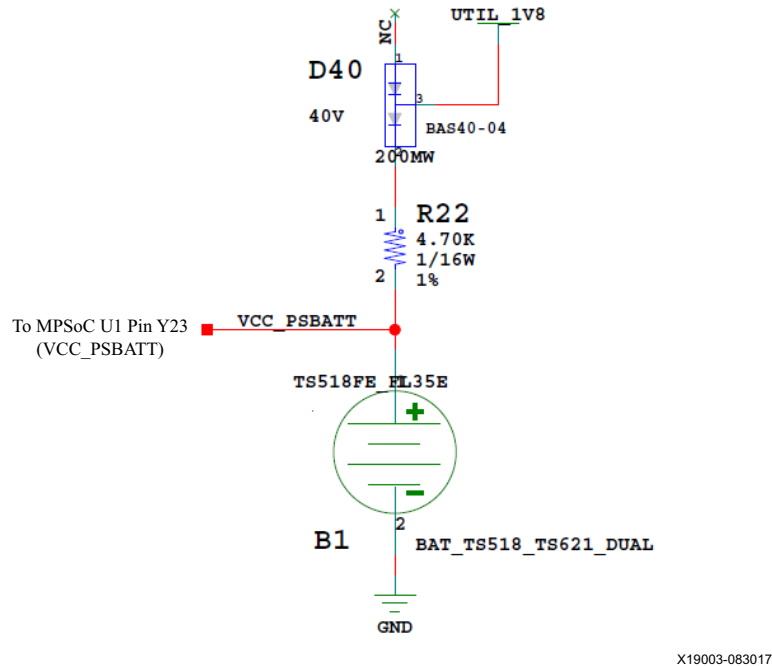


Figure 3-2: Encryption Key Backup Circuit

The Seiko TS518FE rechargeable 1.5V lithium button-type battery B1 is soldered to the board with the positive output connected to the XCZU7EV MPSoC U1 V_{CC_PSBATT} pin Y23. The battery supply current I_{BATT} specification is 150 nA maximum when board power is off. B1 is charged from the UTIL_1V8 1.8V rail through a series diode with a typical forward voltage drop of 0.38V and 4.7 Ω K current limit resistor. The nominal charging voltage is 1.42V.

On MPSoC devices, the encryption key battery is also used for the battery-backed RAM and the real-time clock (RTC) supply voltage. See the *Zynq UltraScale+ MPSoC Data Sheet: DC and AC Switching Characteristics* (DS925) [Ref 2].

I/O Voltage Rails

The XCZU7EV MPSoC PL I/O bank voltages on the ZCU106 board are listed in [Figure 3-2](#).

Table 3-2: I/O Voltage Rails

XCZU7EV	Power Net Name	Voltage	Connected To
PL Bank 28	V _{ADJ_FMC} ⁽¹⁾	1.8V	FMC_HPC1 LA BUS, PMOD0
PL Bank 64	V _{CC1V2}	1.2V	DDR4 DQ[0:31]
PL Bank 65	V _{CC1V2}	1.2V	DDR4 DQ[32:63]
PL Bank 66	V _{CC1V2}	1.2V	DDR4 ADDR/CTRL, GPIO LED, GPIO SW, PMOD1
PL Bank 67	V _{ADJ_FMC} ⁽¹⁾	1.8V	FMC_HPC0 LA BUS, GPIO DIP SW
PL Bank 68	V _{ADJ_FMC} ⁽¹⁾	1.8V	FMC_HPC0 LA BUS, SFP REC CLOCK
PL Bank 87	V _{CC3V3}	3.3V	HDMI, MSP430 GPIO
PL Bank 88	V _{CC3V3}	3.3V	TRACE DEBUG CONNECTOR
PS Bank 500	V _{CCOPS}	1.8V	CAN, UART0/1, I2C0/1, QSPI LWR/UPR
PS Bank 501	V _{CCOPS}	1.8V	SDIO, PMU_GPO[0:5], DP
PS Bank 502	V _{CCOPS}	1.8V	ENET, USB_DATA[0:7], USB_CTRL
PS Bank 503	V _{CCOPS3}	1.8V	PS CONFIG I/F
PS Bank 504	V _{CCO_PSDDR_504}	1.2V	DDR4 SODIMM I/F

Notes:

1. The ZCU106 board is shipped with V_{ADJ_FMC} set to 1.8V by the MSP430 system controller.

PS-Side: DDR4 SODIMM Socket

[[Figure 2-1](#), callout 2]

The PS-side memory is wired to the Zynq UltraScale+ DDRC bank 504 hard memory controller. The PS-side memory interface supports a 260-pin DDR4 SODIMM socket J1. The ZCU106 is shipped with a DDR4 SODIMM installed:

- Manufacturer: Micron
- Part Number: Previous P/N MTA8ATF51264HZ- 2G6B1 (now EOL); New P/N MTA4ATF51264HZ-2G6E1 (in production)
- Description:
 - 4 GB DDR4 SODIMM, 260-pin
 - Single rank, x16 b components
 - 512 Mb x 64-bit
 - Up to DDR-2666

The ZCU106 XCZU7EV FFVC MPSoC PS DDR interface performance is documented in the *Zynq UltraScale+ MPSoC Data Sheet: DC and AC Switching Characteristics (DS925)* [Ref 2].

The ZCU106 supports full power-off suspend mode where only the system controller and the PS-side DDR4 SODIMM memory are powered. The DDR4 memory is kept in a self-refresh state and has its reset input controlled by the system controller such that the memory is not reset when waking-up from suspend mode. DDR4 SODIMM socket J1 connections are listed in Table 3-3.

Table 3-3: DDR4 SODIMM Socket J1 Connections to FPGA PS DDR Bank 504

XCZU7EV (U1) Pin	Net Name	DDR4 SODIMM Memory J1	
		Pin Number	Pin Name
AN34	DDR4_SODIMM_A0	144	A0
AM34	DDR4_SODIMM_A1	133	A1
AM33	DDR4_SODIMM_A2	132	A2
AL34	DDR4_SODIMM_A3	131	A3
AL33	DDR4_SODIMM_A4	128	A4
AK33	DDR4_SODIMM_A5	126	A5
AK30	DDR4_SODIMM_A6	127	A6
AJ30	DDR4_SODIMM_A7	122	A7
AJ31	DDR4_SODIMM_A8	125	A8
AH31	DDR4_SODIMM_A9	121	A9
AG31	DDR4_SODIMM_A10	146	A10/AP
AF31	DDR4_SODIMM_A11	120	A11
AG30	DDR4_SODIMM_A12	119	A12
AF30	DDR4_SODIMM_A13	158	A13
AE27	DDR4_SODIMM_BA0	150	BA0
AE28	DDR4_SODIMM_BA1	145	BA1
AD27	DDR4_SODIMM_BG0	115	BG0
AF27	DDR4_SODIMM_BG1	113	BG1
AP27	DDR4_SODIMM_DQ0	8	DQ0
AP25	DDR4_SODIMM_DQ1	7	DQ1
AP26	DDR4_SODIMM_DQ2	20	DQ2
AM26	DDR4_SODIMM_DQ3	21	DQ3
AP24	DDR4_SODIMM_DQ4	4	DQ4
AL25	DDR4_SODIMM_DQ5	3	DQ5
AM25	DDR4_SODIMM_DQ6	16	DQ6
AM24	DDR4_SODIMM_DQ7	17	DQ7
AM28	DDR4_SODIMM_DQ8	28	DQ8

Table 3-3: DDR4 SODIMM Socket J1 Connections to FPGA PS DDR Bank 504 (Cont'd)

XCZU7EV (U1) Pin	Net Name	DDR4 SODIMM Memory J1	
		Pin Number	Pin Name
AN28	DDR4_SODIMM_DQ9	29	DQ9
AP29	DDR4_SODIMM_DQ10	41	DQ10
AP28	DDR4_SODIMM_DQ11	42	DQ11
AM31	DDR4_SODIMM_DQ12	24	DQ12
AP31	DDR4_SODIMM_DQ13	25	DQ13
AN31	DDR4_SODIMM_DQ14	38	DQ14
AM30	DDR4_SODIMM_DQ15	37	DQ15
AF25	DDR4_SODIMM_DQ16	50	DQ16
AG25	DDR4_SODIMM_DQ17	49	DQ17
AG26	DDR4_SODIMM_DQ18	62	DQ18
AJ25	DDR4_SODIMM_DQ19	63	DQ19
AG24	DDR4_SODIMM_DQ20	46	DQ20
AK25	DDR4_SODIMM_DQ21	45	DQ21
AJ24	DDR4_SODIMM_DQ22	58	DQ22
AK24	DDR4_SODIMM_DQ23	59	DQ23
AH28	DDR4_SODIMM_DQ24	70	DQ24
AH27	DDR4_SODIMM_DQ25	71	DQ25
AJ27	DDR4_SODIMM_DQ26	83	DQ26
AK27	DDR4_SODIMM_DQ27	84	DQ27
AL26	DDR4_SODIMM_DQ28	66	DQ28
AL27	DDR4_SODIMM_DQ29	67	DQ29
AH29	DDR4_SODIMM_DQ30	79	DQ30
AL28	DDR4_SODIMM_DQ31	80	DQ31
AB29	DDR4_SODIMM_DQ32	174	DQ32
AB30	DDR4_SODIMM_DQ33	173	DQ33
AC29	DDR4_SODIMM_DQ34	187	DQ34
AD32	DDR4_SODIMM_DQ35	186	DQ35
AC31	DDR4_SODIMM_DQ36	170	DQ36
AE30	DDR4_SODIMM_DQ37	169	DQ37
AC28	DDR4_SODIMM_DQ38	183	DQ38
AE29	DDR4_SODIMM_DQ39	182	DQ39
AC27	DDR4_SODIMM_DQ40	195	DQ40
AA27	DDR4_SODIMM_DQ41	194	DQ41
AA28	DDR4_SODIMM_DQ42	207	DQ42

Table 3-3: DDR4 SODIMM Socket J1 Connections to FPGA PS DDR Bank 504 (Cont'd)

XCZU7EV (U1) Pin	Net Name	DDR4 SODIMM Memory J1	
		Pin Number	Pin Name
AB28	DDR4_SODIMM_DQ43	208	DQ43
W27	DDR4_SODIMM_DQ44	191	DQ44
W29	DDR4_SODIMM_DQ45	190	DQ45
W28	DDR4_SODIMM_DQ46	203	DQ46
V27	DDR4_SODIMM_DQ47	204	DQ47
AA32	DDR4_SODIMM_DQ48	216	DQ48
AA33	DDR4_SODIMM_DQ49	215	DQ49
AA34	DDR4_SODIMM_DQ50	228	DQ50
AE34	DDR4_SODIMM_DQ51	229	DQ51
AD34	DDR4_SODIMM_DQ52	211	DQ52
AB31	DDR4_SODIMM_DQ53	212	DQ53
AC34	DDR4_SODIMM_DQ54	224	DQ54
AC33	DDR4_SODIMM_DQ55	225	DQ55
AA30	DDR4_SODIMM_DQ56	237	DQ56
Y30	DDR4_SODIMM_DQ57	236	DQ57
AA31	DDR4_SODIMM_DQ58	249	DQ58
W30	DDR4_SODIMM_DQ59	250	DQ59
Y33	DDR4_SODIMM_DQ60	232	DQ60
W33	DDR4_SODIMM_DQ61	233	DQ61
W34	DDR4_SODIMM_DQ62	245	DQ62
Y34	DDR4_SODIMM_DQ63	246	DQ63
AF32	DDR4_SODIMM_CB0	92	CB0/NC
AE32	DDR4_SODIMM_CB1	91	CB1/NC
AH33	DDR4_SODIMM_CB2	101	CB2/NC
AE33	DDR4_SODIMM_CB3	105	CB3/NC
AF33	DDR4_SODIMM_CB4	88	CB4/NC
AH34	DDR4_SODIMM_CB5	87	CB5/NC
AJ34	DDR4_SODIMM_CB6	100	CB6/NC
AK34	DDR4_SODIMM_CB7	104	CB7/NC
AN24	DDR4_SODIMM_DM0_B	12	DM0_N/DBI0_N
AM29	DDR4_SODIMM_DM1_B	33	DM1_N/DBI1_N
AH24	DDR4_SODIMM_DM2_B	54	DM2_N/DBI2_N
AJ29	DDR4_SODIMM_DM3_B	75	DM3_N/DBI3_N
AD29	DDR4_SODIMM_DM4_B	178	DM4_N/DBI4_N

Table 3-3: DDR4 SODIMM Socket J1 Connections to FPGA PS DDR Bank 504 (Cont'd)

XCZU7EV (U1) Pin	Net Name	DDR4 SODIMM Memory J1	
		Pin Number	Pin Name
Y29	DDR4_SODIMM_DM5_B	199	DM5_N/DBI5_N
AC32	DDR4_SODIMM_DM6_B	220	DM6_N/DBI6_N
Y32	DDR4_SODIMM_DM7_B	241	DM7_N/DBI7_N
AF34	DDR4_SODIMM_DM8_B	96	DM8_N/DBI8_N/NC
AN26	DDR4_SODIMM_DQS0_T	13	DQS0_T
AN27	DDR4_SODIMM_DQS0_C	11	DQS0_C
AN29	DDR4_SODIMM_DQS1_T	34	DQS1_T
AP30	DDR4_SODIMM_DQS1_C	32	DQS1_C
AH26	DDR4_SODIMM_DQS2_T	55	DQS2_T
AJ26	DDR4_SODIMM_DQS2_C	53	DQS2_C
AK28	DDR4_SODIMM_DQS3_T	76	DQS3_T
AK29	DDR4_SODIMM_DQS3_C	74	DQS3_C
AD30	DDR4_SODIMM_DQS4_T	179	DQS4_T
AD31	DDR4_SODIMM_DQS4_C	177	DQS4_C
Y27	DDR4_SODIMM_DQS5_T	200	DQS5_T
Y28	DDR4_SODIMM_DQS5_C	198	DQS5_C
AB33	DDR4_SODIMM_DQS6_T	221	DQS6_T
AB34	DDR4_SODIMM_DQS6_C	219	DQS6_C
W31	DDR4_SODIMM_DQS7_T	242	DQS7_T
W32	DDR4_SODIMM_DQS7_C	240	DQS7_C
AG33	DDR4_SODIMM_DQS8_T	97	DQS8_T
AG34	DDR4_SODIMM_DQS8_C	95	DQS8_C
AL31	DDR4_SODIMM_CK0_C	139	CK0_C
AN32	DDR4_SODIMM_CK0_T	137	CK0_T
AL30	DDR4_SODIMM_CK1_C	140	CK1_C/NF
AL32	DDR4_SODIMM_CK1_T	138	CK1_T/NF
AN33	DDR4_SODIMM_CKE0	109	CKE0
AH32	DDR4_SODIMM_CKE1	110	CKE1
AP32	DDR4_SODIMM_ODT0	155	ODT0
AJ32	DDR4_SODIMM_ODT1	161	ODT1
AF28	DDR4_SODIMM_RAS_B	152	RAS_N/A16
AG28	DDR4_SODIMM_CAS_B	156	CAS_N/A15
AG29	DDR4_SODIMM_WE_B	151	WE_N/A14
AE25	DDR4_SODIMM_ACT_B	114	ACT_N

Table 3-3: DDR4 SODIMM Socket J1 Connections to FPGA PS DDR Bank 504 (Cont'd)

XCZU7EV (U1) Pin	Net Name	DDR4 SODIMM Memory J1	
		Pin Number	Pin Name
AB26	DDR4_SODIMM_ALERT_B	116	ALERT_N
AA26	DDR4_SODIMM_PARITY	143	PARITY
AP33	DDR4_SODIMM_CS0_B	149	CS0_N
AK32	DDR4_SODIMM_CS1_B	157	CS1_N

The ZCU106 DDR4 SODIMM interface adheres to the constraints guidelines documented in the "PCB Guidelines for DDR4" section of the *UltraScale Architecture PCB Design Guide* (UG583) [Ref 4]. The DDR4 SODIMM interface is a 40Ω impedance implementation. Other memory interface details are also available in the *UltraScale Architecture FPGAs Memory Interface Solutions Guide* (PG150) [Ref 5].

PL-Side: DDR4 Component Memory

[Figure 2-1, callout 2]

The 2 GB 64-bit wide DDR4 memory system is comprised of four 256 Mb x 16 SDRAMs, U2, and 99–101.

- Manufacturer: Micron
- Part Number: MT40A256M16GE-075E
- Description:
 - 4 Gb (256 Mb x 16)
 - 1.2V 96-ball TFBGA
 - DDR4-2666

The ZCU106 XCZU7EV FFVC MPSoC PL DDR interface performance is documented in the *Zynq UltraScale+ MPSoC Data Sheet: DC and AC Switching Characteristics* (DS925) [Ref 2]. This memory system is connected to the XCZU7EV device banks 64, 65, and 66. The DDR4 0.6V VTT termination voltage is sourced from the TI TPS51200DR linear regulator U35. The connections between the DDR4 component memory and the XCZU7EV device are listed in Table 3-4.

Table 3-4: DDR4 Component Memory Connection to the XCZU7EV MPSoC

XCZU7EV (U1) Pin	Net Name	I/O Standard	DDR4 Component Memory		
			Pin #	Pin Name	Ref. Des.
AF16	DDR4_DQ0	POD12_DCI	G2	DQL0	U101
AF18	DDR4_DQ1	POD12_DCI	F7	DQL1	U101
AG15	DDR4_DQ2	POD12_DCI	H3	DQL2	U101
AF17	DDR4_DQ3	POD12_DCI	H7	DQL3	U101
AF15	DDR4_DQ4	POD12_DCI	H2	DQL4	U101
AG18	DDR4_DQ5	POD12_DCI	H8	DQL5	U101
AG14	DDR4_DQ6	POD12_DCI	J3	DQL6	U101
AE17	DDR4_DQ7	POD12_DCI	J7	DQL7	U101
AA14	DDR4_DQ8	POD12_DCI	A3	DQU0	U101
AC16	DDR4_DQ9	POD12_DCI	B8	DQU1	U101
AB15	DDR4_DQ10	POD12_DCI	C3	DQU2	U101
AD16	DDR4_DQ11	POD12_DCI	C7	DQU3	U101
AB16	DDR4_DQ12	POD12_DCI	C2	DQU4	U101
AC17	DDR4_DQ13	POD12_DCI	C8	DQU5	U101
AB14	DDR4_DQ14	POD12_DCI	D3	DQU6	U101
AD17	DDR4_DQ15	POD12_DCI	D7	DQU7	U101
AH14	DDR4_DQS0_T	DIFF_POD12_DCI	G3	DQSL_T	U101
AJ14	DDR4_DQS0_C	DIFF_POD12_DCI	F3	DQSL_C	U101
AA16	DDR4_DQS1_T	DIFF_POD12_DCI	B7	DQSU_T	U101
AA15	DDR4_DQS1_C	DIFF_POD12_DCI	A7	DQSU_C	U101
AH18	DDR4_DM0	POD12_DCI	E7	DML_B/DBIL_B	U101
AD15	DDR4_DM1	POD12_DCI	E2	DMU_B/DBIU_B	U101
AJ16	DDR4_DQ16	POD12_DCI	G2	DQL0	U99
AJ17	DDR4_DQ17	POD12_DCI	F7	DQL1	U99
AL15	DDR4_DQ18	POD12_DCI	H3	DQL2	U99
AK17	DDR4_DQ19	POD12_DCI	H7	DQL3	U99
AJ15	DDR4_DQ20	POD12_DCI	H2	DQL4	U99
AK18	DDR4_DQ21	POD12_DCI	H8	DQL5	U99
AL16	DDR4_DQ22	POD12_DCI	J3	DQL6	U99
AL18	DDR4_DQ23	POD12_DCI	J7	DQL7	U99
AP13	DDR4_DQ24	POD12_DCI	A3	DQU0	U99
AP16	DDR4_DQ25	POD12_DCI	B8	DQU1	U99
AP15	DDR4_DQ26	POD12_DCI	C3	DQU2	U99

Table 3-4: DDR4 Component Memory Connection to the XCZU7EV MPSoC (Cont'd)

XCZU7EV (U1) Pin	Net Name	I/O Standard	DDR4 Component Memory		
			Pin #	Pin Name	Ref. Des.
AN16	DDR4_DQ27	POD12_DCI	C7	DQU3	U99
AN13	DDR4_DQ28	POD12_DCI	C2	DQU4	U99
AM18	DDR4_DQ29	POD12_DCI	C8	DQU5	U99
AN17	DDR4_DQ30	POD12_DCI	D3	DQU6	U99
AN18	DDR4_DQ31	POD12_DCI	D7	DQU7	U99
AK15	DDR4_DQS2_T	DIFF_POD12_DCI	G3	DQSL_T	U99
AK14	DDR4_DQS2_C	DIFF_POD12_DCI	F3	DQSL_C	U99
AM14	DDR4_DQS3_T	DIFF_POD12_DCI	B7	DQSU_T	U99
AN14	DDR4_DQS3_C	DIFF_POD12_DCI	A7	DQSU_C	U99
AM16	DDR4_DM2	POD12_DCI	E7	DML_B/DBIL_B	U99
AP18	DDR4_DM3	POD12_DCI	E2	DMU_B/DBIU_B	U99
AB19	DDR4_DQ32	POD12_DCI	G2	DQL0	U100
AD19	DDR4_DQ33	POD12_DCI	F7	DQL1	U100
AC18	DDR4_DQ34	POD12_DCI	H3	DQL2	U100
AC19	DDR4_DQ35	POD12_DCI	H7	DQL3	U100
AA20	DDR4_DQ36	POD12_DCI	H2	DQL4	U100
AE20	DDR4_DQ37	POD12_DCI	H8	DQL5	U100
AA19	DDR4_DQ38	POD12_DCI	J3	DQL6	U100
AD20	DDR4_DQ39	POD12_DCI	J7	DQL7	U100
AF22	DDR4_DQ40	POD12_DCI	A3	DQU0	U100
AH21	DDR4_DQ41	POD12_DCI	B8	DQU1	U100
AG19	DDR4_DQ42	POD12_DCI	C3	DQU2	U100
AG21	DDR4_DQ43	POD12_DCI	C7	DQU3	U100
AE24	DDR4_DQ44	POD12_DCI	C2	DQU4	U100
AG20	DDR4_DQ45	POD12_DCI	C8	DQU5	U100
AE23	DDR4_DQ46	POD12_DCI	D3	DQU6	U100
AF21	DDR4_DQ47	POD12_DCI	D7	DQU7	U100
AA18	DDR4_DQS4_T	DIFF_POD12_DCI	G3	DQSL_T	U100
AB18	DDR4_DQS4_C	DIFF_POD12_DCI	F3	DQSL_C	U100
AF23	DDR4_DQS5_T	DIFF_POD12_DCI	B7	DQSU_T	U100
AG23	DDR4_DQS5_C	DIFF_POD12_DCI	A7	DQSU_C	U100
AE18	DDR4_DM4	POD12_DCI	E7	DML_B/DBIL_B	U100
AH22	DDR4_DM5	POD12_DCI	E2	DMU_B/DBIU_B	U100
AL22	DDR4_DQ48	POD12_DCI	G2	DQL0	U100

Table 3-4: DDR4 Component Memory Connection to the XCZU7EV MPSoC (Cont'd)

XCZU7EV (U1) Pin	Net Name	I/O Standard	DDR4 Component Memory		
			Pin #	Pin Name	Ref. Des.
AJ22	DDR4_DQ49	POD12_DCI	F7	DQL1	U2
AL23	DDR4_DQ50	POD12_DCI	H3	DQL2	U2
AJ21	DDR4_DQ51	POD12_DCI	H7	DQL3	U2
AK20	DDR4_DQ52	POD12_DCI	H2	DQL4	U2
AJ19	DDR4_DQ53	POD12_DCI	H8	DQL5	U2
AK19	DDR4_DQ54	POD12_DCI	J3	DQL6	U2
AJ20	DDR4_DQ55	POD12_DCI	J7	DQL7	U2
AP22	DDR4_DQ56	POD12_DCI	A3	DQU0	U2
AN22	DDR4_DQ57	POD12_DCI	B8	DQU1	U2
AP21	DDR4_DQ58	POD12_DCI	C3	DQU2	U2
AP23	DDR4_DQ59	POD12_DCI	C7	DQU3	U2
AM19	DDR4_DQ60	POD12_DCI	C2	DQU4	U2
AM23	DDR4_DQ61	POD12_DCI	C8	DQU5	U2
AN19	DDR4_DQ62	POD12_DCI	D3	DQU6	U2
AN23	DDR4_DQ63	POD12_DCI	D7	DQU7	U2
AK22	DDR4_DQS6_T	DIFF_POD12_DCI	G3	DQSL_T	U2
AK23	DDR4_DQS6_C	DIFF_POD12_DCI	F3	DQSL_C	U2
AM21	DDR4_DQS7_T	DIFF_POD12_DCI	B7	DQSU_T	U2
AN21	DDR4_DQS7_C	DIFF_POD12_DCI	A7	DQSU_C	U2
AL20	DDR4_DM6	POD12_DCI	E7	DML_B/DBIL_B	U2
AP19	DDR4_DM7	POD12_DCI	E2	DMU_B/DBIU_B	U2
AK9	DDR4_A0	SSTL12_DCI	P3	A0	U2,U99-U101
AG11	DDR4_A1	SSTL12_DCI	P7	A1	U2,U99-U101
AJ10	DDR4_A2	SSTL12_DCI	R3	A2	U2,U99-U101
AL8	DDR4_A3	SSTL12_DCI	N7	A3	U2,U99-U101
AK10	DDR4_A4	SSTL12_DCI	N3	A4	U2,U99-U101
AH8	DDR4_A5	SSTL12_DCI	P8	A5	U2,U99-U101
AJ9	DDR4_A6	SSTL12_DCI	P2	A6	U2,U99-U101
AG8	DDR4_A7	SSTL12_DCI	R8	A7	U2,U99-U101
AH9	DDR4_A8	SSTL12_DCI	R2	A8	U2,U99-U101
AG10	DDR4_A9	SSTL12_DCI	R7	A9	U2,U99-U101
AH13	DDR4_A10	SSTL12_DCI	M3	A10/AP	U2,U99-U101
AG9	DDR4_A11	SSTL12_DCI	T2	A11	U2,U99-U101
AM13	DDR4_A12	SSTL12_DCI	M7	A12/BC_B	U2,U99-U101

Table 3-4: DDR4 Component Memory Connection to the XCZU7EV MPSoC (Cont'd)

XCZU7EV (U1) Pin	Net Name	I/O Standard	DDR4 Component Memory		
			Pin #	Pin Name	Ref. Des.
AF8	DDR4_A13	SSTL12_DCI	T8	A13	U2,U99-U101
AK8	DDR4_BA0	SSTL12_DCI	N2	BA0	U2,U99-U101
AL12	DDR4_BA1	SSTL12_DCI	N8	BA1	U2,U99-U101
AE14	DDR4_BG0	SSTL12_DCI	M2	BG0	U2,U99-U101
AC12	DDR4_A14_WE_B	SSTL12_DCI	L2	WE_B/A14	U2,U99-U101
AF11	DDR4_A16_RAS_B	SSTL12_DCI	L8	RAS_B/A16	U2,U99-U101
AE12	DDR4_A15_CAS_B	SSTL12_DCI	M8	CAS_B_A15	U2,U99-U101
AH11	DDR4_CK_T	DIFF_SSTL12_DCI	K7	CK_T	U2,U99-U101
AJ11	DDR4_CK_C	DIFF_SSTL12_DCI	K8	CK_C	U2,U99-U101
AB13	DDR4_CKE	SSTL12_DCI	K2	CKE	U2,U99-U101
AD14	DDR4_ACT_B	SSTL12_DCI	L3	ACT_B	U2,U99-U101
R156 P/D	DDR4_TEN	SSTL12_DCI	N9	TEN	U2,U99-U101
R499 P/U	DDR4_ALERT_B	SSTL12_DCI	P9	ALERT_B	U2,U99-U101
AC13	DDR4_PAR	SSTL12_DCI	T3	PAR	U2,U99-U101
AF12	DDR4_RESET_B	LVC MOS12	P1	RESET_B	U2,U99-U101
AF10	DDR4_ODT	SSTL12_DCI	K3	ODT	U2,U99-U101
AD12	DDR4_CS_B	SSTL12_DCI	L7	CS_B	U2,U99-U101

The ZCU106 board DDR4 64-bit component memory interface adheres to the constraints guidelines documented in the “PCB Guidelines for DDR4” section of *UltraScale Architecture PCB Design User Guide* (UG583) [Ref 4]. The ZCU106 DDR4 component interface is a 40Ω impedance implementations. Other memory interface details are also available in the *UltraScale Architecture FPGAs Memory Interface Solutions Product Guide* (PG150) [Ref 5]. For more details, see the Micron MT40A256M16GE-075E data sheet at the Micron website [Ref 15].

PSMIO

Table 3-5 provides PS MIO peripheral mapping implemented on the ZCU106 board. See the *Zynq UltraScale+ MPSoC Technical Reference Manual (UG1085)* [Ref 3] for more information on PS MIO peripheral mapping.

Table 3-5: MIO Peripheral Mapping

MIO[0:25] Bank 500		MIO[26:51] Bank 501		MIO[52:77] Bank 502	
0	QSPI	26	PMU IN	52	USB0
1	QSPI	27	DPAUX	53	USB0
2	QSPI	28	DPAUX	54	USB0
3	QSPI	29	DPAUX	55	USB0
4	QSPI	30	DPAUX	56	USB0
5	QSPI	31	Not assigned/no connect	57	USB0
6	Not assigned/no connect	32	PMU OUT	58	USB0
7	QSPI	33	PMU OUT	59	USB0
8	QSPI	34	PMU OUT	60	USB0
9	QSPI	35	PMU OUT	61	USB0
10	QSPI	36	PMU OUT	62	USB0
11	QSPI	37	PMU OUT	63	USB0
12	QSPI	38	GPIO	64	GEM3
13	GPIO	39	SD1	65	GEM3
14	I2C0	40	SD1	66	GEM3
15	I2C0	41	SD1	67	GEM3
16	I2C1	42	SD1	68	GEM3
17	I2C1	43		69	GEM3
18	UART0	44	SD1	70	GEM3
19	UART0	45	SD1	71	GEM3
20	UART1	46	SD1	72	GEM3
21	UART1	47	SD1	73	GEM3
22	GPIO	48	SD1	74	GEM3
23	GPIO	49	SD1	75	GEM3
24	CAN1	50	SD1	76	GEM3
25	CAN1	51	SD1	77	GEM3

Quad SPI Flash Memory (MIO 0–12)

[Figure 2-1, callout 3]

The Micron dual MT25QU512ABB8ESF serial NOR flash Quad SPI (QSPI) flash memories can hold the boot image for the MPSoC system. To achieve higher performance, two QSPI flash memory devices are connected in parallel and provide an 8-bit data bus for boot and configuration. This interface is used to support QSPI32 boot mode as defined in the *Zynq UltraScale+ MPSoC Technical Reference Manual* (UG1085) [Ref 3].

The dual QSPI flash memory located at U119/U120 provides 1 Gb of non-volatile storage that can be used for configuration and data storage.

- Part number: MT25QU512ABB8ESF-0SIT (Micron)
- Supply voltage: 1.8V
- Datapath width: 8-bit
- Data rate: various depending on single, dual, or quad mode

The connections between the SPI flash memory and the XCZU7EV MPSoC are listed in Table 3-6.

Table 3-6: Quad SPI Flash Memory Component Connections to MPSoC U1

XCZU7EV (U1) Pin	Net Name	Quad-SPI U119 (LWR), U120 (UPR)	
		Pin #	Pin Name
A25	MIO4_QSPI_LWR_DQ0	15	DQ0
C24	MIO1_QSPI_LWR_DQ1	8	DQ1
B24	MIO2_QSPI_LWR_DQ2	9	DQ2_WP_B
E25	MIO3_QSPI_LWR_DQ3	1	DQ3_RST_HOLD_B
A24	MIO0_QSPI_LWR_CLK	16	C
D25	MIO5_QSPI_LWR_CS_B	7	S_B
D26	MIO8_QSPI_UPR_DQ0	15	DQ0
C26	MIO9_QSPI_UPR_DQ1	8	DQ1
F26	MIO10_QSPI_UPR_DQ2	9	DQ2_WP_B
B26	MIO11_QSPI_UPR_DQ3	1	DQ3_RST_HOLD_B
C27	MIO12_QSPI_UPR_CLK	16	C
B25	MIO7_QSPI_UPR_CS_B	7	S_B

The configuration and Quad SPI flash memory section of the *Zynq UltraScale+ MPSoC Technical Reference Manual* (UG1085) [Ref 3] provides details on using the memory. For more QSPI details, see the Micron MT25QU512ABB8ESF-0SIT data sheet at the Micron website [Ref 15].

USB0 (MIO 52-63)

The USB interface on the PS-side serves multiple roles as a host or device controller. The USB 3.0 interface is supported by the MPSoC GTR interface while the USB 2.0 capabilities of the SMSC USB3320C controller are shared on a common USB 3.0 USB type A connector (J96).

USB 3.0 Transceiver and USB 2.0 ULPI PHY

[Figure 2-1, callout 5]

The ZCU106 board uses a Standard Microsystems Corporation USB3320 USB 2.0 ULPI transceiver at U116 to support a USB connection to the host computer (see Figure 3-3). The USB3320 is a high-speed USB 2.0 PHY supporting the UTMI+ low pin interface (ULPI) interface standard. The ULPI standard defines the interface between the USB controller IP and the PHY device, which drives the physical USB bus. Use of the ULPI standard reduces the interface pin count between the USB controller IP and the PHY device.

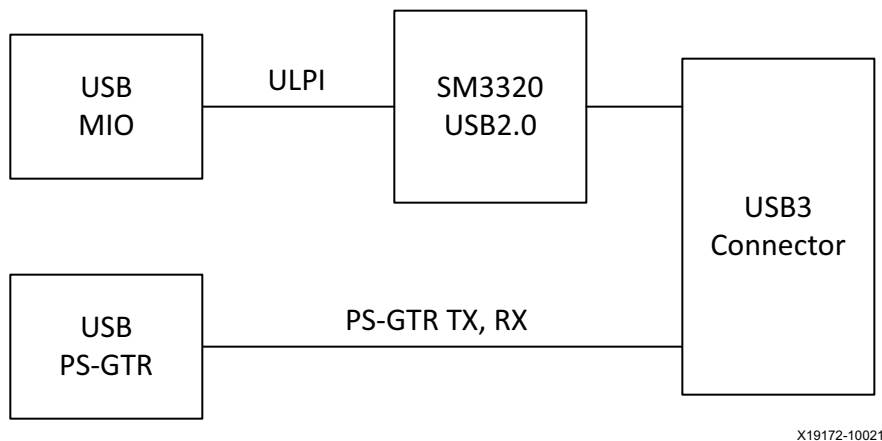


Figure 3-3: USB Interface

The USB3320 is clocked by a 24 MHz crystal. See the Standard Microsystems Corporation (SMSC) USB3320 data sheet for clocking mode details [Ref 16]. The interface to the USB3320 PHY is implemented through the IP in the XCZU7EV MPSoC PS.

Table 3-7 describes the jumper settings for the USB 2.0 circuit. Bold text identifies the default shunt positions for USB 2.0 high speed on-the-go (OTG) mode.

Table 3-7: USB Jumper Settings

Header	Function	Shunt Position	Notes
J110	CVBUS select	ON = Device mode (1 μ F) OFF = Host mode (120 μF) and source of bus power	VBUS load capacitance
J96	USB 3.0 A	Position 1-2 = Shield floating (DNP C887 pads) Position 2-3 = Shield connected to GND	

The connections between the USB 2.0 PHY at U116 and the XCZU7EV MPSoC are listed in Table 3-8.

Table 3-8: USB 2.0 ULPI Transceiver Connections to the XCZU7EV MPSoC

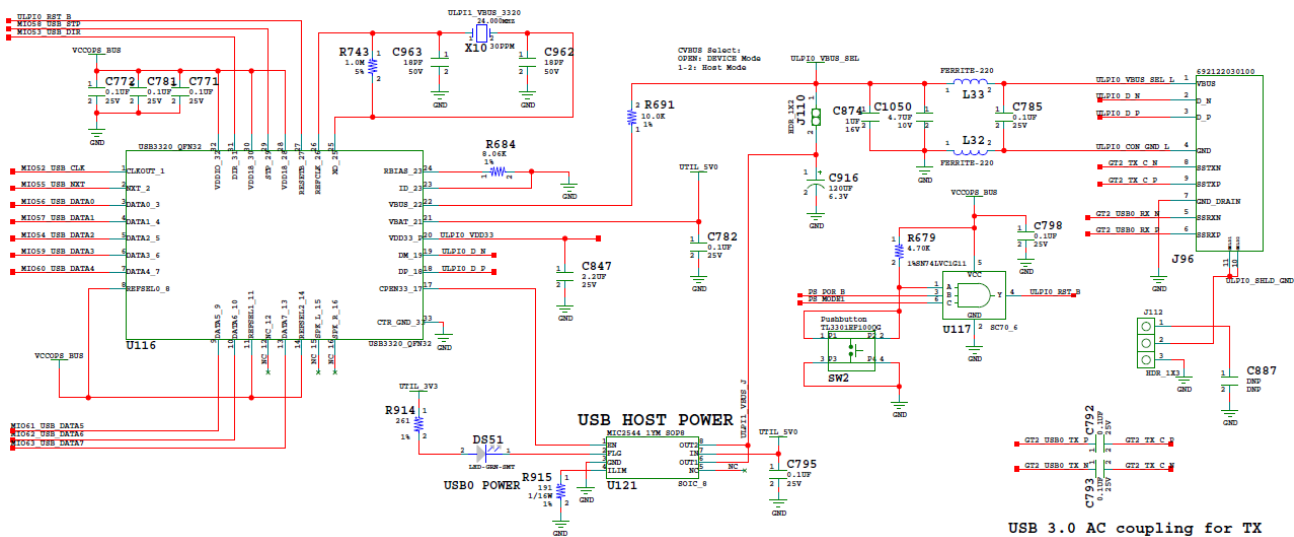
XCZU7EV (U1) Pin	Net Name	USB3320 U116	
		Pin #	Pin Name
U117.4	ULPI0_RST_B ⁽¹⁾	27	RESET_B
H31	MIO58_USB_STP ⁽²⁾	29	STP
G30	MIO53_USB_DIR	31	DIR
G29	MIO52_USB_CLK	1	CLKOUT
G33	MIO55_USB_NXT	2	NXT
G34	MIO56_USB_DATA0 ⁽²⁾	3	DATA0
H29	MIO57_USB_DATA1 ⁽²⁾	4	DATA1
G31	MIO54_USB_DATA2 ⁽²⁾	5	DATA2
H32	MIO59_USB_DATA3 ⁽²⁾	6	DATA3
H33	MIO60_USB_DATA4 ⁽²⁾	7	DATA4
H34	MIO61_USB_DATA5 ⁽²⁾	9	DATA5
J29	MIO62_USB_DATA6 ⁽²⁾	10	DATA6
J30	MIO63_USB_DATA7 ⁽²⁾	13	DATA7

Notes:

1. PS_POR_B (U1.M24) or PS_MODE1 (DIP SW6.2) or PB SW2 drive U116 RST_B via OR gate U117.
2. These nets are 30 Ω series resistor coupled.

Note: The shield for the USB 3.0 A connector (J96) can be tied to GND by a jumper on header J112 pins 2-3 (default). The USB shield can optionally be connected through a capacitor to GND by installing a capacitor (body size 0402) at location C887 and jumping pins 1-2 on header J112.

The USB3320 ULPI U116 transceiver circuit (see [Figure 3-4](#)) has a Micrel MIC2544 high-side programmable current limit switch (U121). This switch has an open-drain output fault flag on pin 2, which turns on LED DS51 if over current or thermal shutdown conditions are detected. DS51 is located in the U116 circuit area near pushbutton SW2 ([Figure 2-1](#), callout 5).



X19004-050117

Figure 3-4: ULPI U116 Transceiver Circuit

SD1 (MIO 39-51)

A PS-side interface to an SD card connector is provided for booting and file system storage. This interface is used for the SD boot mode and supports SD3.0 access post boot.

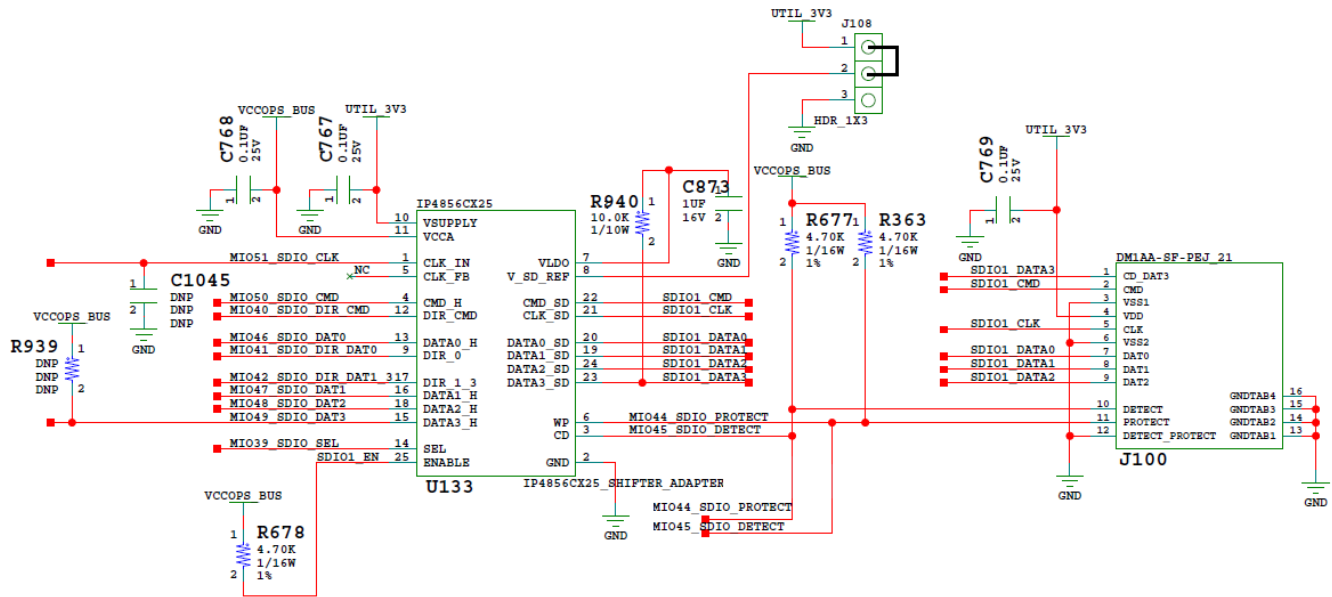
SD Card Interface

[[Figure 2-1](#), callout 6]

The ZCU106 board includes a secure digital input/output (SDIO) interface to provide access to general purpose non-volatile SDIO memory cards and peripherals. See the SanDisk Corporation [[Ref 17](#)] or SD Association [[Ref 18](#)] websites for more information on the SD I/O card specification. The ZCU106 SD card interface supports the SD1_LS configuration boot mode documented in the *Zynq UltraScale+ MPSoC Technical Reference Manual* (UG1085) [[Ref 3](#)].

The SDIO signals are connected to XCZU7EV MPSoC PS bank 501, which has its V_{CCMIO} set to 1.8V. Each of the six MIO[46-51]_SDIO_* nets has a series 30Ω resistor at the source. An NXP IP4856CX25 SD 3.0-compliant voltage level-translator U133 is present between the XCZU7EV MPSoC and the SD card connector (J100). The NXP IP4856CX25 U133 device provides SD3.0 capability with SDR104 performance.

Figure 3-5 shows the connections of the SD card interface on the ZCU106 board.



X19005-050117

Figure 3-5: SD Card Interface

The NXP SD3.0 level shifter is mounted on an Aries adapter board that has the pin mapping listed in Table 3-9.

Table 3-9: U133 IP4856CX25 Adapter Pin-Out

Aries Adapter Pin Number	IP4856CX25 U133 Pin Number	IP4856CX25 U133 Pin Name
1	C1	CLK_IN
2	C3	GND
3	D3	CD
4	D2	CMD_H
5	E2	CLK_FB
6	E4	WP
7	B4	VLDO
8	C4	V _{SD_REF}
9	A3	DIR_0
10	A4	V _{SUPPLY}
11	B3	V _{CCA}
12	A2	DIR_CMD
13	D1	DATA0_H
14	B2	SEL

Table 3-9: U133 IP4856CX25 Adapter Pin-Out (Cont'd)

Aries Adapter Pin Number	IP4856CX25 U133 Pin Number	IP4856CX25 U133 Pin Name
15	B1	DATA3_H
16	E1	DATA1_H
17	E3	DIR_1_3
18	A1	DATA2_H
19	E5	DATA1_SD
20	D5	DATA0_SD
21	C5	CLK_SD
22	D4	CMD_SD
23	B5	DATA3_SD
24	A5	DATA2_SD
25	C2	ENABLE

Table 3-10 lists the SD card interface connections to the XCZU7EV MPSoC.

Table 3-10: SD Interface Connections to the XCZU7EV MPSoC

XCZU7EV (U1) Pin	Net Name	U133 IP4856CX25 Adapter	
		Pin #	Pin Name
D30	MIO39_SDIO_SEL	14	SEL
D31	MIO40_SDIO_DIR_CMD	12	DIR_CMD
D32	MIO41_SDIO_DIR_DAT0	9	DIR_0
D34	MIO42_SDIO_DIR_DAT1_3	17	DIR_1_3
E34	MIO46_SDIO_DAT0	13	DATA0_H
F30	MIO47_SDIO_DAT1	16	DATA1_H
F31	MIO48_SDIO_DAT2	18	DATA2_H
F32	MIO49_SDIO_DAT3	15	DATA3_H
F33	MIO50_SDIO_CMD	4	CMD_H
F34	MIO51_SDIO_CLK	1	CLK_IN
E32	MIO44_SDIO_PROTECT	6	WP
E33	MIO45_SDIO_DETECT	3	CD

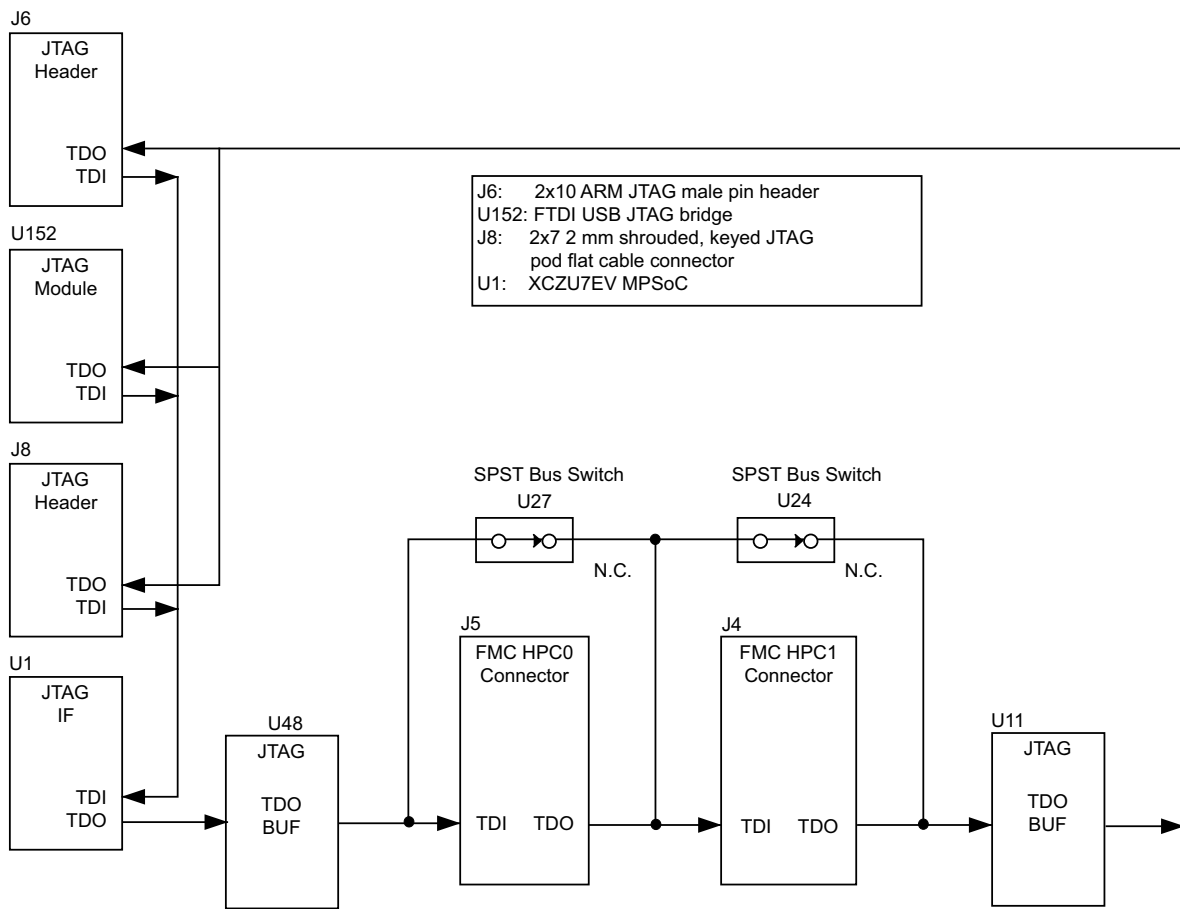
Programmable Logic JTAG Programming Options

[Figure 2-1, callouts 7 and 39]

ZCU106 JTAG chain:

- J2 USB micro AB connector connected to U152 FTDI USB JTAG bridge
- J8 2x7 2 mm shrouded, keyed JTAG pod flat cable connector
- J6 2x10 Arm JTAG male pin header

The ZCU106 board JTAG chain is shown in Figure 3-6.



X19173-022218

Figure 3-6: JTAG Chain Block Diagram

For more details on the FTDI FT232HL USB UART, see [Ref 26].

FMC Connector JTAG Bypass

When an FPGA mezzanine card (FMC) is attached to J5 or J4, it is automatically added to the JTAG chain through electronically controlled single-pole single-throw (SPST) switches U27 and U24. The SPST switches are normally closed and transition to an open state when an FMC is attached. Switch U27 adds an attached FMC to the JTAG chain as determined by the FMC_HPC0_PRSENT_M2C_B signal. Switch U24 adds an attached FMC to the JTAG chain as determined by the FMC_HPC1_PRSENT_M2C_B signal. The attached FMC card must implement a TDI-to-TDO connection using a device or bypass jumper to ensure that the JTAG chain connects to the U1 XCZU7EV MPSoC.

EMIO Arm Trace Port

[Figure 2-1, callout 34]

The ZCU106 evaluation board provides a trace/debug 38-pin Mictor connector, P6. Figure 3-7 shows connector P6 with its MPSoC bank 87/88 connections.

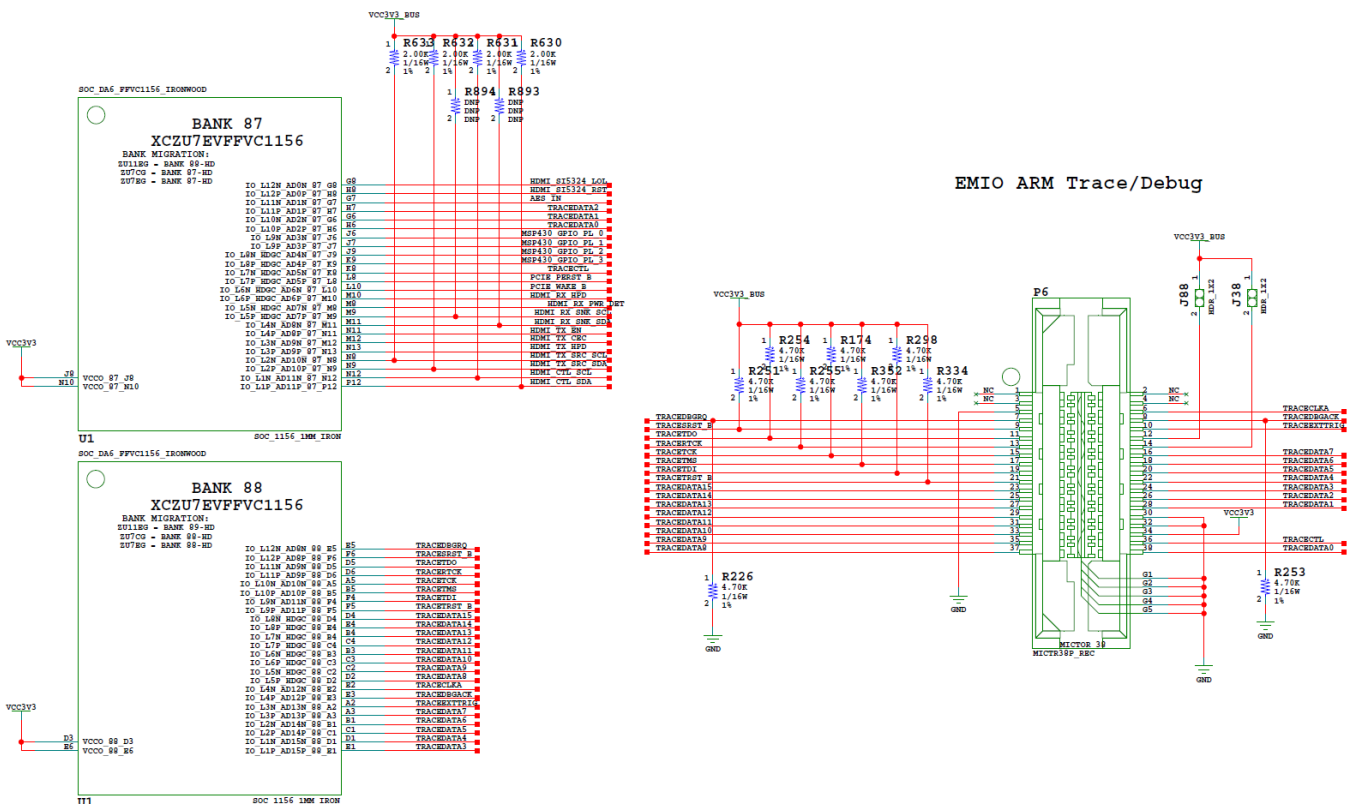


Figure 3-7: EMIO Arm Trace Port Interface

X19006-050117

The P6 connector to MPSoC connections are listed in [Table 3-11](#).

Table 3-11: Trace/Debug Conn. P6 Connections to the XCZU7EV MPSoC

XCZU7EV (U1) Pin	Net Name	I/O Standard	Trace/Debug P6 Pin
H6	TRACEDATA0	LVC MOS33	38
G6	TRACEDATA1	LVC MOS33	28
H7	TRACEDATA2	LVC MOS33	26
E1	TRACEDATA3	LVC MOS33	24
D1	TRACEDATA4	LVC MOS33	22
C1	TRACEDATA5	LVC MOS33	20
B1	TRACEDATA6	LVC MOS33	18
A3	TRACEDATA7	LVC MOS33	16
D2	TRACEDATA8	LVC MOS33	37
C2	TRACEDATA9	LVC MOS33	35
C3	TRACEDATA1	LVC MOS33	33
B3	TRACEDATA11	LVC MOS33	31
C4	TRACEDATA12	LVC MOS33	29
B4	TRACEDATA13	LVC MOS33	27
E4	TRACEDATA14	LVC MOS33	25
D4	TRACEDATA15	LVC MOS33	23
E2	TRACECLKA	LVC MOS33	6
D6	TRACERTCK	LVC MOS33	13
E5	TRACEDBGRQ	LVC MOS33	7
E3	TRACEDBGACK	LVC MOS33	8
K8	TRACECTL	LVC MOS33	36
A2	TRACEEXTTRIG	LVC MOS33	10
A5	TRACETCK	LVC MOS33	15
F4	TRACETDI	LVC MOS33	19
D5	TRACETDO	LVC MOS33	11
B5	TRACETMS	LVC MOS33	17
F5	TRACETRST_B	LVC MOS33	21
F6	TRACESRST_B	LVC MOS33	9

For more information about managing the Zynq MPSoC extended MIO (EMIO) trace port connections, see the *Zynq UltraScale+ MPSoC Technical Reference Manual* (UG1085) [\[Ref 3\]](#).

Clock Generation

The ZCU106 board provides fixed and variable clock sources for the XCZU7EV MPSoC. [Table 3-12](#) lists the source devices for each clock.

Table 3-12: Clock Sources

Clock (Net) Name	Frequency	Clock Source
Fixed Frequency Clocks		
PS_REF_CLK	33.33 MHz	U69 SI5341B clock generator
CLK_74_25	74.25 MHz	
CLK_125	125 MHz	
GTR_REF_CLK_SATA	125 MHz	
GTR_REF_CLK_USB3	26 MHz	
GTR_REF_CLK_DP	27 MHz	
Programmable Frequency Clocks		
USER_SI570	300 MHz (default)	U42 SI570 I2C PROG. OSC.
USER_MGT_SI570	156.25 MHz (default)	U56 SI570 I2C PROG. OSC.
USER_MGT_SMA	User-Provided source	J79 (P)/J80 (N) SMA CONN.
HDMI_SI5324_OUT	Variable	U108 SI5319C clock recovery
SFP_SI5328_OUT	Variable	U20 SI5328B clock recovery

[Table 3-13](#) lists the source devices for each clock.

Table 3-13: Clock Connections, Source to XCZU7EV MPSoC

Clock Source Ref. Des. and Pin	Net Name	I/O Standard	XCZU7EV (U1) Pin
U69.59	PS_REF_CLK	(1)	R24
U69.45	CLK_125_P	LVDS_25	H9
U69.44	CLK_125_N	LVDS_25	G9
U69.51	CLK_74_25_P	LVDS_25	D15
U69.50	CLK_74_25_N	LVDS_25	D14
U69.35	GTR_REF_CLK_SATA_P	(2)	P27
U69.34	GTR_REF_CLK_SATA_N	(2)	P28
U69.31	GTR_REF_CLK_USB3_P	(2)	M27
U69.30	GTR_REF_CLK_USB3_N	(2)	M28
U69.24	GTR_REF_CLK_DP_P	(2)	M31
U69.23	GTR_REF_CLK_DP_N	(2)	M32
U42.4	USER_SI570_P	DIFF_SSTL12	AH12
U42.5	USER_SI570_N	DIFF_SSTL12	AJ12

Table 3-13: Clock Connections, Source to XCZU7EV MPSoC (Cont'd)

Clock Source Ref. Des. and Pin	Net Name	I/O Standard	XCZU7EV (U1) Pin
U56.4	USER_MGT_SI570_P	(2)	(1-to-2 CLOCK BUFFER) U51.6
U56.5	USER_MGT_SI570_N	(2)	(1-to-2 CLOCK BUFFER) U51.7
U51.11	USER_MGT_SI570_CLOCK1_P	(2)	U10
U51.12	USER_MGT_SI570_CLOCK1_N	(2)	U9
U51.13	USER_MGT_SI570_CLOCK2_P	(2)	R10
U51.14	USER_MGT_SI570_CLOCK2_N	(2)	R9
J79.1	USER_SMA_MGT_CLOCK_P	(2)	AA10
J80.1	USER_SMA_MGT_CLOCK_N	(2)	AA9
U108.28	HDMI_SI5324_OUT_P	(2)	AD8
U108.29	HDMI_SI5324_OUT_N	(2)	AD7
U20.28	SFP_SI5328_OUT_P	(2)	W10
U20.29	SFP_SI5328_OUT_N	(2)	W9

Notes:

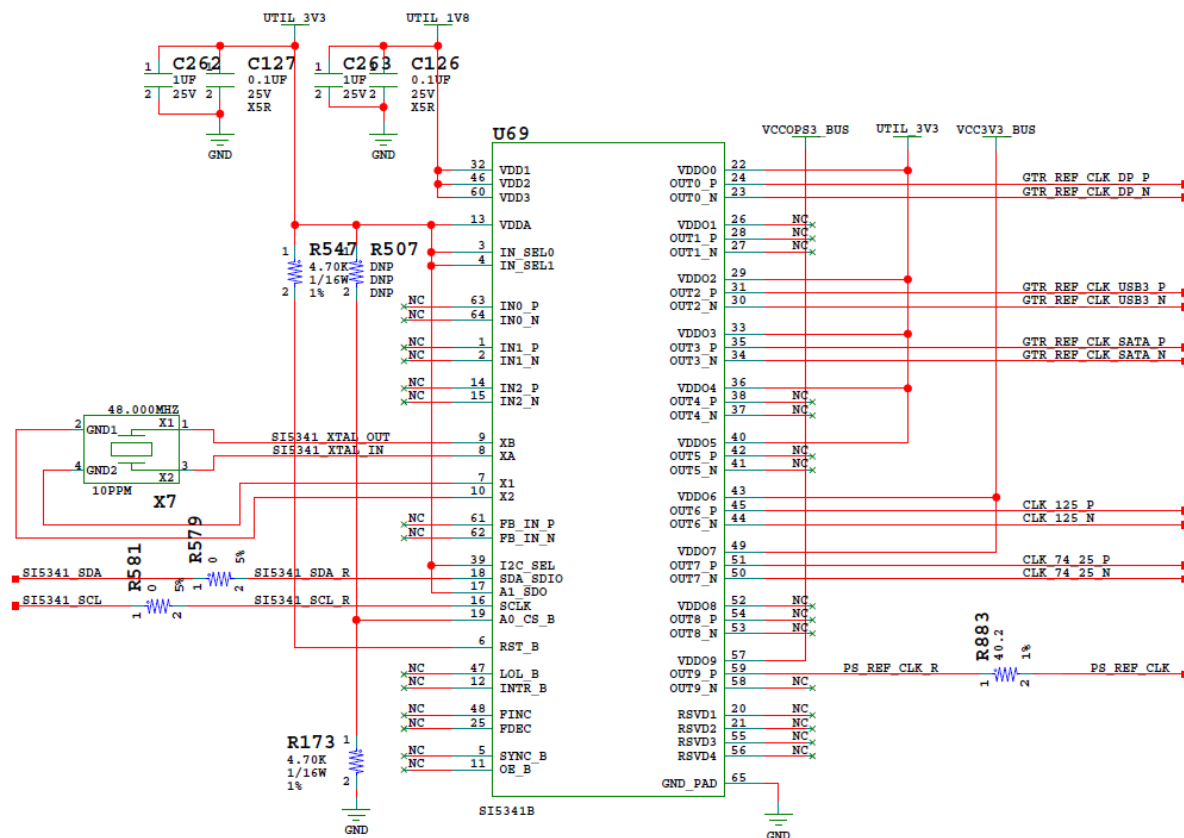
1. U1 XCZU7EV Bank 503 supports LVCMOS level inputs.
2. U1 MGT (I/O standards do not apply).

SI5341B 10 Independent Output Any-Frequency Clock Generator

[Figure 2-1, callout 8]

- Clock generator: Silicon Labs SI5341B-B05071-GM
- Jitter: <100 fs RMS typical
- Differential and single-ended outputs

The SI5341B (U69) is a one-time programmable clock source. For more details, see the SI5341B data sheet [Ref 19]. The clock circuit is shown in Figure 3-8.



X19007-050117

Figure 3-8: SI5341B Clock Generator

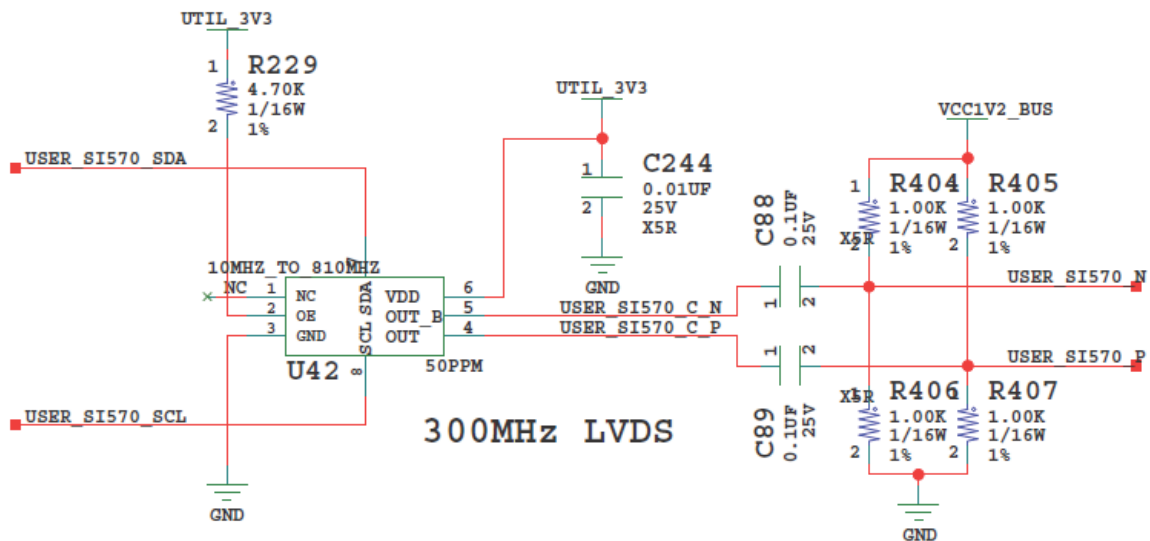
Programmable User Clock

[Figure 2-1, callout 9]

The ZCU106 board has an I2C programmable SI570 low-jitter 3.3V LVDS differential oscillator (U42) connected to the GC inputs of PL bank 66. This USER_SI570_P and USER_SI570_N clock signals are connected to XCZU7EV MPSoC U1 pins AH12 and AJ12, respectively. On power up, the user clock defaults to an output frequency of 300.000 MHz. User applications can change the output frequency within the range of 10 MHz to 810 MHz through an I2C interface. Power cycling the ZCU106 board reverts this user clock to the default frequency of 300.000 MHz.

This oscillator can be reprogrammed from MSP430 system controller U41 (see [TI MSP430 System Controller, page 116](#) for more information).

- Programmable oscillator: Silicon Labs Si570BAB001614DG (10 MHz-810 MHz, 300 MHz default)
- LVDS differential output
- Total stability: 61.5 ppm



X16526-052417

Figure 3-9: Programmable User Clock

Programmable User MGT Clock

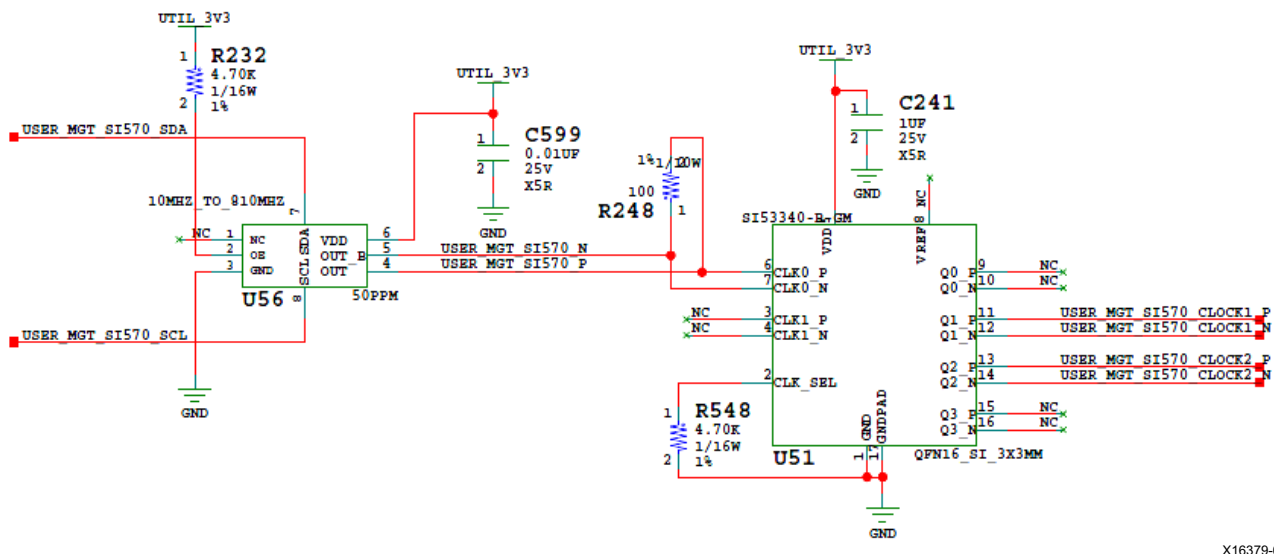
[Figure 2-1, callout 10]

The ZCU106 board has a programmable low-jitter 3.3V LVDS Si570 differential oscillator (U56) connected to a 1-to-2 Si53340 clock driver (U51). On power up, the user clock defaults to an output frequency of 156.250 MHz. User applications can change the output frequency within the range of 10 MHz to 810 MHz through an I2C interface. Power cycling the ZCU106 board reverts this user clock to the default frequency of 156.250 MHz.

This oscillator can be reprogrammed from MSP430 system controller U41 (see [TI MSP430 System Controller, page 116](#) for more information).

- Programmable oscillator: Silicon Labs Si570BAB000544DG (10 MHz-810 MHz, 156.250 MHz default)
- LVDS differential output
- Total stability: 61.5 ppm

The user clock MGT circuit is shown in [Figure 3-10](#). The Silicon Labs Si570 and Si53340 data sheets are available on the Silicon Labs website [\[Ref 19\]](#).



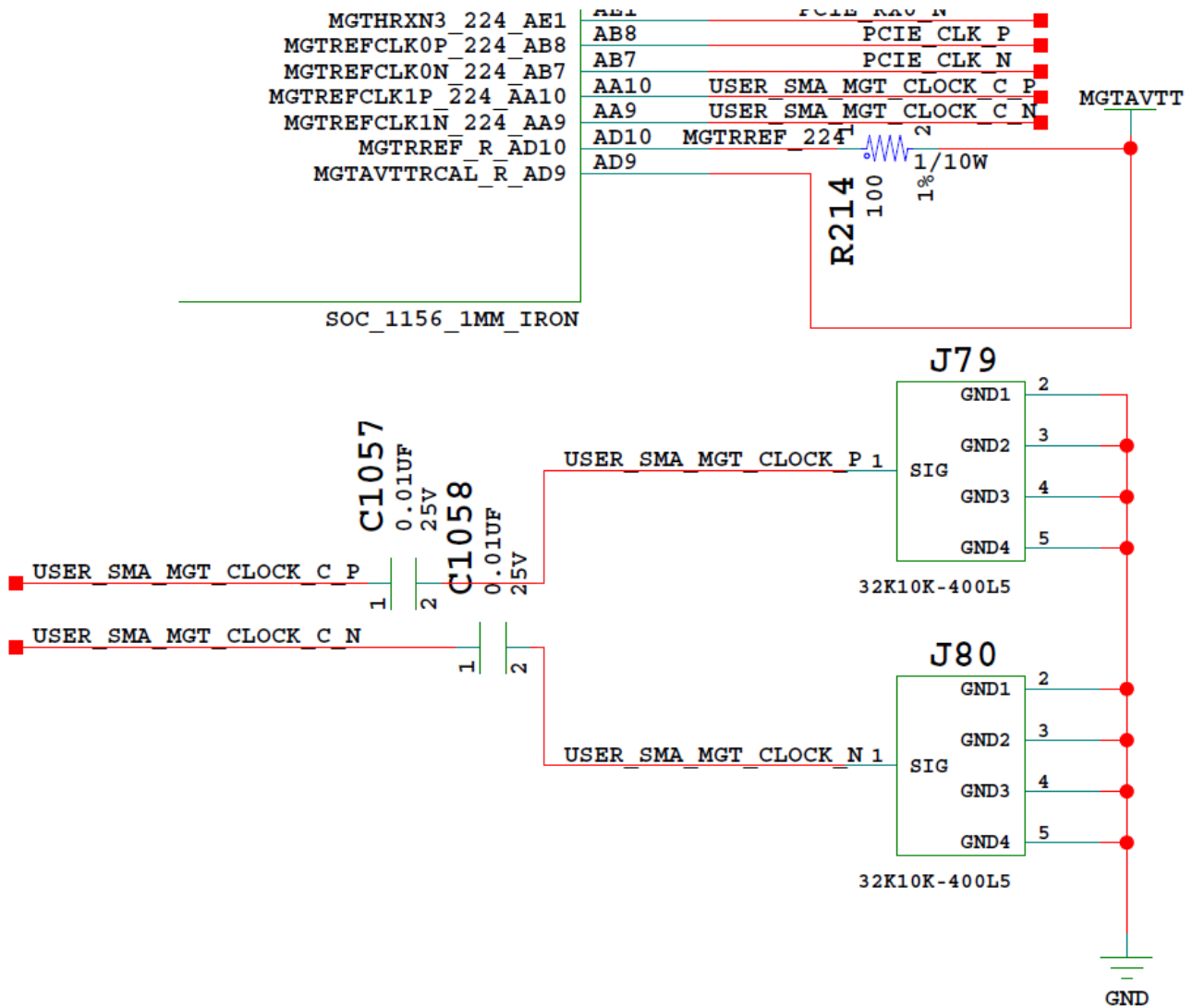
X16379-050117

Figure 3-10: Programmable User MGT Clock

User SMA MGT Clock

[Figure 2-1, callout 48]

The ZCU106 board provides a pair of SMAs for differential AC coupled user MGT clock input into FPGA U1 MGTH bank 224. This differential signal pair is series-capacitor coupled. The P-side SMA J79 signal USER_SMA_MGT_CLOCK_P is connected to U1 MGTREFCLK1P pin AA10. The N-side SMA J80 signal USER_SMA_MGT_CLOCK_N connected to U1 MGTREFCLK1N pin AA9. The user SMA MGT clock circuit is shown in Figure 3-11.



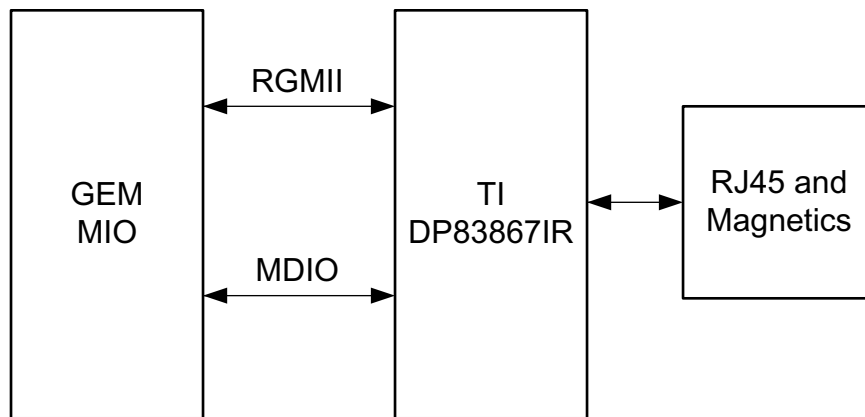
X19187-050117

Figure 3-11: User SMA MGT Clock

GEM3 Ethernet (MIO 64-77)

[Figure 2-1, callout 12]

The PS-side Gigabit Ethernet MAC (GEM) implements a 10/100/1000 Mb/s Ethernet interface (see Figure 3-12), which connects to a TI DP83867IRPAP Ethernet RGMII PHY before being routed to an RJ45 Ethernet connector. The RGMII Ethernet PHY is boot strapped to PHY address 5'b01100 (0x0C) and Auto Negotiation is set to Enable. Communication with the device is covered in the DP83867 RGMII PHY data sheet [Ref 20].



X16527-050117

Figure 3-12: Ethernet Block Diagram

10/100/1000 MHz Tri-Speed Ethernet PHY

[Figure 2-1, callout 12]

The ZCU106 board uses the TIDP83867IRPAP Ethernet RGMII PHY [Ref 20] (U98) for Ethernet communications at 10 Mb/s, 100 Mb/s, or 1000 Mb/s. The board supports RGMII mode only. The PHY connection to a user-provided Ethernet cable is through a Würth 7499111221A RJ-45 connector (P12) with built-in magnetics.

The Ethernet connections from XCZU7EV MPSoC U1 to the DP83867IRPAP PHY device at U98 are listed in Table 3-14.

Table 3-14: DP83867 PHY Connections to XCZU7EV MPSoC

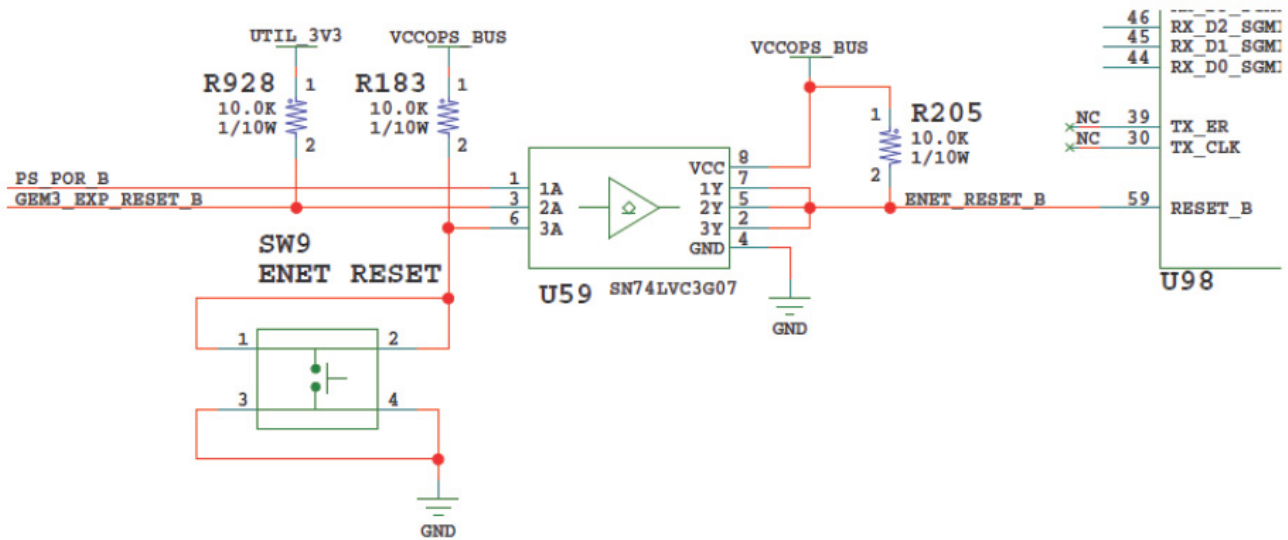
XCZU7EV (U1) Pin	Net Name	DP83867 PHY U98	
		Pin #	Pin Name
J31	MIO64_ENET_TX_CLK	40	GTX_CLK
J32	MIO65_ENET_TX_D0	38	TX_DO
J34	MIO66_ENET_TX_D1	37	TX_D1
K28	MIO67_ENET_TX_D2	36	TX_D2

Table 3-14: DP83867 PHY Connections to XCZU7EV MPSoC (Cont'd)

XCZU7EV (U1) Pin	Net Name	DP83867 PHY U98	
		Pin #	Pin Name
K29	MIO68_ENET_TX_D3	35	TX_D3
K30	MIO69_ENET_TX_CTRL	52	TX_EN_TX_CTRL
K31	MIO70_ENET_RX_CLK	43	RX_CLK
K32	MIO71_ENET_RX_D0	44	RX_D0
K33	MIO72_ENET_RX_D1	45	RX_D1
K34	MIO73_ENET_RX_D2	46	RX_D2
L29	MIO74_ENET_RX_D3	47	RX_D3
L30	MIO75_ENET_RX_CTRL	53	RX_DV_RX_CTRL
L33	MIO76_ENET_MDC	20	MDC
L34	MIO77_ENET_MDIO	21	MDIO

Ethernet PHY Reset

The DP83867IRPAP PHY U98 reset circuit is shown in Figure 3-13. The DP83867IRPAP can be reset by the SW9 pushbutton (U59.6), the MAX16025 U22 MPSoC PS-side POR reset device (U59.1), or the I2C0 connected U97 TCA6416A I/O expander port P06 pin 10 (U59.3).



X19174-052417

Figure 3-13: Ethernet PHY Reset Circuit

Ethernet PHY LED Interface

[Figure 2-1, callout 12]

The DP83867IRPAP PHY U98 LED interface (LED_0, LED_2) uses the two LEDs embedded in the P12 RJ45 connector bezel. LED_1 is LED DS27, which is located on the top of the board just above the P12 Ethernet RJ45 connector (item 12 in Table 2-1). The LED functional description is listed in Table 3-15.

Table 3-15: Ethernet PHY LED Functional Description

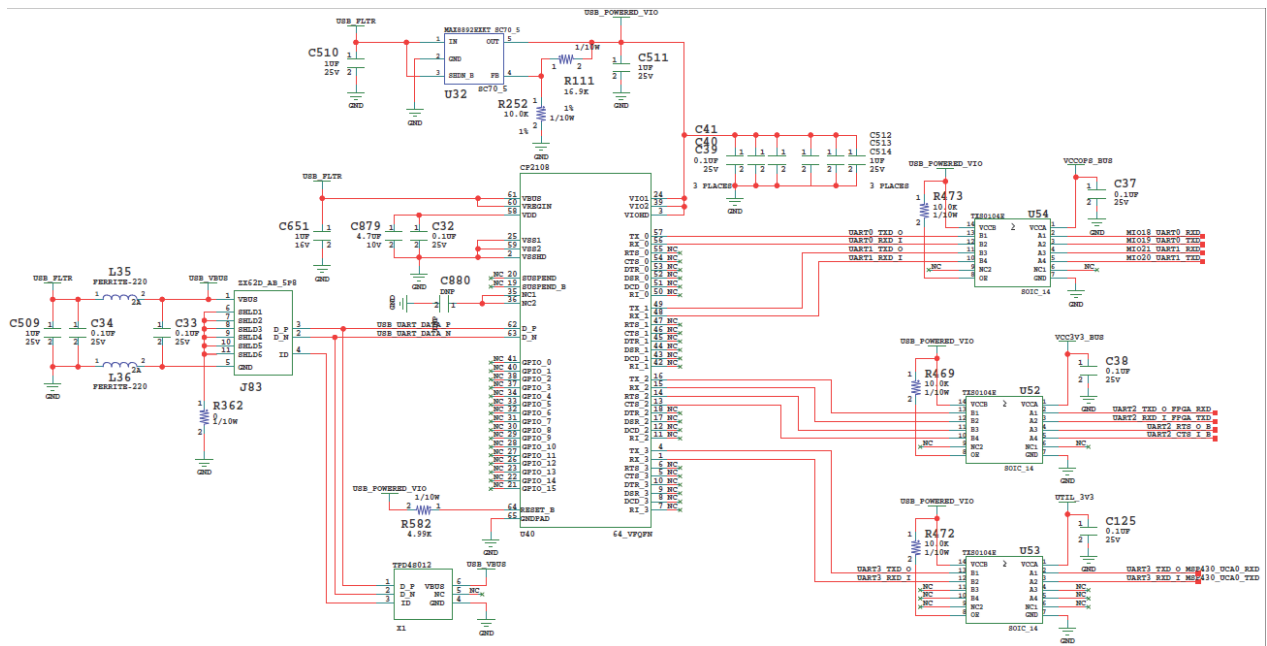
Pin		Type	Description
Name	Number		
LED_2	61	S, I/O, PD	By default, this pin indicates receive or transmit activity. Additional functionality is configurable using LEDCR1[11:8] register bits. Note: This pin is a strap configuration pin for RGZ devices only.
LED_1	62	S, I/O, PD	By default, this pin indicates that 100BASE-T link is established. Additional functionality is configurable using LEDCR1[7:4] register bits.
LED_0	63	S, I/O, PD	By default, this pin indicates that link is established. Additional functionality is configurable using LEDCR1[3:0] register bits.

The LED functions can be re-purposed with a LEDCR1 register write available via the PHY's management data interface, MDIO/MDC. LED_2 is assigned to the activity indicator (ACT) and LED_0 indicates link established. For more Ethernet PHY details, see the TI DS83867 data sheet [Ref 20].

CP2108 USB UART Interface

[Figure 2-1, callout 13]

The CP2108 quad USB-UART on the ZCU106 board provides four level-shifted UART connections through single micro-B USB connector J83. Channel 0 and 1 are PS-side MIO connections described in the [UART0 \(MIO 18-19\)](#) section. Channel 2 is a PL-side connection and Channel 3 is connected to MSP430 system controller U41. The USB UART interface circuit is shown in [Figure 3-14](#). The Silicon Labs CP2108 data sheet is available on the Silicon Labs website [\[Ref 19\]](#).

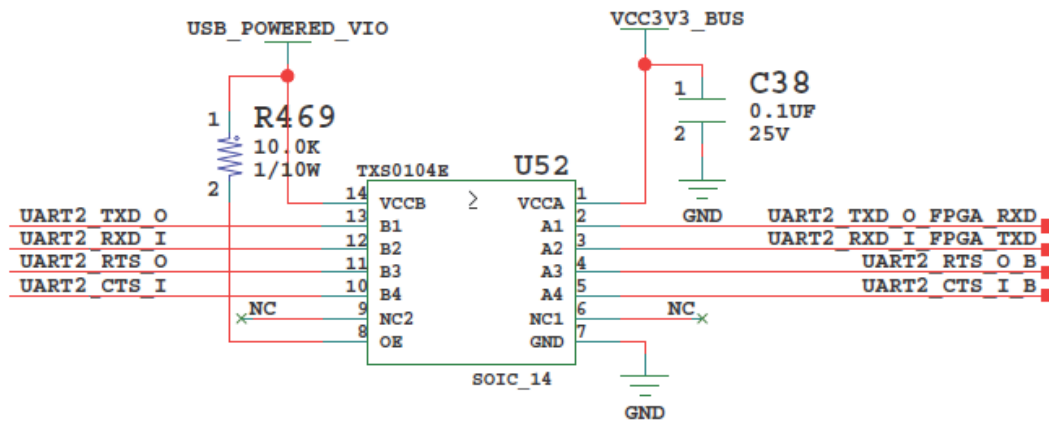


X16529-050117

Figure 3-14: USB UART Interface

CP2108 Channel 2 PL-Side UART Interface

The CP2108 channel 2 bank 64 PL-side UART interface circuit is shown in Figure 3-15. The connections from XCZU7EV MPSoC U1 to CP2108 U40 via TSX0104E level shifter U52 are listed in Table 3-16.



X19177-050117

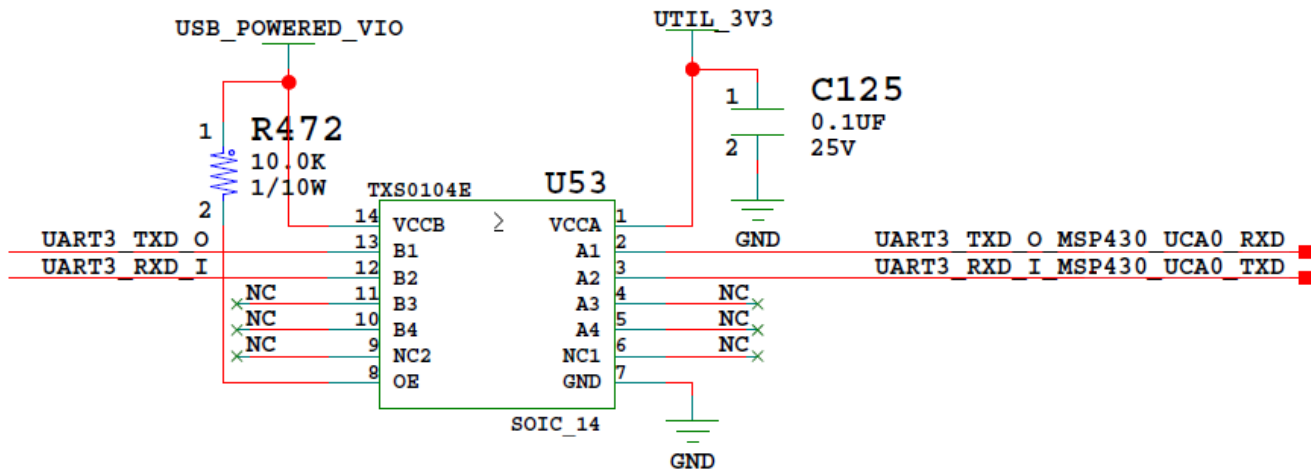
Figure 3-15: PL-Side USB UART Interface

Table 3-16: XCZU7EV U1 to CP2108 U40 Connections via L/S U52

XCZU7EV (U1) Pin	Net Name	CP2108 U40	
		Pin Name	Pin #
AH17	UART2_TXD_O_FPGA_RXD	TX_2	16
AL17	UART2_RXD_I_FPGA_TXD	RX_2	15
AM15	UART2_RTS_O_B	RTS_2	14
AP17	UART2_RTS_I_B	CTS_2	13

CP2108 Channel 3 MSP430 UART Interface

The CP2108 channel 3 MSP430 UART interface circuit is shown in Figure 3-16. The connections from MSP430 U41 to CP2108 U40 via TSX0104E level shifter U53 are listed in Table 3-17.



X19175-050117

Figure 3-16: MSP430 USB UART Interface

Table 3-17: MSP430 U41 to CP2108 U40 Connections via L/S U53

MSP430 U41		Net Name	CP2108 U40	
Pin Name	Pin #		Pin Name	Pin #
P3_3	26	UART3_TXD_O_MSP430_UCA0_RXD	TX_3	4
P3_3	25	UART3_RXD_I_MSP430_UCA0_TXD	RX_3	1

GPIO (MIO 13, 38)

These two GPIO bits are connected to the U41 MSP430 system controller for general purpose signaling or communications between the Zynq UltraScale+ MPSoC device and the MSP430 system controller. These signals are level-shifted by TSX0108E U141. The connections between the U41 system controller and the XCZU7EV MPSoC are listed in [Table 3-18](#).

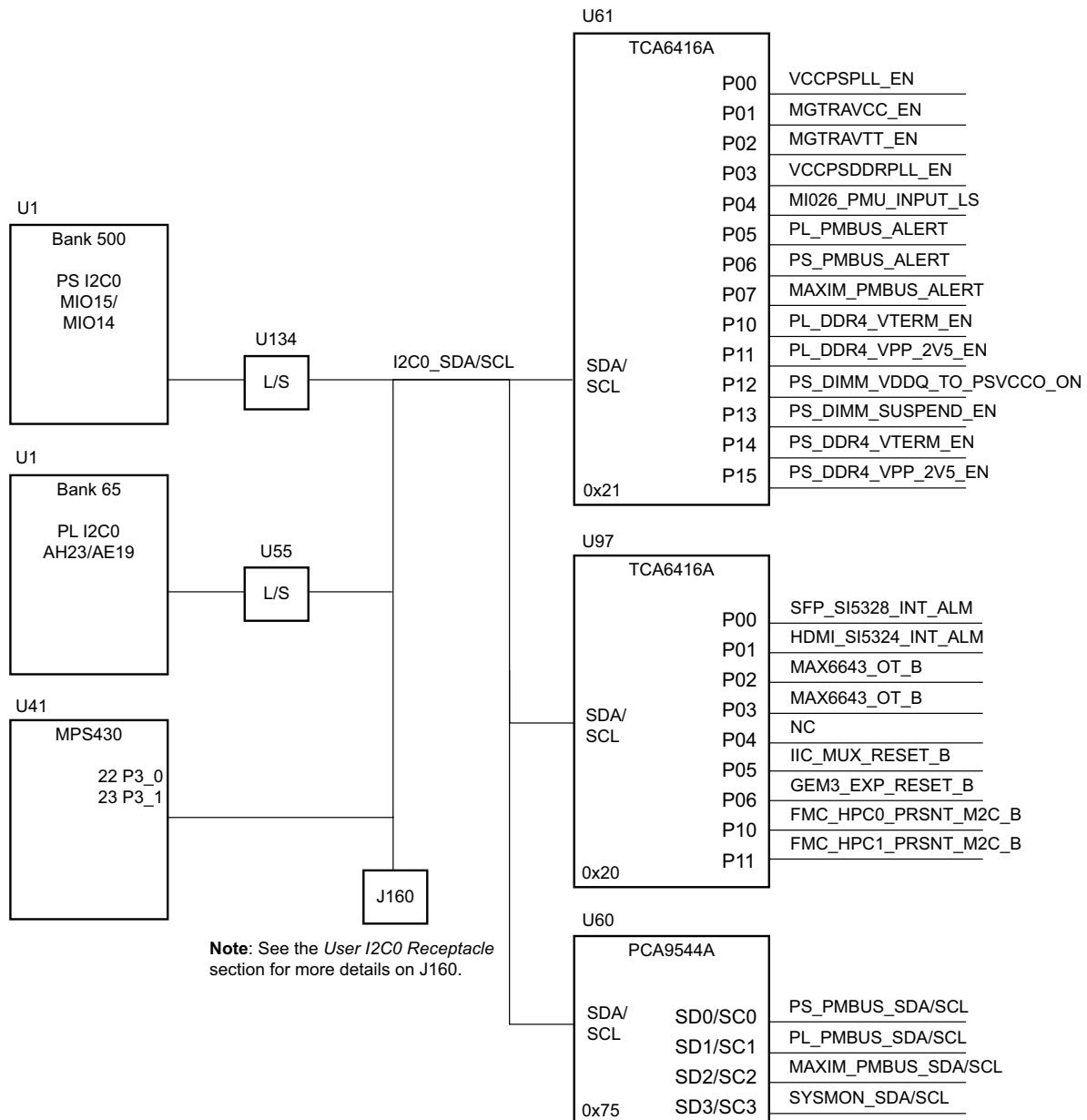
Table 3-18: System Controller U41 GPIO Connections to XCZU7EV U1

XCZU7EV (U1) Pin	Net Name	MSP430 U41	
		Pin Name	Pin #
AH17	MIO13_PS_GPIO2	20	P1_7
AL17	MIO38_PS_GPIO1	19	P1_6

I2C0 (MIO 14-15)

I2C0 connects to MPSoC U1 PS bank 500 and PL bank 65, and to system controller U41, as shown in [Figure 3-18](#). I2C0 connects to two GPIO 16-bit port expanders (TCA6416A U61 and U97) and an I2C multiplexer (PCA9544A U60) for controlling resets and power system enable pins, and accepting various alarm inputs without requiring the PL-side to be configured. TCA6416A U97 is pin-strapped to respond to I2C address 0x20, and U61 to 0x21. The PCA9544A U60 multiplexer is set to 0x75.

The I2C0 bus also provides access to the PMBus power controllers and PS-side and PL-side INA226 power monitors via the U60 PCA9544A multiplexer. All PMBus controlled Maxim regulators are tied to the MAXIM_PMBUS, while the INA226 power monitors are separated on to PS_PMBUS and PL_PMBUS. [Figure 3-17](#) shows the I2C0 bus topology. [Table 3-19](#) lists the I2C0 port expander TCA6416A U61 connections and [Table 3-20](#) lists the TCA6416A U97 connections. The devices on each bus of the I2C0 multiplexer U60 are identified in [Table 3-21](#) and the multiplexer bus connections are listed in [Table 3-22](#).



X19176-083017

Figure 3-17: I2C0 Bus Topology

Table 3-19: I2C0 Port Expander TCA6416A U61 Connections

TCA6416A U61		Schematic Net Name	Connected To			
Pin Name	Pin No.		Pin Name	Pin No.	Reference Designator	Device
SDA	23	I2C0_SDA	See connections shown in Figure 3-17 . TCA6416A U61 Addr. 0x21			
SCL	22	I2C0_SCL				
P00	4	VCCPSPLL_EN	2	B	U140	SN74LVC1G08 enable gate for respective power rail
P01	5	MGTRAVCC_EN	2	B	U112	
P02	6	MGTRAVTT_EN	2	B	U130	
P03	7	VCCPSDDRPLL_EN	2	B	U142	
P04	8	MIO26_PMU_INPUT_LS	4	B	U147	SN74AVC1T45
P05	9	PL_PMBUS_ALERT	3	ALERT	U16,U65,U74, U75,U79,U80, U81,U84	INA226 OP AMPS
P06	10	PS_PMBUS_ALERT	3	ALERT	U15,U76,U77,U78,U 87,U85,U86,U88, U92,U93	INA226 OP AMPS
P07	11	MAXIM_PMBUS_ALERT	9,11,13	ALERT	J84.7,U4,U8,U7 U9,U10,U13,U18, U46,U47,U49,U63, U95,U96	MAX15301:9, MAX15303:11, MAX20751:13
P10	13	PL_DDR4_VTERM_EN	7	EN	U35	TPS51200
P11	14	PL_DDR4_VPP_2V5_EN	5	EN	U38	MAX15027
P12	15	PS_DIMM_VDDQ_TO_PSVCCO_ON	C2	ON	U57	TPS22924
P13	16	PS_DIMM_SUSPEND_EN	1	A	U26	OR-GATE
P14	17	PS_DDR4_VTERM_EN	7	EN	U36	TPS51200
P15	18	PS_DDR4_VPP_2V5_EN	5	EN	U39	MAX15027

Table 3-20: I2C0 Port Expander TCA6416A U97 Connections

TCA6416A U97		Schematic Net Name	Connected To			
Pin Name	Pin No.		Pin #	Pin Name	Reference Designator	Device
SDA	23	I2C0_SDA	See connections shown in Figure 3-17 . TCA6416A U97 Addr. 0x20			
SCL	22	I2C0_SCL				
P00	4	SFP_SI5328_INT_ALM	3	INT_C1B	U20	SI5328B
P01	5	HDMI_SI5324_INT_ALM	3	INT_C1B	U108	SI5319C
P02	6	MAX6643_OT_B	9	OT_B	U128	MAX6643
P03	7	MAX6643_FANFAIL_B	4	FANFAIL_B	U128	MAX6643
P05	9	IIC_MUX_RESET_B	3	RESET_B	U34,U135	TCA9548A
P06	10	GEM3_EXP_RESET_B	3	2A	U59	SN74LVC3G07
P10	13	FMC_HPC0_PRSNT_M2C_B	4	OE	U27,J5.H2	NC7SZ66,FMC0
P11	14	FMC_HPC1_PRSNT_M2C_B	4	OE	U24,J4.H2	NC7SZ66,FMC1

Table 3-21: I2C0 Multiplexer PCA9544A U60 Address 0x75 Connections

U60 I2C Mux Port	MUX'd I2C Bus	Reference Designator	Device
0	PS_PMBUS	U76,U77,U78,U87,U85,U86,U93,U88,U15,U92	INA226 Power monitor
1	PL_PMBUS	U79,U81,U80,U84,U16,U65,U74,U75	INA226 Power monitor
2	MAXIM_PMBUS	J84.3,U47,U7,U6,U10,U9,U63,U95,U96,U46,U4,U18,U13,U49,U8	PMBus connector, voltage regulators
3	SYSMON	U135,U1	I2C1 MUX, MPSoC

Note: The PS_PMBUS and PL_PMBUS INA226 power monitor device I2C addresses are listed in [Table 3-22](#). The MAXIM_PMBUS power system device I2C addresses are listed in [Table 3-22](#) and [Table 3-53](#).

Table 3-22: I2C0 U60 Address 0x75 MUX Target Bus Connections

Reference Designator	Address	Device
PS_PMBUS (U60 Port 0)		
U76	0x40	INA226 VCCPSINTFP
U77	0x41	INA226 VCCPSINTLP
U78	0x42	INA226 VCCPSAUX
U87	0x43	INA226 VCCPSPLL
U85	0x44	INA226 MGTRAVCC
U86	0x45	INA226 MGTRAVTT
U93	0x46	INA226 VCCO_PSDDR_504
U88	0x47	INA226 VCCOPS
U15	0x4A	INA226 VCCOPS3
U92	0x4B	INA226 VCCPSDDRPLL
PL_PMBUS (U60 Port 1)		
U79	0x40	INA226 VCCINT
U81	0x41	INA226 VCCBRAM
U80	0x42	INA226 VCCAUX
U84	0x43	INA226 VCC1V2
U16	0x44	INA226 VCC3V3
U65	0x45	INA226 VADJ_FMC
U74	0x46	INA226 MGTA VCC
U75	0x47	INA226 MGTA VTT
MAXIM_PMBUS (U60 Port 2)		
J84	NA	PMBUS CONN. SDA PIN 3/SCL PIN 1
U47	0x13	MAX15301 VCCINT
U7	0x14	MAX15303 VCCBRAM
U6	0x15	MAX15303 VCCAUX
U10	0x16	MAX15303 VCC1V2
U9	0x17	MAX15303 VCC3V3
U63	0x18	MAX15301 VADJ_FMC
U95	0x72	MAX20751 MGTA VCC
U96	0x73	MAX20751 MGTA VCC
U46	0x0A	MAX15301 VCCPSINTFP
U4	0x0B	MAX15303 VCCPSINTLP
U18	0x1D	MAX15303 DDR4_DIMM_VDDQ
U13	0x10	MAX15303 VCCOPS

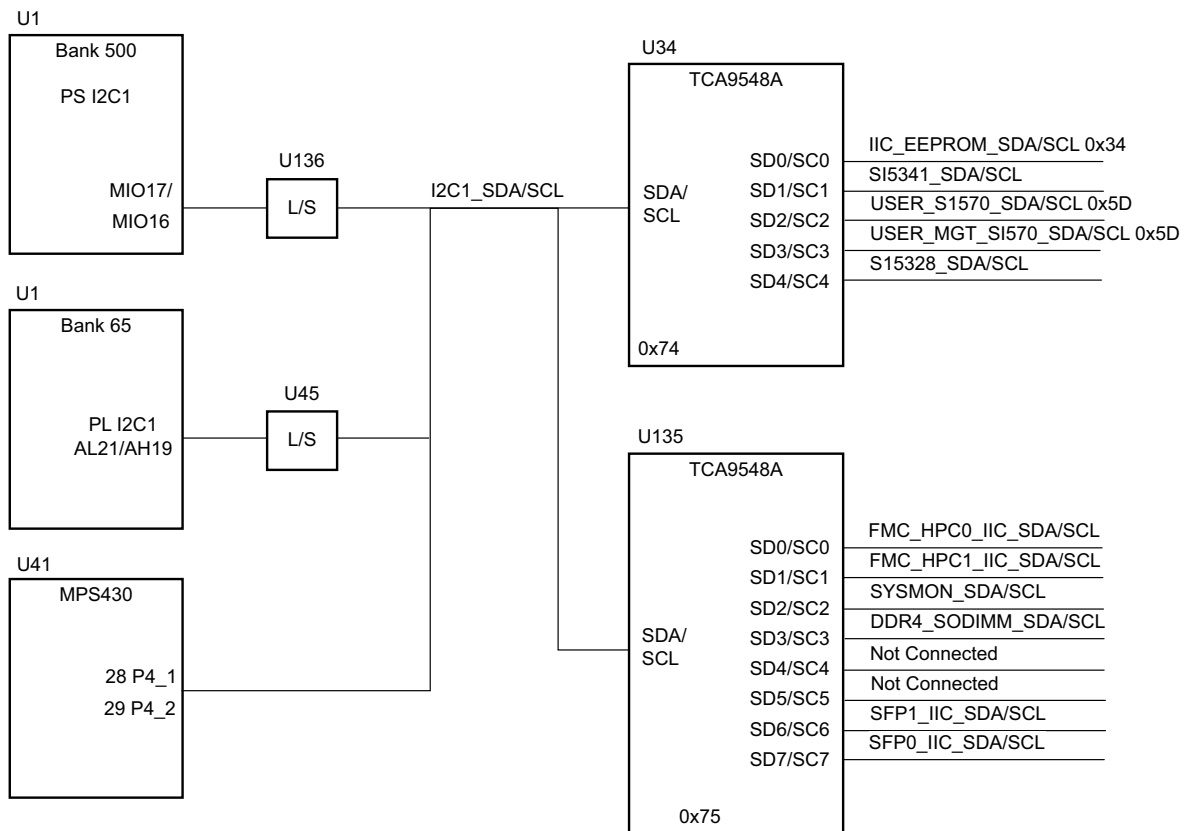
Table 3-22: I2C0 U60 Address 0x75 MUX Target Bus Connections (Cont'd)

Reference Designator	Address	Device
U49	0x1A	MAX15301 UTIL_3V3
U8	0x1B	MAX15303 UTIL_5V0
SYSMON_SDA/SCL (U60 Port 3) (level-shifted via U137)		
U1	0x32	U1 BANK 28 B20/A22

I2C1 (MIO 16-17)

The PS-side I2C1 interface provides access to I2C peripherals through a set of I2C switches. The I2C1 PS-side connection is shared with the PL-side and the system controller.

Figure 3-18 shows a high-level view of the I2C1 bus connectivity represented in Table 3-23 and Table 3-24. TCA9548A U34 is set to 0x74 and TCA9548A U135 is set to 0x75.



X19319-052417

Figure 3-18: I2C1 Bus Topology

Table 3-23: I2C1 TCA9548A U34 Multiplexer Connections

U34 I2C1 Mux (Addr 0x74) Port	I2C1 Bus Device	Target Device Address
0	EEPROM U23	0X34
1	Si5341 clock U69	0X36
2	USER Si570 clock U42	0X5D
3	USER MGT Si570 clock U56	0X5D
4	Si5328 (clock recovery) U20	0X68
5	No connection	NA
6	No connection	NA
7	No connection	NA

Table 3-24: I2C1 TCA9548A U135 Multiplexer Connections

U135 I2C1 Mux (Addr 0x75) Port	I2C1 Bus Device	Target Device Address
0	FMC HPC0 J5	0X##
1	FMC HPC1 J4	0X##
2	SYSMON U1 bank 28	0X32
3	DDR4 SODIMM SKT. J1	0X51
4	No connection	NA
5	No connection	NA
6	SFP1 P2	0X50
7	SFP0 P1	0X50

UART0 (MIO 18-19)

This is the primary Zynq UltraScale+ MPSoC PS-side UART interface and is connected to the U40 CP2108 USB-to-Quad-UART bridge with port assignments as listed in [Table 3-25](#). PS-side UART0 is accessed through the U40 CP2108 USB-to-Quad-UART bridge port 0. The CP2108 channel 0 PS-side UART interface circuit is shown in [Figure 3-19](#). The connections from XCZU7EV U1 to CP2108 U40 via L/S U54 are listed in [Table 3-26](#).



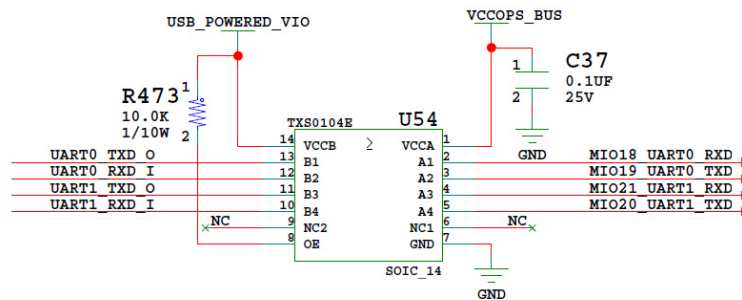
IMPORTANT: Use SiLabs CP210X VCP driver version 6.7.0 or later for proper USB enumeration as identified in [Table 3-27](#).

Table 3-25: CP2108 UART Assignments

CP2108 U40	Zynq UltraScale+ MPSoC
UART0	PS_UART0 (MIO 18-19)
UART1	PS_UART1 (MIO 20-21)
UART2	PL-UART (HD bank 64)
UART3	U41 system controller UART

UART1 (MIO 20-21)

PS-side UART1 is accessed through the U40 CP2108 USB-to-Quad-UART bridge port 1. The CP2108 channel 1 PS-side UART interface circuit is shown in [Figure 3-19](#). The connections from XCZU7EV U1 to CP2108 U40 via L/S U54 are listed in [Table 3-26](#).



X16374-050117

Figure 3-19: CP2108 Channels 0 and 1 PS-Side UART Interface

Table 3-26: XCZU7EV U1 PS-Side to CP2108 U40 Connections via L/S U54

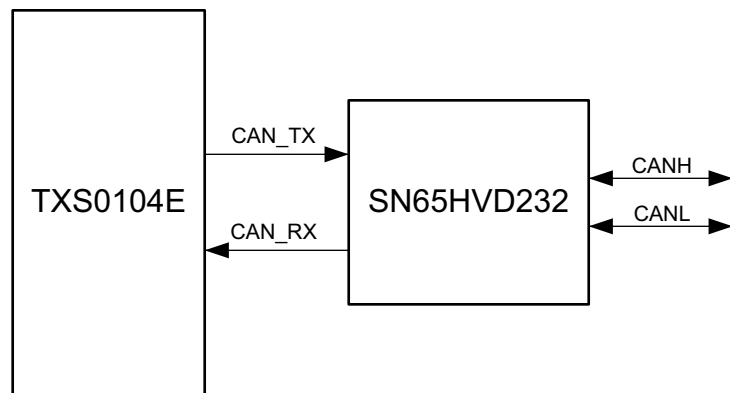
XCZU7EV U1		Net Name	CP2108 U40	
Pin Name	Pin #	Net Name	Pin Name	Pin #
PS_MIO18	F27	MIO18_UART0_RXD	TX_0	57
PS_MIO19	B28	MIO19_UART0_TXD	RX_0	56
PS_MIO21	C28	MIO21_UART1_RXD	TX_1	49
PS_MIO20	E29	MIO20_UART1_TXD	RX_1	48

GPIO (MIO 22-23)

PS-side pushbutton SW19 is connected to MIO22 (pin U1.F28). PS-side LED DS50, physically placed adjacent to the pushbutton, is connected to MIO23 (pin U1.B29).

CAN1 (MIO 24-25)

The PS-side CAN bus TX and RX MIO nets are wired through TXS0104E level-translator U33 and TI SN65HVD232 CAN-bus transceiver U122 to the 0.1 in pitch 8-pin male header J98 (see Figure 3-20 and Figure 3-21).



X16533-050117

Figure 3-20: PS-Side CAN Bus Interface Diagram

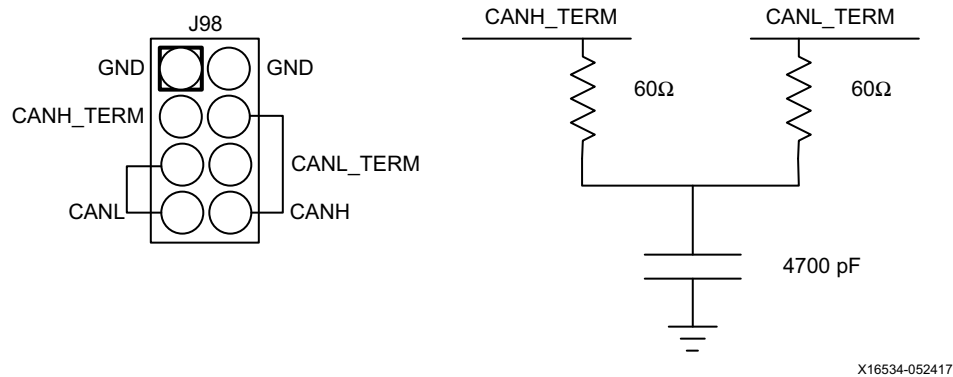


Figure 3-21: PS-Side CAN Bus Interface Connector

Platform Management Unit GPI (MIO 26)

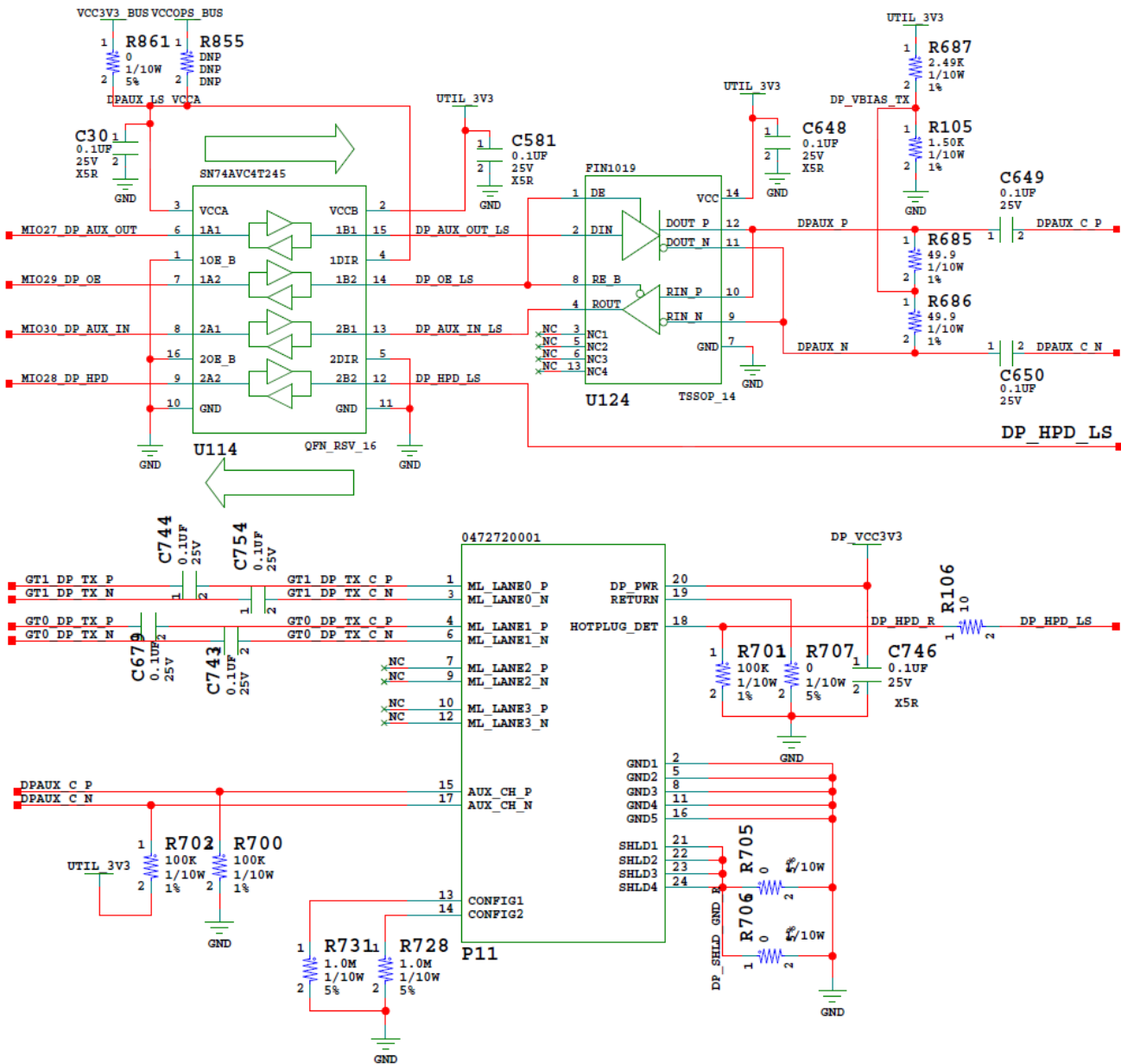
PS-side MIO 26 is reserved as an input to the platform management unit (PMU) for indicating a warm boot. PS bank 501 MIO26 (U1.A29) is connected to the I2C0 U61 TCA6416APWR bus expander (port P04 U61.8) through L/S U147 SN74AVC1T45. See the *Zynq UltraScale+ MPSoC Technical Reference Manual (UG1085)* [Ref 3] for more details on the PMU interface.

DisplayPort DPAUX (MIO 27-30)

The Zynq UltraScale+ MPSoC provides a VESA DisplayPort 1.2 source-only controller that supports up to two lanes of main link data at rates of 1.62 Gb/s, 2.70 Gb/s, or 5.40 Gb/s. The DisplayPort standard defines an auxiliary channel that uses LVDS signaling at a 1 Mb/s data rate, which is translated from single-ended MIO signals to the differential DisplayPort AUX channel, DPAUX (see Table 3-27). The DisplayPort circuit is shown in Figure 3-22.

Table 3-27: DPAUX/MIO Connections

XCZU7EV (U1) Pin	Net Name	Level Shifter U114	
		Pin Name	Pin #
A33	MIO30_DP_AUX_IN	2A1	8
A32	MIO29_DP_OE	1A2	7
A31	MIO28_DP_HPD	2A2	9
A30	MIO27_DP_AUX_OUT	1A1	6



X16547-0501

Figure 3-22: DisplayPort Circuit

PMU GPO (MIO 32-37)

The PMU within the Zynq UltraScale+ MPSoC signals power domain changes using the PMU output pins for deep-sleep mode. The Zynq UltraScale+ MPSoC PMU GPO pins are connected to inputs of the MSP430 system controller via TXS0108E level-shifter U141. The connections from MPSoC U1 bank 501 to MSP430 U41 are listed in [Table 3-28](#).

Table 3-28: XCZU7EV U1 to MSP430 Connections

XCZU7EV (U1) Pin	Net Name	MSP430 U41	
		Pin Name	Pin #
C33	MIO37_PMU_GPO5	P1_0	13
C32	MIO36_PMU_GPO4	P1_1	14
C31	MIO35_PMU_GPO3	P1_2	15
B34	MIO34_PMU_GPO2	P1_3	16
B33	MIO33_PMU_GPO1	P1_4	17
B31	MIO32_PMU_GPO0	P1_5	18

Through the I2C0 bus MPSoC MIO pins, the PMU has access to the board power controllers and power monitors. See [Figure 3-17, page 61](#) for more details.

See the *Zynq UltraScale+ MPSoC Technical Reference Manual* (UG1085) [\[Ref 3\]](#) for more details about the PMU interface.

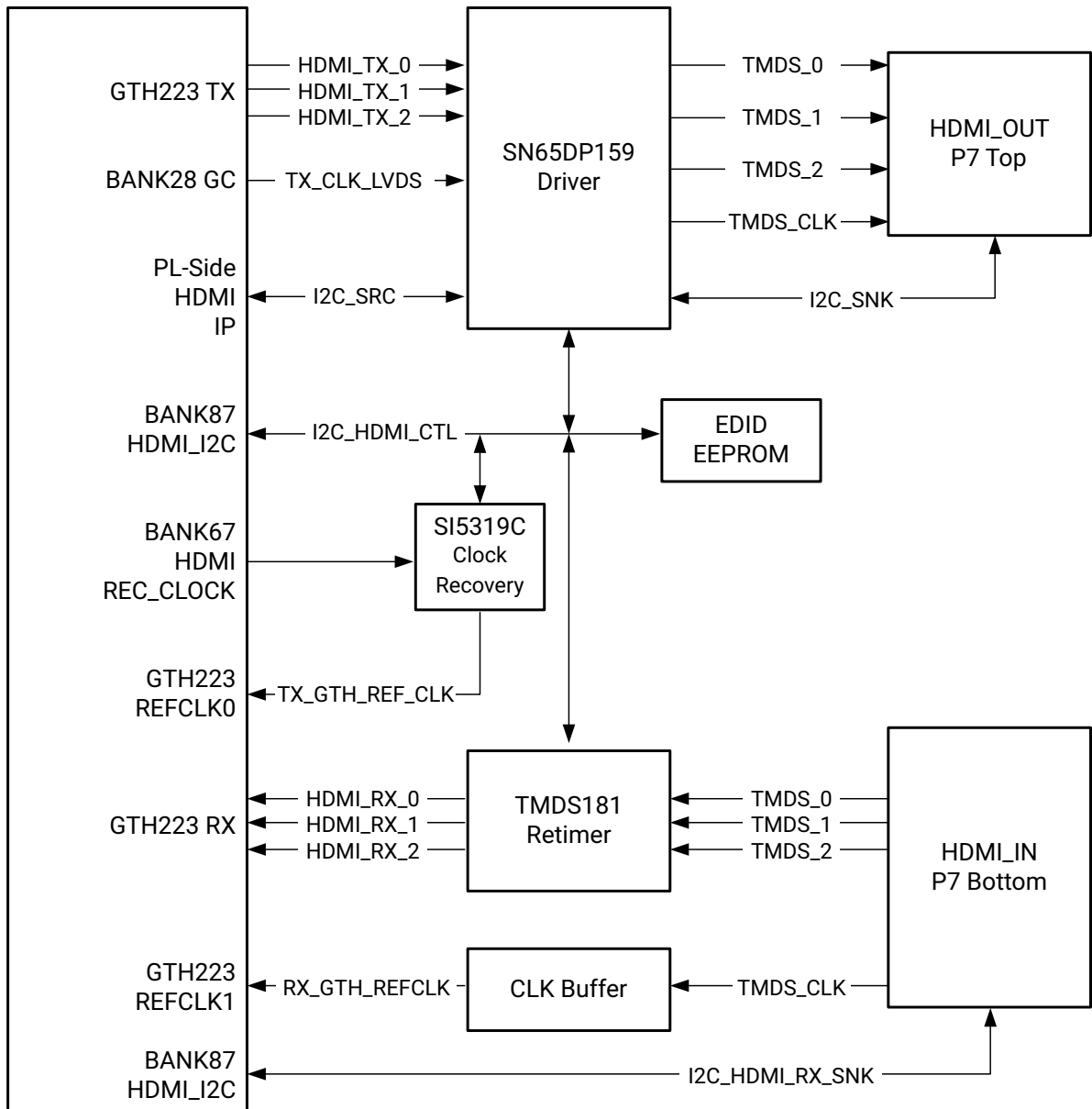
HDMI Video Output

[\[Figure 2-1, callout 14\]](#)

The ZCU106 board provides an HDMI® video output using a TI SN65DP159RGZ re-timer at U94. The output is provided on a TE Connectivity 1888811-1 right-angle dual-stacked HDMI type-A receptacle at P7. The SN65DP159RGZ device is a dual mode DisplayPort to transition-minimized differential signal (TMDS) re-timer supporting digital video interface (DVI) 1.0, HDMI 1.4b, and 2.0 output signals.

The SN65DP159RGZ device supports the dual mode standard version 1.1 type 1 and type 2 through the digital down converter (DDC) link or AUX channel. The SN65DP159RGZ device supports data rates up to 6 Gb/s per data lane to support Ultra HD (4K x 2K/60 Hz) 8-bits per color high-resolution video and HDTV with 16-bit color depth at 1080p (1920 x 1080/60 Hz). The SN65DP159RGZ device can automatically configure itself as a re-driver at data rates < 1 Gb/s, or as a re-timer at more than this data rate. This feature can be turned off with I2C programming.

The HDMI block diagram, the TX interface circuit, and the RX interface circuit are shown in Figure 3-23, Figure 3-24, and Figure 3-25, respectively. The XCZU7EV MPSoC U1 to HDMI circuit connections are listed in Table 3-29.



X23093-080819

Figure 3-23: HDMI Interface Block Diagram

Table 3-29: HDMI Connections to FPGA U1 (Cont'd)

XCZU7EV (U1) Pin	Schematic Net Name	I/O Standard	Connected Component		
			Pin	Name	Device
G8	HDMI_SI5324_LOL	LVC MOS33	18	LOL	SI5324C (U108)
H8	HDMI_SI5324_RST	LVC MOS33	1	RST_B	
G14	HDMI_REC_CLOCK_C_P	LVDS	16	CKIN1_P	
F13	HDMI_REC_CLOCK_C_N	LVDS	17	CKIN1_N	
AD8	HDMI_SI5324_OUT_C_P	(1)	28	CKOUT1_P	
AD7	HDMI_SI5324_OUT_C_N	(1)	29	CKOUT1_N	
AP4	HDMI_RX0_C_P	(1)	B7	TMDS_DATA0_P	HDMI bottom port (P7)
AP3	HDMI_RX0_C_N	(1)	B9	TMDS_DATA0_N	
AN2	HDMI_RX1_C_P	(1)	B4	TMDS_DATA1_P	
AN1	HDMI_RX1_C_N	(1)	B6	TMDS_DATA1_N	
AL2	HDMI_RX2_C_P	(1)	B1	TMDS_DATA2_P	
AL1	HDMI_RX2_C_N	(1)	B3	TMDS_DATA2_N	
AC10	HDMI_RX_CLK_C_P	(1)	B10	TMDS_CLK_P	
AC9	HDMI_RX_CLK_C_N	(1)	B12	TMDS_CLK_N	
M8	HDMI_RX_PWR_DET	LVC MOS33	3	D	Q46
M10	HDMI_RX_HPD	LVC MOS33	1	G	Q41
N12	HDMI_CTL_SCL	LVC MOS33	15	SCL_CTL	(2)
P12	HDMI_CTL_SDA	LVC MOS33	16	SDA_CTL	
M9	HDMI_RX_SNK_SCL	LVC MOS33	4	SCL_A	TCA9406DCUR (U158)
M11	HDMI_RX_SNK_SDA	LVC MOS33	5	SDA_A	

Notes:

1. U1 MGT (I/O standards do not apply).
2. TMDS181IRG (U19), SN65DP159 (U94), M24C64-W (U109), and SI5324C (U108).

HDMI Clock Recovery

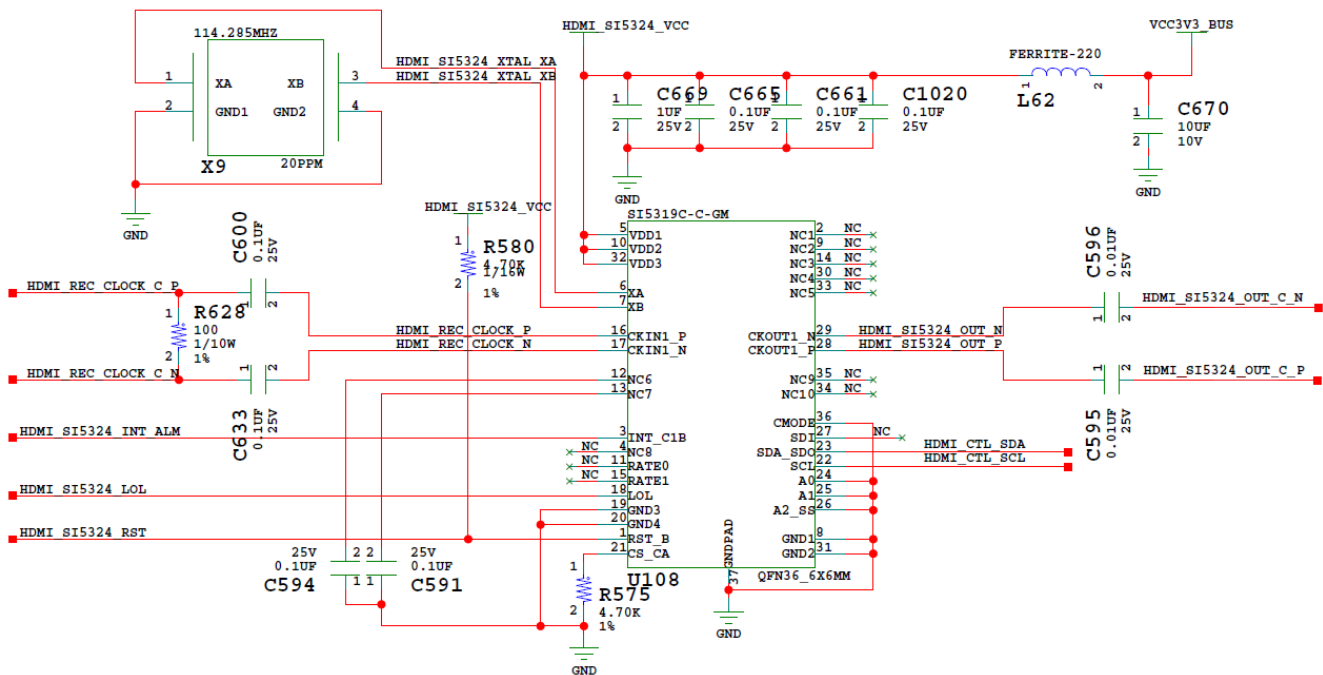
[Figure 2-1, callout 41]

The ZCU106 board includes a Silicon Labs Si5319C jitter attenuator U108 (2 kHz – 945 MHz). The FPGA can output the RX recovered clock to a differential I/O pair on I/O bank 67 (HDMI_REC_CLOCK_C_P, pin G14 and HDMI_REC_CLOCK_C_N, pin F13) for jitter attenuation. The jitter attenuated clock (HDMI_SI5324_OUT_C_P (U108 pin 28), HDMI_SI5324_OUT_C_N (U108 pin 29) is then routed as a series capacitor coupled reference clock to GTH Quad 223 inputs MGTREFCLK0P (U1 pin AD8) and MGTREFCLK0N (U1 pin AD7).

The Si5319C jitter attenuator is used to generate the reference clock for the HDMI transmitter subsystem. When the HDMI transmitter is used in standalone mode, the Si5319C operates in free-running mode and uses an external oscillator as the reference. When the HDMI transmitter is used in pass-through mode, the Si5319C generates a jitter-attenuated reference clock to drive the HDMI transmitter subsystem with a phase-aligned version of the HDMI RX subsystem HDMI RX TMD5 clock, so that they are phase aligned. The Si5319C clock and jitter enable functions are controlled by HDMI IP. Communication with the Si5319C is available over the HDMI_CTL_SDA/SCL bus connected to the XCZU7EV MPSoC U1 PL bank 87. The jitter attenuated clock circuit is shown in Figure 3-26.



IMPORTANT: The Silicon Labs Si5319C U108 pin 1 reset net HDMI_SI5324_RST must be driven High to enable the device. U108 pin 1 net HDMI_SI5324_RST is connected to FPGA U1 bank 87 pin H8.



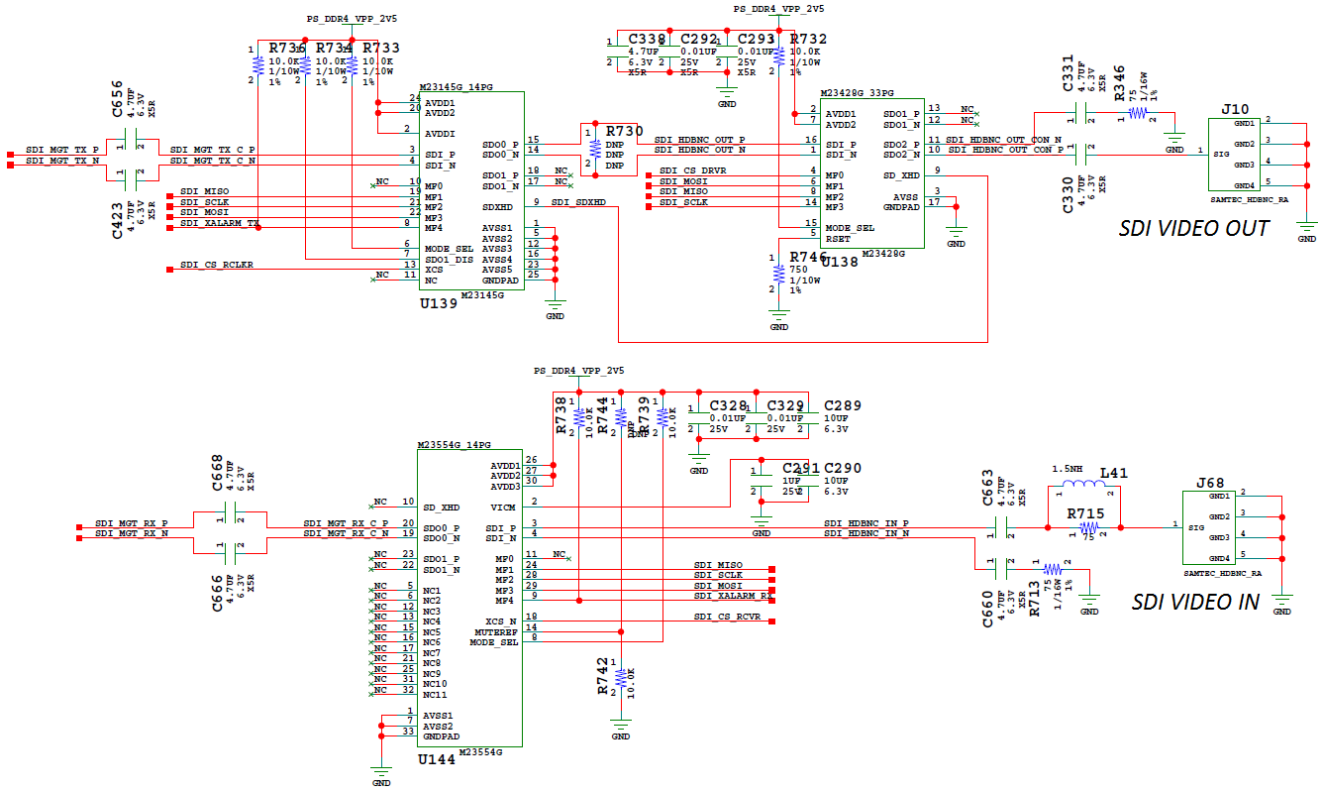
X19190-050117

Figure 3-26: HDMI Interface Clock Recovery

SDI Video

[Figure 2-1, callout 45]

12G-SDI and SMPTE ST-2082-1 define a bit-serial data interface for the transport of 12 Gb/s [nominal] component digital signals or packetized data along with the mapping of various source image formats to the bit-serial data structure. The SDI video circuit is shown in Figure 3-27.



X19191-050117

Figure 3-27: SDI Video

The SDI video circuit connections to the XCZU7EV MPSoC U1 are listed in [Table 3-30](#).

Table 3-30: SDI Video Connections to MPSoC U1

XCZU7EV (U1) Pin	Schematic Net Name	I/O Standard	Connected Component		
			Pin	Name	Device
H23	SDI_MISO ⁽⁴⁾	LVCMOS18	19	MF1	U139 M23145G
			8	MF2	U138 M23428G
			24	MF1	U144 M23544G
B21	SDI_SCLK ⁽³⁾	LVCMOS18	21	MF2	U139 M23145G
			14	MF3	U138 M23428G
			28	MF2	U144 M23544G
L21	SDI_MOSI ⁽³⁾	LVCMOS18	22	MF3	U139 M23145G
			6	MF1	U138 M23428G
			29	MF3	U144 M23544G
C14	SDI_XALARM_TX ⁽⁴⁾	LVCMOS18	8	MF4	U139 M23145G
A9	SDI_CS_RCLKR ⁽³⁾	LVCMOS18	13	XCS	
AC5	SDI_MGT_TX_N ⁽²⁾	(1)	4	SDI_N	
AC6	SDI_MGT_TX_P ⁽²⁾	(1)	3	SDI_P	
J19	SDI_CS_DRV ⁽³⁾	LVCMOS18	4	MF0	U138 M23428G
J20	SDI_CS_RCVR ⁽³⁾	LVCMOS18	18	XCS_N	U144 M23544G
E13	SDI_XALARM_RX ⁽⁴⁾	LVCMOS18	9	MF4	
AC1	SDI_MGT_RX_N ⁽²⁾	(1)	19	SDO0_N	
AC2	SDI_MGT_RX_P ⁽²⁾	(1)	20	SDO0_P	

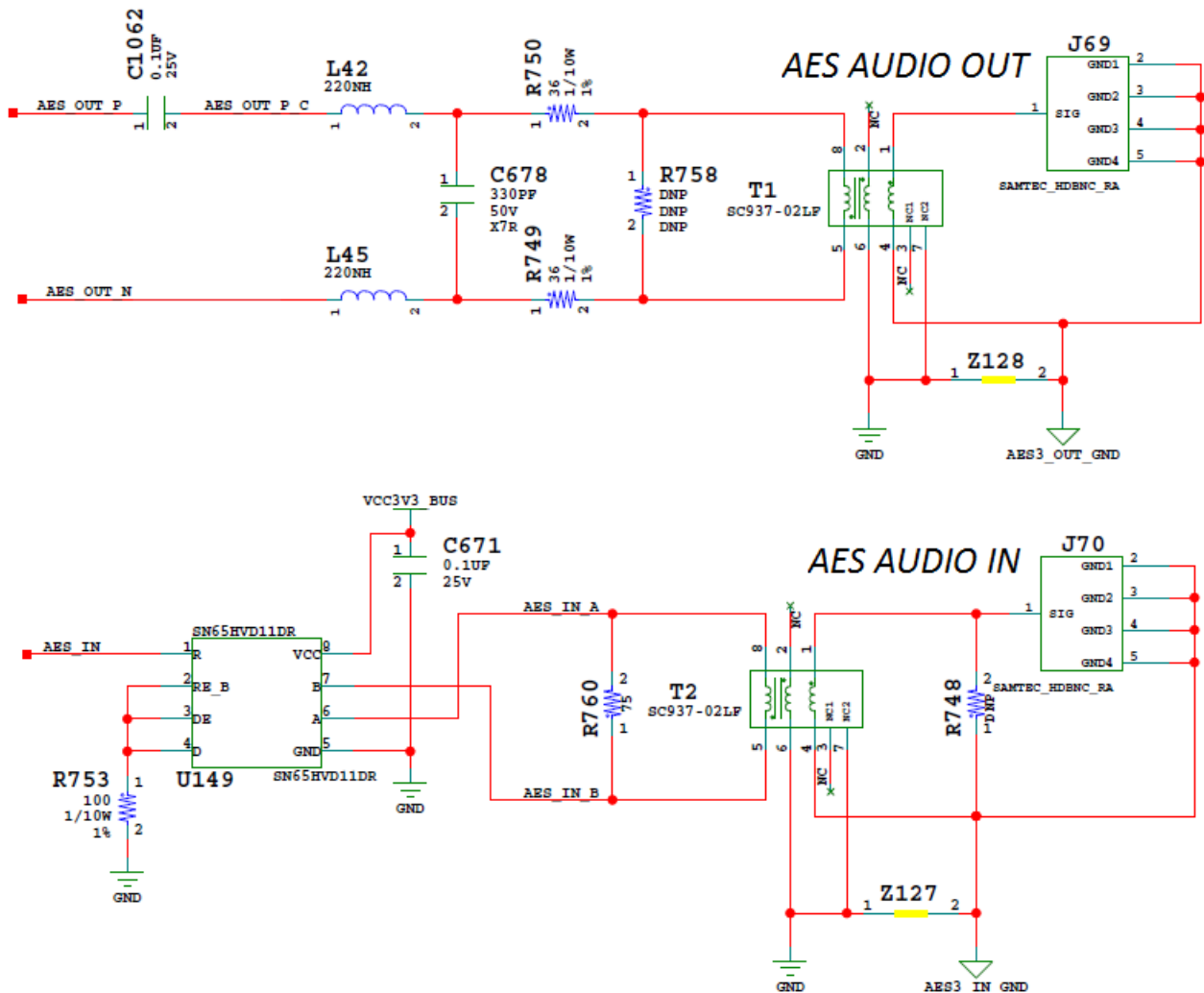
Notes:

1. Series capacitor coupled.
2. MGT connections I/O standard not applicable.
3. Level-shifted V_{ADJ_FMC} to PS_DDR4_VPP_2V5 (1.8V-to-2.5V) at U146 SN74AVC8T245.
4. Level-shifted V_{ADJ_FMC} to PS_DDR4_VPP_2V5 (1.8V-to-2.5V) at U145 SN74AVC4T245.

AES3 Audio

[Figure 2-1, callout 44]

AES3 (also referred to as AES/EBU) is a standard for the exchange of digital audio signals between professional audio devices. AES3 was jointly developed by the Audio Engineering Society (AES) and the European Broadcasting Union (EBU). An AES3 signal can carry two channels of PCM audio over several transmission media including balanced lines, unbalanced lines, and optical fiber. AES3 has been incorporated into the International Electrotechnical Commission's standard IEC 60958. Ref_1_IEC 60958-1 2008, Ref_2_IEC_60958-1_2ndEd_2004-03. The AES3 audio circuit is shown in Figure 3-28 and the connections are listed in Table 3-31.



X19192-050117

Figure 3-28: AES Audio

Table 3-31: AES3 Audio Connections to MPSoC U1

XCZU7EV (U1) Pin	Schematic Net Name	I/O Standard	Connected Component		
			Pin	Name	Device
G7	AES_IN	LVC MOS33	1	R	U149 SN65HVD11DR
AE13	AES_OUT_P ⁽¹⁾	(3)	8		T1 SC937-02LF
AF13	AES_OUT_N ⁽²⁾	(3)	5		

Notes:

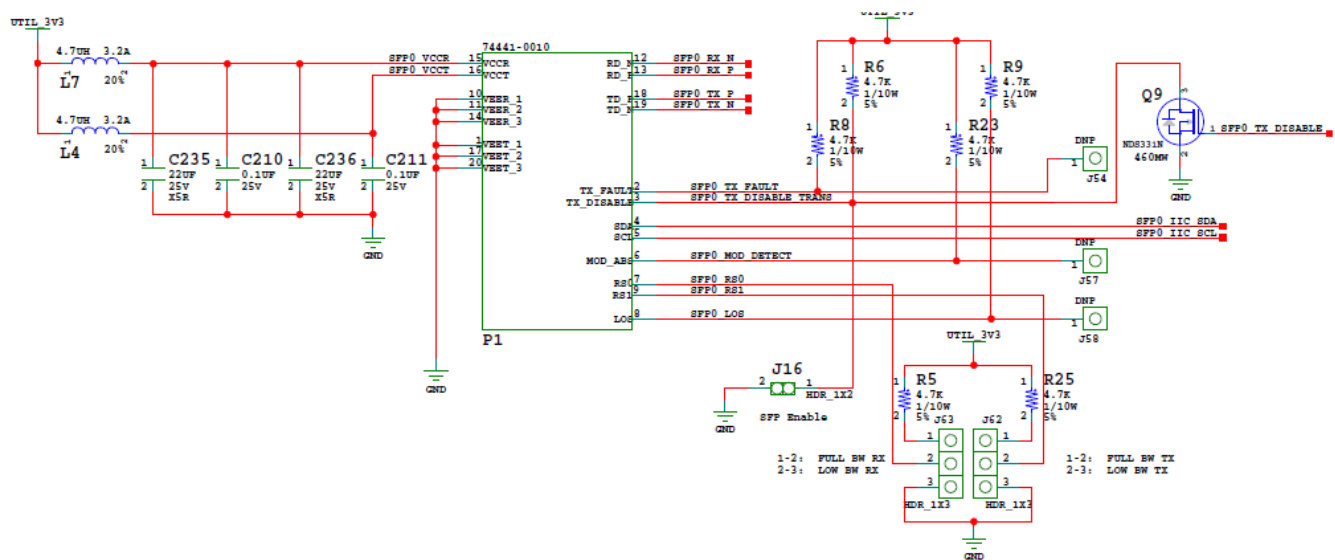
1. Series resistor, inductor, and capacitor coupled.
2. Series resistor and inductor coupled.
3. Transformer coupled by T1 SC937-02LF.

SFP/SFP+ Connectors

[Figure 2-1, callout 18]

The ZCU106 board contains a small form-factor pluggable (SFP+) 1x2 dual-connector (P1, P2) and cage assembly that accepts SFP or SFP+ modules. Figure 3-29 shows a typical SFP+ module connector circuitry implementation. Table 3-32 lists the connections between the dual connectors and the XCZU7EV MPSoC.

Note: The SFPx_TX_DISABLE_TRANS default 2-pin jumper is On, which means the SFPx_TX_DISABLE_TRANS net is pulled Low, enabling the TX output of the SFP module.



X19193-050117

Figure 3-29: Typical SFP Interface

Table 3-32: ZCU106 FPGA U1 to SFP0 and SFP1 Module Connections

XCZU7EV (U1) Pin	Net Name	Pin No.	Pin Name	SFP/SFP+ Module
Y4	SFP0_TX_P	18	TD_P	P1
Y3	SFP0_TX_N	19	TD_N	
AA2	SFP0_RX_P	13	RD_P	
AA1	SFP0_RX_N	12	RD_N	
AE22	SFP0_TX_DISABLE_B	3	TX_DISABLE	
W6	SFP1_TX_P	18	TD_P	P2
W5	SFP1_TX_N	19	TD_N	
W2	SFP1_RX_P	13	RD_P	
W1	SFP1_RX_N	12	RD_N	
AF20	SFP1_TX_DISABLE_B	3	TX_DISABLE	

Notes:

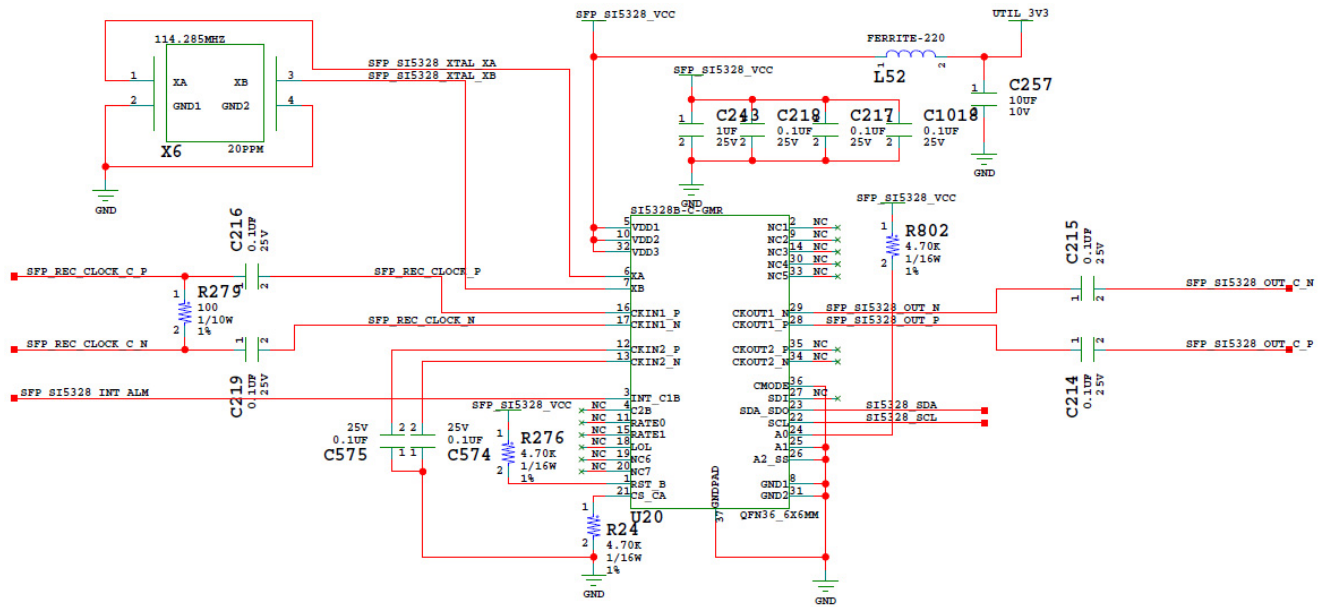
1. SFPx_TX_DISABLE_B nets implement the LVCMOS12 standard.

SFP/SFP+ Clock Recovery

[Figure 2-1, callout 11]

The ZCU106 board includes a Silicon Labs Si5328B jitter attenuator U20 (8 kHz – 808 MHz). The FPGA can output the RX recovered clock to a differential I/O pair on I/O bank 68 (SFP_REC_CLOCK_C_P, pin H11 and SFP_REC_CLOCK_C_N, pin G11) for jitter attenuation. The jitter attenuated clock (SFP_SI5328_OUT_C_P (U20 pin 28), SFP_SI5328_OUT_C_N (U20 pin 29)) is then routed as a series capacitor coupled reference clock to GTH Quad 225 inputs MGTREFCLK1P (U1 pin W10) and MGTREFCLK1N (U1 pin W9).

The primary purpose of this clock is to support synchronous protocols such as CPRI or OBSAI to perform clock recovery from a user-supplied SFP/SFP+ module and use the jitter attenuated recovered clock to drive the reference clock inputs of a GTH transceiver. The system controller configures the SI5328B in free-run mode (see [TI MSP430 System Controller, page 116](#)). The jitter attenuated clock circuit is shown in [Figure 3-30](#).



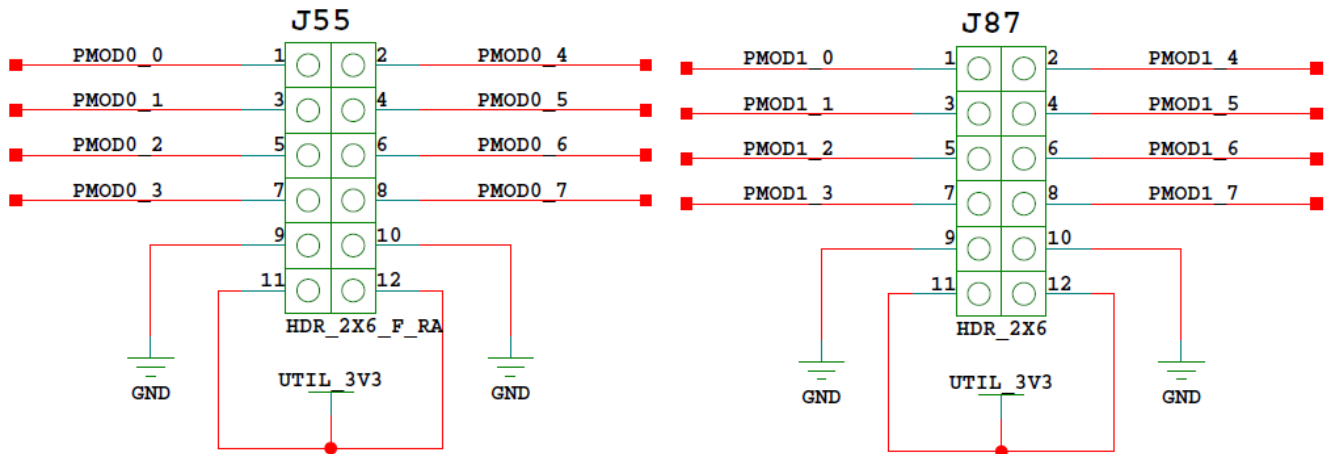
X19194-050117

Figure 3-30: SFP/SFP+ Clock Recovery

User PMOD GPIO Headers

[Figure 2-1, callout 20, 21]

The ZCU106 evaluation board supports two PMOD GPIO headers J55 (right-angle female) and J87 (vertical male). The 3.3V PMOD nets are level-shifted and wired to the XCZU7EV device U1 banks 28, 66, and 68. Figure 3-31 shows the GPIO PMOD headers J55 and J87. Table 3-33 lists the connections between the XCZU7EV MPSoC and the PMOD connectors. Maximum PMOD interface speed is 110 Mb/s.



X19195-050117

Figure 3-31: PMOD Connectors

Table 3-33: XCZU7EV U1 to PMOD Connections

XCZU7EV (U1) Pin	Net Name	I/O Standard	PMOD Pin
B23	PMOD0_0	LVC MOS18	J55.1
A23	PMOD0_1	LVC MOS18	J55.3
F25	PMOD0_2	LVC MOS18	J55.5
E20	PMOD0_3	LVC MOS18	J55.7
K24	PMOD0_4	LVC MOS18	J55.2
L23	PMOD0_5	LVC MOS18	J55.4
L22	PMOD0_6	LVC MOS18	J55.6
D7	PMOD0_7	LVC MOS18	J55.8
AN8	PMOD1_0	LVC MOS18	J87.1
AN9	PMOD1_1	LVC MOS18	J87.3
AP11	PMOD1_2	LVC MOS18	J87.5
AN11	PMOD1_3	LVC MOS18	J87.7
AP9	PMOD1_4	LVC MOS18	J87.2

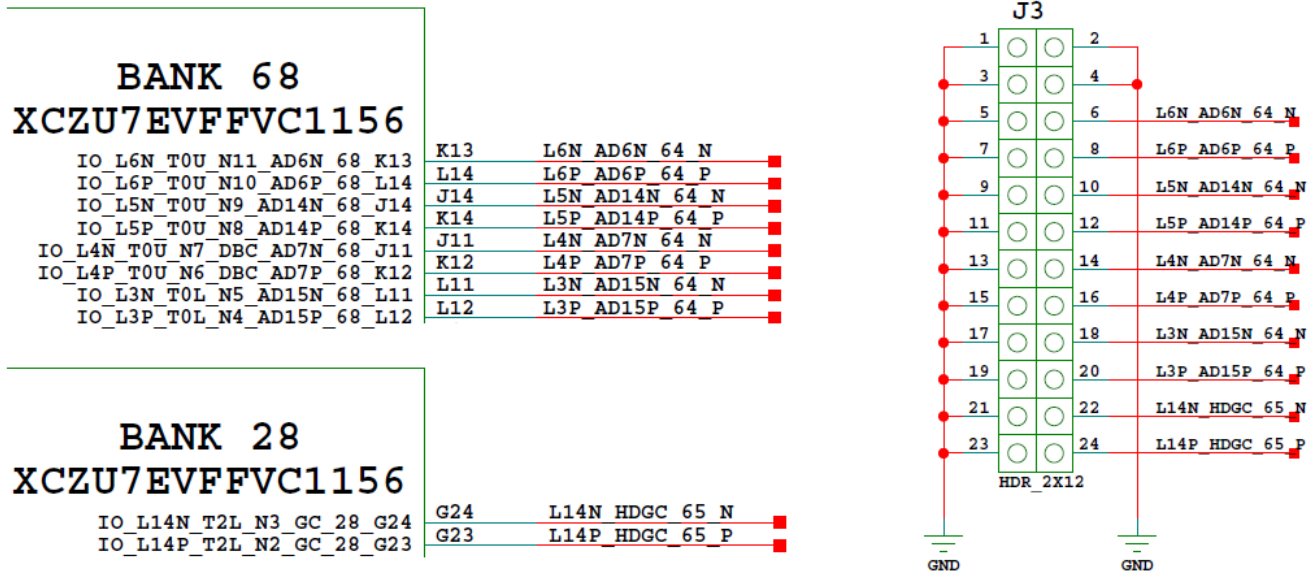
Table 3-33: XCZU7EV U1 to PMOD Connections (Cont'd)

XCZU7EV (U1) Pin	Net Name	I/O Standard	PMOD Pin
AP10	PMOD1_5	LVCMOS18	J87.4
AP12	PMOD1_6	LVCMOS18	J87.6
AN12	PMOD1_7	LVCMOS18	J77.8

Prototype Header

[Figure 2-1, callout 42]

The ZCU106 evaluation board provides a 2x12 male pin prototype header J3 that makes ten GPIO connections available. Figure 3-32 shows connector J3 with its MPSoC (U1) connections.



X19196-050117

Figure 3-32: Prototype Header J3

Table 3-34 lists the connections between the XCZU7EV MPSoC and the prototype header.

Table 3-34: Prototype Header J3 Connections to the XCZU7EV MPSoC

XCZU7EV (U1) Pin	Net Name	I/O Standard	Prototype Header J3 Pin
L14	L6P_AD6P_64_P	LVC MOS18	8
K13	L6N_AD6N_64_N	LVC MOS18	6
K14	L5P_AD14P_64_P	LVC MOS18	12
J14	L5N_AD14N_64_N	LVC MOS18	10
K12	L4P_AD7P_64_P	LVC MOS18	16
J11	L4N_AD7N_64_N	LVC MOS18	14
L12	L3P_AD15P_64_P	LVC MOS18	20
L11	L3N_AD15N_64_N	LVC MOS18	18
G23	L14P_HDGC_65_P	LVC MOS18	24
G24	L14N_HDGC_65_N	LVC MOS18	22

User I2C0 Receptacle

[Figure 2-1, callout 21]

The ZCU106 evaluation board supports a PMOD 2x6 receptacle (right-angle female) J160. Figure 3-33 shows the I2C0 PMOD receptacle J160. The I2C0 nets are a branch of the I2C0 main bus (see Figure 3-17 and I2C0 (MIO 14-15) for more details).

R.A. Female 2x6 PMOD receptacle

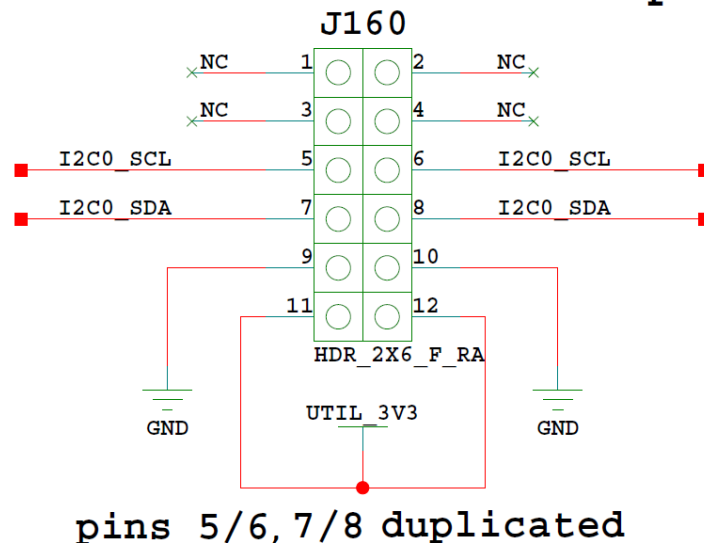


Figure 3-33: J160 PMOD I2C0 Right-Angle Receptacle

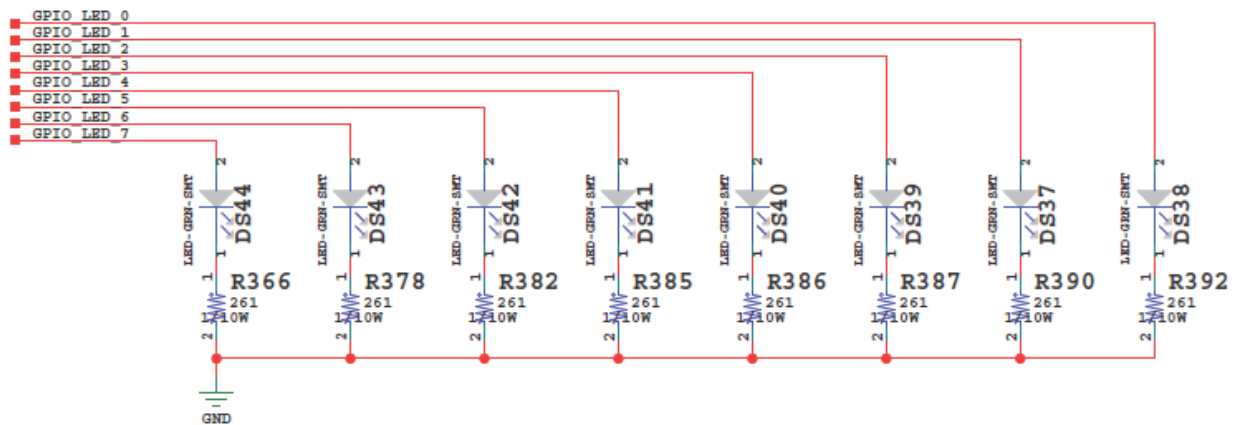
User I/O

[Figure 2-1, callouts 22-25]

The ZCU106 board provides these user and general purpose I/Os:

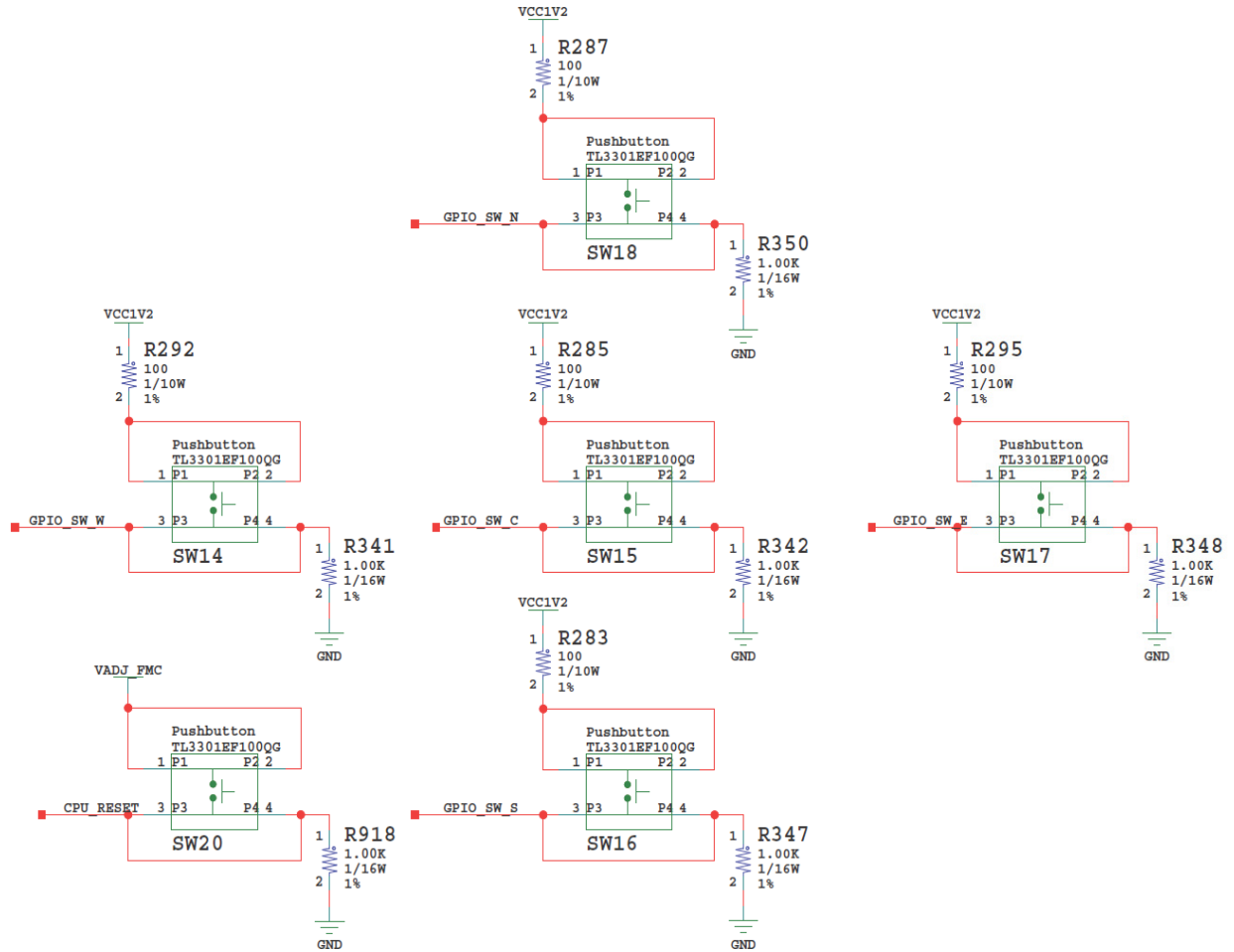
- Eight user LEDs (callout 22)
 - GPIO_LED[7-0]: DS38, DS37, DS39, DS40, DS41, DS42, DS43, DS44
- Five user pushbuttons and CPU reset switch (callouts 24 and 25)
 - GPIO_SW_[NESWC]: SW18, SW17, SW16, SW14, SW15
 - CPU_RESET: SW20
- 8-position user DIP switch (callout 23)
 - GPIO_DIP_SW[7:0]: SW13

Figure 3-34 through Figure 3-36 show the GPIO circuits. Table 3-35 lists the GPIO to XCZU9EG U1 connections.



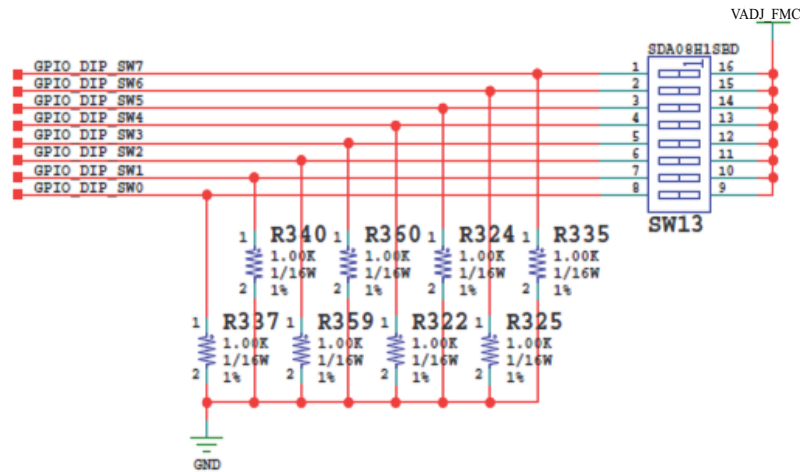
X16539-050117

Figure 3-34: GPIO LEDs



X16541-052417

Figure 3-35: GPIO Pushbutton Switches



X16542-052417

Figure 3-36: GPIO 8-Pole DIP Switch

Table 3-35: XCZU7EV U1 to GPIO Connections

XCZU7EV (U1) Pin	Net Name	I/O Standard	Device
GPIO LEDs (active-High) ⁽¹⁾			
AL11	GPIO_LED_0	LVC MOS12	DS38.2
AL13	GPIO_LED_1	LVC MOS12	DS37.2
AK13	GPIO_LED_2	LVC MOS12	DS39.2
AE15	GPIO_LED_3	LVC MOS12	DS40.2
AM8	GPIO_LED_4	LVC MOS12	DS41.2
AM9	GPIO_LED_5	LVC MOS12	DS42.2
AM10	GPIO_LED_6	LVC MOS12	DS43.2
AM11	GPIO_LED_7	LVC MOS12	DS44.2
Directional Pushbuttons (active-High)			
AG13	GPIO_SW_N	LVC MOS12	SW18.3
AC14	GPIO_SW_E	LVC MOS12	SW17.3
AK12	GPIO_SW_W	LVC MOS12	SW14.3
AP20	GPIO_SW_S	LVC MOS12	SW16.3
AL10	GPIO_SW_C	LVC MOS12	SW15.3
CPU Reset Pushbutton (active-High)			
G13	CPU_RESET	LVC MOS18	SW20.3
GPIO DIP SW (active-High)			
A17	GPIO_DIP_SW0	LVC MOS18	SW13.8
A16	GPIO_DIP_SW1	LVC MOS18	SW13.7

Table 3-35: XCZU7EV U1 to GPIO Connections (Cont'd)

XCZU7EV (U1) Pin	Net Name	I/O Standard	Device
B16	GPIO_DIP_SW2	LVC MOS18	SW13.6
B15	GPIO_DIP_SW3	LVC MOS18	SW13.5
A15	GPIO_DIP_SW4	LVC MOS18	SW13.4
A14	GPIO_DIP_SW5	LVC MOS18	SW13.3
B14	GPIO_DIP_SW6	LVC MOS18	SW13.2
B13	GPIO_DIP_SW7	LVC MOS18	SW13.1

Notes:

- LEDs are driven through U106 level-shifter (1.2V-to-3.3V).

Power and Status LEDs

[Figure 2-1, area of callout 22]

Table 3-36 defines the power and status LEDs. For user-controlled LEDs, see [User I/O, page 86](#).

Table 3-36: Power and Status LEDs

Ref. Des.	Net Name	LED Color	Description
DS1	FPGA_INIT_B	Green/Red	Green: FPGA initialization was successful Red: FPGA initialization is in progress
DS2	VCC12_SW	Green	12 VDC power on
DS3	VCCAUX_PGOOD	Green	VCCAUX 1.8 VDC power on
DS4	VCC3V3_PGOOD	Green	VCC3V3 3.3 VDC power on
DS5	VCCINT_PGOOD	Green	VCCINT 0.85 VDC power on
DS6	VADJ_FMC_PGOOD	Green	VADJ_FMC 1.8 VDC (nominal) power on
DS7	VCC1V2_PGOOD	Green	VCC1V2 1.2 VDC power on
DS8	VCCBRAM_PGOOD	Green	VCCBRAM 0.85 VDC power on
DS9	MGTA VTT_PGOOD	Green	MGTA VTT 1.2 VDC power on
DS10	MGTA VCC_PGOOD	Green	MGTA VCC 0.9 VDC power on
DS11	VCCPSINTFP_PGOOD	Green	VCCPSINTFP 0.85 VDC power on
DS12	MGTRAVCC_PGOOD	Green	MGTRAVCC 0.85 VDC power on
DS13	MGTVCCAUX_PGOOD	Green	MGTVCCAUX 1.81 VDC power on
DS14	VCCPSAUX_PGOOD	Green	VCCPSAUX 1.81 VDC power on
DS15	VCCPSPLL_PGOOD	Green	VCCPSPLL 1.2 VDC power on
DS16	VCCPSINTLP_PGOOD	Green	VCCPSINTLP 0.85 VDC power on
DS17	DDR4_DIMM_VDDQ_PGOOD	Green	DDR4_DIMM_VDDQ 1.2 VDC power on
DS18	MGTRAVTT_PGOOD	Green	MGTRAVTT 1.81 VDC power on

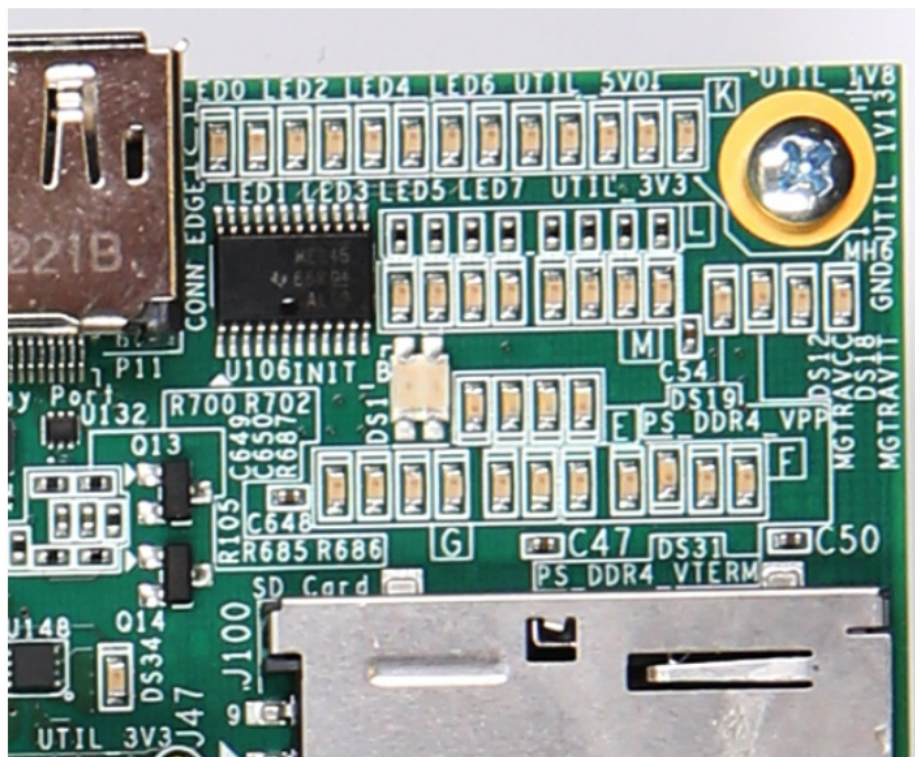
Table 3-36: Power and Status LEDs (Cont'd)

Ref. Des.	Net Name	LED Color	Description
DS19	PS_DDR4_VPP_2V5	Green	PS_DDR4_VPP_2V5 2.5 VDC power on
DS20	PL_DDR4_VPP_2V6	Green	PL_DDR4_VPP_2V5 2.5 VDC power on
DS21	VCCOPS_PGOOD	Green	VCCOPS 1.80 VDC power on
DS22	UTIL_5V0_PGOOD	Green	UTIL_5V0 5 VDC power on
DS24	VCCPSDDRPLL_PGOOD	Green	VCCPSDDRPLL 1.81 VDC power on
DS25	UTIL_3V3_PGOOD	Green	UTIL_3V3 3.3 VDC power on
DS26	VCCOPS3_PGOOD	Green	VCCOPS3 1.81 VDC power on
DS27	ENET_LED_1	Green	EHPY U98 1000BASE-T link is established
DS29	UTIL_1V8	Green	UTIL_1V8 1.8VDC power on
DS30	PL_DDR4_VTERM_0V60_PGOOD	Green	PL_DDR4_VTERM 0.6VDC power on
DS31	PS_DDR4_VTERM_0V60_PGOOD	Green	PS_DDR4_VTERM 0.6VDC power on
DS32	DONE	Green	MPSoC U1 bit file download is complete.
DS33	PS_ERR_STATUS ⁽¹⁾	Green	PS error status indicates a secure lockdown state. Alternatively, it can be used by the PMU firmware to indicate system status.
DS34	DP_VCC3V3	Green	Display port 3.3VDC power on
DS35	PS_ERR_OUT ⁽¹⁾	Red	PS error out is asserted for accidental loss of power, an error in the PMU that holds the CSU in reset, or an exception in the PMU.
DS36	POR_RST_B	Red	POR U22 asserts RST_B low when any of the monitored voltages (IN_) falls below its respective threshold, any EN_ goes low, or MR is asserted.
DS37-DS44	GPIO_LED_1, GPIO_LED_[0,2:7]	Green	USER GPIO LEDs
DS46	MSP430_LED1	Green	MSP430 U41 GPIO LED
DS47	MSP430_LED0	Green	MSP430 U41 GPIO LED
DS49	UTIL_1V13_PG	Green	UTIL_1V13 1.13VDC power on
DS50	MIO23_LED	Green	MPSoC U1 Bank 500 GPIO LED
DS51	USB3_MIC2544_U121_FLG	Green	PS USB 3.0 ULPI VBUS power error

Notes:

1. See the *Zynq UltraScale+ MPSoC Technical Reference Manual* (UG1085) [Ref 3] for more information about Zynq UltraScale+ MPSoC configuration pins.

Figure 3-37 shows the power and status LEDs area of the board.



X19197-050117

Figure 3-37: Power and Status LEDs

GTH Transceivers

[Figure 2-1, callout 1]

The Zynq UltraScale+ XCZU7EV MPSoC has 20 GTH gigabit transceivers (16.3 Gb/s capable) on the PL-side.

The GTH transceivers in the XCZU7EV device are grouped into four channels referred to as Quads. The reference clock for a Quad can be sourced from the Quad above or the Quad below the GTH Quad of interest. There are five GTH Quads on the ZCU106 board with connectivity as listed here:

Quad 223:

- MGTREFCLK0 - HDMI_SI5324_OUT_C_P/N
- MGTREFCLK1 - HDMI_RX_CLK_C_P/N
- Contains three GTH transceivers allocated to HDMI_TX/RX[2:0]_P/N
- Contains one GTH transceiver allocated to FMC_HPC1_DP0_C2M/M2C_P/N

Quad 224:

- MGTREFCLK0 - PCIE_CLK_P/N
- MGTREFCLK1 - USER_SMA_MGT_CLOCK_C_P/N
- Contains four GTH transceivers allocated to PCIE_TX/RX[0:3]_P/N

Quad 225:

- MGTREFCLK0 - FMC_HPC1_GBTCLK0_M2C_C_P/N
- MGTREFCLK1 - SFP_SI5328_OUT_C_P/N
- Contains one GTH transceiver allocated to SDI_MGT_TX/RX_P/N
- Contains one GTH transceiver allocated to SMA_MGT TX/RX_P/N
- Contains two GTH transceivers allocated to SFP[0:1]_TX/RX_P/N

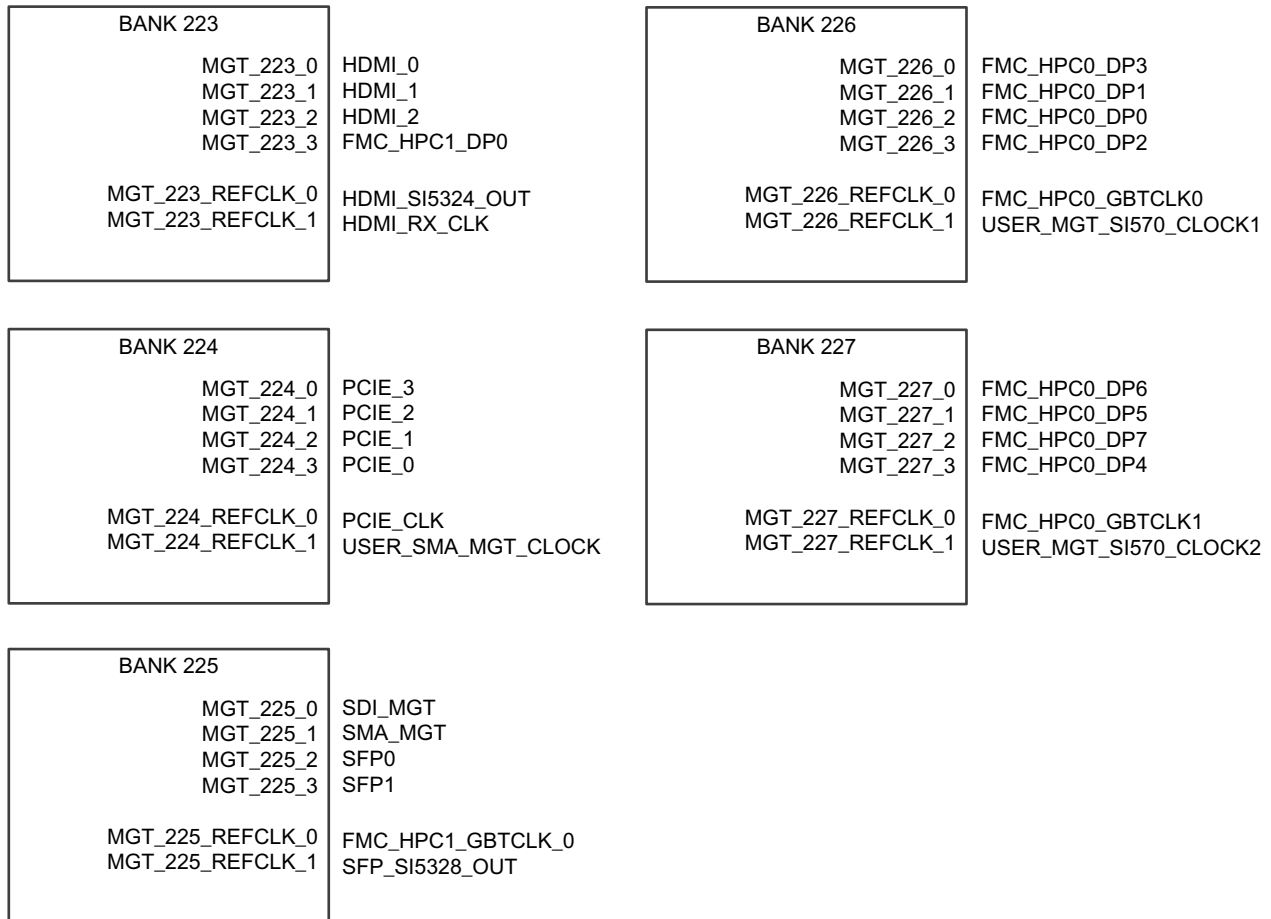
Quad 226:

- MGTREFCLK0 - FMC_HPC0_GBTCLK0_M2C_C_P/N
- MGTREFCLK1 - USER_MGT_SI570_CLOCK1_C_P/N
- Contains four GTH transceivers allocated to FMC_HPC0_DP[0:3]_C2M/M2C_P/N

Quad 227:

- MGTREFCLK0 - FMC_HPC0_GBTCLK1_M2C_C_P/N
- MGTREFCLK1 - USER_MGT_SI570_CLOCK2_C_P/N
- Contains four GTH transceivers allocated to FMC_HPC0_DP[4:7]_C2M/M2C_P/N

GTH transceiver interface assignments on the ZCU106 are shown in Figure 3-38.



X19198-050117

Figure 3-38: GTH Transceiver Bank Assignments

FMC HPC_0

Eight MGTs in a common FPGA column are provided by PL-side MGT banks 226 and 227. Available MGT reference clocks include the FMC defined GBT clocks 0 and 1 for HPC0, and a programmable Si570 buffered 1-to-2 clock. Additional MGT reference clocks are located in adjacent MGT banks.

FMC HPC_1

One MGT is provided by PL-side MGT bank 223. Available MGT reference clocks include the two HDMI associated clocks HDMI_RX_CLK and HDMI_SI5324_OUT. Additional MGT reference clocks are located in adjacent MGT banks.

SFP+

Two PL-side GTH transceivers in bank 228 are provided for the Quad SFP+ interface. Available GTH transceiver reference clocks include the FMC defined GBT clock 0 for HPC1 and a jitter attenuated recovered clock from a Si5328. SFP+ modules typically provide an I2C based control interface. This I2C interface is accessible for each individual SFP+ module through the I2C multiplexer topology on the ZCU106.

HDMI

Three PL-side GTH transceivers are dedicated for HDMI source and sink. Modes supported are 4K, 2K at 60 f/s, and 2160p60. External circuitry for interfacing TMDS signals with the GTH transceivers is required.

SMA

One MGT in bank 225 is provided on TX and RX SMA connector pairs. Available MGT clocks include the FMC defined GBT clock 0 for HPC1 and a jitter attenuated recovered clock from a Si5328. Table 3-37 through Table 3-41 list the five GTH transceiver bank (223-227) connections.

Table 3-37: GTH Transceiver Bank 223 Interface Connections

XCZU7EV (U1) Pin	XCZU7EV Pin Name	Schematic Net Name ⁽²⁾	Connected To			
			Pin No.	Pin Name	Device	
AN6	MGHTXP0	HDMI_TX0_P	8	IN_D0P	SN65DP159RGZ HDMI re-timer U94	
AN5	MGHTXN0	HDMI_TX0_N	9	IN_D0N		
AM4	MGHTXP1	HDMI_TX1_P	5	IN_D1P		
AM3	MGHTXN1	HDMI_TX1_N	6	IN_D1N		
AL6	MGHTXP2	HDMI_TX2_P	2	IN_D2P		
AL5	MGHTXN2	HDMI_TX2_N	3	IN_D2N		
AP4	MGTHRX0	HDMI_RX0_C_P ⁽¹⁾	B7	TMDS_DATA0_P	P7 MOLEX HDMI bottom port	
AP3	MGTHRXN0	HDMI_RX0_C_N ⁽¹⁾	B9	TMDS_DATA0_N		
AN2	MGTHRX1	HDMI_RX1_C_P ⁽¹⁾	B4	TMDS_DATA1_P		
AN1	MGTHRXN1	HDMI_RX1_C_N ⁽¹⁾	B6	TMDS_DATA1_N		
AL2	MGTHRX2	HDMI_RX2_C_P ⁽¹⁾	B1	TMDS_DATA2_P		
AL1	MGTHRXN2	HDMI_RX2_C_N ⁽¹⁾	B3	TMDS_DATA2_N		
AC10	MGTREFCLK1P	HDMI_RX_CLK_C_P ⁽¹⁾	B10	TMDS_CLK_P		
AC9	MGTREFCLK1N	HDMI_RX_CLK_C_N ⁽¹⁾	B12	TMDS_CLK_N		
AJ6	MGHTXP3	FMC_HPC1_DP0_C2M_P	C2	DP0_C2M_P		FMC HPC1 J4
AJ5	MGHTXN3	FMC_HPC1_DP0_C2M_N	C3	DP0_C2M_N		
AK4	MGTHRX3	FMC_HPC1_DP0_M2C_P	C6	DP0_M2C_P		
AK3	MGTHRXN3	FMC_HPC1_DP0_M2C_N	C7	DP0_M2C_N		
AD8	MGTREFCLK0P	HDMI_SI5324_OUT_C_P ⁽¹⁾	28	CKOUT1_P	SI5319C JITTER ATTEN. U108	
AD7	MGTREFCLK0N	HDMI_SI5324_OUT_C_N ⁽¹⁾	29	CKOUT1_N		

Notes:

1. Series capacitor coupled.
2. MGT connections I/O standard not applicable.

Table 3-38: GTH Transceiver Bank 224 Interface Connections

XCZU7EV (U1) Pin	XCZU7EV Pin Name	Schematic Net Name ⁽²⁾	Connected To		
			Pin No.	Pin Name	Device
AH4	MGTHTXP0	PCIE_TX3_P ⁽¹⁾	A29	PERp3	PCIe 4-lane edge connector P3
AH3	MGTHTXN0	PCIE_TX3_N ⁽¹⁾	A30	PERn3	
AJ2	MGTHRXP0	PCIE_RX3_P	B27	PETp3	
AJ1	MGTHRXN0	PCIE_RX3_N	B28	PETn3	
AG6	MGTHTXP1	PCIE_TX2_P ⁽¹⁾	A25	PERp2	
AG5	MGTHTXN1	PCIE_TX2_N ⁽¹⁾	A26	PERn2	
AG2	MGTHRXP1	PCIE_RX2_P	B23	PETp2	
AG1	MGTHRXN1	PCIE_RX2_N	B24	PETn2	
AE6	MGTHTXP2	PCIE_TX1_P ⁽¹⁾	A21	PERp1	
AE5	MGTHTXN2	PCIE_TX1_N ⁽¹⁾	A22	PERn1	
AF4	MGTHRXP2	PCIE_RX1_P	B19	PETp1	
AF3	MGTHRXN2	PCIE_RX1_N	B20	PETn1	
AD4	MGTHTXP3	PCIE_TX0_P ⁽¹⁾	A16	PERp0	
AD3	MGTHTXN3	PCIE_TX0_N ⁽¹⁾	A17	PERn0	
AE2	MGTHRXP3	PCIE_RX0_P	B14	PETp0	
AE1	MGTHRXN3	PCIE_RX0_N	B15	PETn0	
AB8	MGTREFCLK0P	PCIE_CLK_P ⁽¹⁾	A13	REFCLK+	
AB7	MGTREFCLK0N	PCIE_CLK_N ⁽¹⁾	A14	REFCLK-	
AA10	MGTREFCLK1P	USER_SMA_MGT_CLOCK_C_P	1	SIG	SMA J79
AA9	MGTREFCLK1N	USER_SMA_MGT_CLOCK_C_N	1	SIG	SMA J80

Notes:

1. Series capacitor coupled.
2. MGT connections I/O standard not applicable.

Table 3-39: GTH Transceiver Bank 225 Interface Connections

XCZU7EV (U1) Pin	XCZU7EV Pin Name	Schematic Net Name ⁽²⁾	Connected To		
			Pin No.	Pin Name	Device
AC6	MGHTTXP0	SDI_MGT_TX_P ⁽¹⁾	3	SDI_P	M23145G_14PG re-clocker
AC5	MGHTTXN0	SDI_MGT_TX_N ⁽¹⁾	4	SDI_N	
AC2	MGTHRXP0	SDI_MGT_RX_P ⁽¹⁾	20	SDO0_P	M23554G_14PG re-clocker
AC1	MGTHRXN0	SDI_MGT_RX_N ⁽¹⁾	19	SDO0_N	
AA6	MGHTTXP1	SMA_MGT_TX_P	1	SIG	MGT SMA J72
AA5	MGHTTXN1	SMA_MGT_TX_N	1	SIG	MGT SMA J42
AB4	MGTHRXP1	SMA_MGT_RX_C_P ⁽¹⁾	1	SIG	MGT SMA J74
AB3	MGTHRXN1	SMA_MGT_RX_C_N ⁽¹⁾	1	SIG	MGT SMA J73
Y4	MGHTTXP2	SFP0_TX_P	18	TD_P	SFP0 connector P1
Y3	MGHTTXN2	SFP0_TX_N	19	TD_N	
AA2	MGTHRXP2	SFP0_RX_P	13	RD_P	
AA1	MGTHRXN2	SFP0_RX_N	12	RD_N	
W6	MGHTTXP3	SFP1_TX_P	18	TD_P	SFP0 connector P2
W5	MGHTTXN3	SFP1_TX_N	19	TD_N	
W2	MGTHRXP3	SFP1_RX_P	13	RD_P	
W1	MGTHRXN3	SFP1_RX_N	12	RD_N	
Y8	MGTREFCLK0P	FMC_HPC1_GBTCLK0_M2C_C_P ⁽¹⁾	D4	GBTCLK0_M2C_P	FMC HPC1 J4
Y7	MGTREFCLK0N	FMC_HPC1_GBTCLK0_M2C_C_N ⁽¹⁾	D5	GBTCLK0_M2C_N	
W10	MGTREFCLK1P	SFP_SI5328_OUT_C_P ⁽¹⁾	28	CKOUT1_P	SI5328B U20
W9	MGTREFCLK1N	SFP_SI5328_OUT_C_N ⁽¹⁾	29	CKOUT1_N	

Notes:

1. Series capacitor coupled.
2. MGT connections I/O standard not applicable.

Table 3-40: GTH Transceiver Bank 226 Interface Connections

XCZU7EV (U1) Pin	XCZU7EV Pin Name	Schematic Net Name ⁽²⁾	Connected To		
			Pin No.	Pin Name	Device
U6	MGTHTXP0	FMC_HPC0_DP3_C2M_P	A30	DP3_C2M_P	FMC HPC0 J5
U5	MGTHTXN0	FMC_HPC0_DP3_C2M_N	A31	DP3_C2M_N	
V4	MGTHRXP0	FMC_HPC0_DP3_M2C_P	A10	DP3_M2C_P	
V3	MGTHRXN0	FMC_HPC0_DP3_M2C_N	A11	DP3_M2C_N	
T4	MGTHTXP1	FMC_HPC0_DP1_C2M_P	A22	DP1_C2M_P	
T3	MGTHTXN1	FMC_HPC0_DP1_C2M_N	A23	DP1_C2M_N	
U2	MGTHRXP1	FMC_HPC0_DP1_M2C_P	A2	DP1_M2C_P	
U1	MGTHRXN1	FMC_HPC0_DP1_M2C_N	A3	DP1_M2C_N	
R6	MGTHTXP2	FMC_HPC0_DP0_C2M_P	C2	DP0_C2M_P	
R5	MGTHTXN2	FMC_HPC0_DP0_C2M_N	C3	DP0_C2M_N	
R2	MGTHRXP2	FMC_HPC0_DP0_M2C_P	C6	DP0_M2C_P	
R1	MGTHRXN2	FMC_HPC0_DP0_M2C_N	C7	DP0_M2C_N	
N6	MGTHTXP3	FMC_HPC0_DP2_C2M_P	A26	DP2_C2M_P	
N5	MGTHTXN3	FMC_HPC0_DP2_C2M_N	A27	DP2_C2M_N	
P4	MGTHRXP3	FMC_HPC0_DP2_M2C_P	A6	DP2_M2C_P	
P3	MGTHRXN3	FMC_HPC0_DP2_M2C_N	A7	DP2_M2C_N	
V8	MGTREFCLK0P	FMC_HPC0_GBTCLK0_M2C_C_P ⁽¹⁾	D4	GBTCLK0_M2C_P	
V7	MGTREFCLK0N	FMC_HPC0_GBTCLK0_M2C_C_N ⁽¹⁾	D5	GBTCLK0_M2C_N	
U10	MGTREFCLK1P	USER_MGT_SI570_CLOCK1_C_P ⁽¹⁾	11	Q1_P	SI53340 U51 1-to-2 buffer
U9	MGTREFCLK1N	USER_MGT_SI570_CLOCK1_C_N ⁽¹⁾	12	Q1_N	

Notes:

1. Series capacitor coupled.
2. MGT connections I/O standard not applicable.

Table 3-41: GTH Transceiver Bank 227 Interface Connections

XCZU7EV (U1) Pin	XCZU7EV Pin Name	Schematic Net Name ⁽²⁾	Connected To		
			Pin No.	Pin Name	Device
M4	MGTHTXP0	FMC_HPC0_DP6_C2M_P	B36	DP6_C2M_P	FMC HPC0 J5
M3	MGTHTXN0	FMC_HPC0_DP6_C2M_N	B37	DP6_C2M_N	
N2	MGTHRXP0	FMC_HPC0_DP6_M2C_P	B16	DP6_M2C_P	
N1	MGTHRXN0	FMC_HPC0_DP6_M2C_N	B17	DP6_M2C_N	
L6	MGTHTXP1	FMC_HPC0_DP5_C2M_P	A38	DP5_C2M_P	
L5	MGTHTXN1	FMC_HPC0_DP5_C2M_N	A39	DP5_C2M_N	
L2	MGTHRXP1	FMC_HPC0_DP5_M2C_P	A18	DP5_M2C_P	
L1	MGTHRXN1	FMC_HPC0_DP5_M2C_N	A19	DP5_M2C_N	
K4	MGTHTXP2	FMC_HPC0_DP7_C2M_P	B32	DP7_C2M_P	
K3	MGTHTXN2	FMC_HPC0_DP7_C2M_N	B33	DP7_C2M_N	
J2	MGTHRXP2	FMC_HPC0_DP7_M2C_P	B12	DP7_M2C_P	
J1	MGTHRXN2	FMC_HPC0_DP7_M2C_N	B13	DP7_M2C_N	
H4	MGTHTXP3	FMC_HPC0_DP4_C2M_P	A34	DP4_C2M_P	
H3	MGTHTXN3	FMC_HPC0_DP4_C2M_N	A35	DP4_C2M_N	
G2	MGTHRXP3	FMC_HPC0_DP4_M2C_P	A14	DP4_M2C_P	
G1	MGTHRXN3	FMC_HPC0_DP4_M2C_N	A15	DP4_M2C_N	
T8	MGTREFCLK0P	FMC_HPC0_GBTCLK1_M2C_C_P ⁽¹⁾	B20	GBTCLK1_M2C_P	
T7	MGTREFCLK0N	FMC_HPC0_GBTCLK1_M2C_C_N ⁽¹⁾	B21	GBTCLK1_M2C_N	
R10	MGTREFCLK1P	USER_MGT_SI570_CLOCK2_C_P ⁽¹⁾	13	Q2_P	SI53340U51 1-to-2 buffer
R9	MGTREFCLK1N	USER_MGT_SI570_CLOCK2_C_N ⁽¹⁾	14	Q2_N	

Notes:

1. Series capacitor coupled.
2. MGT connections I/O standard not applicable.

PCI Express Endpoint Connectivity

[Figure 2-1, callout 36]

The 4-lane PCI Express® edge connector P3 performs data transfers at the rate of 2.5 GT/s for Gen1 applications, 5.0 GT/s for Gen2 applications, and 8.0 GT/s for Gen3 applications. The PCIe transmit and receive signal data paths have a characteristic impedance of $85\Omega \pm 10\%$. The PCIe clock is routed as a 100 Ω differential pair. The XCZU7EV (-2 speed grade) supports up to Gen3 x8.

The PCIe reference clock input is from the P3 edge connector. It is AC coupled to MPSoC U1 through the MGTREFCLK0 pins of Quad 224. PCIE_CLK_P is connected to U1 pin AB8, and the _N net is connected to pin AB7. The PCI Express clock connection is shown in Figure 3-39 and the PCI Express connector is shown in Figure 3-40.

PCIe lane size is selected by jumper J162 as shown in Figure 3-40. The J162 default = no jumper, which allows the lane size to be selected based on the IP requirements.

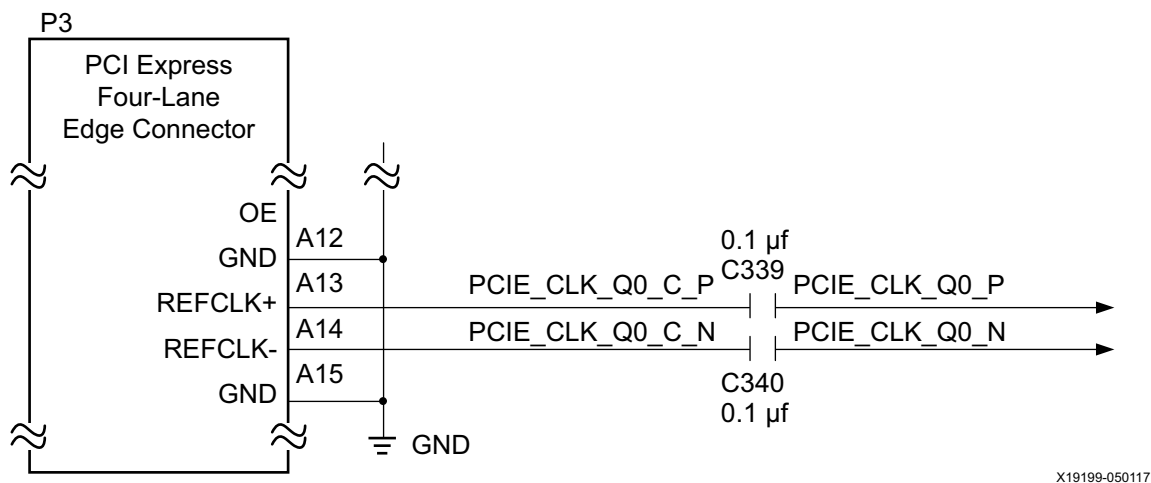
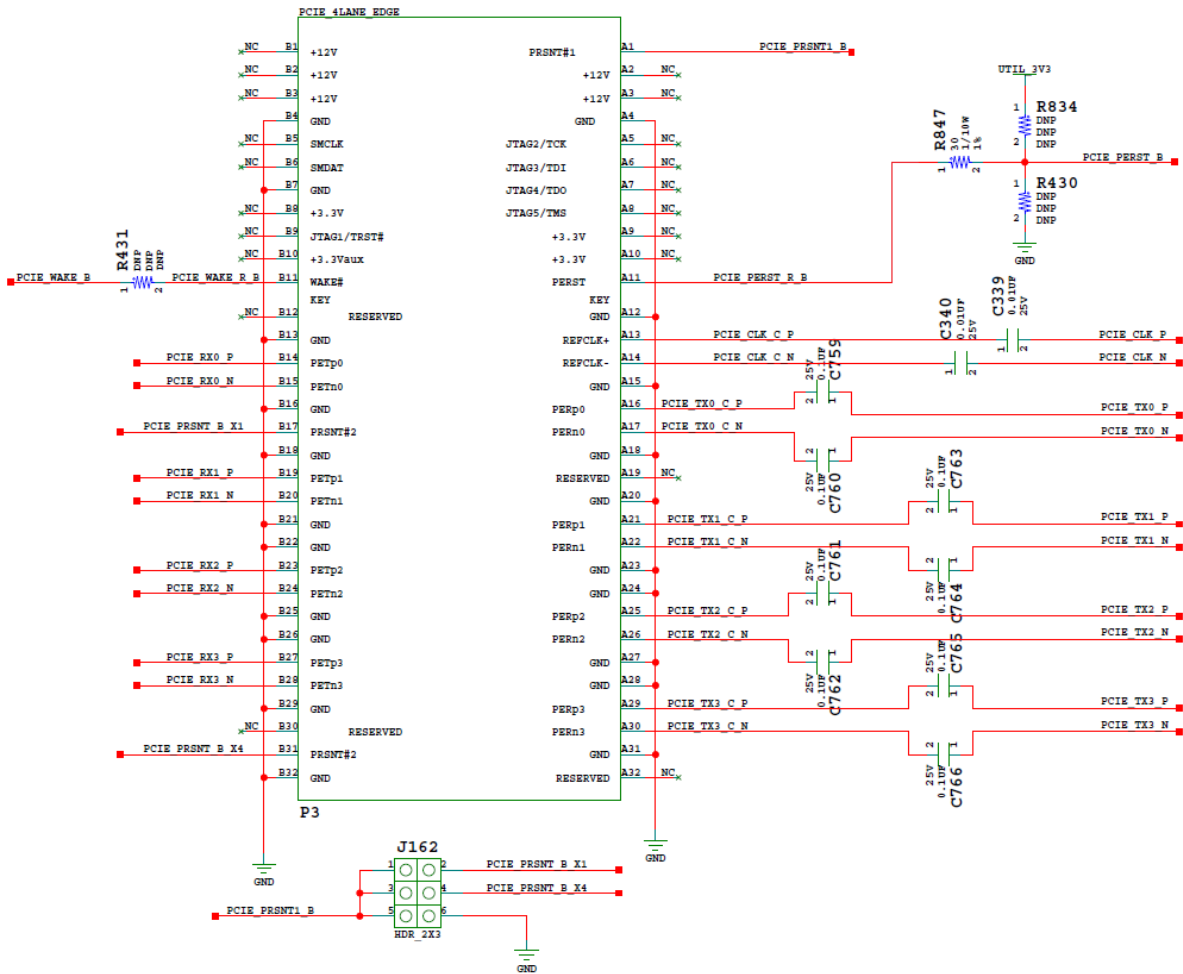


Figure 3-39: PCIe Edge Connector Clock



X19200-050117

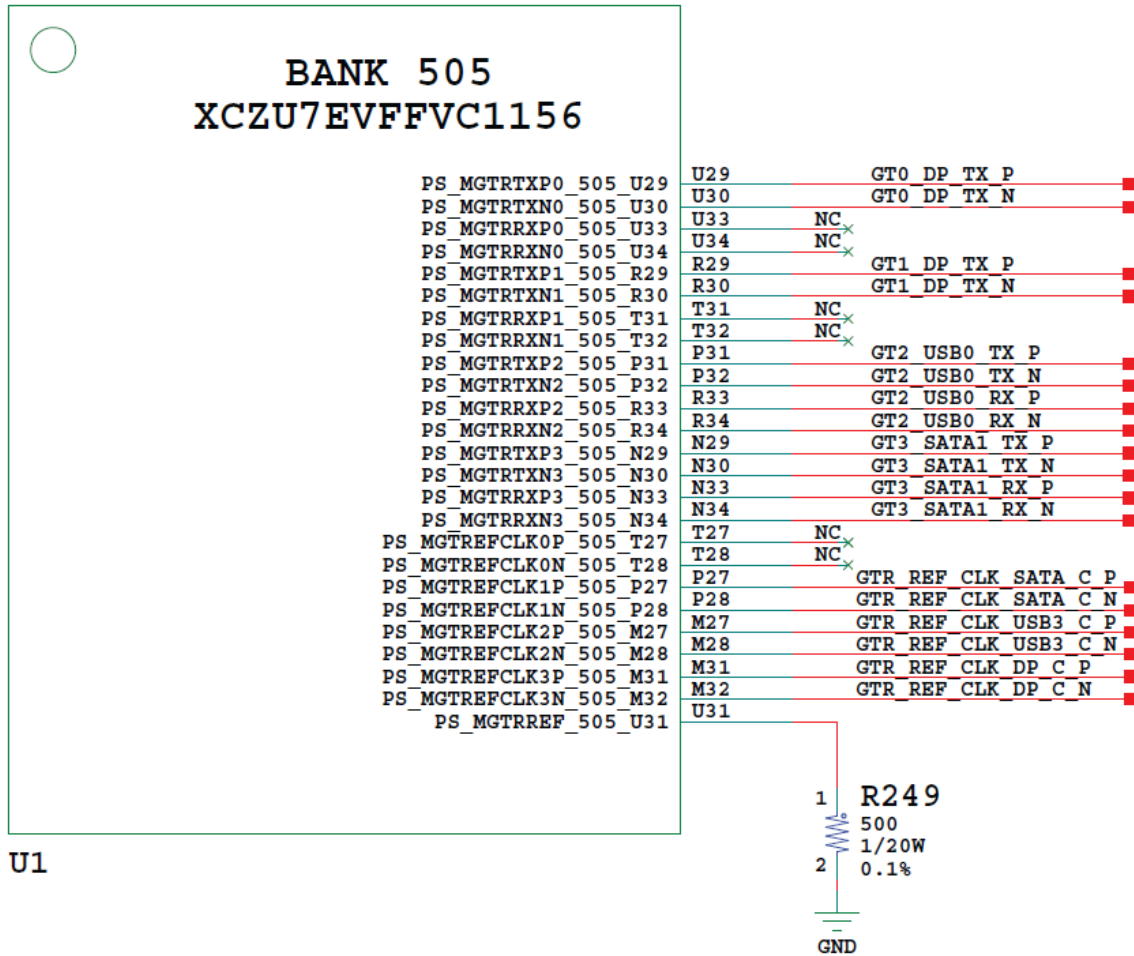
Figure 3-40: PCI Express Connector P3 and Lane Size Select Jumper J162

See Table 3-38 for the PCIe P3 edge connector wiring to MPSoC U1.

PS GTR Transceivers

[Figure 2-1, callout 1]

The PS GTR transceiver bank 505 supports two DisplayPort transmit channels, USB (3.0) and SATA, as shown in Figure 3-41.



X19201-050117

Figure 3-41: PS-GTR Lane Assignments

Bank 505 DP (DisplayPort) lanes 0 and 1 TX support the 2-channel source only PS-side DisplayPort circuitry described in [DisplayPort DPAUX \(MIO 27-30\)](#), page 69.

Bank 505 USB0 lane 2 supports the USB3.0 interface described in [USB 3.0 Transceiver and USB 2.0 ULPI PHY](#), page 40.

Bank 505 SATA1 lane 3 supports SATA connector P9 as shown in [Figure 3-42](#).

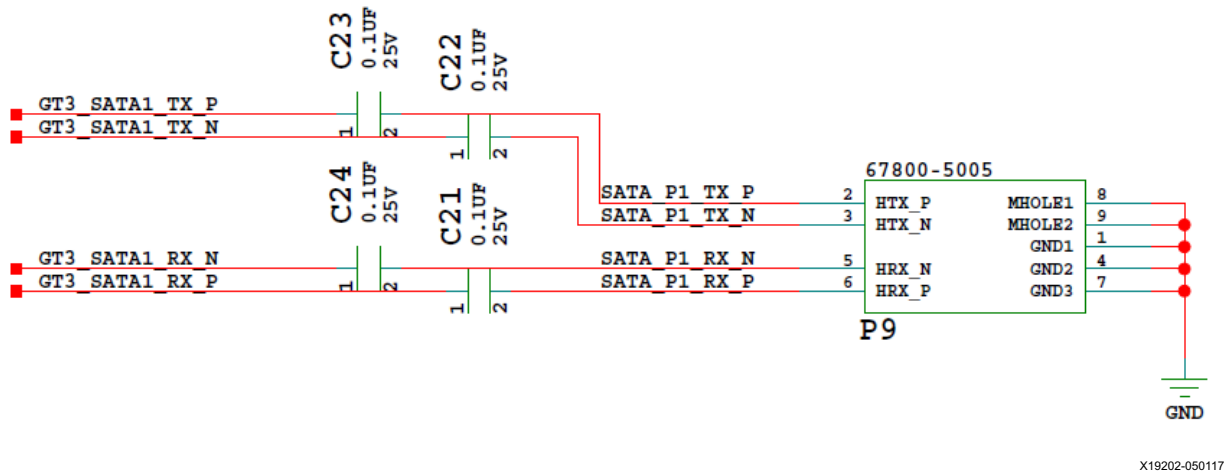


Figure 3-42: PS-GTR SATA

Bank 505 reference clocks are connected to the U69 SI5341B clock generator as described in [SI5341B 10 Independent Output Any-Frequency Clock Generator](#). Bank 505 connections are shown in [Table 3-42](#).

Table 3-42: PS-GTR Bank 505 Interface Connections

XCZU7EV (U1) Pin	XCZU7EV Pin Name	Schematic Net Name ⁽²⁾	Connected To		
			Pin No.	Pin Name	Device
U29	PS_MGTRTXP0	GT0_DP_TX_P ⁽¹⁾	4	ML_LANE1_P	DisplayPort connector P11
U30	PS_MGTRTXN0	GT0_DP_TX_N ⁽¹⁾	6	ML_LANE1_N	
R29	PS_MGTRTXP1	GT1_DP_TX_P ⁽¹⁾	1	ML_LANE0_P	
R30	PS_MGTRTXN1	GT1_DP_TX_N ⁽¹⁾	3	ML_LANE0_N	
U33	PS_MGTRRX0	NC	NA	NA	NA
U34	PS_MGTRRXN0	NC	NA	NA	
T31	PS_MGTRRX1	NC	NA	NA	
T32	PS_MGTRRXN1	NC	NA	NA	
P31	PS_MGTRTXP2	GT2_USB0_TX_P ⁽¹⁾	9	SSTXP	USB J96
P32	PS_MGTRTXN2	GT2_USB0_TX_N ⁽¹⁾	8	SSTXN	
R33	PS_MGTRRX2	GT2_USB0_RX_P	6	SSRXP	
R34	PS_MGTRRXN2	GT2_USB0_RX_N	5	SSRXN	

Table 3-42: PS-GTR Bank 505 Interface Connections (Cont'd)

XCZU7EV (U1) Pin	XCZU7EV Pin Name	Schematic Net Name ⁽²⁾	Connected To		
			Pin No.	Pin Name	Device
N29	PS_MGTRTXP3	GT3_SATA1_TX_P ⁽¹⁾	2	HTX_P	SATA P9
N30	PS_MGTRTXN3	GT3_SATA1_TX_N ⁽¹⁾	3	HTX_N	
N33	PS_MGTRRXP3	GT3_SATA1_RX_P ⁽¹⁾	6	HRX_P	
N34	PS_MGTRRXN3	GT3_SATA1_RX_N ⁽¹⁾	5	HRX_N	
T27	PS_MGTREFCLK0P	NC	NA	NA	NA
T28	PS_MGTREFCLK0N	NC	NA	NA	
P27	PS_MGTREFCLK1P	GTR_REF_CLK_SATA_C_P ⁽¹⁾	35	OUT3_P	SI5341B U69
P28	PS_MGTREFCLK1N	GTR_REF_CLK_SATA_C_N ⁽¹⁾	34	OUT3_N	
M27	PS_MGTREFCLK2P	GTR_REF_CLK_USB3_C_P ⁽¹⁾	31	OUT2_P	
M28	PS_MGTREFCLK2N	GTR_REF_CLK_USB3_C_N ⁽¹⁾	30	OUT2_N	
M31	PS_MGTREFCLK3P	GTR_REF_CLK_DP_C_P ⁽¹⁾	24	OUT0_P	
M32	PS_MGTREFCLK3N	GTR_REF_CLK_DP_C_N ⁽¹⁾	23	OUT0_N	

Notes:

1. Series capacitor coupled.
2. MGT connections I/O standard not applicable.

FPGA Mezzanine Card Interface

[Figure 2-1, callouts 32, 33]

The ZCU106 evaluation board supports the VITA 57.1 FPGA mezzanine card (FMC) specification [Ref 23] by providing subset implementations of high pin count connectors at J5 (HPC0) and J4 (HPC1). HPC connectors use a 10 x 40 form factor, populated with 400 pins. The connectors are keyed so that a mezzanine card, when installed in either of these FMC connectors on the ZCU106 evaluation board, faces away from the board.

FMC HPC0 Connector J5

[Figure 2-1, callout 32]

The FMC connector at J5 (HPC0) implements a subset of the full FMC HPC connectivity:

- 68 single-ended, or 34 differential user-defined pairs (34 LA pairs: LA[00:33])
- Eight GTH transceiver DP differential pairs
- Two GBTCLK differential clocks
- 159 ground and 15 power connections

The ZCU106 board FMC VADJ voltage VADJ_FMC_BUS for the J5 (HPC0) and J4 (HPC1) FMC connectors is determined by the MAX15301 U63 voltage regulator described in [Board Power System, page 122](#). The valid values of the VADJ_FMC rail are 1.2V, 1.5V, and 1.8V. The HPC0 J5 connections to XCZU7EV U1 are shown in [Table 3-43](#) through [Table 3-46](#).

Table 3-43: J5 HPC0 FMC Section A and B Connections to XCZU7EV U1

J5 Pin	Schematic Net Name	I/O Standard	U1 Pin	J5 Pin	Schematic Net Name	I/O Standard	U1 Pin
A2	FMC_HPC0_DP1_M2C_P	(7)	U2	B1	NC		
A3	FMC_HPC0_DP1_M2C_N	(7)	U1	B4	NC		
A6	FMC_HPC0_DP2_M2C_P	(7)	P4	B5	NC		
A7	FMC_HPC0_DP2_M2C_N	(7)	P3	B8	NC		
A10	FMC_HPC0_DP3_M2C_P	(7)	V4	B9	NC		
A11	FMC_HPC0_DP3_M2C_N	(7)	V3	B12	FMC_HPC0_DP7_M2C_P	(7)	J2
A14	FMC_HPC0_DP4_M2C_P	(7)	G2	B13	FMC_HPC0_DP7_M2C_N	(7)	J1
A15	FMC_HPC0_DP4_M2C_N	(7)	G1	B16	FMC_HPC0_DP6_M2C_P	(7)	N2
A18	FMC_HPC0_DP5_M2C_P	(7)	L2	B17	FMC_HPC0_DP6_M2C_N	(7)	N1
A19	FMC_HPC0_DP5_M2C_N	(7)	L1	B20	FMC_HPC0_GBTCLK1_M2C_P	(1)(7)	T8
A22	FMC_HPC0_DP1_C2M_P	(7)	T4	B21	FMC_HPC0_GBTCLK1_M2C_N	(1)(7)	T7
A23	FMC_HPC0_DP1_C2M_N	(7)	T3	B24	NC		
A26	FMC_HPC0_DP2_C2M_P	(7)	N6	B25	NC		
A27	FMC_HPC0_DP2_C2M_N	(7)	N5	B28	NC		
A30	FMC_HPC0_DP3_C2M_P	(7)	U6	B29	NC		
A31	FMC_HPC0_DP3_C2M_N	(7)	U5	B32	FMC_HPC0_DP7_C2M_P	(7)	K4
A34	FMC_HPC0_DP4_C2M_P	(7)	H4	B33	FMC_HPC0_DP7_C2M_N	(7)	K3
A35	FMC_HPC0_DP4_C2M_N	(7)	H3	B36	FMC_HPC0_DP6_C2M_P	(7)	M4
A38	FMC_HPC0_DP5_C2M_P	(7)	L6	B37	FMC_HPC0_DP6_C2M_N	(7)	M3
A39	FMC_HPC0_DP5_C2M_N	(7)	L5	B40	NC		

Notes:

1. Series capacitor coupled to FPGA U1 pin.
2. Connected to I2C switch U135 pins 4 and 5.
3. FPGA U1 JTAG TCK, TMS, TDO pins are buffered by U48 SN74AVC8T245.
4. J5 HPC0 TDO-TDI connections to U27 HPC0 FMC JTAG bypass switch (N.C. normally-closed/bypassing J5 until an FMC card is plugged onto J5).
5. FMC_HPC0_PRSNT_M2C_B is the HPC FMC JTAG bypass switch U27.4 OE control signal, driven by I2C I/O expander U97.13.
6. Sourced from VADJ_FMC_BUS voltage regulator U63 MAX15301 pin 32 power good output signal.
7. U1 MGT (I/O standards do not apply).

Table 3-44: J5 HPC0 FMC Section C and D Connections to XCZU7EV U1

J5 Pin	Schematic Net Name	I/O Standard	U1 Pin	J5 Pin	Schematic Net Name	I/O Standard	U1 Pin
C2	FMC_HPC0_DP0_C2M_P	(7)	R6	D1	VADJ_FMC_PGOOD (6)		
C3	FMC_HPC0_DP0_C2M_N	(7)	R5	D4	FMC_HPC0_GBTCLK0_M2C_P (1)	(1)(7)	V8
C6	FMC_HPC0_DP0_M2C_P	(7)	R2	D5	FMC_HPC0_GBTCLK0_M2C_N (1)	(1)(7)	V7
C7	FMC_HPC0_DP0_M2C_N	(7)	R1	D8	FMC_HPC0_LA01_CC_P	LVC MOS18	H18
C10	FMC_HPC0_LA06_P	LVC MOS18	H19	D9	FMC_HPC0_LA01_CC_N	LVC MOS18	H17
C11	FMC_HPC0_LA06_N	LVC MOS18	G19	D11	FMC_HPC0_LA05_P	LVC MOS18	K17
C14	FMC_HPC0_LA10_P	LVC MOS18	L15	D12	FMC_HPC0_LA05_N	LVC MOS18	J17
C15	FMC_HPC0_LA10_N	LVC MOS18	K15	D14	FMC_HPC0_LA09_P	LVC MOS18	H16
C18	FMC_HPC0_LA14_P	LVC MOS18	C13	D15	FMC_HPC0_LA09_N	LVC MOS18	G16
C19	FMC_HPC0_LA14_N	LVC MOS18	C12	D17	FMC_HPC0_LA13_P	LVC MOS18	G15
C22	FMC_HPC0_LA18_CC_P	LVC MOS18	D11	D18	FMC_HPC0_LA13_N	LVC MOS18	F15
C23	FMC_HPC0_LA18_CC_N	LVC MOS18	D10	D20	FMC_HPC0_LA17_CC_P	LVC MOS18	F11
C26	FMC_HPC0_LA27_P	LVC MOS18	A8	D21	FMC_HPC0_LA17_CC_N	LVC MOS18	E10
C27	FMC_HPC0_LA27_N	LVC MOS18	A7	D23	FMC_HPC0_LA23_P	LVC MOS18	B11
C30	FMC_HPC0_IIC_SCL	(2)		D24	FMC_HPC0_LA23_N	LVC MOS18	A11
C31	FMC_HPC0_IIC_SDA	(2)		D26	FMC_HPC0_LA26_P	LVC MOS18	B9
C34	GND			D27	FMC_HPC0_LA26_N	LVC MOS18	B8
C35	VCC12_SW			D29	FMC_HPC0_TCK_BUF	(3)	
C37	VCC12_SW			D30	FPGA_TDO_FMC_TDI_BUF	(4)	
C39	UTIL_3V3			D31	FMC_HPC0_TDO_HPC1_TDI	(3)(4)	
				D32	UTIL_3V3		
				D33	FMC_HPC0_TMS_BUF	(3)	
				D34	NC		
				D35	GND		
				D36	UTIL_3V3		
				D38	UTIL_3V3		
				D40	UTIL_3V3		

Notes:

- Series capacitor coupled to FPGA U1 pin.
- Connected to I2C switch U135 pins 4 and 5.
- FPGA U1 JTAG TCK, TMS, TDO pins are buffered by U48 SN74AVC8T245.
- J5 HPC0 TDO-TDI connections to U27 HPC0 FMC JTAG bypass switch (N.C. normally-closed/bypassing J5 until an FMC card is plugged onto J5).
- FMC_HPC0_PRSENT_M2C_B is the HPC FMC JTAG bypass switch U27.4 OE control signal, driven by I2C I/O expander U97.13.
- Sourced from VADJ_FMC_BUS voltage regulator U63 MAX15301 pin 32 power good output signal.
- U1 MGT (I/O standards do not apply).

Table 3-45: J5 HPC0 FMC Section E and F Connections to XCZU7EV U1

J5 Pin	Schematic Net Name	I/O Standard	U1 Pin	J5 Pin	Schematic Net Name	I/O Standard	U1 Pin
E2	NC			F1	FMC_HPC0_PG_M2C	P/U to 3.3V via R277	
E3	NC			F4	NC		
E6	NC			F5	NC		
E7	NC			F7	NC		
E9	NC			F8	NC		
E10	NC			F10	NC		
E12	NC			F11	NC		
E13	NC			F13	NC		
E15	NC			F14	NC		
E16	NC			F16	NC		
E18	NC			F17	NC		
E19	NC			F19	NC		
E21	NC			F20	NC		
E22	NC			F22	NC		
E24	NC			F23	NC		
E25	NC			F25	NC		
E27	NC			F26	NC		
E28	NC			F28	NC		
E30	NC			F29	NC		
E31	NC			F31	NC		
E33	NC			F32	NC		
E34	NC			F34	NC		
E36	NC			F35	NC		
E37	NC			F37	NC		
E39	VADJ_FMC_BUS			F38	NC		
				F40	VADJ_FMC_BUS		

Table 3-46: J5 HPC0 FMC Section G and H Connections to XCZU7EV U1

J5 Pin	Schematic Net Name	I/O Standard	U1 Pin	J5 Pin	Schematic Net Name	I/O Standard	U1 Pin
G2	FMC_HPC0_CLK1_M2C_P	LVDS	G10	H1	NC		
G3	FMC_HPC0_CLK1_M2C_N	LVDS	F10	H2	FMC_HPC0_PRSNT_M2C_B	(5)	
G6	FMC_HPC0_LA00_CC_P	LVDS	F17	H4	FMC_HPC0_CLK0_M2C_P	LVDS	E15
G7	FMC_HPC0_LA00_CC_N	LVDS	F16	H5	FMC_HPC0_CLK0_M2C_N	LVDS	E14
G9	FMC_HPC0_LA03_P	LVC MOS18	K19	H7	FMC_HPC0_LA02_P	LVC MOS18	L20
G10	FMC_HPC0_LA03_N	LVC MOS18	K18	H8	FMC_HPC0_LA02_N	LVC MOS18	K20
G12	FMC_HPC0_LA08_P	LVC MOS18	E18	H10	FMC_HPC0_LA04_P	LVC MOS18	L17
G13	FMC_HPC0_LA08_N	LVC MOS18	E17	H11	FMC_HPC0_LA04_N	LVC MOS18	L16
G15	FMC_HPC0_LA12_P	LVC MOS18	G18	H13	FMC_HPC0_LA07_P	LVC MOS18	J16
G16	FMC_HPC0_LA12_N	LVC MOS18	F18	H14	FMC_HPC0_LA07_N	LVC MOS18	J15
G18	FMC_HPC0_LA16_P	LVC MOS18	D17	H16	FMC_HPC0_LA11_P	LVC MOS18	A13
G19	FMC_HPC0_LA16_N	LVC MOS18	C17	H17	FMC_HPC0_LA11_N	LVC MOS18	A12
G21	FMC_HPC0_LA20_P	LVC MOS18	F12	H19	FMC_HPC0_LA15_P	LVC MOS18	D16
G22	FMC_HPC0_LA20_N	LVC MOS18	E12	H20	FMC_HPC0_LA15_N	LVC MOS18	C16
G24	FMC_HPC0_LA22_P	LVC MOS18	H13	H22	FMC_HPC0_LA19_P	LVC MOS18	D12
G25	FMC_HPC0_LA22_N	LVC MOS18	H12	H23	FMC_HPC0_LA19_N	LVC MOS18	C11
G27	FMC_HPC0_LA25_P	LVC MOS18	C7	H25	FMC_HPC0_LA21_P	LVC MOS18	B10
G28	FMC_HPC0_LA25_N	LVC MOS18	C6	H26	FMC_HPC0_LA21_N	LVC MOS18	A10
G30	FMC_HPC0_LA29_P	LVC MOS18	K10	H28	FMC_HPC0_LA24_P	LVC MOS18	B6
G31	FMC_HPC0_LA29_N	LVC MOS18	J10	H29	FMC_HPC0_LA24_N	LVC MOS18	A6
G33	FMC_HPC0_LA31_P	LVC MOS18	F7	H31	FMC_HPC0_LA28_P	LVC MOS18	M13
G34	FMC_HPC0_LA31_N	LVC MOS18	E7	H32	FMC_HPC0_LA28_N	LVC MOS18	L13
G36	FMC_HPC0_LA33_P	LVC MOS18	C9	H34	FMC_HPC0_LA30_P	LVC MOS18	E9
G37	FMC_HPC0_LA33_N	LVC MOS18	C8	H35	FMC_HPC0_LA30_N	LVC MOS18	D9
G39	VADJ_FMC_BUS			H37	FMC_HPC0_LA32_P	LVC MOS18	F8
				H38	FMC_HPC0_LA32_N	LVC MOS18	E8
				H40	VADJ_FMC_BUS		

Notes:

1. Series capacitor coupled to FPGA U1 pin.
2. Connected to I2C switch U135 pins 4 and 5.
3. FPGA U1 JTAG TCK, TMS, TDO pins are buffered by U48 SN74AVC8T245.
4. J5 HPC0 TDO-TDI connections to U27 HPC0 FMC JTAG bypass switch (N.C. normally-closed/bypassing J5 until an FMC card is plugged onto J5).
5. FMC_HPC0_PRSNT_M2C_B is the HPC FMC JTAG bypass switch U27.4 OE control signal, driven by I2C I/O expander U97.13.
6. Sourced from VADJ_FMC_BUS voltage regulator U63 MAX15301 pin 32 power good output signal.
7. U1 MGT (I/O standards do not apply).

Table 3-47: J5 HPC0 FMC Section J and K Connections to XCZU7EV U1

J5 Pin	Schematic Net Name	I/O Standard	U1 Pin	J5 Pin	Schematic Net Name	I/O Standard	U1 Pin
J2	NC			K1	NC		
J3	NC			K4	NC		
J6	NC			K5	NC		
J7	NC			K7	NC		
J9	NC			K8	NC		
J10	NC			K10	NC		
J12	NC			K11	NC		
J13	NC			K13	NC		
J15	NC			K14	NC		
J16	NC			K16	NC		
J18	NC			K17	NC		
J19	NC			K19	NC		
J21	NC			K20	NC		
J22	NC			K22	NC		
J24	NC			K23	NC		
J25	NC			K25	NC		
J27	NC			K26	NC		
J28	NC			K28	NC		
J30	NC			K29	NC		
J31	NC			K31	NC		
J33	NC			K32	NC		
J34	NC			K34	NC		
J36	NC			K35	NC		
J37	NC			K37	NC		
J39	NC			K38	NC		
				K40	NC		

FMC HPC1 Connector J4

[Figure 2-1, callout 33]

The FMC connector at J4 (HPC1) implements a subset of the full FMC HPC connectivity:

- 34 single-ended, or 17 differential user-defined pairs (LA[00:16])
- One GTH transceiver DP differential pair
- One GBTCLK differential clocks
- 159 ground and 15 power connections

The ZCU106 board FMC VADJ voltage VADJ_FMC_BUS for the J5 (HPC0) and J4 (HPC1) FMC connectors is determined by the MAX15301 U63 voltage regulator described in [Board Power System](#). The valid values of the VADJ_FMC rail are 1.2V, 1.5V, and 1.8V. The HPC1 J4 connections to XCZU7EV U1 are shown in [Table 3-48](#) through [Table 3-52](#).

Table 3-48: J4 HPC1 FMC Section A and B Connections to XCZU7EV U1

J4 Pin	Schematic Net Name	I/O Standard	U1 Pin	J4 Pin	Schematic Net Name	I/O Standard	U1 Pin
A2	NC			B1	NC		
A3	NC			B4	NC		
A6	NC			B5	NC		
A7	NC			B8	NC		
A10	NC			B9	NC		
A11	NC			B12	NC		
A14	NC			B13	NC		
A15	NC			B16	NC		
A18	NC			B17	NC		
A19	NC			B20	NC		
A22	NC			B21	NC		
A23	NC			B24	NC		
A26	NC			B25	NC		
A27	NC			B28	NC		
A30	NC			B29	NC		
A31	NC			B32	NC		
A34	NC			B33	NC		
A35	NC			B36	NC		
A38	NC			B37	NC		
A39	NC			B40	NC		

Table 3-49: J4 HPC1 FMC Section C and D Connections to XCZU7EV U1

J4 Pin	Schematic Net Name	I/O Standard	U1 Pin	J4 Pin	Schematic Net Name	I/O Standard	U1 Pin
C2	FMC_HPC1_DP0_C2M_P	(7)	AJ6	D1	VADJ_FMC_PGOOD (6)		
C3	FMC_HPC1_DP0_C2M_N	(7)	AJ5	D4	FMC_HPC1_GBTCLK0_M2C_P	(1)(7)	Y8
C6	FMC_HPC1_DP0_M2C_P	(6)	AK4	D5	FMC_HPC1_GBTCLK0_M2C_N	(1)(6)	Y7
C7	FMC_HPC1_DP0_M2C_N	(7)	AK3	D8	FMC_HPC1_LA01_CC_P	LVDS	E24
C10	FMC_HPC1_LA06_P	LVDS	H21	D9	FMC_HPC1_LA01_CC_N	LVDS	D24
C11	FMC_HPC1_LA06_N	LVDS	H22	D11	FMC_HPC1_LA05_P	LVDS	G25
C14	FMC_HPC1_LA10_P	LVDS	F22	D12	FMC_HPC1_LA05_N	LVDS	G26
C15	FMC_HPC1_LA10_N	LVDS	E22	D14	FMC_HPC1_LA09_P	LVDS	G20
C18	FMC_HPC1_LA14_P	LVDS	D20	D15	FMC_HPC1_LA09_N	LVDS	F20
C19	FMC_HPC1_LA14_N	LVDS	D21	D17	FMC_HPC1_LA13_P	LVDS	C21
C22	NC			D18	FMC_HPC1_LA13_N	LVDS	C22
C23	NC			D20	NC		
C26	NC			D21	NC		
C27	NC			D23	NC		
C30	FMC_HPC1_IIC_SCL	(2)		D24	NC		
C31	FMC_HPC1_IIC_SDA	(2)		D26	NC		
C34	GND			D27	NC		
C35	VCC12_SW			D29	FMC_HPC1_TCK_BUF	(3)	
C37	VCC12_SW			D30	FPGA_TDO_FMC_TDI_BUF	(4)	
C39	UTIL_3V3			D31	FMC_HPC1_TDO_HPC1_TDI	(3)(4)	
				D32	UTIL_3V3		
				D33	FMC_HPC1_TMS_BUF	(3)	
				D34	NC		
				D35	GND		
				D36	UTIL_3V3		
				D38	UTIL_3V3		
				D40	UTIL_3V3		

Notes:

- Series capacitor coupled to FPGA U1 pin.
- Connected to I2C switch U135 pins 6 and 7.
- FPGA U1 JTAG TCK, TMS, and TDO pins are buffered by U48 SN74AVC8T245.
- J4 HPC1 TDO-TDI connections to U24 HPC1 FMC JTAG bypass switch (N.C. normally-closed/bypassing J4 until an FMC card is plugged onto J4).
- Sourced from VADJ_FMC_BUS voltage regulator U63 MAX15301 pin 32 power good output signal.
- U1 MGT (I/O standards do not apply).

Table 3-50: J4 HPC1 FMC Section E and F Connections to XCZU7EV U1

J4 Pin	Schematic Net Name	I/O Standard	U1 Pin	J4 Pin	Schematic Net Name	I/O Standard	U1 Pin
E2	NC			F1	FMC_HPC1_PG_M2C	P/U to 3.3V via R250	
E3	NC			F4	NC		
E6	NC			F5	NC		
E7	NC			F7	NC		
E9	NC			F8	NC		
E10	NC			F10	NC		
E12	NC			F11	NC		
E13	NC			F13	NC		
E15	NC			F14	NC		
E16	NC			F16	NC		
E18	NC			F17	NC		
E19	NC			F19	NC		
E21	NC			F20	NC		
E22	NC			F22	NC		
E24	NC			F23	NC		
E25	NC			F25	NC		
E27	NC			F26	NC		
E28	NC			F28	NC		
E30	NC			F29	NC		
E31	NC			F31	NC		
E33	NC			F32	NC		
E34	NC			F34	NC		
E36	NC			F35	NC		
E37	NC			F37	NC		
E39	VADJ_FMC_BUS			F38	NC		
				F40	VADJ_FMC_BUS		

Table 3-51: J4 HPC1 FMC Section G and H Connections to XCZU7EV U1

J4 Pin	Schematic Net Name	I/O Standard	U1 Pin	J4 Pin	Schematic Net Name	I/O Standard	U1 Pin
G2	FMC_HPC1_CLK1_M2C_P	LVDS		H1	NC		
G3	FMC_HPC1_CLK1_M2C_N	LVDS		H2	FMC_HPC1_PRSNT_M2C_B	(1)	
G6	FMC_HPC1_LA00_CC_P	LVDS	B18	H4	FMC_HPC1_CLK0_M2C_P	LVDS	F23
G7	FMC_HPC1_LA00_CC_N	LVDS	B19	H5	FMC_HPC1_CLK0_M2C_N	LVDS	E23
G9	FMC_HPC1_LA03_P	LVDS	J21	H7	FMC_HPC1_LA02_P	LVDS	K22
G10	FMC_HPC1_LA03_N	LVDS	J22	H8	FMC_HPC1_LA02_N	LVDS	K23
G12	FMC_HPC1_LA08_P	LVDS	J25	H10	FMC_HPC1_LA04_P	LVDS	J24
G13	FMC_HPC1_LA08_N	LVDS	H26	H11	FMC_HPC1_LA04_N	LVDS	H24
G15	FMC_HPC1_LA12_P	LVDS	E19	H13	FMC_HPC1_LA07_P	LVDS	D22
G16	FMC_HPC1_LA12_N	LVDS	D19	H14	FMC_HPC1_LA07_N	LVDS	C23
G18	FMC_HPC1_LA16_P	LVDS	C18	H16	FMC_HPC1_LA11_P	LVDS	A20
G19	FMC_HPC1_LA16_N	LVDS	C19	H17	FMC_HPC1_LA11_N	LVDS	A21
G21	NC			H19	FMC_HPC1_LA15_P	LVDS	A18
G22	NC			H20	FMC_HPC1_LA15_N	LVDS	A19
G24	NC			H22	NC		
G25	NC			H23	NC		
G27	NC			H25	NC		
G28	NC			H26	NC		
G30	NC			H28	NC		
G31	NC			H29	NC		
G33	NC			H31	NC		
G34	NC			H32	NC		
G36	NC			H34	NC		
G37	NC			H35	NC		
G39	VADJ_FMC_BUS			H37	NC		
				H38	NC		
				H40	VADJ_FMC_BUS		

Notes:

1. FMC_HPC1_PRSNT_M2C_B is the HPC FMC JTAG bypass switch U24.4 OE control signal is driven from I2C I/O expander U97.14.

Table 3-52: J4 HPC1 FMC Section J and K Connections to XCZU7EV U1

J4 Pin	Schematic Net Name	I/O Standard	U1 Pin	J4 Pin	Schematic Net Name	I/O Standard	U1 Pin
J2	NC			K1	NC		
J3	NC			K4	NC		
J6	NC			K5	NC		
J7	NC			K7	NC		
J9	NC			K8	NC		
J10	NC			K10	NC		
J12	NC			K11	NC		
J13	NC			K13	NC		
J15	NC			K14	NC		
J16	NC			K16	NC		
J18	NC			K17	NC		
J19	NC			K19	NC		
J21	NC			K20	NC		
J22	NC			K22	NC		
J24	NC			K23	NC		
J25	NC			K25	NC		
J27	NC			K26	NC		
J28	NC			K28	NC		
J30	NC			K29	NC		
J31	NC			K31	NC		
J33	NC			K32	NC		
J34	NC			K34	NC		
J36	NC			K35	NC		
J37	NC			K37	NC		
J39	NC			K38	NC		
				K40	NC		

Cooling Fan Connector

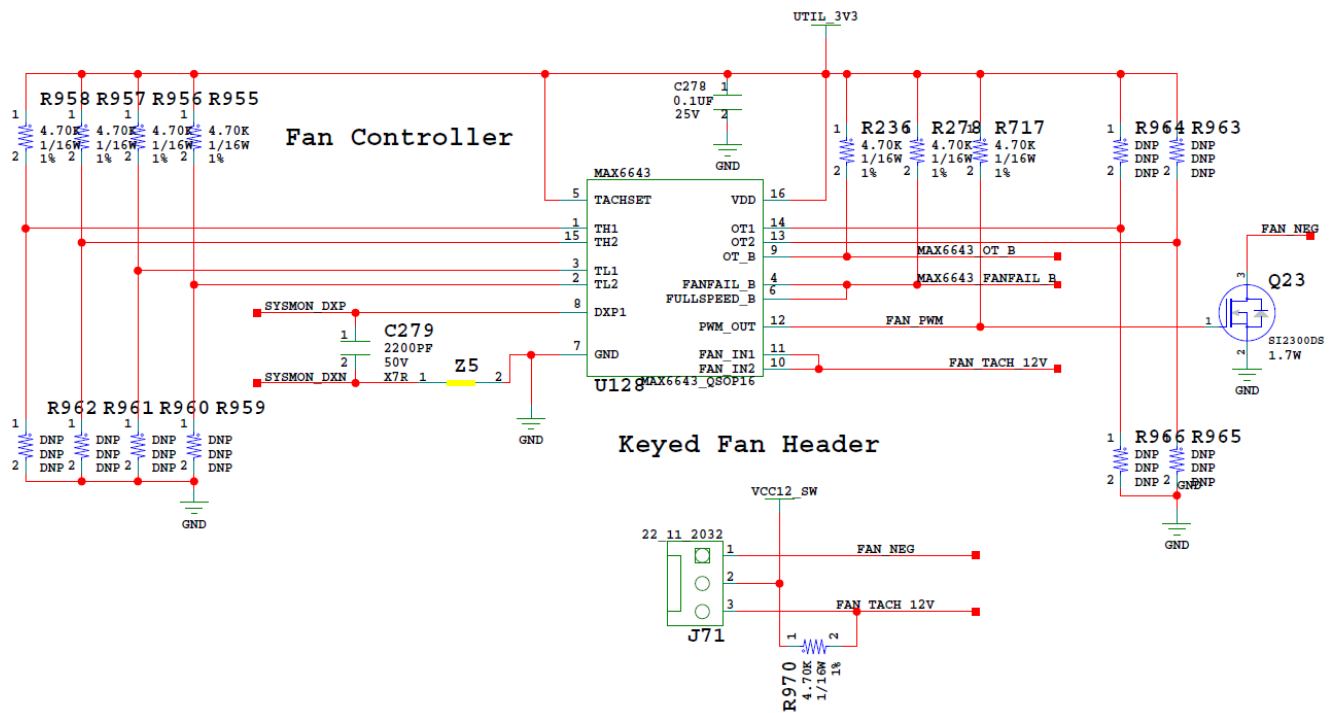
[Figure 2-1, near callout 10]

The ZCU106 cooling fan connector is shown in Figure 3-43.

The ZCU106 uses the Maxim MAX6643 fan controller, which autonomously controls the fan speed by controlling the pulse width modulation (PWM) signal to the fan based on the die temperature sensed via the FPGA's DXP and DXN pins. The fan rotates slowly (acoustically quiet) when the FPGA is cool and rotates faster as the FPGA heats up (acoustically noisy).

The fan speed (PWM) versus the FPGA die temperature algorithm along with the over temperature set point and fan failure alarm mechanisms are defined by the strapping resistors on the MAX6643 device. The over temperature and fan failures alarms can be monitored by the any available processor in the FPGA by polling the I2C expander, U97. See the MAX6643 [Ref 22] data sheet for more information on the device circuit implementation on this board.

Note: At initial power on, it is normal for the fan controller to energize at full speed for a few seconds.



X19203-052417

Figure 3-43: ZCU106 12V Fan Controller

VADJ_FMC Power Rail

The ZCU106 evaluation board implements the ANSI/VITA 57.1 section 5.5.1 IPMI support functionality. The power control of the V_{ADJ_FMC} power rail is managed by the U41 system controller. This rail powers both the FMC HPC0 (J5) and the FMC HPC1 (J4) V_{ADJ} pins, as well as the XCZU7EV HP banks 28, 67, and 68. The valid values of the V_{ADJ_FMC} rail are 1.2V, 1.5V, and 1.8V.

At power on, the system controller detects if an FMC module is connected to each interface:

- If no cards are attached to the FMC ports, the V_{ADJ} voltage is set to 1.8V.
- When one FMC card is attached, its IIC EEPROM is read to find a V_{ADJ} voltage supported by both the ZCU106 board and the FMC module, within the available choices of 1.8V, 1.5V, 1.2V, and 0.0V.
- When two FMC cards are attached with differing V_{ADJ} requirements, V_{ADJ_FMC} is set to the lowest value compatible with the ZCU106 board and the FMC modules, within the available choices of 1.8V, 1.5V, 1.2V, and 0.0V.
- If no valid information is found in an FMC card IIC EEPROM, the V_{ADJ_FMC} rail is set to 0.0V.

The system controller user interface allows the FMC IPMI routine to be overridden and an explicit value can be set for the V_{ADJ_FMC} rail. Override mode is useful for FMC mezzanine cards that do not contain valid IPMI EPROM data defined by the ANSI/VITA57.1 specification.

TI MSP430 System Controller

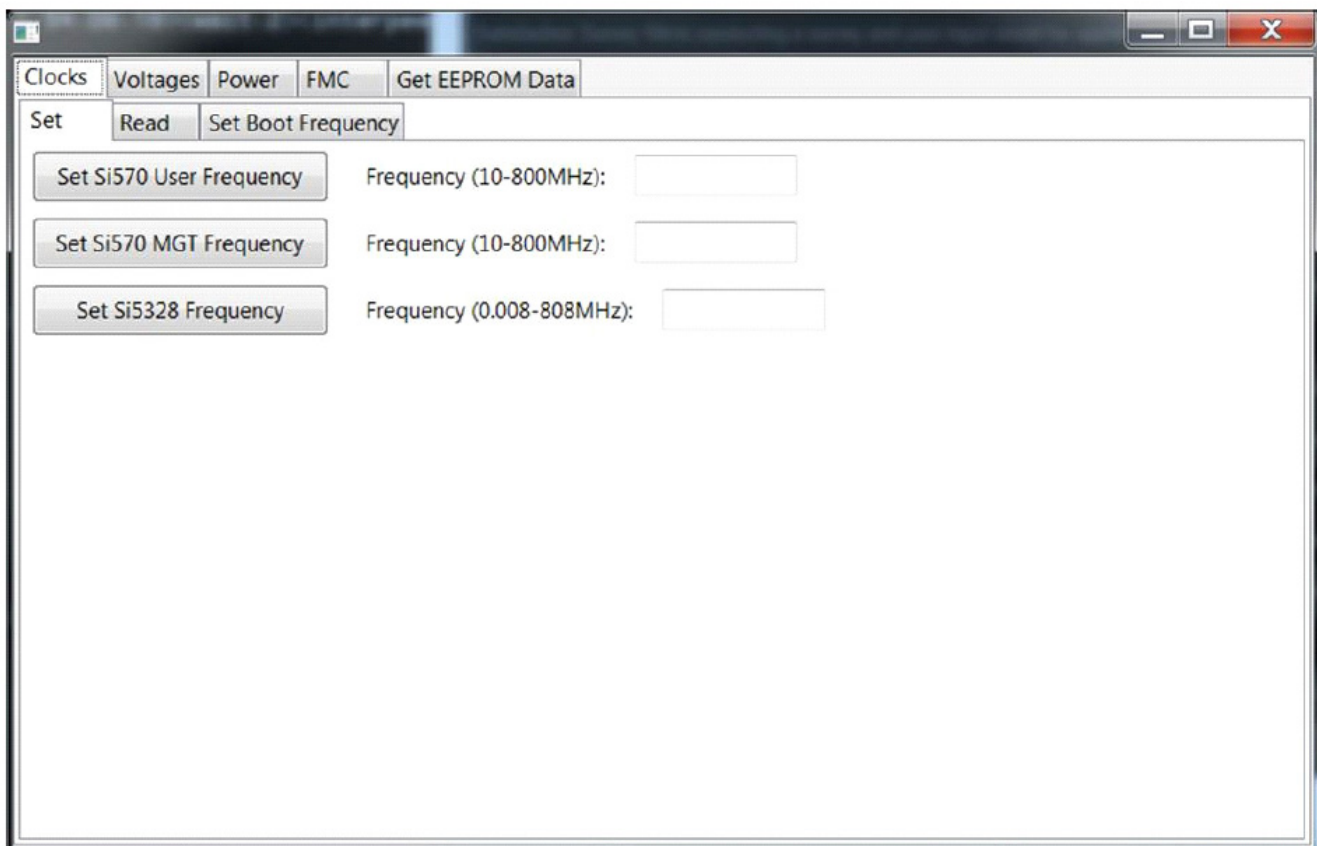
[Figure 2-1, callout 19]

The ZCU106 board includes an on-board MSP430 with integrated power advantage demonstration and system controller firmware. A host PC resident system controller user interface (SCUI) is provided on the ZCU106 web page. This GUI enables you to query and control select programmable features such as clocks, FMC functionality, and power system parameters. The ZCU106 web page also includes a tutorial on the SCUI (XTP433) [Ref 12] and board setup instructions (XTP435) [Ref 13].

The board setup instructions are summarized here:

1. Ensure that the Silicon Labs VCP USB-UART drivers are installed (see [Ref 8]).
2. Download the SCUI host PC application.
3. Connect the micro-USB to ZCU106 USB-UART connector (J83).
4. Power-cycle the ZCU106.
5. Observe that SYSCTLR LED0 (DS47) blinks and LED1 DS46 is illuminated.
6. Launch the SCUI.

The SCUI GUI is shown in [Figure 3-44](#).



X19204-050117

Figure 3-44: System Controller User Interface

On first use of the SCUI, select **FMC > Set VADJ > Boot-up** and click **USE FMC EEPROM Voltage**. The SCUI buttons are grayed out during command execution and return to their original appearance when ready to accept a new command.

See the *System Controller GUI Tutorial* (XTP433) [Ref 12] and the *ZCU106 Software Install and Board Setup Tutorial* (XTP435) [Ref 13] for more information on installing and using the system controller utility.

Switches

[Figure 2-1, callouts 27, 29, 31, and 46]

The ZCU106 board includes power, configuration, and reset switches:

- SW1 power on/off slide switch (callout 29)
- SW5 (PS_PROG_B), active-Low pushbutton (callout 31)
- SW3 (SRST_B), active-Low pushbutton (callout 27)
- SW4 (POR_B), active-Low pushbutton (callout 27)
- SW6 U1 MPSoC PS bank 503 4-pole mode DIP switch (callout 46)

Power On/Off Slide Switch

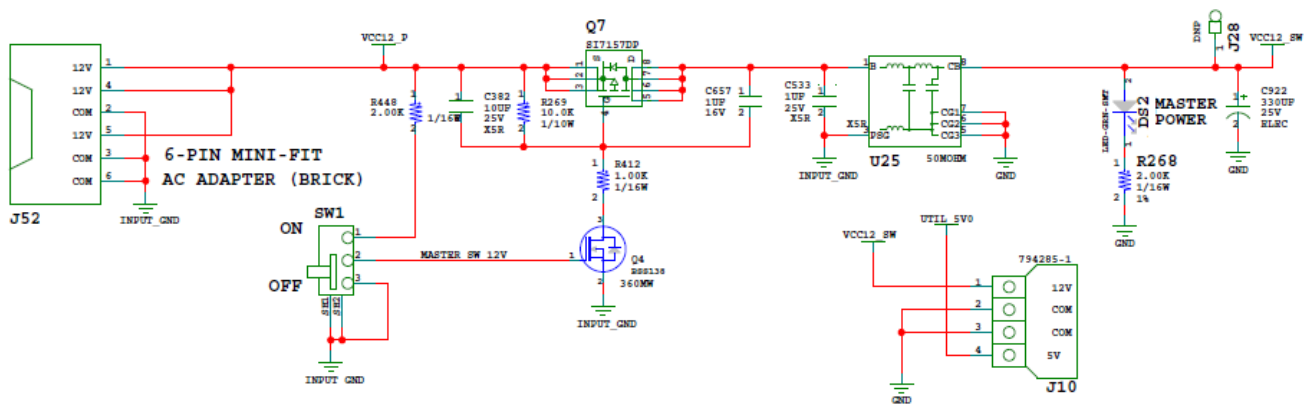
[Figure 2-1, callout 29]

The ZCU106 board power switch is SW1. Sliding the switch actuator from the off to the on position applies 12V power from J52, a 6-pin mini-fit connector. Green LED DS2 illuminates when the ZCU106 board power is on. See [Board Power System](#) for details on the on-board power system.



CAUTION! Do NOT plug a PC ATX power supply 6-pin connector into the ZCU106 board power connector J52. The ATX 6-pin connector has a different pin-out than J52. Connecting an ATX 6-pin connector into J52 damages the ZCU106 board and voids the board warranty.

Figure 3-45 shows the power connector J52, power switch SW1, and LED indicator DS2.



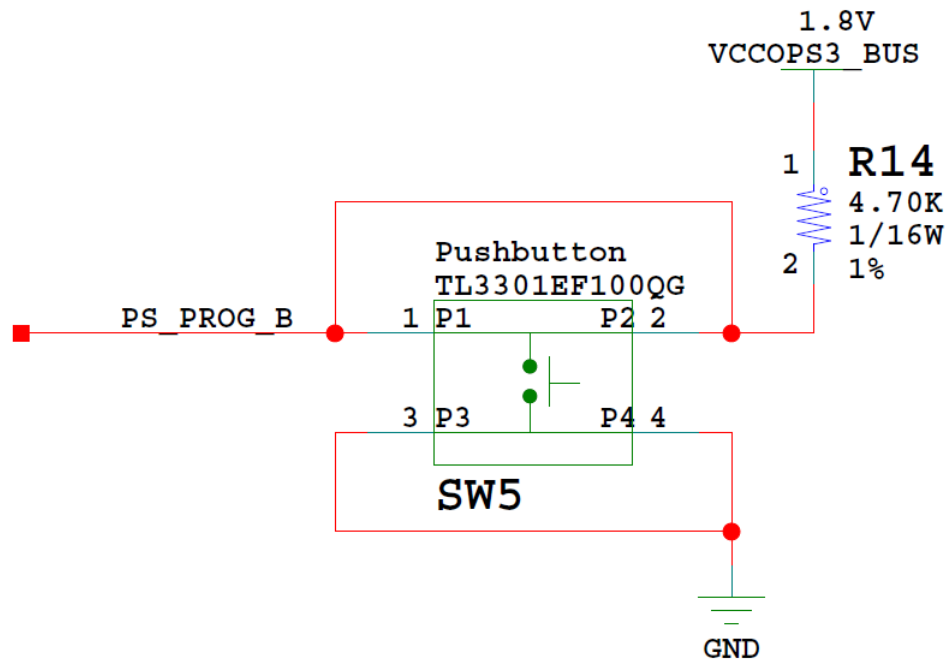
X16548-050117

Figure 3-45: Power Input

Program_B Pushbutton

[Figure 2-1, callout 31]

PS_PROG_B pushbutton switch SW5 grounds the XCZU7EV MPSoC PS_PROG_B pin T24 when pressed (see Figure 3-46). This action clears the programmable logic configuration, which can then be acted on by the PS software. See the *Zynq UltraScale+ MPSoC Technical Reference Manual* (UG1085) [Ref 3] for information about Zynq UltraScale+ MPSoC configuration.



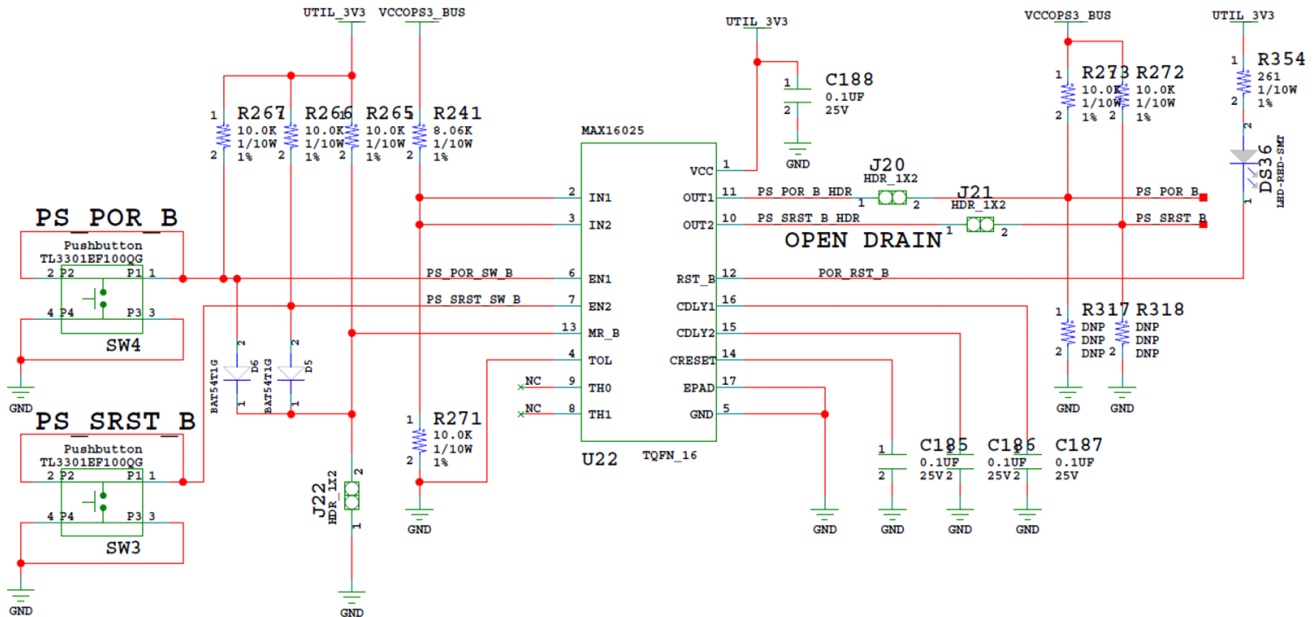
X16549-052417

Figure 3-46: PS_PROG_B Pushbutton Switch SW5

System Reset Pushbuttons

[Figure 2-1, callout 27]

Figure 3-47 shows the reset circuitry for the PS.



X16550-050117

Figure 3-47: PS SRST_B and POR_B Pushbutton Switches SW3 and SW4

PS_POR_B Reset

Depressing and then releasing pushbutton SW4 causes net PS_POR_B to strobe Low. This reset is used to hold the PS in reset until all PS power supplies are at the required voltage levels. It must be held Low through PS power-up. PS_POR_B should be generated by the power supply power-good signal. When the voltage at IN1 is below its threshold or EN1 (P.B. switch SW4 is pressed) goes Low, OUT1 (PS_POR_B) goes Low.

PS_SRST_B Reset

Depressing and then releasing pushbutton SW3 causes net PS_SRST_B to strobe Low. This reset is used to force a system reset. It can be tied or pulled High, and can be High during the PS supply power ramps. When the voltage at IN2 is below its threshold or EN2 (P.B. switch SW3 is pressed) goes Low, OUT2 (PS_SRST_B) goes Low.

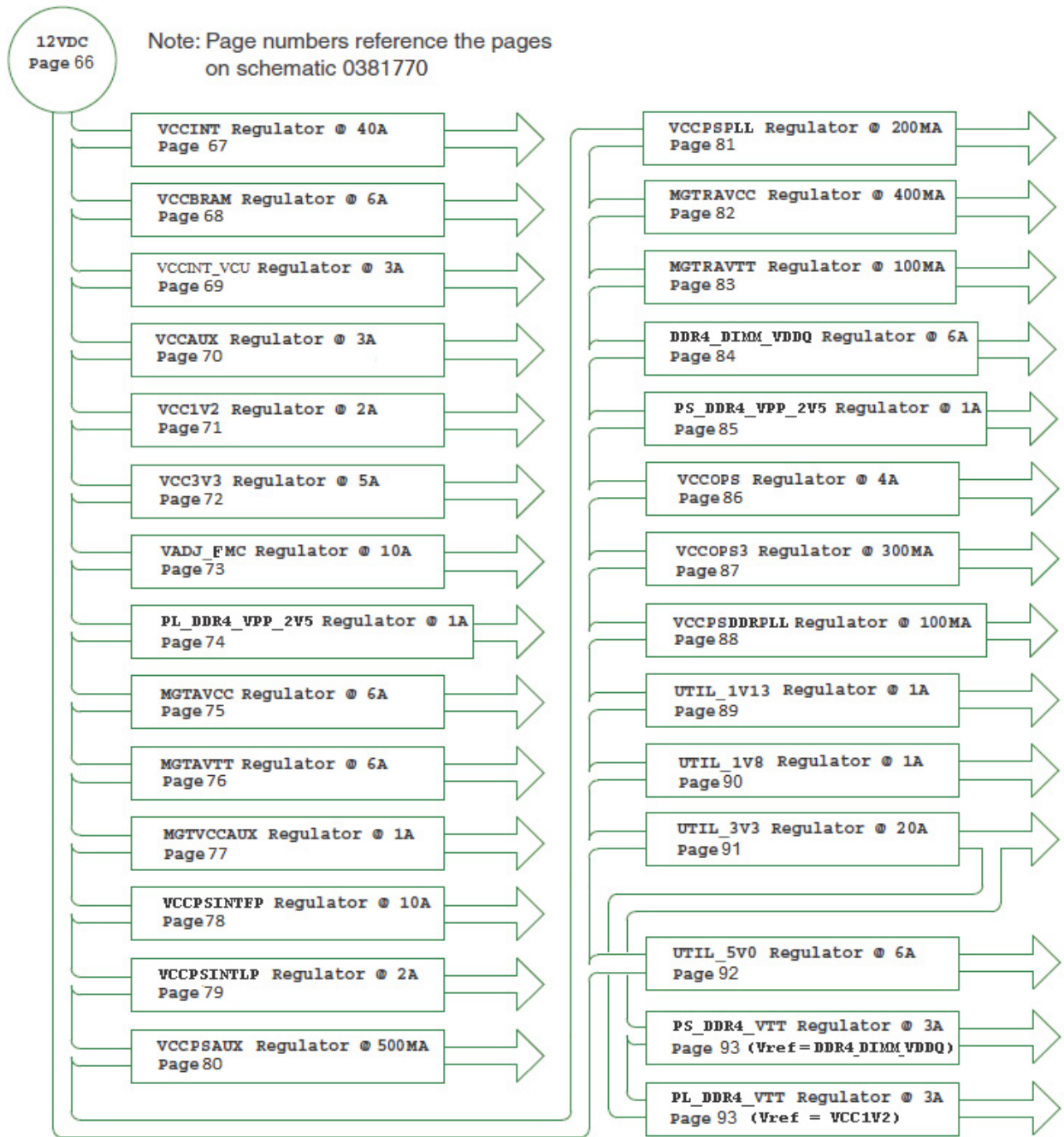
Active-Low reset output RST_B asserts when any of the monitored voltages (IN_) falls below the respective threshold, any EN_ goes Low, or MR is asserted. RST_B remains asserted for the reset time-out period after all of the monitored voltages exceed their respective threshold, all EN_ are High, all OUT_ are High, and MR is deasserted. See the *Zynq UltraScale+ MPSoC Technical Reference Manual* (UG1085) [Ref 3] for information on the resets.

Board Power System

[Figure 2-1, callout 35]

The ZCU106 hosts a Maxim PMBus based power system. Each individual Maxim MAX20751EKX, MAX15301, or MAX15303 voltage regulator has a PMBus interface.

Figure 3-48 shows the ZCU106 power system block diagram.



X19206-022218

Figure 3-48: Power System Block Diagram

The ZCU106 evaluation board uses power regulators and PMBus compliant POL controllers from Maxim Integrated Circuits [Ref 22] to supply the core and auxiliary voltages listed in Table 3-53. The schematic page references are to 0381770.

Table 3-53: Power System Devices

Device Type	Ref. Des.	PMBus Addr.	Description	Power Rail Net Name	Power Rail Voltage	INA226 Address	Schem. Page
MAX15301	U47	0x13	Maxim InTune digital POL controller 20A	VCCINT	0.85V	PL:0x40	67
MAX15303	U7	0x14	Maxim InTune digital POL controller 6A	VCCBRAM	0.85V	PL:0x41	68
MAX8556	U153	NA	Maxim LDO regulator 3A	VCCINT_VCU	0.90V	PL:0x4A	69
MAX15303	U6	0x15	Maxim InTune digital POL controller 3A	VCCAUX	1.80V	PL:0x42	70
MAX15303	U10	0x16	Maxim InTune digital POL controller 2A	VCC1V2	1.20V	PL:0x43	71
MAX15303	U9	0x17	Maxim InTune digital POL controller 5A	VCC3V3	3.30V	PL:0x44	72
MAX15301	U63	0x18	Maxim InTune digital POL controller 5A	VADJ_FMC	1.80V	PL:0x45	73
MAX15027	U38	NA	Maxim LDO regulator 1A	PL_DDR4_VPP_2V5	2.5V	NA	74
MAX20751	U95	0x72	Maxim multiphase master with smart slave VT77518 6A	MGTAVCC	0.90V	PL:0x46	75
MAX20751	U96	0x73	Maxim multiphase master with smart slave VT77518 6A	MGTAVTT	1.20V	PL:0x47	76
MAX8869E	U14	NA	Maxim LDO regulator 1A	MGTVCCAUX	1.81V	NA	77
MAX15301	U46	0x0A	Maxim InTune digital POL controller 10A	VCCPSINTFP	0.85V	PS:0x40	78
MAX15303	U4	0x0B	Maxim InTune digital POL controller 2A	VCCPSINTLP	0.85V	PS:0x41	79
MAX8869E	U3	NA	Maxim LDO regulator 500mA	VCCPSAUX	1.81V	PS:0x42	80
MAX8869E	U17	NA	Maxim LDO regulator 200mA	VCCPSPLL	1.20V	PS:0x43	81
MAX8869E	U5	NA	Maxim LDO regulator 400mA	MGTRAVCC	0.85V	PS:0x44	82
MAX8869E	U12	NA	Maxim LDO regulator 100mA	MGTRAVTT	1.81V	PS:0x45	83
MAX15303	U18	0x1D	Maxim InTune digital POL controller 6A	DDR4_DIMM_VDDQ	1.20V	NA	84

Table 3-53: Power System Devices (Cont'd)

Device Type	Ref. Des.	PMBus Addr.	Description	Power Rail Net Name	Power Rail Voltage	INA226 Address	Schem. Page
MAX15027	U39	NA	Maxim LDO regulator 1A	PS_DDR4_VPP_2V5	2.50V	NA	85
MAX15303	U13	0x10	Maxim InTune digital POL controller 4A	VCCOPS	1.80V	PS:0x47	86
MAX8869E	U31	NA	Maxim LDO regulator 300MA	VCCOPS3	1.81V	PS:0x4A	87
MAX8869E	U30	NA	Maxim LDO regulator 100MA	VCCPSDDRPLL	1.81V	PS:0x4B	88
MAX8869E	U143	NA	Maxim LDO regulator 1A	UTIL_1V13	1.13V	NA	89
MAX8869E	U37	NA	Maxim LDO regulator 1A	UTIL_1V8	1.80V	NA	90
MAX15301	U49	0x1A	Maxim InTune digital POL controller 20A	UTIL_3V3	3.30V	NA	91
MAX15303	U8	0x1B	Maxim InTune digital POL controller 6A	UTIL_5V0	5.00V	NA	92
TPS15200	U36	NA	Memory Vtt sink-source regulator 3A	PS_DDR4_VTT	0.6V	NA	93
TPS15200	U35	NA	Memory Vtt sink-source regulator 3A	PL_DDR4_VTT	0.6V	NA	93

The FMC HPC0 (J5) and FMC HPC1 (J4) VADJ pins are wired to the programmable rail VADJ_FMC_BUS. The VADJ_FMC_BUS rail is programmed to 1.80V by default. The valid values of the VADJ_FMC rail are 1.2V, 1.5V, and 1.8V. The VADJ_FMC derivative rail powers the XCZU7EV HP banks 28, 67, and 68 (see [Table 3-2, page 28](#)). Documentation describing PMBus programming for the Maxim InTune power controllers is available at the Maxim website [[Ref 22](#)]. The PCB layout and power system design meets the recommended criteria described in the *UltraScale Architecture PCB Design User Guide* (UG583) [[Ref 4](#)].

Monitoring Voltage and Current

Voltage and current monitoring and control are available for the Maxim power system controllers through the Maxim PowerTool graphical user interface. The on-board Maxim InTune power controllers listed in [Table 3-53](#) are accessed through the 2x8 keyed shrouded PMBus connector J84, which is provided for use with the Maxim PowerTool USB cable (Maxim part number MAXPOWERTOOL001#). This cable can be ordered from the Maxim website [[Ref 22](#)]. The associated Maxim PowerTool GUI can be downloaded from the Maxim website. This is the simplest and most convenient way to monitor the voltage and current values for the Maxim PMBus programmed power rails listed in [Table 3-53](#).

Each PMBus programmable Maxim controller can report the voltage and current of its controlled rail to the Maxim GUI. A subset of the programmable rails and two fixed rails have a TI INA226 PMBus power monitor circuit with connections to the rail series current sense resistor. This arrangement permits the INA226 to report the sensed parameters separately on the PMBus. The rails configured with the INA226 power monitors are shown in [Table 3-53](#).

As described in [I2C0 \(MIO 14-15\), page 60](#), the I2C0 bus provides access to the PMBus power controllers and the PS-side and PL-side INA226 power monitors via the U60 PCA9544A bus switch. All PMBus controlled Maxim regulators are tied to the MAXIM_PMBUS, while the INA226 power monitors are separated to PS_PMBUS and PL_PMBUS.

[Figure 3-17, page 61](#) and [Table 3-21, page 63](#) document the I2C0 bus access path to the Maxim PMBus controllers and INA226 power monitor op amps. Also, see schematic 0381770. The MPSoC core related power rail measurements (PL_PMBUS) and PS related power measurements (PS_PMBUS) are accessible to the system controller and MPSoC PL logic through their respective I2C0 bus connections.

These measurements are displayed in the system controller menu selections. The Maxim controller PMBus is accessible by the system controller, which can also display the rail voltage measurement made by its sourcing Maxim controller. User IP in the MPSoC PL can access the same set of PMBus resident devices through the logic I2C0 connections.

VITA 57.1 FMC Connector Pinouts

Overview

Figure A-1 shows the pinout of the FPGA mezzanine card (FMC) high pin count (HPC) J2 defined by the VITA 57.1 FMC specification. For a description of how the ZCU106 evaluation board implements the FMC specification, see [FPGA Mezzanine Card Interface, FMC HPC0 Connector J5](#), and [FMC HPC1 Connector J4](#).

	K	J	H	G	F	E	D	C	B	A
1	VREF B M2C	GND	VREF A M2C	GND	PG M2C	GND	PG C2M	GND	CLK DIR	GND
2	GND	CLK3 BIDIR P	PRSNT M2C L	CLK1 M2C P	GND	HA01 P CC	GND	DP0 C2M P	GND	DP1 M2C P
3	GND	CLK3 BIDIR N	GND	CLK1 M2C N	GND	HA01 N CC	GND	DP0 C2M N	GND	DP1 M2C N
4	CLK2 BIDIR P	GND	CLK0 M2C P	GND	HA00 P CC	GND	GBTCLK0 M2C	GND	DP9 M2C P	GND
5	CLK2 BIDIR N	GND	CLK0 M2C N	GND	HA00 N CC	GND	GBTCLK0 M2C	GND	DP9 M2C N	GND
6	GND	HA03 P	GND	LA00 P CC	GND	HA05 P	GND	DP0 M2C P	GND	DP2 M2C P
7	HA02 P	HA03 N	LA02 P	LA00 N CC	HA04 P	HA05 N	GND	DP0 M2C N	GND	DP2 M2C N
8	HA02 N	GND	LA02 N	GND	HA04 N	GND	LA01 P CC	GND	DP8 M2C P	GND
9	GND	HA07 P	GND	LA03 P	GND	HA09 P	LA01 N CC	GND	DP8 M2C N	GND
10	HA06 P	HA07 N	LA04 P	LA03 N	HA08 P	HA09 N	GND	LA06 P	GND	DP3 M2C P
11	HA06 N	GND	LA04 N	GND	HA08 N	GND	LA05 P	LA06 N	GND	DP3 M2C N
12	GND	HA11 P	GND	LA08 P	GND	HA13 P	LA05 N	GND	DP7 M2C P	GND
13	HA10 P	HA11 N	LA07 P	LA08 N	HA12 P	HA13 N	GND	GND	DP7 M2C N	GND
14	HA10 N	GND	LA07 N	GND	HA12 N	GND	LA09 P	LA10 P	GND	DP4 M2C P
15	GND	HA14 P	GND	LA12 P	GND	HA16 P	LA09 N	LA10 N	GND	DP4 M2C N
16	HA17 P CC	HA14 N	LA11 P	LA12 N	HA15 P	HA16 N	GND	GND	DP6 M2C P	GND
17	HA17 N CC	GND	LA11 N	GND	HA15 N	GND	LA13 P	GND	DP6 M2C N	GND
18	GND	HA18 P	GND	LA16 P	GND	HA20 P	LA13 N	LA14 P	GND	DP5 M2C P
19	HA21 P	HA18 N	LA15 P	LA16 N	HA19 P	HA20 N	GND	LA14 N	GND	DP5 M2C N
20	HA21 N	GND	LA15 N	GND	HA19 N	GND	LA17 P CC	GND	GBTCLK1 M2C	GND
21	GND	HA22 P	GND	LA20 P	GND	HB03 P	LA17 N CC	GND	GBTCLK1 M2C	GND
22	HA23 P	HA22 N	LA19 P	LA20 N	HB02 P	HB03 N	GND	LA18 P CC	GND	DP1 C2M P
23	HA23 N	GND	LA19 N	GND	HB02 N	GND	LA23 P	LA18 N CC	GND	DP1 C2M N
24	GND	HB01 P	GND	LA22 P	GND	HB05 P	LA23 N	GND	DP9 C2M P	GND
25	HB00 P CC	HB01 N	LA21 P	LA22 N	HB04 P	HB05 N	GND	GND	DP9 C2M N	GND
26	HB00 N CC	GND	LA21 N	GND	HB04 N	GND	LA26 P	LA27 P	GND	DP2 C2M P
27	GND	HB07 P	GND	LA25 P	GND	HB09 P	LA26 N	LA27 N	GND	DP2 C2M N
28	HB06 P CC	HB07 N	LA24 P	LA25 N	HB08 P	HB09 N	GND	GND	DP8 C2M P	GND
29	HB06 N CC	GND	LA24 N	GND	HB08 N	GND	TCK	GND	DP8 C2M N	GND
30	GND	HB11 P	GND	LA29 P	GND	HB13 P	TDI	SCL	GND	DP3 C2M P
31	HB10 P	HB11 N	LA28 P	LA29 N	HB12 P	HB13 N	TDO	SDA	GND	DP3 C2M N
32	HB10 N	GND	LA28 N	GND	HB12 N	GND	3P3VAUX	GND	DP7 C2M P	GND
33	GND	HB15 P	GND	LA31 P	GND	HB19 P	TMS	GND	DP7 C2M N	GND
34	HB14 P	HB15 N	LA30 P	LA31 N	HB16 P	HB19 N	TRST L	GA0	GND	DP4 C2M P
35	HB14 N	GND	LA30 N	GND	HB16 N	GND	GA1	12P0V	GND	DP4 C2M N
36	GND	HB18 P	GND	LA33 P	GND	HB21 P	3P3V	GND	DP6 C2M P	GND
37	HB17 P CC	HB18 N	LA32 P	LA33 N	HB20 P	HB21 N	GND	12P0V	DP6 C2M N	GND
38	HB17 N CC	GND	LA32 N	GND	HB20 N	GND	3P3V	GND	GND	DP5 C2M P
39	GND	VIO B M2C	GND	VADJ	GND	VADJ	GND	3P3V	GND	DP5 C2M N
40	VIO B M2C	GND	VADJ	GND	VADJ	GND	3P3V	GND	RES0	GND

X19207-050117

Figure A-1: FMC HPC Connector Pinouts

Xilinx Constraints File

Overview

The Xilinx design constraints (XDC) file template for the ZCU106 board provides for designs targeting the ZCU106 evaluation board. Net names in the constraints correlate with net names on the latest ZCU106 evaluation board schematic. Identify the appropriate pins and replace the net names with net names in the user RTL. See the *Vivado Design Suite User Guide: Using Constraints* (UG903) [Ref 10] for more information.

The FMC connectors J5 (HPC0) and J4 (HPC1) are connected to MPSoC banks powered by the variable voltage V_{AJ_FMC} . Because different FMC cards implement different circuitry, the FMC bank I/O standards must be uniquely defined by each customer.



IMPORTANT: *The XDC file can be accessed on the [Zynq UltraScale+ ZCU106 Development Kit](#) website.*

Regulatory and Compliance Information

Overview

This product is designed and tested to conform to the European Union directives and standards described in this section.

[ZCU106 Evaluation Kit — Master Answer Record](#)

For Technical Support, open a [Support Service Request](#).

CE Directives

2006/95/EC, *Low Voltage Directive (LVD)*

2004/108/EC, *Electromagnetic Compatibility (EMC) Directive*

CE Standards

EN standards are maintained by the European Committee for Electrotechnical Standardization (CENELEC). IEC standards are maintained by the International Electrotechnical Commission (IEC).

Electromagnetic Compatibility

EN 55022:2010, *Information Technology Equipment Radio Disturbance Characteristics – Limits and Methods of Measurement*

EN 55024:2010, *Information Technology Equipment Immunity Characteristics – Limits and Methods of Measurement*

This is a Class A product. In a domestic environment, this product can cause radio interference, in which case the user might be required to take adequate measures.

Safety

IEC 60950-1:2005, *Information technology equipment – Safety, Part 1: General requirements*

EN 60950-1:2006, *Information technology equipment – Safety, Part 1: General requirements*

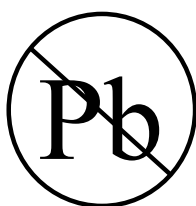
Markings



In August of 2005, the European Union (EU) implemented the EU WEEE Directive 2002/96/EC and later the WEEE Recast Directive 2012/19/EU requiring Producers of electrical and electrical equipment (EEE) to manage and finance the collection, reuse, recycling and to appropriately treat WEEE that the Producer places on the EU market after August 13, 2005. The goal of this directive is to minimize the volume of electrical and electronic waste disposal and to encourage re-use and recycling at the end of life.

Xilinx has met its national obligations to the EU WEEE Directive by registering in those countries to which Xilinx is an importer. Xilinx has also elected to join WEEE Compliance Schemes in some countries to help manage customer returns at end-of-life.

If you have purchased Xilinx-branded electrical or electronic products in the EU and are intending to discard these products at the end of their useful life, please do not dispose of them with your other household or municipal waste. Xilinx has labeled its branded electronic products with the WEEE Symbol to alert our customers that products bearing this label should not be disposed of in a landfill or with municipal or household waste in the EU.



This product complies with Directive 2002/95/EC on the restriction of hazardous substances (RoHS) in electrical and electronic equipment.



This product complies with CE Directives 2006/95/EC, *Low Voltage Directive (LVD)* and 2004/108/EC, *Electromagnetic Compatibility (EMC) Directive*.

Additional Resources and Legal Notices

Xilinx Resources

For support resources such as Answers, Documentation, Downloads, and Forums, see [Xilinx Support](#).

Solution Centers

See the [Xilinx Solution Centers](#) for support on devices, software tools, and intellectual property at all stages of the design cycle. Topics include design assistance, advisories, and troubleshooting tips.

Documentation Navigator and Design Hubs

Xilinx[®] Documentation Navigator provides access to Xilinx documents, videos, and support resources, which you can filter and search to find information. To open the Xilinx Documentation Navigator (DocNav):

- From the Vivado[®] IDE, select **Help > Documentation and Tutorials**.
- On Windows, select **Start > All Programs > Xilinx Design Tools > DocNav**.
- At the Linux command prompt, enter `docnav`.

Xilinx Design Hubs provide links to documentation organized by design tasks and other topics, which you can use to learn key concepts and address frequently asked questions. To access the Design Hubs:

- In the Xilinx Documentation Navigator, click the **Design Hubs View** tab.
- On the Xilinx website, see the [Design Hubs](#) page.

Note: For more information on Documentation Navigator, see the [Documentation Navigator](#) page on the Xilinx website.

References

The most up to date information related to the ZCU106 board and its documentation is available on the [ZCU106 Evaluation Kit](#) website.

These Xilinx documents provide supplemental material useful with this guide:

1. *Zynq UltraScale+ MPSoC Data Sheet: Overview* ([DS891](#))
2. *Zynq UltraScale+ MPSoC Data Sheet: DC and AC Switching Characteristics* ([DS925](#))
3. *Zynq UltraScale+ MPSoC Technical Reference Manual* ([UG1085](#))
4. *UltraScale Architecture PCB Design User Guide* ([UG583](#))
5. *UltraScale Architecture-Based FPGAs Memory IP LogiCORE IP Product Guide* ([PG150](#))
6. *UltraScale Architecture GTH Transceivers User Guide* ([UG576](#))
7. *UltraScale Architecture Gen3 Integrated Block for PCI Express LogiCORE IP Product Guide* ([PG156](#))
8. *Silicon Labs CP210x USB-to-UART Installation Guide* ([UG1033](#))
9. *Tera Term Terminal Emulator Installation Guide* ([UG1036](#))
10. *Vivado Design Suite User Guide: Using Constraints* ([UG903](#))
11. *UltraScale Architecture System Monitor User Guide* ([UG580](#))
12. *ZCU106 System Controller GUI Tutorial* ([XTP495](#))
13. *ZCU106 Software Install and Board Setup Tutorial* ([XTP497](#))
14. For additional documents associated with Xilinx devices, design tools, intellectual property, boards, and kits see the [Xilinx documentation website](#).

The following websites provide supplemental material useful with this guide:

15. Micron Technology: www.micron.com
(MT40A256M16GE-075E, MT25QU512ABB8ESF-0SIT, MTA4ATF51264HZ-2G6E1 data sheets)
16. Standard Microsystems Corporation (SMSC): www.microchip.com
(USB3320 data sheet)
17. SanDisk Corporation: www.sandisk.com
18. SD Association: www.sdcard.org
19. Silicon Labs: www.silabs.com/Pages/default.aspx

(SI5341B, Si570, Si5319C, Si53340, CP2108 data sheets)

20. Texas Instruments: www.ti.com/product/DP83867IR

(TI DP83867 data sheet)

21. PCI: <https://pcsig.com/specifications>

22. Maxim Integrated Circuits: <https://www.maximintegrated.com>

23. VITA FMC Marketing Alliance: www.vita.com/fmc

24. Digilent: www.digilentinc.com

(Pmod Peripheral Modules)

25. The Xilinx ATX cable part number 2600304 is manufactured by Sourcegate Technologies and is equivalent to the Sourcegate Technologies part number AZCBL-WH-11009.

Sourcegate only manufactures the latest revision, which is currently A4. To order, contact Aries Ang, aries.ang@sourcegate.net, +65 6483 2878 for price and availability. This is a custom cable and cannot be ordered from the Sourcegate website.

26. Future Technology Devices International Ltd.: <http://www.ftdichip.com>

(FT232HL)

Please Read: Important Legal Notices

The information disclosed to you hereunder (the "Materials") is provided solely for the selection and use of Xilinx products. To the maximum extent permitted by applicable law: (1) Materials are made available "AS IS" and with all faults, Xilinx hereby DISCLAIMS ALL WARRANTIES AND CONDITIONS, EXPRESS, IMPLIED, OR STATUTORY, INCLUDING BUT NOT LIMITED TO WARRANTIES OF MERCHANTABILITY, NON-INFRINGEMENT, OR FITNESS FOR ANY PARTICULAR PURPOSE; and (2) Xilinx shall not be liable (whether in contract or tort, including negligence, or under any other theory of liability) for any loss or damage of any kind or nature related to, arising under, or in connection with, the Materials (including your use of the Materials), including for any direct, indirect, special, incidental, or consequential loss or damage (including loss of data, profits, goodwill, or any type of loss or damage suffered as a result of any action brought by a third party) even if such damage or loss was reasonably foreseeable or Xilinx had been advised of the possibility of the same. Xilinx assumes no obligation to correct any errors contained in the Materials or to notify you of updates to the Materials or to product specifications. You may not reproduce, modify, distribute, or publicly display the Materials without prior written consent. Certain products are subject to the terms and conditions of Xilinx's limited warranty, please refer to Xilinx's Terms of Sale which can be viewed at <http://www.xilinx.com/legal.htm#tos>; IP cores may be subject to warranty and support terms contained in a license issued to you by Xilinx. Xilinx products are not designed or intended to be fail-safe or for use in any application requiring fail-safe performance; you assume sole risk and liability for use of Xilinx products in such critical applications, please refer to Xilinx's Terms of Sale which can be viewed at <http://www.xilinx.com/legal.htm#tos>.

AUTOMOTIVE APPLICATIONS DISCLAIMER

AUTOMOTIVE PRODUCTS (IDENTIFIED AS "XA" IN THE PART NUMBER) ARE NOT WARRANTED FOR USE IN THE DEPLOYMENT OF AIRBAGS OR FOR USE IN APPLICATIONS THAT AFFECT CONTROL OF A VEHICLE ("SAFETY APPLICATION") UNLESS THERE IS A SAFETY CONCEPT OR REDUNDANCY FEATURE CONSISTENT WITH THE ISO 26262 AUTOMOTIVE SAFETY STANDARD ("SAFETY DESIGN"). CUSTOMER SHALL, PRIOR TO USING OR DISTRIBUTING ANY SYSTEMS THAT INCORPORATE PRODUCTS, THOROUGHLY TEST SUCH SYSTEMS FOR SAFETY PURPOSES. USE OF PRODUCTS IN A SAFETY APPLICATION WITHOUT A SAFETY DESIGN IS FULLY AT THE RISK OF CUSTOMER, SUBJECT ONLY TO APPLICABLE LAWS AND REGULATIONS GOVERNING LIMITATIONS ON PRODUCT LIABILITY.

© Copyright 2018-2019 Xilinx, Inc. Xilinx, the Xilinx logo, Artix, ISE, Kintex, Spartan, Virtex, Vivado, Zynq, and other designated brands included herein are trademarks of Xilinx in the United States and other countries. PCI, PCIe and PCI Express are trademarks of PCI-SIG and used under license. The DisplayPort Icon is a trademark of the Video Electronics Standards Association, registered