

Evaluation Kit

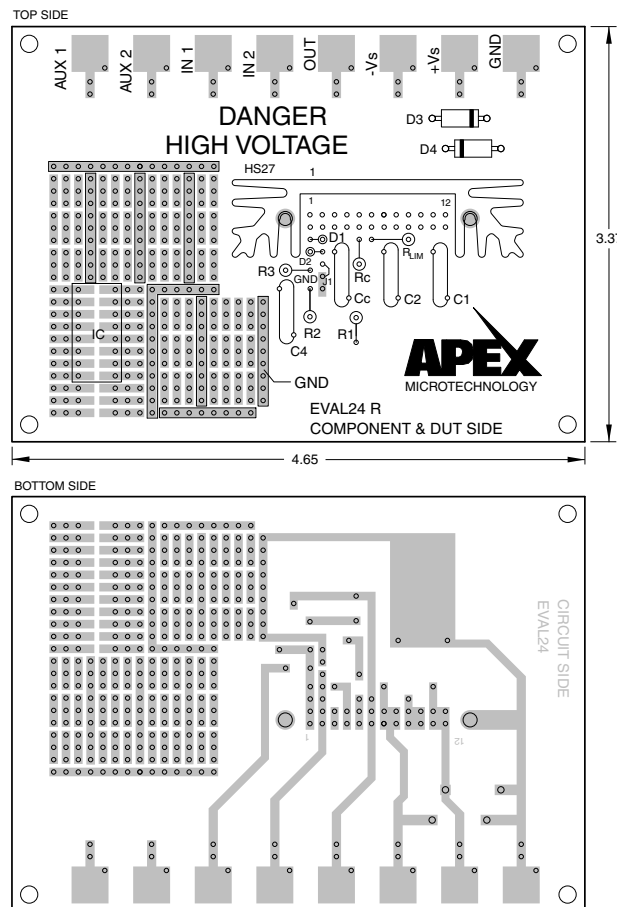
APPLICABLE PARTS (SOLD SEPARATELY)

- PA90
- PA91
- PA98

INTRODUCTION

This easy-to-use kit provides a platform for the evaluation of linear power amplifiers circuits using the PA91 pin-out. With ample breadboarding areas it is flexible enough to analyze a multitude of standard or proprietary circuit configurations. Critical connections for power supply bypassing, compensation and current limiting are pre-wired. Components not usually readily available in engineering labs are provided. External connection to the evaluation kit can be made via the terminals at the edge of the circuit board. These terminal pads are suitable for standard banana jacks or direct soldering of wires. The schematic is shown in Figure 2.

Figure 1: PCB



Note: Not shown to size

Figure 2: Schematic

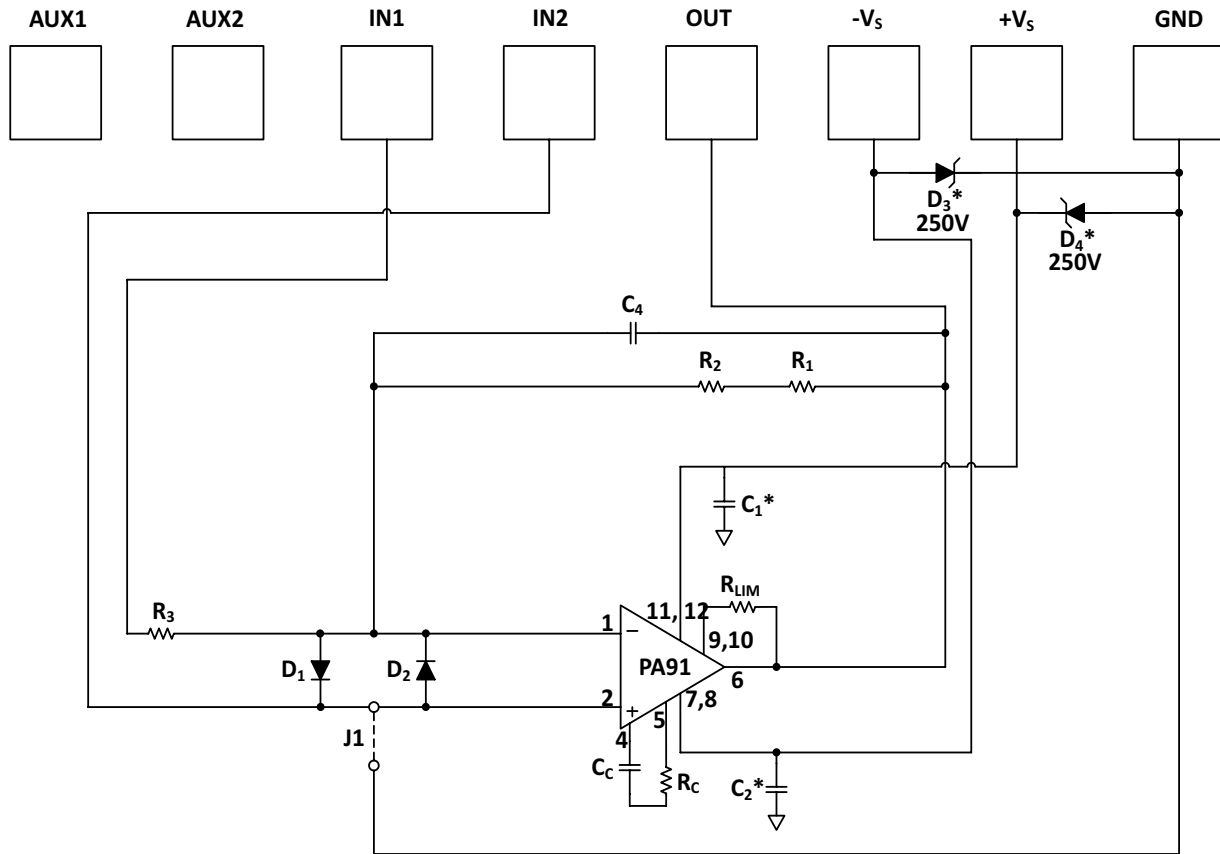


Figure 2 shows the schematic of the evaluation kit's pre-wired connections. Components supplied with the kit are marked with an asterisk (*). See the amplifier's data sheet for full application information

PARTS LIST

Reference	Manufacturer Part #	Description	QTY
	HS27	Heatsink	1
	EVAL24	PC Board	1
	TW07	Thermal Washer	1 box (10 each)
D3, D4	P6KE250A	Transient Zener	2
C1, C2	562R56AS10	Cap, 0.01μF, 1kV	2

Note: PA90, PA91, PA98 are not provided with EK11 and must be purchased separately.