

Evaluation Kit

APPLICABLE PARTS (SOLD SEPARATELY)

- PA97

INTRODUCTION

This easy-to-use kit provides a platform for the evaluation of linear power amplifiers circuits using the PA97 pin-out. With ample breadboarding areas it is flexible enough to analyze a multitude of standard or proprietary circuit configurations. Critical connections for power supply bypassing are pre-wired. Components not usually readily available in engineering labs are provided. External connection to the evaluation kit can be made via the terminals at the edge of the circuit board. These terminal pads are suitable for standard banana jacks or direct soldering of wires. The schematic is shown in Figure 2.

Figure 1: PCB

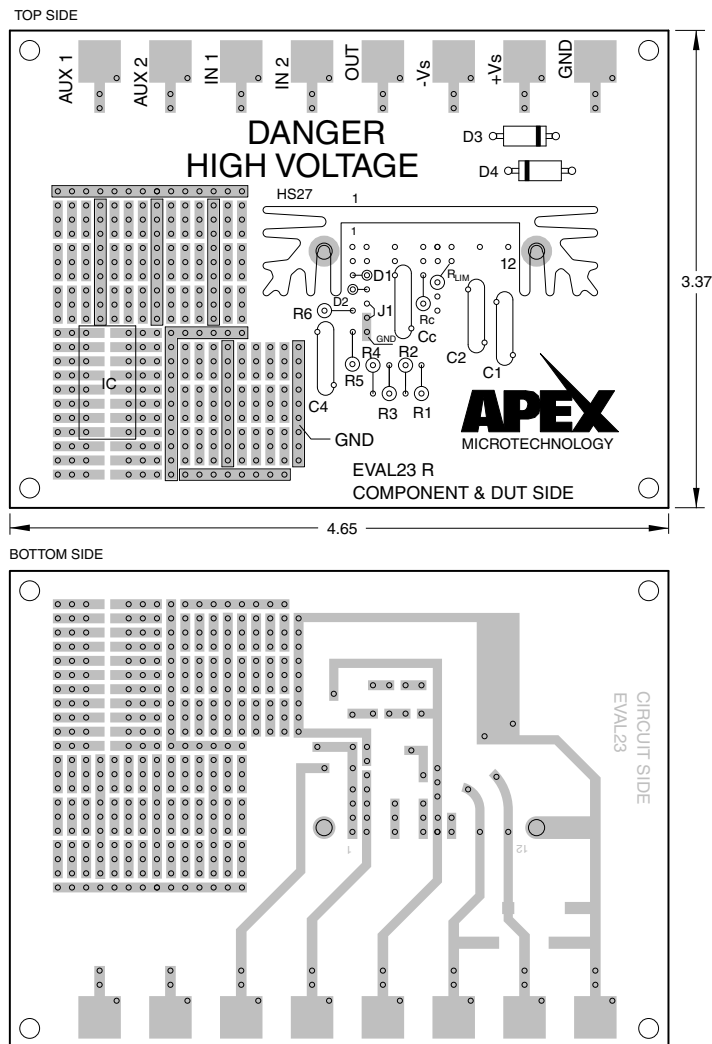


Figure 2: EK Schematic

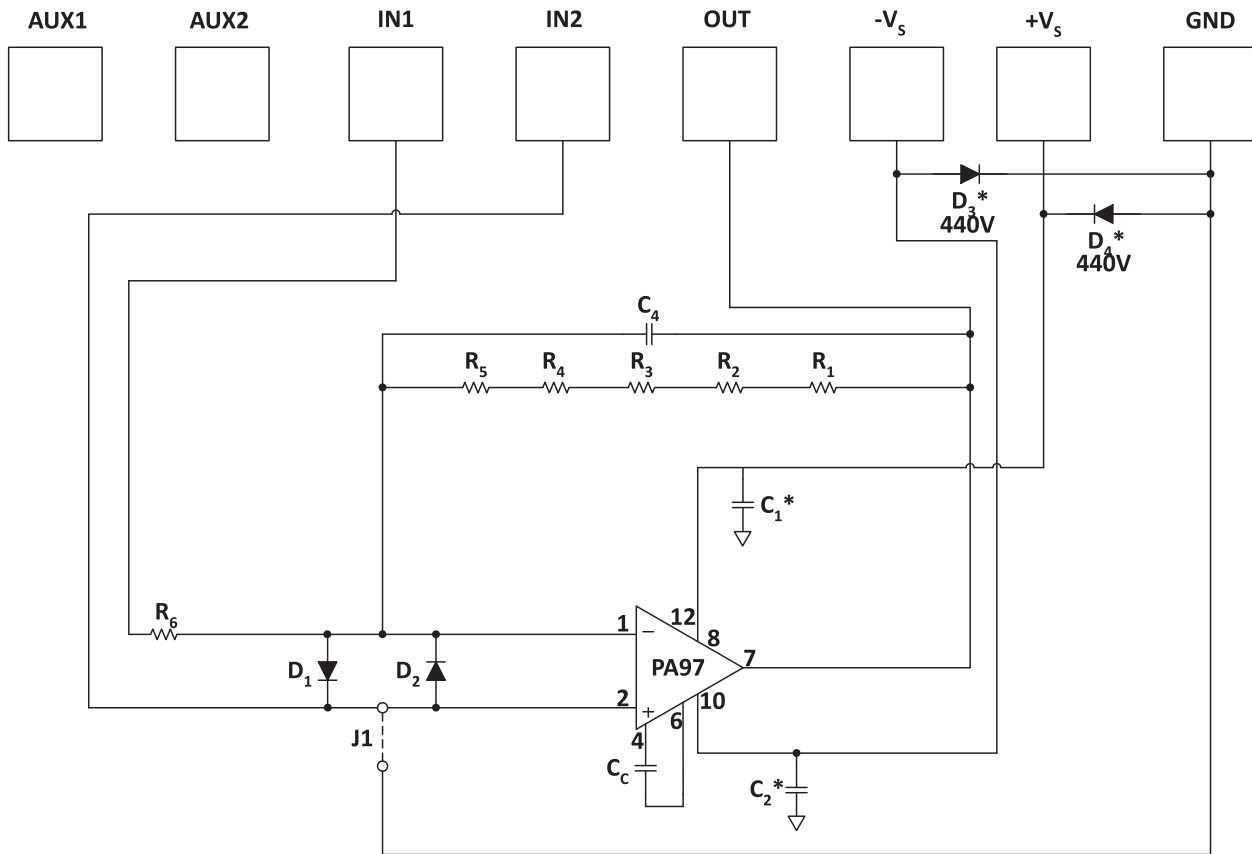


Figure 2 shows the schematic of the evaluation kit's pre-wired connections. Components supplied with the kit are marked with an asterisk (*). See the amplifier's data sheet for full application information.

PARTS LIST

| Reference | Manufacturer Part # | Description | QTY |
|-----------|---------------------|----------------------|-----|
| | EVAL23 | PC Board | 1 |
| D3, D4 | P6KE440A | TransZorb, General | 2 |
| C1, C2 | 562R5GAS10 | Capacitor 0.01μF 1kV | 2 |