

# ELIT-1250

## Digital Signage Player Powered by AMD G-series APU



### Features

- Robust and Compact Design
- Low Cost, High Reliability
- Outstanding FULL-HD Video Performance with Low Power Consumption
- Support Numerous Media Formats (e.g., Video, Flash, URL, Images)
- Support SIM Card Socket, 4 x USB2.0
- Support 1 x HDMI, 1 x DVI-D, 1 x VGA
- Support DirectX 11
- Support RTC Wakeup
- Operating Temperature: -20 ~ 55°C

### System

<b>CPU</b>	Soldered onboard AMD G-T56N 1.65GHz processor
<b>Memory</b>	1 x 204-pin DDR3 SO-DIMM socket, supporting 1066/1333MHz SDRAM up to 4GB
<b>Chipset</b>	AMD Hudson-M1 A50M
<b>Graphics</b>	Integrated AMD Radeon HD 6320 (G-T56N)
<b>ATA</b>	1 x Serial ATA port with 600MB/s HDD transfer rate
<b>LAN Chipset</b>	1 x Realtek 8111 GbE controller
<b>Watchdog Timer</b>	1~255 levels reset

### I/O

<b>Serial Port</b>	2 x DB-9 male connectors for RS-232
<b>USB Port</b>	4 x USB 2.0 ports
<b>LAN</b>	1 x RJ-45 port for GbE
<b>Video Port</b>	1 x HDMI female connector for Digital Video output 1 x DVI-D female connector for Digital Video output 1 x VGA female connector for Analog Video output
<b>Audio</b>	1 x Line-out (500mW pre-amplified)
<b>Expansion Bus</b>	1 x Mini-card slot interconnected with SIM card socket for optional WiFi or HSUPA module

### Environmental

<b>Operating Temp.</b>	-20 ~ 55°C (-4 ~ 131°F), ambient w/ air flow
<b>Storage Temp.</b>	-40 ~ 80°C (-40 ~ 176°F)
<b>Operating Humidity</b>	10 ~ 95% @ 55°C (non-condensing)
<b>Vibration</b>	3 Grms/5~500Hz/random operation
<b>Shock</b>	Operating 40G (11ms), non-operating 80G with SSD

### Qualification

<b>Certification</b>	CE, FCC Class B
----------------------	-----------------

### Power Requirement

<b>Power Input</b>	DC 16~24V input
<b>Power Consumption</b>	Max. 40W (w/o I/O card)
<b>Power Management</b>	RTC wakeup timer selectable

### Storage

<b>Type</b>	1 x 2.5" drive bay for SSD
-------------	----------------------------

### Mechanical

<b>Construction</b>	Aluminum alloy
<b>Mounting</b>	Support wall-mounting/VESA-mount
<b>Weight</b>	1.61 kg (3.55 lb)
<b>Dimensions (W x D x H)</b>	193 x 170 x 50 mm (7.60" x 6.69" x 1.96")

### OS Support

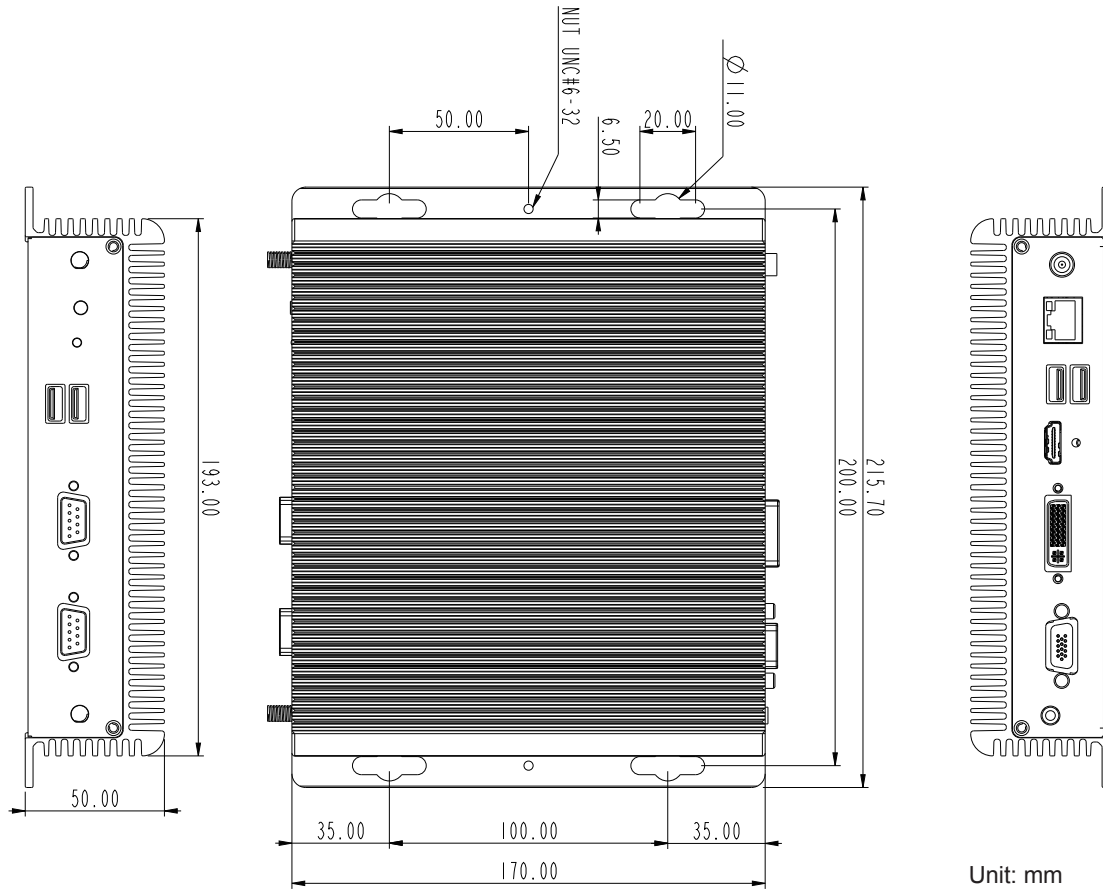
Windows Embedded Standard 7 / Windows 7 / Ubuntu / Windows 8

### Ordering Information

<b>ELIT-1250</b>	Digital Signage Player by AMD G-T56N, w/o storage device and memory
<b>ELIT-1250-16S2G</b>	Digital Signage Player by AMD G-T56N, w/ 16G SSD and 2GB memory



# Dimensions



## Optional Accessories

**PAC-B065W-2** 19V/3.4A 65W AC/DC adapter kit



**VMK-1000** VESA mount kit for ELIT series



## Optional Configuration (CTOS\* Kit)

**SSD-25032** Memoright 2.5" 32GB SATAII SSD kit



**HSPA-SI1400** HSUPA 3.75G module kit & internal wiring



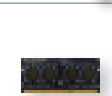
**WIFI-IN1300** Intel® Centrino® Advanced-N 6205 WiFi module w/ 20cm internal wiring



**ANT-D11** 1 x WiFi Dual-band 2.4G/5G antenna



**ANT-H11** 1 x 2dBi HSUPA antenna



**2GB SO-DIMM** DDR3-1333 2GB SDRAM

**4GB SO-DIMM** DDR3-1333 4GB SDRAM

**8GB SO-DIMM** DDR3-1600 8GB SDRAM



\*CTOS means Configure-to-Order Service.