

ELIT-1250

Digital Signage Player Powered by AMD G-series APU



Features

- Robust and Compact Design
- Low Cost, High Reliability
- Outstanding FULL-HD Video Performance with Low Power Consumption
- Support Numerous Media Formats (e.g., Video, Flash, URL, Images)
- Support SIM Card Socket, 4 x USB2.0
- Support 1 x HDMI, 1 x DVI-D, 1 x VGA
- Support DirectX 11
- Support RTC Wakeup
- Operating Temperature: -20 ~ 55°C

System

CPU	Soldered onboard AMD G-T56N 1.65GHz processor
Memory	1 x 204-pin DDR3 SO-DIMM socket, supporting 1066/1333MHz SDRAM up to 4GB
Chipset	AMD Hudson-M1 A50M
Graphics	Integrated AMD Radeon HD 6320 (G-T56N)
ATA	1 x Serial ATA port with 600MB/s HDD transfer rate
LAN Chipset	1 x Realtek 8111 GbE controller
Watchdog Timer	1~255 levels reset

I/O

Serial Port	2 x DB-9 male connectors for RS-232
USB Port	4 x USB 2.0 ports
LAN	1 x RJ-45 port for GbE
Video Port	1 x HDMI female connector for Digital Video output 1 x DVI-D female connector for Digital Video output 1 x VGA female connector for Analog Video output
Audio	1 x Line-out (500mW pre-amplified)
Expansion Bus	1 x Mini-card slot interconnected with SIM card socket for optional WiFi or HSUPA module

Environmental

Operating Temp.	-20 ~ 55°C (-4 ~ 131°F), ambient w/ air flow
Storage Temp.	-40 ~ 80°C (-40 ~ 176°F)
Operating Humidity	10 ~ 95% @ 55°C (non-condensing)
Vibration	3 Grms/5~500Hz/random operation
Shock	Operating 40G (11ms), non-operating 80G with SSD

Qualification

Certification	CE, FCC Class B
----------------------	-----------------

Power Requirement

Power Input	DC 16~24V input
Power Consumption	Max. 40W (w/o I/O card)
Power Management	RTC wakeup timer selectable

Storage

Type	1 x 2.5" drive bay for SSD
-------------	----------------------------

Mechanical

Construction	Aluminum alloy
Mounting	Support wall-mounting/VESA-mount
Weight	1.61 kg (3.55 lb)
Dimensions (W x D x H)	193 x 170 x 50 mm (7.60" x 6.69" x 1.96")

OS Support

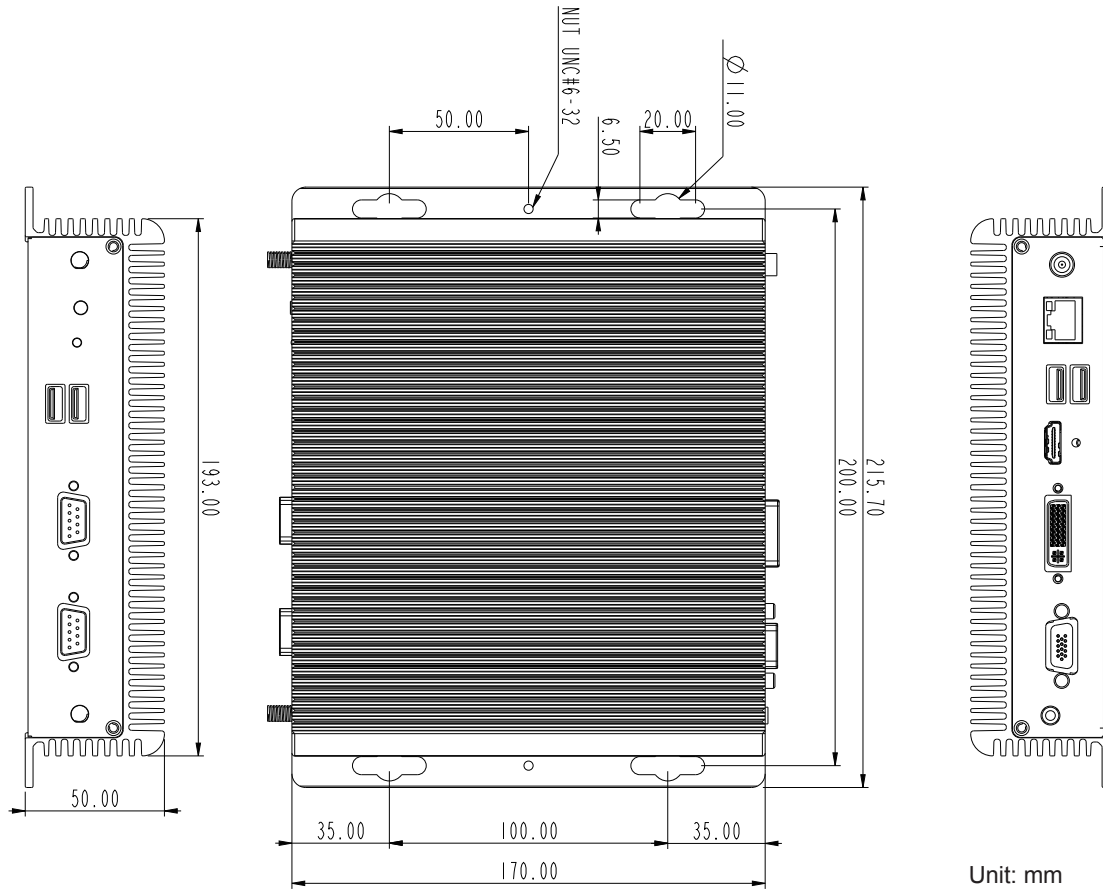
Windows Embedded Standard 7 / Windows 7 / Ubuntu / Windows 8

Ordering Information

ELIT-1250	Digital Signage Player by AMD G-T56N, w/o storage device and memory
ELIT-1250-16S2G	Digital Signage Player by AMD G-T56N, w/ 16G SSD and 2GB memory



Dimensions



Optional Accessories

PAC-B065W-2 19V/3.4A 65W AC/DC adapter kit



VMK-1000 VESA mount kit for ELIT series



Optional Configuration (CTOS* Kit)

SSD-25032 Memoright 2.5" 32GB SATAII SSD kit



HSPA-SI1400 HSUPA 3.75G module kit & internal wiring



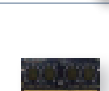
WIFI-IN1300 Intel® Centrino® Advanced-N 6205 WiFi module w/ 20cm internal wiring



ANT-D11 1 x WiFi Dual-band 2.4G/5G antenna



ANT-H11 1 x 2dBi HSUPA antenna



2GB SO-DIMM DDR3-1333 2GB SDRAM

4GB SO-DIMM DDR3-1333 4GB SDRAM

8GB SO-DIMM DDR3-1600 8GB SDRAM



*CTOS means Configure-to-Order Service.