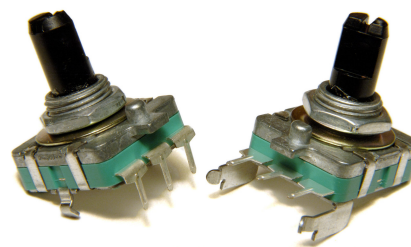


Model EN16
16mm Rotary Encoder
2 Bits Gray Code
Incremental/Contacting Type
Metal Bushing/Plastic Shaft
RoHS Compliant



MODEL STYLES

Top Adjust, PCB pins	EN16-H
Side Adjust, PCB pins	EN16-V

ELECTRICAL¹

Pulses (Per Revolution)	12 & 24
Closed Circuit Resistance, Ohms	3 Ohms, max.
Contact Rating	0.5mA/ 5Vdc
Operating Current, Maximum	0.5mA
Dielectric Strength	50Vac/ 1mA, 1 minute
Insulation Resistance, Minimum	10M ohms at 50Vdc/ 1mA
Sliding Noise (at 60 RPM)	2.0ms max.
Contact Bounce (at 15 RPM)	5.0ms max.
Operating speed (RPM)	100 RPM max.
Actual Electrical Travel, Nominal	Continuous

MECHANICAL

Total Mechanical Travel	Continuous
Detents (per Revolution)	0,12, 24
Rotational Torque of Detent, Maximum	2.5 oz-in

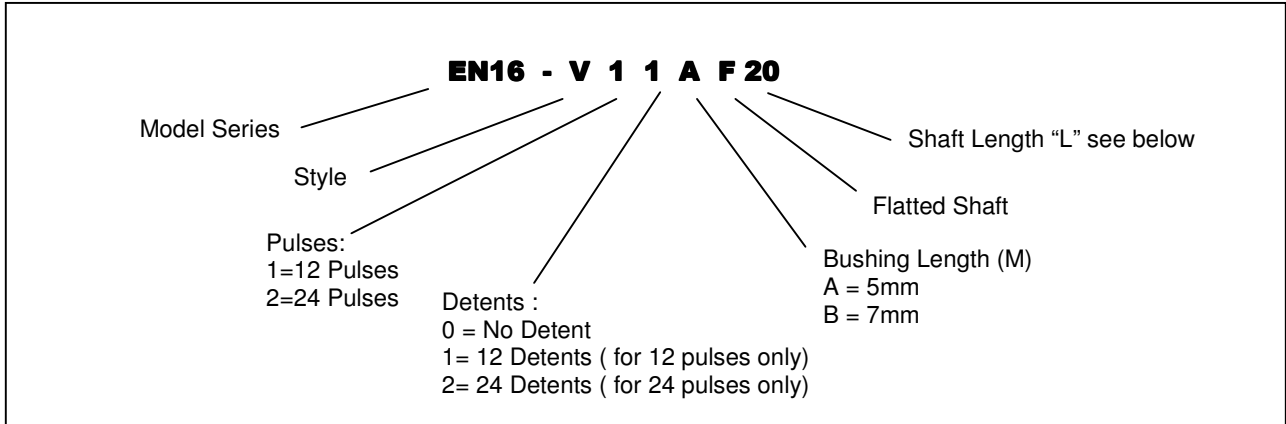
ENVIRONMENTAL

Operating Temperature Range	-30°C to +85°C
Rotational Life	30,000 cycles

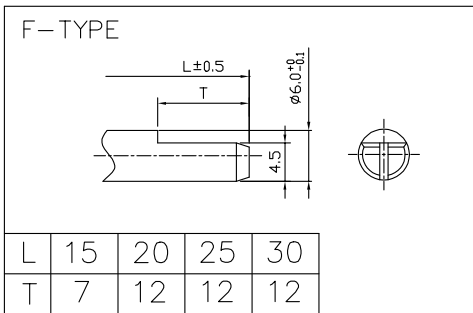
¹ Specifications subject to change without notice.

Model EN16

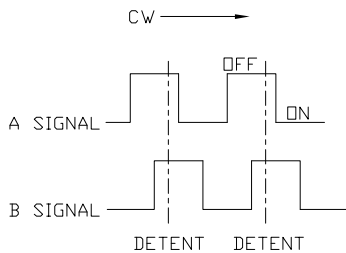
ORDERING INFORMATION²



Shaft Length options



CIRCUIT DIAGRAM



² Contact our customer service for custom designs and features.