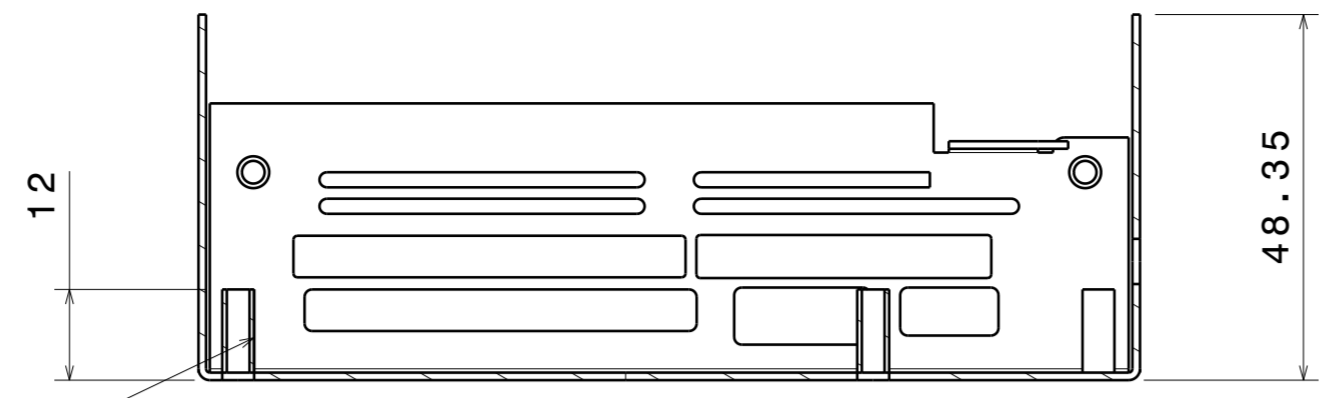
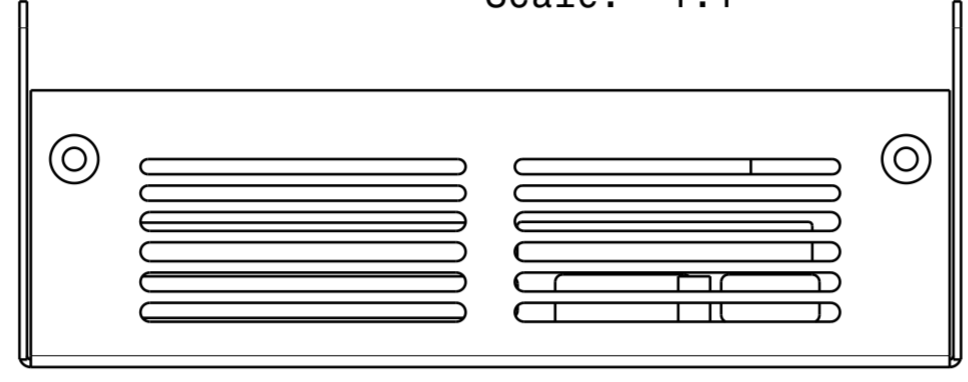


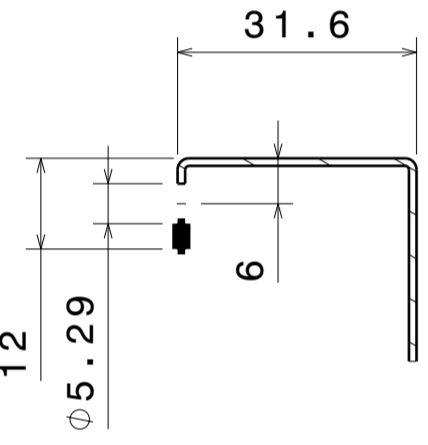
SELF CLINCHING STANDOFF, M3
12mm height
(4x)



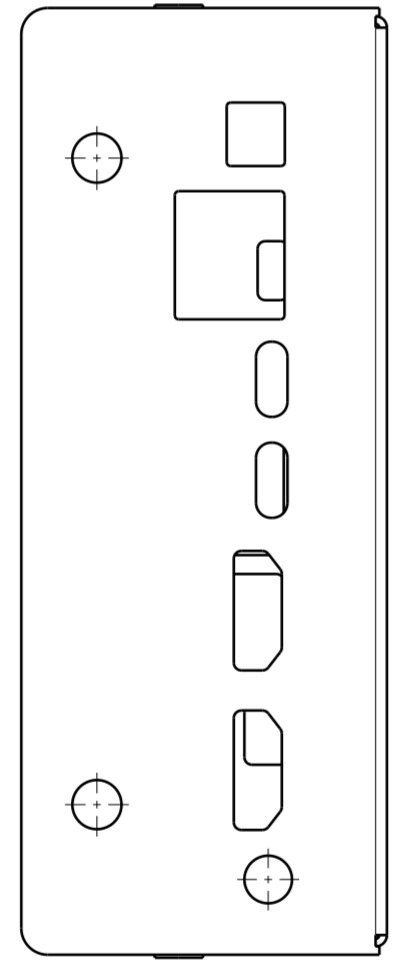
Section view F-F
Scale: 1:1



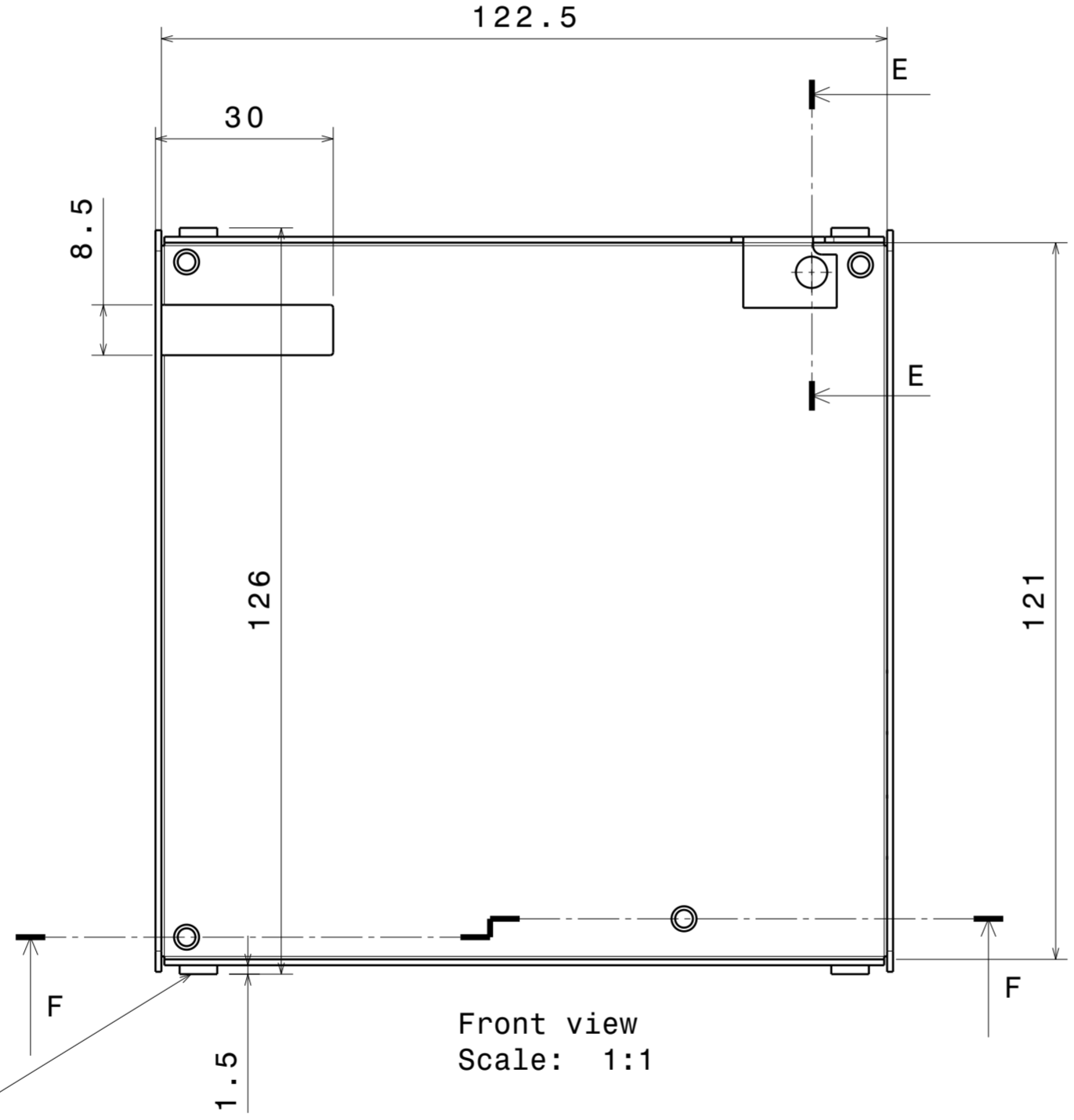
Bottom view
Scale: 1:1



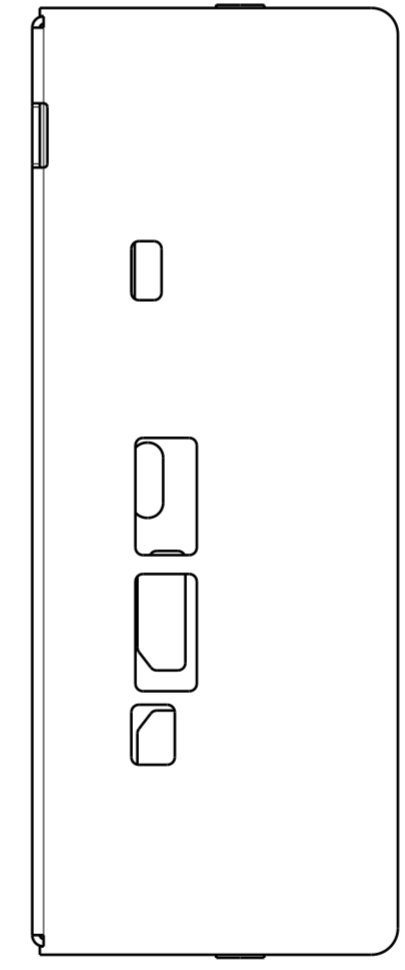
Section cut E-E
Scale: 1:1



Right view
Scale: 1:1

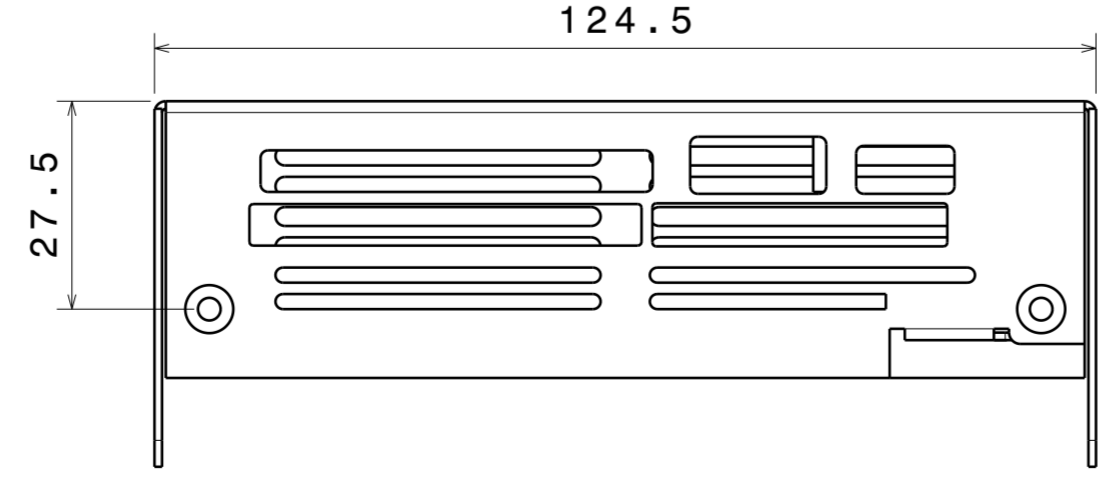


Front view
Scale: 1:1



Left view
Scale: 1:1

M2.5 NUT
(4x)

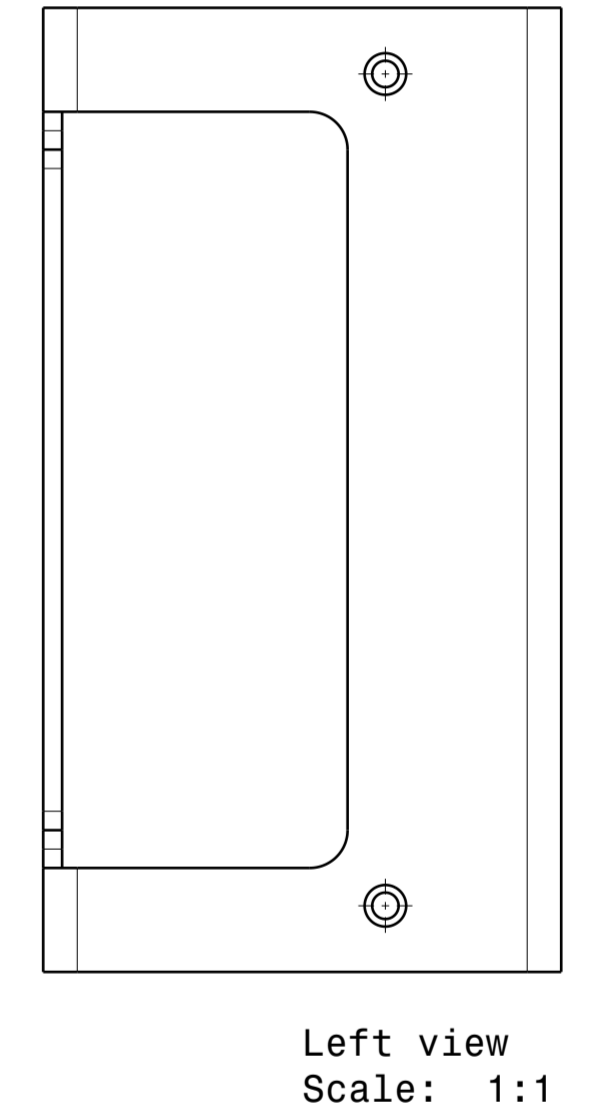
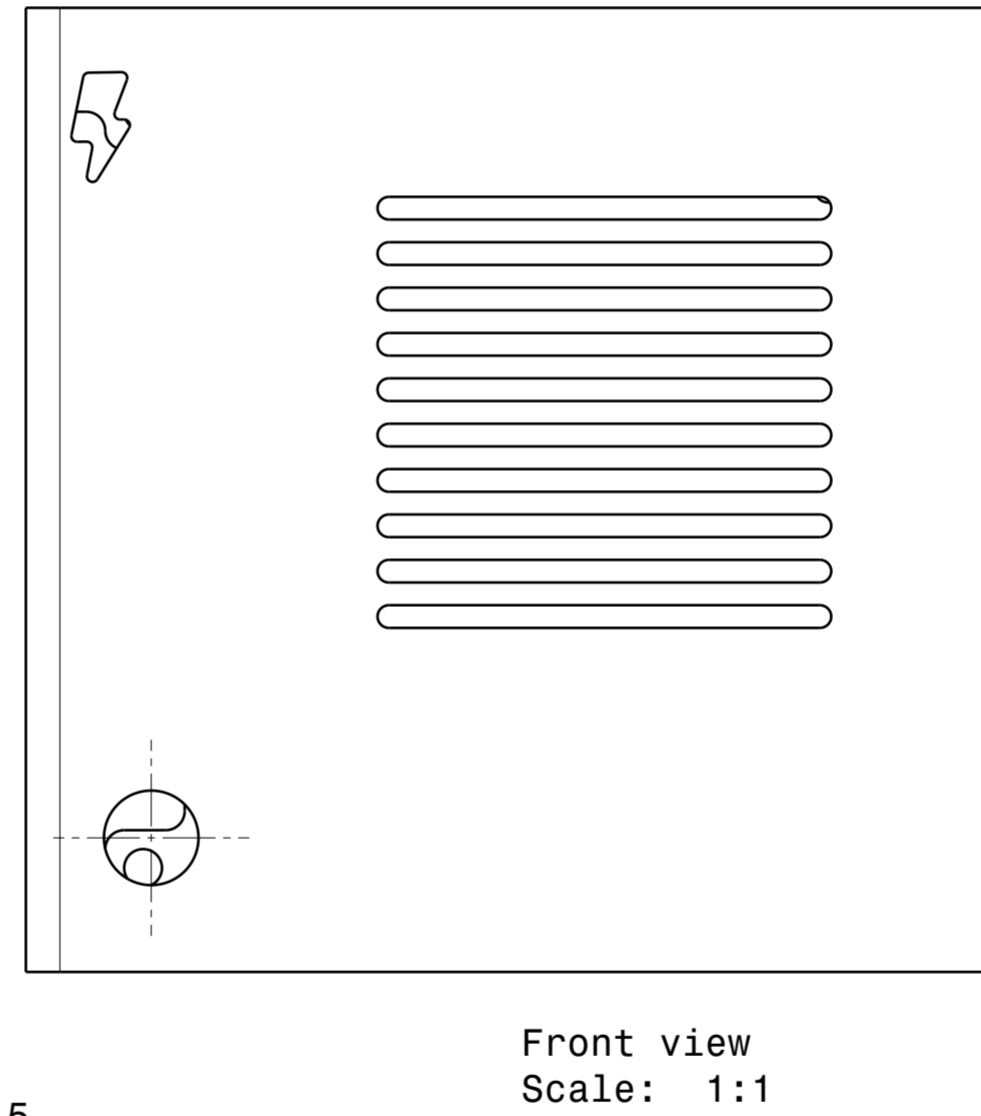
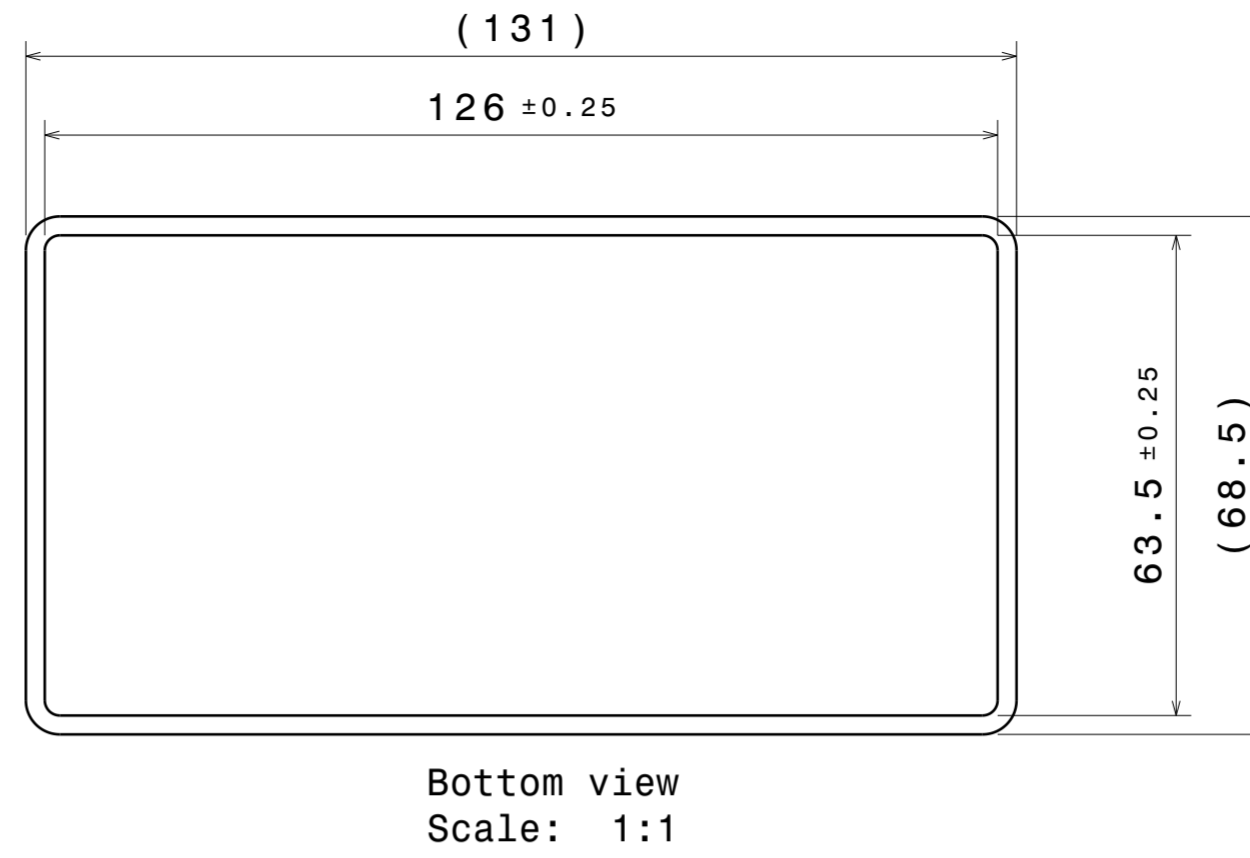
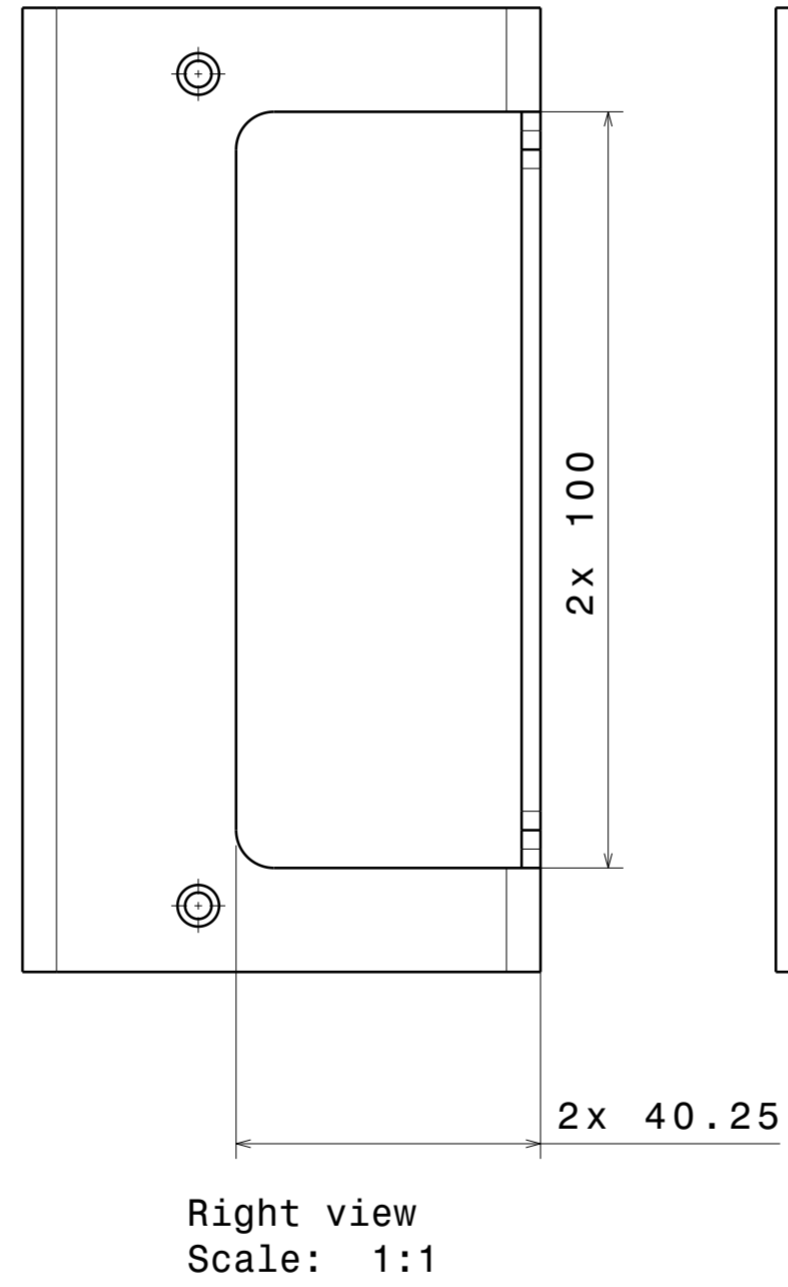
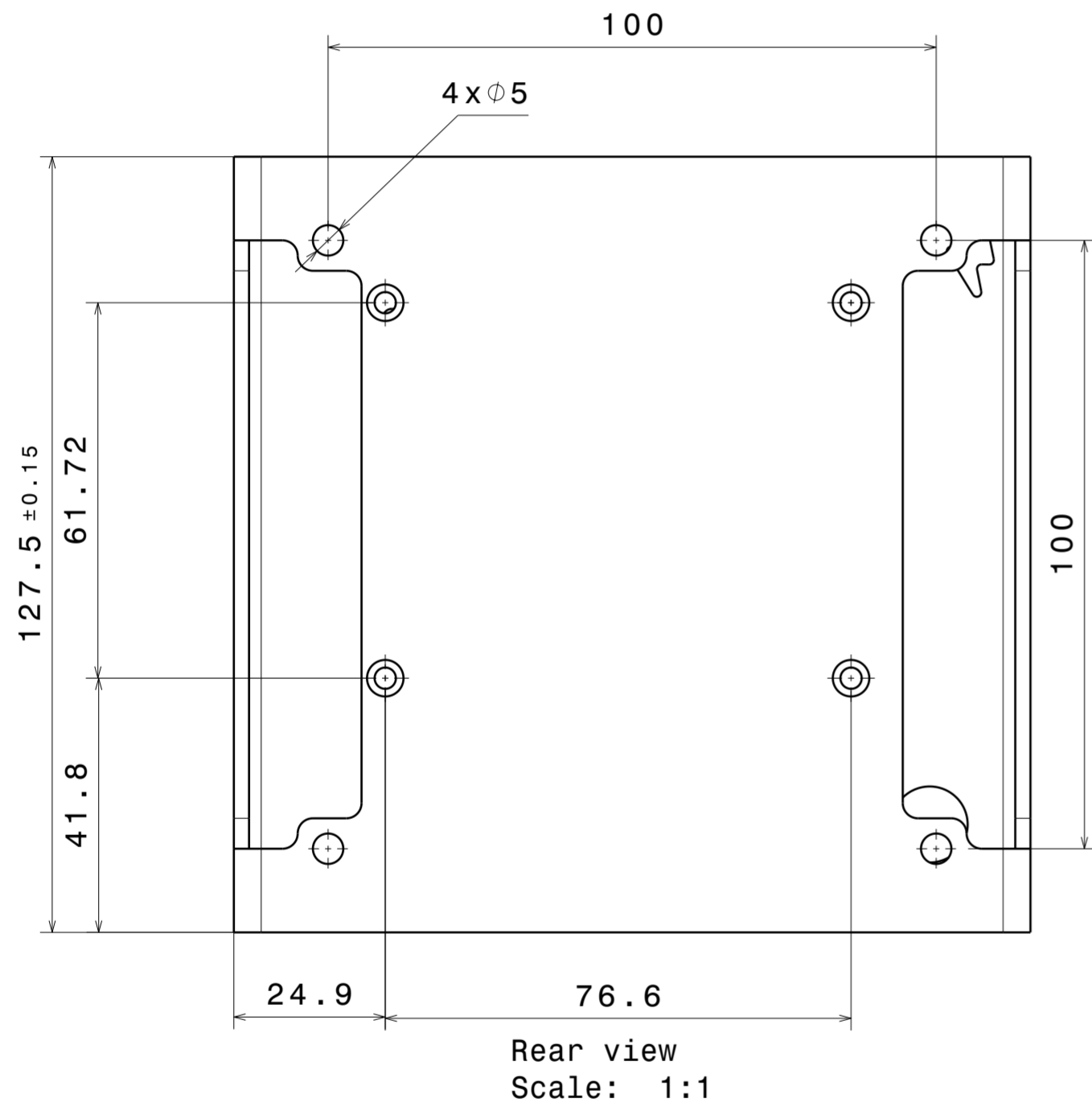


Top view
Scale: 1:1

THICKNESS: 1 MM

1	1	-	Steel	Unit: metric
ITEM REF	NUMBER	DESCRIPTION	MATERIAL	REMARKS
View pos		Sign	General tolerance	Weight
F		Checked	SS-ISO 2768-1-m	Scale (if not 1:1)
		Approved	Drawing file	1:1
			10004	Sheet
Gothenburg Design AB		Titel (max 20 pos) ENCLOSURE BOLT INTERFACE DRAWING		Date 2018-12-07
				Rev. A2
				Rev. G
				Drawing no 10004

This drawing and design is the property of Gothenburg Design AB. It may not be copied, shown or handed to any third party without our permission. F



This drawing and design is the property of
 Gothenburg Design AB.
 It may not be copied, shown
 or handed to any third party without our permission.

1	1	Anodized: Iron gray	Aluminum: EN AW 5052	Unit: metric
ITEM REF	NUMBER	DESCRIPTION	MATERIAL	REMARKS
View pos	Sign	General tolerance	Weight	
F	⊕	SS-ISO 2768-1-m	.	
Checked	Approved	Drawing file	Scale (if not 1:1)	
.	.	.10005	1:1	
Gothenburg Design AB		Titel (max 20 pos)	Date	Sheet
		ENCLOSURE BOLT INTERFACE DRAWING	2017-12-07	A2
			Drawing no	Rev.
			10005	C