



Features

- Two channel quadrature output
 - Bushing or servo mount
 - Square wave signal
 - Small size
 - Resolution to 256 PPR
 - CMOS and TTL compatible
 - Long life
- Ball bearing option for high operating speed up to 3000 rpm
 - RoHS compliant*

EN - Rotary Optical Encoder

General Information

The Bourns® EN model is a self-contained rotary optical encoder. It produces a 2-bit quadrature signal which is suitable for digital systems where both magnitude and direction of adjustment must be provided. The EN encoder is ideal for use as a digital panel control or as a position sensing device in applications where long life, reliability, high resolution and precise linearity are critical.

The EN series encoder converts rotary input into electrical signals which can be used by microprocessors without A/D conversion.

Bourns encoder output signals are square wave digital pulses which do not require debounce circuitry. Both features make it possible to significantly reduce the memory overhead, wiring and wiring interconnects required by other types of control devices.

EN optical encoders offer a useful rotational life of from 10 million to 200 million shaft revolutions, making them ideal for extended service applications. The Bourns encoder is also compact and well suited for situations where the available space is limited.

Additional Information

Click these links for more information:



Electrical Characteristics

| | |
|---|---|
| Output..... | 2-bit quadrature code, Channel A leads Channel B by 90 ° (electrical) with clockwise rotation |
| Resolution..... | 25 to 256 cycles per revolution |
| Insulation Resistance (500 VDC) | 1,000 megohms |
| Electrical Travel | Continuous |
| Supply Voltage..... | 5.0 VDC ±0.25 VDC |
| Supply Current..... | 26 mA maximum |
| Output Voltage | |
| Low Output | 0.8 V maximum |
| High Output..... | 4 V minimum |
| Output Current | |
| Low Output | 25 mA minimum |
| Rise/Fall Time..... | 200 ns (typical)** |
| Shaft RPM (Ball Bearing) | 3,000 rpm maximum |
| Power Consumption | 136 mW maximum |
| Pulse Width (Electrical Degrees, Each Channel) | 180 ° ±45 ° typ. |
| Pulse Width (Index Channel)..... | 360 ° ±90 ° |
| Phase (Electrical Degrees, Channel A to Channel B)..... | 90 ° ±45 ° typ. |

Environmental Characteristics

| | |
|--|---------------------------------------|
| Operating Temperature Range | -40 °C to +75 °C (-40 °F to +167 °F) |
| Storage Temperature Range | -40 °C to +85 °C (-40 °F to +185 °F) |
| Humidity..... | MIL-STD-202, Method 103B, Condition B |
| Vibration | 5 G |
| Shock..... | 50 G |
| Rotational Life | |
| A & C Bushings (300 rpm maximum)*** | 10,000,000 revolutions |
| W, S & T Bushings (3,000 rpm maximum)*** | 200,000,000 revolutions |
| IP Rating..... | IP 40 |

** See schematic note page 2

***For resolutions ≤ 128 quadrature cycles per shaft revolution.



Asia-Pacific: Tel: +886-2 2562-4117 • Email: asiacus@bourns.com

Europe: Tel: +36 88 885 877 • Email: eurocus@bourns.com

The Americas: Tel: +1-951 781-5500 • Email: americus@bourns.com

www.bourns.com



WARNING
Cancer and Reproductive Harm
www.P65Warnings.ca.gov

*RoHS Directive 2015/863, Mar 31, 2015 and Annex.

Specifications are subject to change without notice.
Users should verify actual device performance in their specific applications.
The products described herein and this document are subject to specific legal disclaimers as set forth on the last page of this document, and at www.bourns.com/docs/legal/disclaimer.pdf.

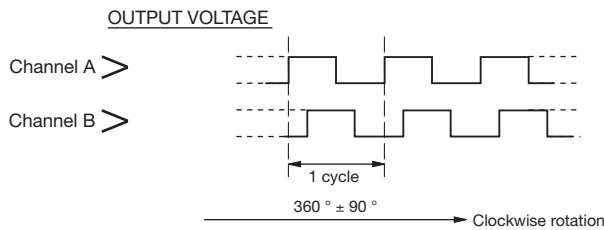


EN – Rotary Optical Encoder BOURNS®

Mechanical Characteristics

| | |
|---|--|
| Mechanical Angle | 360 ° Continuous |
| Torque (Starting and Running) | |
| A & C Bushings (Spring Loaded for Optimum Feel) | 1 N-cm (1.5 oz-in.) maximum |
| W, S & T Bushings (Ball Bearing Shaft Support) | 0.07 N-cm (0.1 oz-in.) maximum |
| Mounting Torque | 1.7 to 2.0 N-m (15 to 18 lb.-in.) maximum |
| Shaft End Play | 0.30 mm (0.012 ") T.I.R. maximum |
| Shaft Radial Play | 0.12 mm (0.005 ") T.I.R. maximum |
| Weight | 11 gms. (0.4 oz.) |
| Terminals | Axial or radial pc pins or ribbon cable |
| Soldering Condition | |
| Manual Soldering | 96.5Sn/3.0Ag/0.5Cu solid wire or no-clean rosin cored wire 370 °C (700 °F) max. for 3 seconds |
| Wave Soldering | 96.5Sn/3.0Ag/0.5Cu solder with no-clean flux 260 °C (500 °F) max. for 5 seconds |
| Wash processes | Not recommended |
| Marking | Manufacturer's trademark, name, part number, and date code. |
| Hardware | One lockwasher and one mounting nut supplied with each encoder, except on servo mount versions. |

Quadrature Output Table



STANDARD RESOLUTIONS AVAILABLE

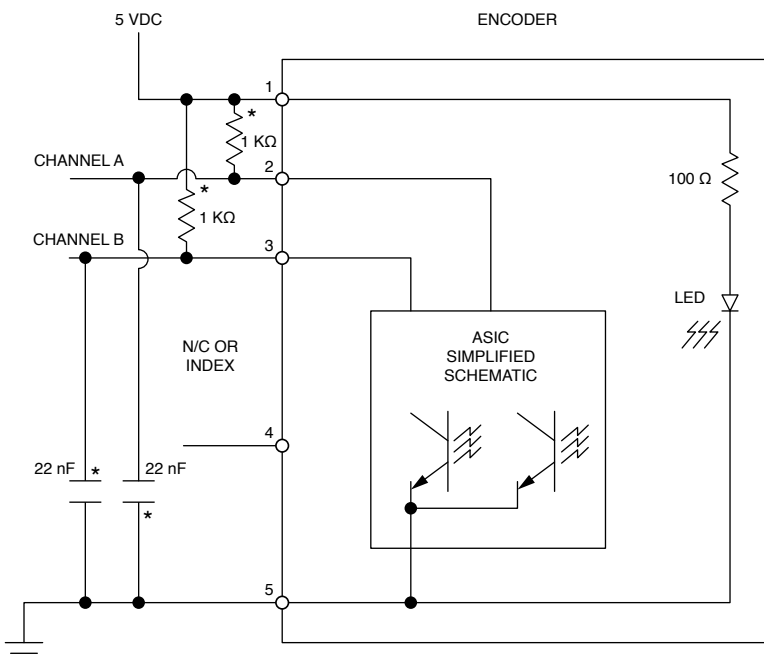
(Full quadrature output cycles per shaft revolution)

| | |
|-----|-----|
| 25* | 125 |
| 50* | 128 |
| 64 | 200 |
| 100 | 256 |

For Non-Standard Resolutions—Consult Factory

* Channel B leads Channel A

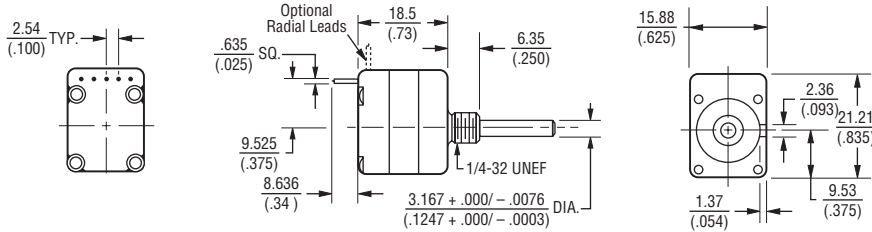
14 mm Optical Encoder Electrical Diagram



*External pull-up resistors (1K ohms) and filter caps (22 nF) recommended for proper operation. Utilization of a filter circuit will yield a typical rise time of 50 microseconds. See schematic.

Specifications are subject to change without notice. Users should verify actual device performance in their specific applications. The products described herein and this document are subject to specific legal disclaimers as set forth on the last page of this document, and at www.bourns.com/docs/legal/disclaimer.pdf.

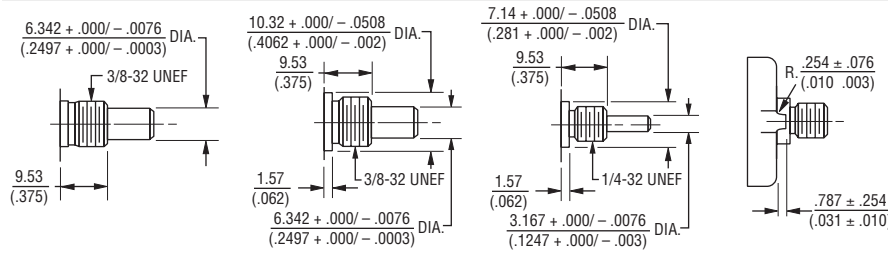
Dimensional Drawings



Bushing Style C

Consult factory for options not shown, including:

- Wire lead or cable options
- Connectors
- Non-standard resolutions
- Special shaft/bushing sizes and features
- Special performance characteristics
- PCB mounting bracket



Bushing Style A

Bushing Style S (Ball Bearing)

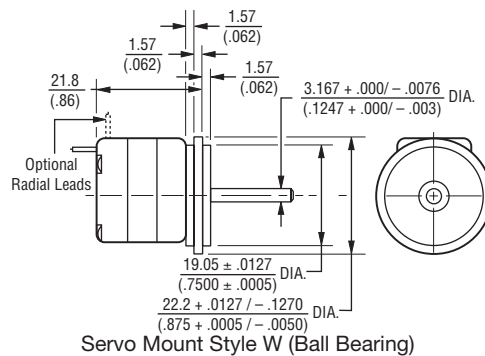
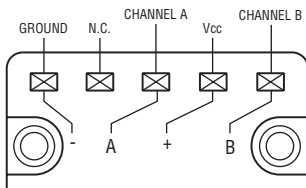
Bushing Style T (Ball Bearing)

Anti-rotation Lug View

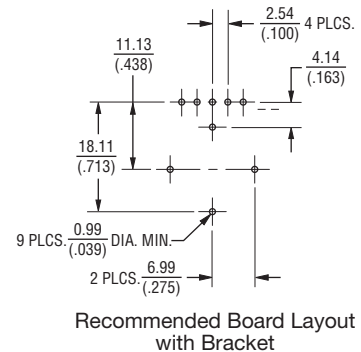
Shaft End Style C

| SHAFT LENGTH (DIM. F) | SHAFT FLAT LENGTH (DIM. F) |
|-----------------------|----------------------------|
| 12.7 (.050) | 2.54 (.100) |
| 15.9 (.625) | 5.08 (.200) |
| 19.1 (.750) | 8.25 (.325) |
| 22.2 (.875) | 9.65 (.380) |

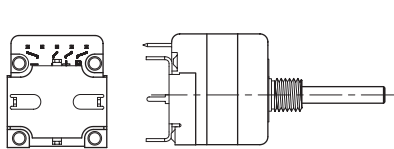
TERMINATION DIAGRAM



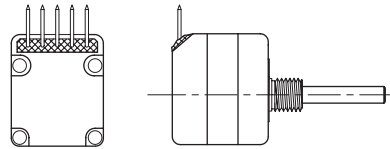
Servo Mount Style W (Ball Bearing)



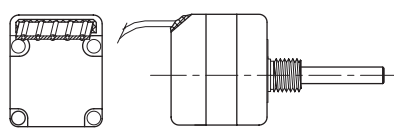
Recommended Board Layout with Bracket



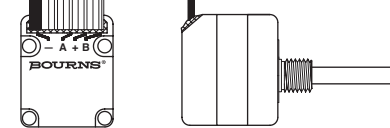
Bushing with Bracket



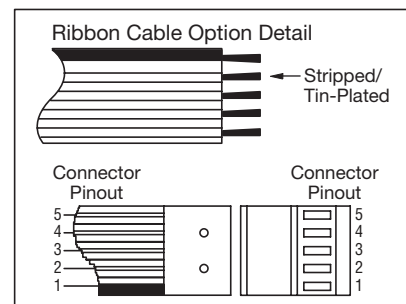
Radial Leads



Axial Ribbon Cable Option



Radial Ribbon Cable Option



DIMENSIONS: $\frac{\text{MM}}{\text{(INCHES)}}$

Specifications are subject to change without notice.

Users should verify actual device performance in their specific applications.

The products described herein and this document are subject to specific legal disclaimers as set forth on the last page of this document, and at www.bourns.com/docs/legal/disclaimer.pdf.

How To Order

