

EP70XXC Demonstration Platform

1. Overview

The EP70XX Demo Platform comprises a single board that contains either the EP7010 or EP7038 device with no external components for the operation of the IVR.

The demo platform is equipped to connect a PC via a micro-USB connector and a USB-to-I2C translation circuit, allowing IVR configuration through a Graphical User Interface (GUI). There are also headers and test points to connect input power, output loads and probe I/O signals.

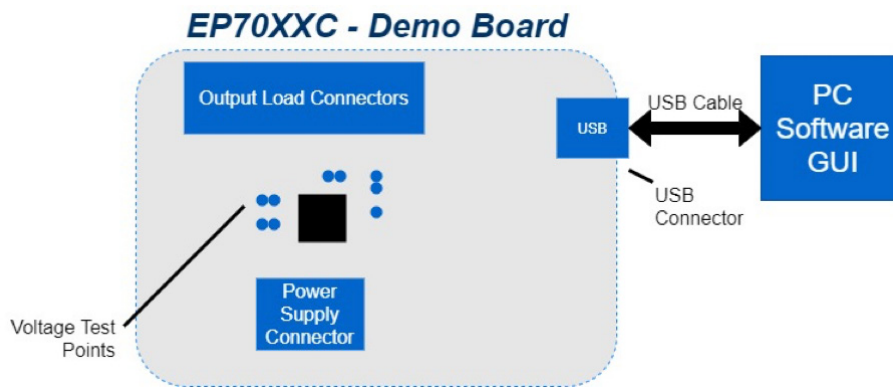
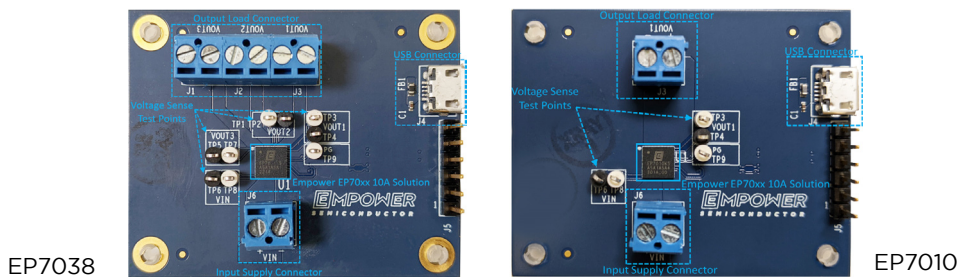


Figure 1. EP70XXC Demo Board and Supporting Features.



2. Notice and Legal Disclaimer

Demonstration platforms developed by Empower Semiconductor are used to enable customers to learn about product performance and features through an illustrative example implementation. Such demonstration platforms are intended for informational use only and are not intended for any other use, including without limitation any use in a production capacity. The demonstration platforms are the confidential and proprietary information of Empower Semiconductor. You may not reverse engineer, disassemble or decompile the demonstration platforms. Empower Semiconductor supplies the demonstration platforms “as is”, without any representation or warranty, including without limitation and warranty of title, non-infringement merchantability or fitness for a particular purpose, and does not assume responsibility for the use of any circuitry other than circuitry entirely embodied in an Empower Semiconductor product.

Empower Semiconductor
1164 Cadillac Ct.
Milpitas, CA 95035

© 2021 Empower Semiconductor, Inc. All rights reserved.

Empower products are sold by description only. Empower Semiconductor, Inc. reserves the right to make changes in circuit design, software and/or specifications at any time without notice. Accordingly, the reader is cautioned to verify that data sheets are current before placing orders. Information furnished by Empower is believed to be accurate and reliable. However, no responsibility is assumed by Empower or its subsidiaries for its use; nor for any infringements of patents or other rights of third parties which may result from its use. No license is granted by implication or otherwise under any patent or patent rights of Empower or its subsidiaries. For information regarding Empower Semiconductor, Inc. and its products, visit www.empowersemi.com