



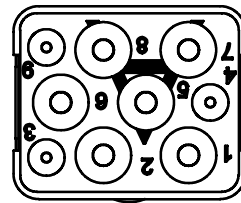
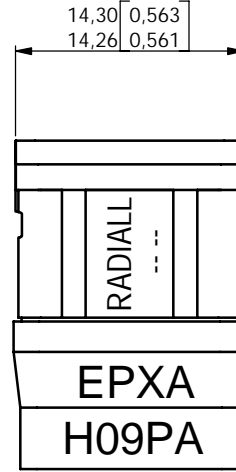
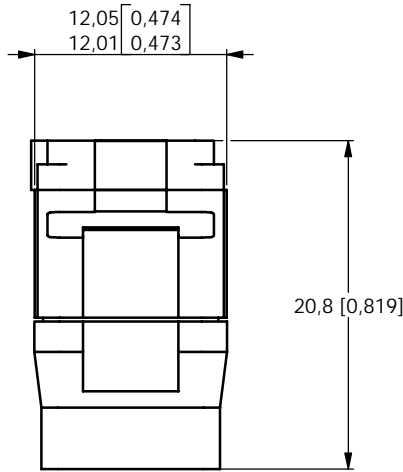
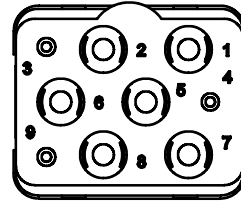
Series
EPXA

Insert with rear grommet.
With 3 cavities for size 20 pin contacts
And 6 cavities for size 16 pin contacts.

Issue:
April 17, 2002

Page
1 / 1

Mating face

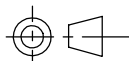


Materials :

- Insert : thermosetting fiberglass filled per ASTM D 5948-96, with metallic retention clip per ASTM-B-194
- Rear grommet : fluorosilicone elastomer per MIL-R-25988 B except 4.6.6.1

Temperature range : -65°C +175°C (-85°F +347°F)

DIMENSIONS : mm (inch) -



This information is given as an indication in the continual goal to improve our products, we reserve the right to make any modifications judged necessary.

4112_9311

CREATION				
PEN:				
NOM: LAHERA				
DATE: Apr 17 2002				
APPR.: G.Motteau	Issue	Revisions	Name	Approved

