



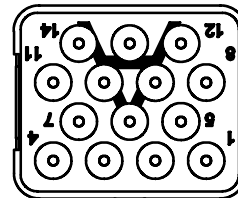
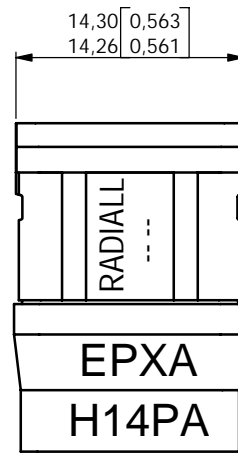
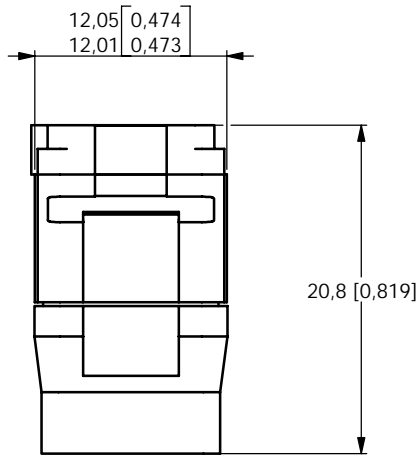
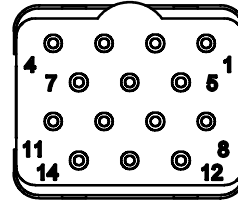
Series  
EPXA

Insert with rear grommet.  
With 14 cavities for size 20 pin contacts.

Issue:  
April 17, 2002

Page  
1 / 1

Mating face

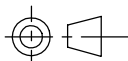


Material:

- Thermosetting fiberglass filled per ASTM D 5948-96, with metallic retention clip per ASTM-B-194.
- Rear grommet: fluorosilicone elastomer per MIL-R-25988 B except 4.6.6.1.

Temperature range : -65°C +175°C (-85°F +347°F)

DIMENSIONS : mm (inch) -



This information is given as an indication. In the continual goal to improve our products, we reserve the right to make any modifications judged necessary.

4112\_9311

CREATION				
PEN:				
NOM: LAHERA				
DATE: Apr 17 2002				
APPR.: G.Motteau				
Issue	Revisions	Name	Approved	

**RADIALL**<sup>®</sup>