

PART NAME	ECONOMIZER STEEL DOOR (19" P.S.)	PART No.	ER-16531 thru ER-16596
-----------	----------------------------------	----------	------------------------

MATERIAL:

DOOR _____ 20 GA. STEEL
 DOOR STIFFENER _____ 18 GA. STEEL

FINISH:

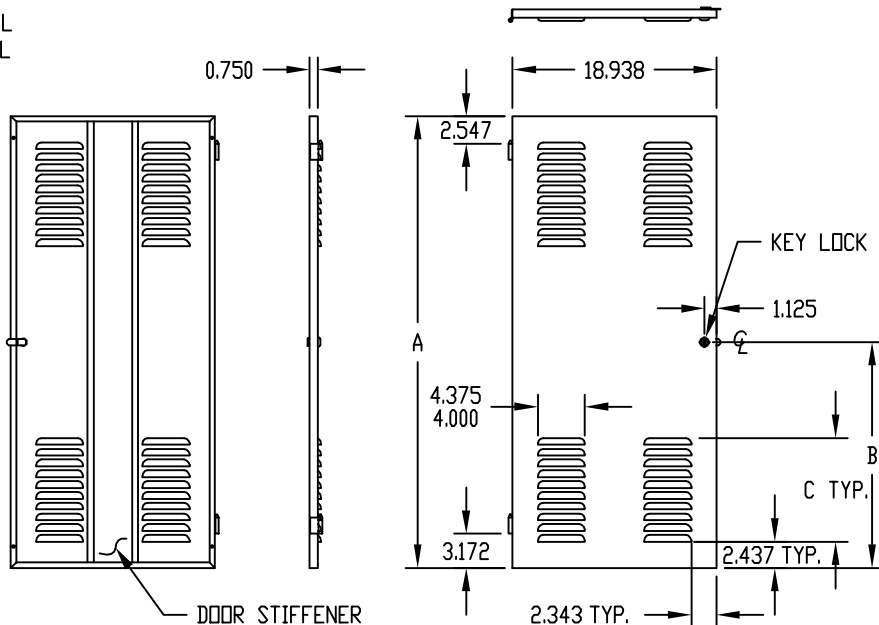
POWDER COAT
 SAND TEXTURED "S"
 ROYAL BLUE TEXTURED "RB"
 BLACK TEXTURED "BT"

DOOR MAY BE USED ON
 FRONT OR REAR OF
 ECONOMIZER RACKS.

DOOR IS HINGED LEFT.

DOOR USED ON RACKS WITH
 19" WIDE PANEL SPACE.

* - HAS NO DOOR STIFFENER.



PART NUMBER		HEIGHT A	B	HEIGHT OF LOUVERS C	NUMBER OF LOUVERS PER GROUP	FITS RACK WITH THIS PANEL SPACE HEIGHT
PLAIN	LOUVERED					
* ER-16531	-----	20.937	10.468	-----	-----	21.000
ER-16532	ER-16592	41.937	20.968	9.625	10	42.000
ER-16533	ER-16593	52.437	26.218	14.625	15	52.500
ER-16534	ER-16594	61.187	30.593	14.625	15	61.250
ER-16535	ER-16595	69.937	34.968	14.625	15	70.000
ER-16536	ER-16596	78.687	39.343	14.625	15	78.750

PART NAME	ECONOMIZER STEEL DOOR (24" P.S.)	PART No.	ER-16832 thru ER-16996
-----------	----------------------------------	----------	------------------------

MATERIAL:

DOOR _____ 20 GA. STEEL
 DOOR STIFFENER _____ 18 GA. STEEL

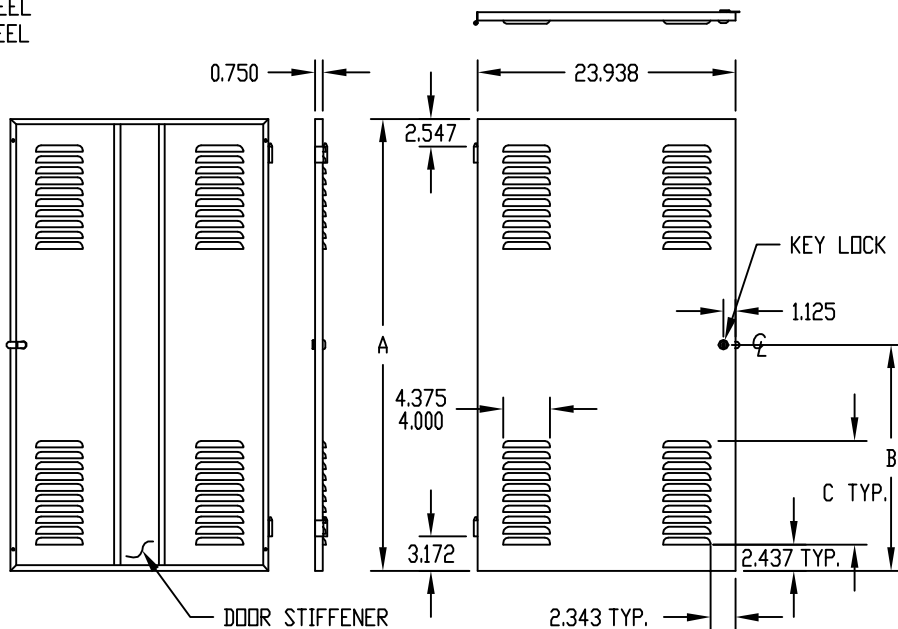
FINISH:

POWDER COAT
 SAND TEXTURED "S"
 ROYAL BLUE TEXTURED "RB"
 BLACK TEXTURED "BT"

DOOR MAY BE USED ON
 FRONT OR REAR OF
 ECONOMIZER RACKS.

DOOR IS HINGED LEFT.

DOOR USED ON RACKS WITH
 24" WIDE PANEL SPACE.



PART NUMBER		HEIGHT A	B	HEIGHT OF LOUVERS C	NUMBER OF LOUVERS PER GROUP	FITS RACK WITH THIS PANEL SPACE HEIGHT
PLAIN	LOUVERED					
ER-16832	ER-16992	41.937	20.968	9.625	10	42.000
ER-16833	ER-16993	52.437	26.218	14.625	15	52.500
ER-16834	ER-16994	61.187	30.593	14.625	15	61.250
ER-16835	ER-16995	69.937	34.968	14.625	15	70.000
ER-16836	ER-16996	78.687	39.343	14.625	15	78.750