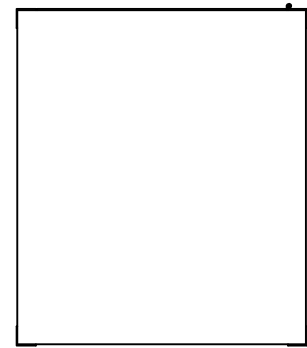


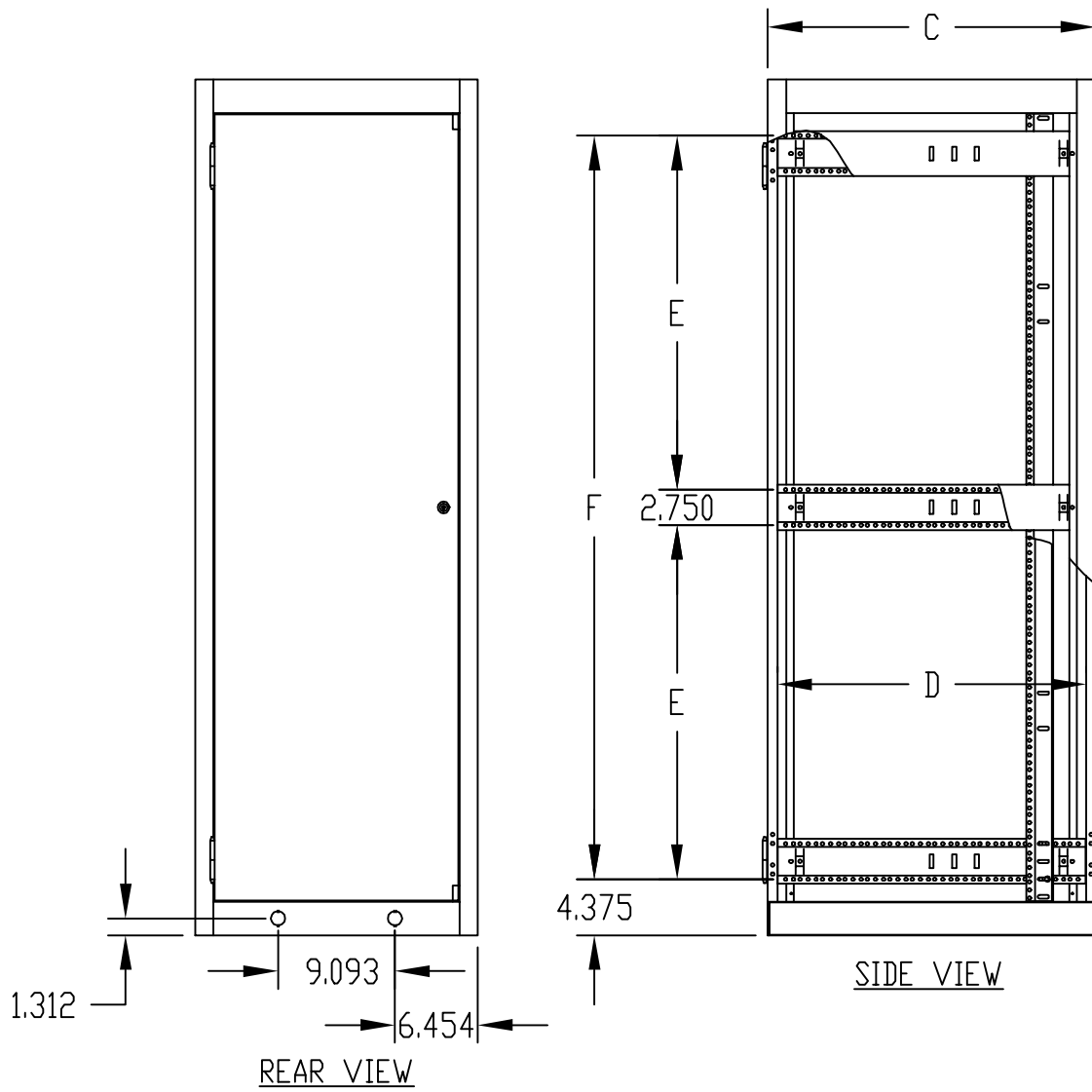
PART NAME	ECONOMIZER ADD-A-RACK (19" P.S.)	PART No.	ER-16552 thru ER-16576	REV. DATE	1-27-11
-----------	----------------------------------	----------	------------------------	-----------	---------

NOTES:

- ① PANEL MOUNTING RAILS TAPPED #10-32 ON E.I.A. UNIVERSAL SPACING AND ARE FULLY ADJUSTABLE.
- ② MOUNTING HOLES PIERCED IN BASE FOR #RC-7758 CASTERS.
- ③ LOAD RATING: 1200 LBS. MAX.

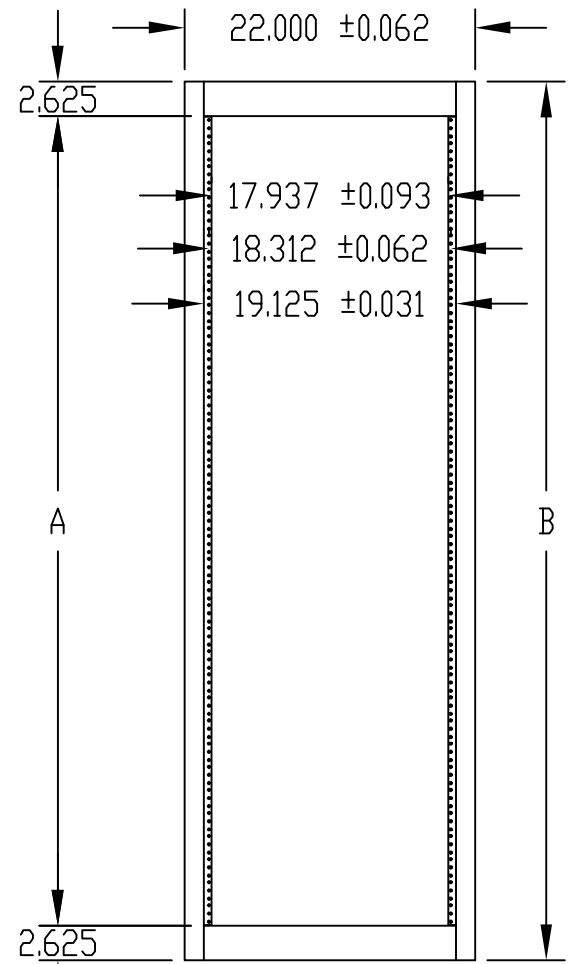


TOP VIEW



REAR VIEW

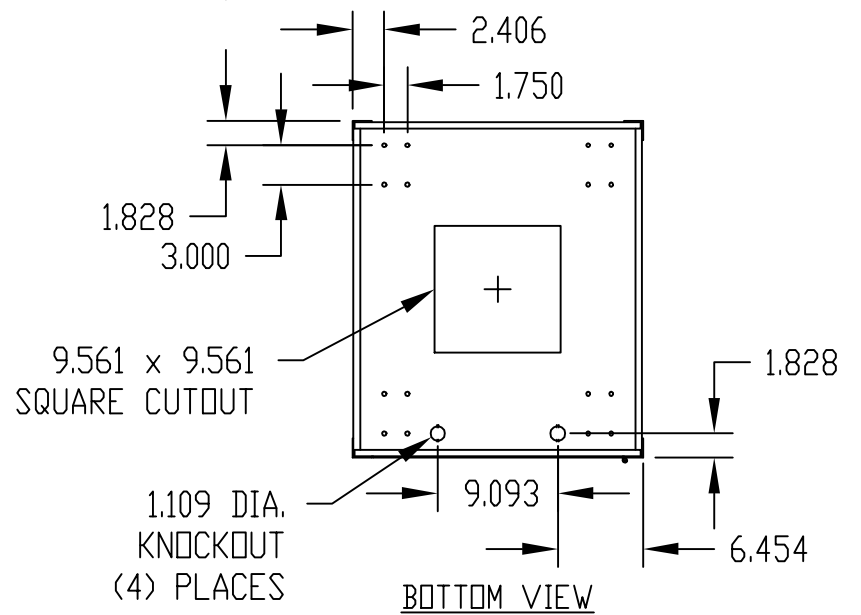
SIDE VIEW



FRONT VIEW

MATERIAL:
 REAR DOOR _____ 20 GA. STEEL
 REAR DOOR STIFFENER _____ 18 GA. STEEL
 TOP, BOTTOM, RAIL SUPPORTS
 AND DOOR STOPS _____ 16 GA. STEEL
 VERTICAL RAILS _____ 14 GA. STEEL
 PANEL MOUNTING RAILS _____ 12 GA. STEEL

FINISH:
 FRAME ASSEMBLY
 AND REAR DOOR _____ SAND TEXTURE
 _____ ROYAL BLUE TEXTURE
 _____ BLACK TEXTURE
 PANEL MOUNTING RAILS
 AND DOOR STOPS _____ SMOOTH BLACK



BOTTOM VIEW

OPTIONAL ACCESSORIES

PART NO.	PANEL SPACE A	B	C	D	E	F	PANEL MTG. RAILS PART NO.	ECONOGLAS DOORS PART NO.
ER-16552	42.000	47.312	18.500	17.000	—	38.562	PMR-9450	V-9763-L
ER-16553	52.500	57.812			—	49.062	PMR-9451	V-9764-L
ER-16554	61.250	66.562			27.531	57.812	PMR-9452	V-9765-L
ER-16555	70.000	75.312			31.906	66.562	PMR-9453	V-9766-L
ER-16556	78.750	84.062	18.500	17.000	36.281	75.312	PMR-9454	V-9767-L
ER-16561	21.000	26.312	25.500	24.000	—	17.562	PMR-9448	V-9760-L
ER-16562	42.000	47.312			—	38.562	PMR-9450	V-9763-L
ER-16563	52.500	57.812			—	49.062	PMR-9451	V-9764-L
ER-16564	61.250	66.562			27.531	57.812	PMR-9452	V-9765-L
ER-16565	70.000	75.312			31.906	66.562	PMR-9453	V-9766-L
ER-16566	78.750	84.062	25.500	24.000	36.281	75.312	PMR-9454	V-9767-L
ER-16571	21.000	26.312	30.750	29.250	—	17.562	PMR-9448	V-9760-L
ER-16572	42.000	47.312			—	38.562	PMR-9450	V-9763-L
ER-16573	52.500	57.812			—	49.062	PMR-9451	V-9764-L
ER-16574	61.250	66.562			27.531	57.812	PMR-9452	V-9765-L
ER-16575	70.000	75.312			31.906	66.562	PMR-9453	V-9766-L
ER-16576	78.750	84.062	30.750	29.250	36.281	75.312	PMR-9454	V-9767-L