

# ES-246 ETHERNET TO SERIAL DEVICE SERVER

## Ethernet 1 Port RS232

*CONNECT, CONFIGURE, CONTROL YOUR SERIAL DEVICES*

### Features

- 1 port RS232
- Max baud rate 1,000,000 1 MegaBaud
- 10/100Base TX Ethernet port
- User friendly interface, simple to use, powerful in operation
- Web configuration and RFC2217 compliant interface for non-Windows users
- IP-30 rated enclosure
- LED status indication
- Optional DIN rail mounting kit
- Serial Port Tunneling (individually configurable) allows serial cable replacement over any distance, no software required
- Power supply included (power input 5-30V DC)
- Simple operation for each and every operating system!



### Description

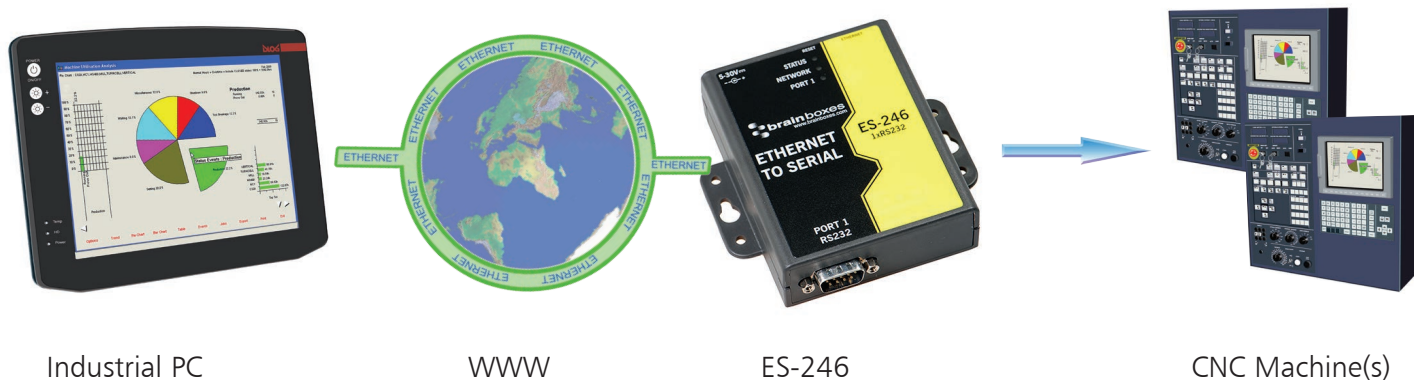
Ethernet to Serial device server providing access to one RS232 serial port. Data transfer rates up to 1,000,000 baud, coupled with 1Mbit/s line drivers deliver uncompromising performance. Our ES range provides simple instant networked serial ports. A web interface allows secure configuration and control of the serial ports over a local network or the internet using any browser. For Windows our in-house designed 32 bit and 64 bit driver gives you local COM ports, retaining existing software applications and allowing you to connect across your network to remote devices just as if they were attached locally. Serial Port Tunneling individually configurable allows serial cable replacement over any distance, no software required. You can access the device via TCP/IP sockets from any networked device like an Android tablet, PC or phone. On Windows OS TCP/IP sockets are handled by the Winsock API, this will differ on other OSs.

**Windows Users** - Our software drivers gives you local COM ports, allowing you to retain your existing software applications and connect to your devices over the network. COM Port can be assigned from COM1 to COM255 and the Brainboxes Ethernet to serial device remembers your COM Port assignment on reboots.

**Web Interface Users (Linux/Apple OS/Android)** - Alternatively access the device via TCP/IP socket from any networked device. Configure options via web interface.

Extend your reach! Remote serial devices with local control. With Brainboxes industry renowned Lifetime Warranty and Lifetime Support!

### Example Application



Industrial PC

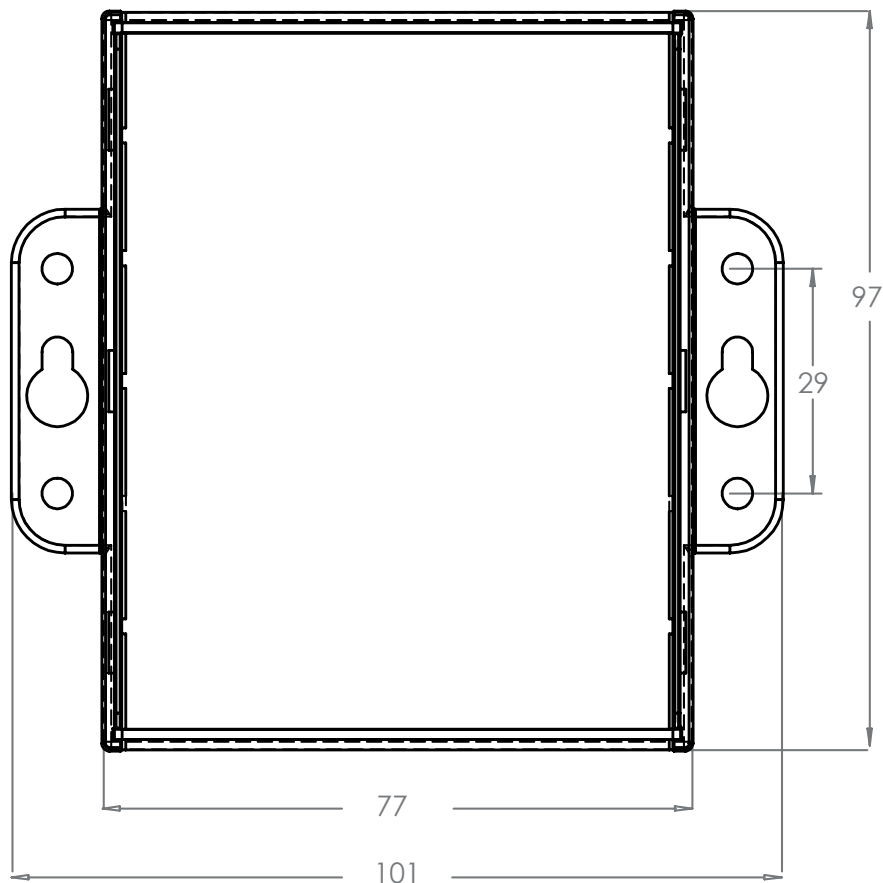
WWW

ES-246

CNC Machine(s)

# ES-246 Ethernet 1 Port RS232

## Box Information



## LED Information

### Status LED

Green	Device Ready
Flashing Yellow	Changing Settings
Flashing between Red & Green	Querying IP
Flashing Green/Red	User performing Hard Reset
Flashing between Green & Red/Yellow	IP address diagnostic
Flashing between Green & Yellow	Initialization diagnostic

### Serial Port LEDs

Green light on	Port Open
Flashing Green	Data RX / TX

### Network LED

Green light on	Link Established
Flashing Green	Data RX / TX

## Port

Ports	1 port RS232
Connector	DB9 Connector - 9 Pin Male
Power Input	5 - 30V DC input, reverse polarity protected
Power Consumption	0.76W Typical

# ES-246 Ethernet 1 Port RS232

## Port Settings - RS232

<b>Baud Rate</b>	From 110 - 1,000,000 1 MegaBaud
<b>Data Bits</b>	5,6,7 or 8
<b>Parity</b>	Odd, Even, None, Mark or Space
<b>Stop Bits</b>	1 or 2
<b>Flow Control</b>	RTS/CTS, DSR/DTR, XON/XOFF
<b>Tx/Rx Modes</b>	Point to Point

## Port Settings - Ethernet

<b>Data Rate</b>	10/100 Mega bits/second
<b>Cabling</b>	Normal / Crossover auto-sensing (Auto-MDIX)

## Environmental

<b>Operating Temperature</b>	-10 to +60°C
<b>Storage Temperature</b>	-20 to 85°C
<b>Ambient Relative Humidity</b>	5 to 95% (non-condensing)
<b>Housing</b>	IP-30 rated case

## Software

<b>Network Protocols</b>	ICMP, IP, TCP, UDP, DHCP, BOOTP, Telnet, HTTP, RFC2217
<b>Data Transfer Protocol</b>	TCP
<b>Configuration Options</b>	Windows Utility, Web Interface
<b>OS Compatibility</b>	Microsoft Windows 8 32 bit & 64 bit Editions / Microsoft Windows 7 32 bit & 64 bit Editions / Windows Server 2008 32 bit & 64 bit Editions / Windows Vista 32 bit & 64 bit Editions / Windows Server 2003 32 bit & 64 bit Editions / Windows XP 32 bit & 64 bit Editions / Fully RFC2217 compliant / Interface for other OS's & Linux

## Approvals

<b>Industry Approvals</b>	AEO C-TPAT Microsoft Certified Gold Partner WEEE RoHS EMC: CE
<b>Microsoft Approvals</b>	TAA Microsoft Certified Gold Partner
<b>Microsoft Signed Drivers</b>	Windows 10 32 bit & 64 bit Editions Windows 7 32 bit & 64 bit Editions Windows Vista 32 bit & 64 bit Editions Windows Server 2008 32 bit & 64 bit Editions Windows 2000



## Packing Information

<b>Packaging</b>	Quick Start Guide, Country Specific Power Supply, Installation CD including manual, Microsoft signed drivers & utilities
<b>Device</b>	Ethernet 1 Port RS232
<b>Accessory Items</b>	Global Power Supply - PW-800 (included), DIN-Rail Mounting Kit - MK-048
<b>Packaged Weight</b>	0.362 kg
<b>Packaged Dims</b>	200l x 135w x 80h mm