

# ES-313 ETHERNET TO SERIAL DEVICE SERVER

## Ethernet 2 Port RS422/485

*CONNECT, CONFIGURE, CONTROL YOUR SERIAL DEVICES*



### Features

- 2 port RS422/485
- Max baud rate 1,000,000 1 MegaBaud
- 10/100Base TX Ethernet port
- User friendly interface, simple to use, powerful in operation
- Web configuration and RFC2217 compliant interface
- IP-30 rated enclosure
- LED status indication
- Optional DIN rail mounting kit
- Serial Port Tunneling (individually configurable) allows serial cable replacement over any distance, no software required
- Power supply included with screw fix connector (5-30V DC)
- Simple operation for each and every operating system!
- Lifetime Warranty
- Lifetime Support



### Description

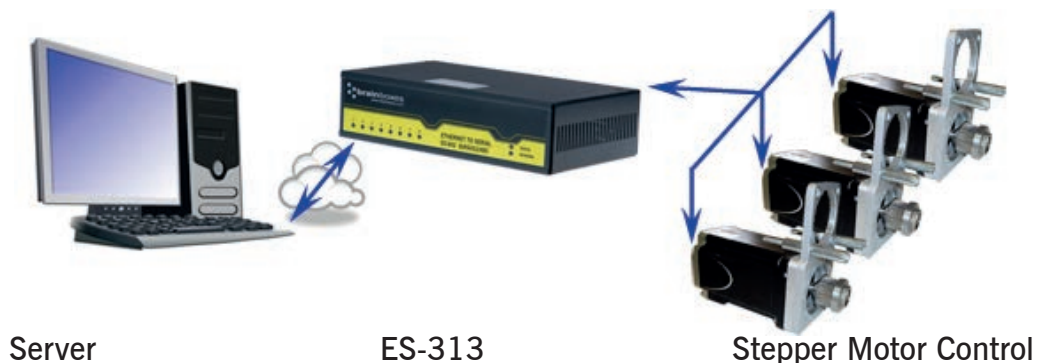
Ethernet to Serial device server providing access to two RS422/485 serial ports. Data transfer rates up to 1,000,000 baud, coupled with 1Mbit/s line drivers deliver uncompromising performance. Our ES range provides simple instant networked serial ports. RS485 - 1 twisted pair - half duplex configuration with autogating provides trouble free data transmission due to automatic control of data direction. A web interface allows secure configuration and control of the serial ports over a local network or the internet using any browser. For Windows our in-house designed 32 bit and 64 bit driver gives you local COM ports, retaining existing software applications and allowing you to connect across your network to remote devices just as if they were attached locally. Serial Port Tunneling individually configurable allows serial cable replacement over any distance, no software required. You can access the device via TCP/IP sockets from any networked device like an Android tablet, PC or phone. On Windows OS TCP/IP sockets are handled by the Winsock API, this will differ on other OSs.

**Windows Users** - Our software drivers gives you local COM ports, allowing you to retain your existing software applications and connect to your devices over the network. COM Port can be assigned from COM1 to COM255 and the Brainboxes Ethernet to serial device remembers your COM Port assignment on reboots.

**Web Interface Users (Linux/Apple OS/Android)** - Alternatively access the device via TCP/IP socket from any networked device. Configure options via web interface.

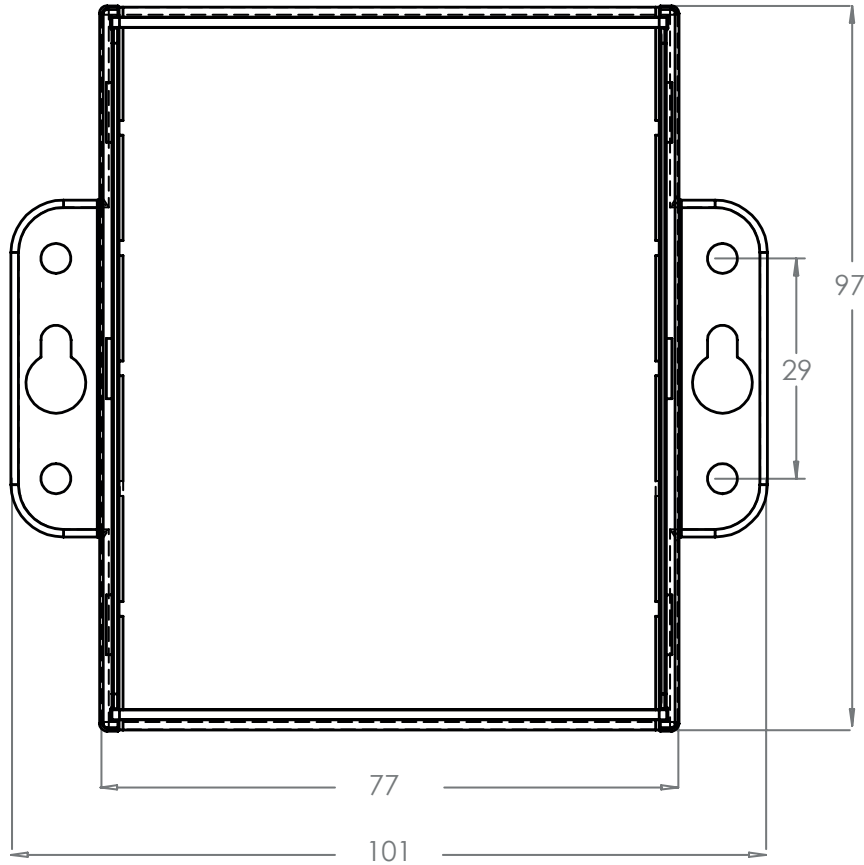
Extend your reach! Remote serial devices with local control. With Brainboxes industry renowned Lifetime Warranty and Lifetime Support!

### Example Application



# ES-313 Ethernet 2 Port RS422/485

## Box Information



## LED Information

### Status LED

Green	Device Ready
Flashing Yellow	Changing Settings
Flashing between Red & Green	Querying IP
Flashing Green/Red	User performing Hard Reset
Flashing between Green & Red/Yellow	IP address diagnostic
Flashing between Green & Yellow	Initialization diagnostic

### Serial Port LEDs

Green light on	Port Open
Flashing Green	Data RX / TX

### Network LED

Green light on	Link Established
Flashing Green	Data RX / TX

## Port

Ports	2 port RS422/485
Connector	DB9 Connector - 9 Pin Male
Power Input	5 - 30V DC input, reverse polarity protected
Power Consumption	1.06W Typical, 2.6W Max

# ES-313 Ethernet 2 Port RS422/485

## Port Settings - RS422/485

<b>Baud Rate</b>	From 110 - 1,000,000 1 MegaBaud
<b>Data Bits</b>	5,6,7 or 8
<b>Parity</b>	Odd, Even, None, Mark or Space
<b>Stop Bits</b>	1 or 2
<b>Flow Control</b>	RTS/CTS, XON/XOFF
<b>Tx/Rx Modes</b>	<p><b>RS422 Standard:</b> RS422 allows one transmitter and up to 10 receivers with data transmitter rates up to 10 megabits per second for distances up to 40 feet and up to 100 Kilobits per second for distances up to 4,000 feet (1219 metres).</p> <p>To achieve good long distance noise immunity, 2 wires are used to carry each signal, configured as a twisted pair of cables. The TXD pair and RXD pair are used to carry the data whilst the RTS pair and CTS pair lines are used for handshaking. Thus 2 twisted pairs are used without handshaking and 4 twisted pair cable is used with handshaking both these schemes allow full duplex data communications.</p> <p><b>RS485 Standard:</b> RS485, based on the RS422 standard allows up to 32 driver/receivers pairs on a standard load or 128 low load devices per port can be connected. Whilst only one of these should be transmitting data at any time, the rest can all simultaneously listen to the data. Handshaking is performed by software protocol. Two twisted pairs form a full duplex system.</p> <p>Often only one twisted pair cable is used as the TXD and RXD lines are tied together; this is known as half duplex mode. Brainboxes RS422/485 products implement a state of the art hardware autogating circuit ensuring error free communications in half duplex configurations.</p>

## Port Settings - Ethernet

<b>Data Rate</b>	10/100 Mega bits/second
<b>Cabling</b>	Normal / Crossover auto-sensing (Auto-MDIX)

## Environmental

<b>Operating Temperature</b>	-10 to 60°C
<b>Storage Temperature</b>	-20 to 85°C
<b>Ambient Relative Humidity</b>	5 to 95% (non-condensing)
<b>Housing</b>	IP-30 rated case

## Software

<b>Network Protocols</b>	ICMP, IP, TCP, DHCP, BOOTP, Telnet, HTTP, RFC2217
<b>Configuration Options</b>	Windows Utility, Web Interface
<b>OS Compatibility</b>	Microsoft Windows 10 32 bit & 64 bit Editions / Microsoft Windows 8 32 bit & 64 bit Editions / Microsoft Windows 7 32 bit & 64 bit Editions / Windows Server 2008 32 bit & 64 bit Editions / Windows Vista 32 bit & 64 bit Editions / Windows Server 2003 32 bit & 64 bit Editions / Windows XP 32 bit & 64 bit Editions / Microsoft Windows 2000 /Fully RFC2217 compliant / Interface for other OS's & Linux
<b>Connection to Network</b>	Ethernet 10BaseT / 100BaseTX

## Approvals

<b>Industry Approvals</b>	AEO C-TPAT Microsoft Certified Gold Partner WEEE RoHS EMC: CE TAA
<b>Microsoft Approvals</b>	Microsoft Certified Gold Partner
<b>Microsoft Signed Drivers</b>	Windows 10 32 bit & 64 bit Editions Windows 8 32 bit & 64 bit Editions Windows 7 32 bit & 64 bit Editions Windows Vista 32 bit & 64 bit Editions Windows Server 2008 32 bit & 64 bit Editions Windows 2000

