

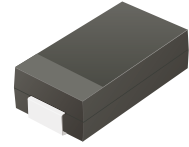
ES8AC-HF Thru. ES8JC-HF

Reverse Voltage: 50 to 600 Volts

Forward Current: 8 Amp

RoHS Device

Halogen Free



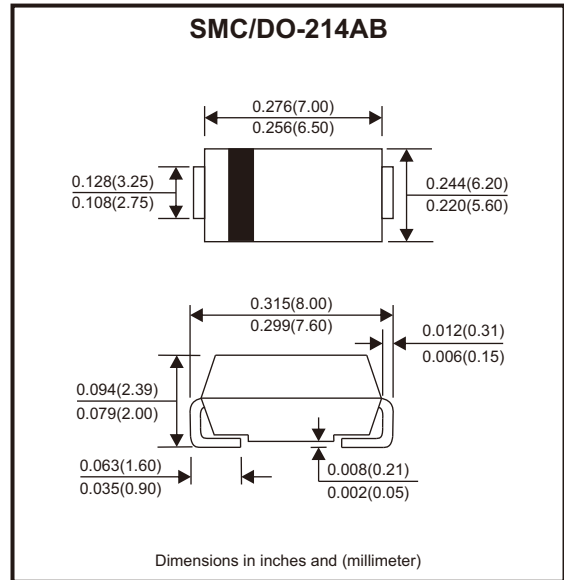
Features

- For surface mounted applications.
- Low profile package.
- Glass passivated chip junction.
- Super fast recovery times for high efficiency.

Mechanical data

- Case: SMC
- Terminals: Solderable per MIL-STD-750, method 2026.

Circuit Diagram



Maximum Ratings and Electrical Characteristics

Ratings at 25°C ambient temperature unless otherwise specified.
Single phase, half wave, 60Hz resistive or inductive load, for capacitive load, derate by 20%

Parameter	Symbols	ES8AC -HF	ES8BC -HF	ES8CC -HF	ES8DC -HF	ES8EC -HF	ES8GC -HF	ES8JC -HF	Units	
Maximum repetitive peak reverse voltage	V _{RRM}	50	100	150	200	300	400	600	V	
Maximum RMS voltage	V _{RMS}	35	70	105	140	210	280	420	V	
Maximum DC blocking voltage	V _{DC}	50	100	150	200	300	400	600	V	
Maximum average forward rectified current at T _c = 50°C	I _{F(AV)}	8							A	
Peak forward surge current, 8.3ms single half sine-wave superimposed on rated load	I _{FSM}	125							A	
Max. forward voltage at 8A	V _F	0.98			1.3		1.7		V	
Maximum DC reverse current at rated DC blocking voltage T _a = 25°C T _a = 125°C	I _R	10				350				μA
Typical junction capacitance at V _R = 4V, f = 1MHz	C _j	90							pF	
Maximum reverse recovery time (Note 1)	t _{rr}	35							ns	
Typical thermal resistance (Note 2)	R _{θJA} R _{θJC}					75		20		°C/W
Operating and storage temperature range	T _j , T _{stg}	-55 ~ +150							°C	

Notes: 1. Measured with I_F = 0.5A, I_R = 1A, I_{rr} = 0.25A.
2. P.C.B. mounted with 2.0" x 2.0" (5 x 5 cm) copper pad areas.

Company reserves the right to improve product design, functions and reliability without notice.

REV:A

Rating and Characteristic Curves (ES8AC-HF Thru. ES8JC-HF)

Fig.1 - Max. Average Forward Current Rating

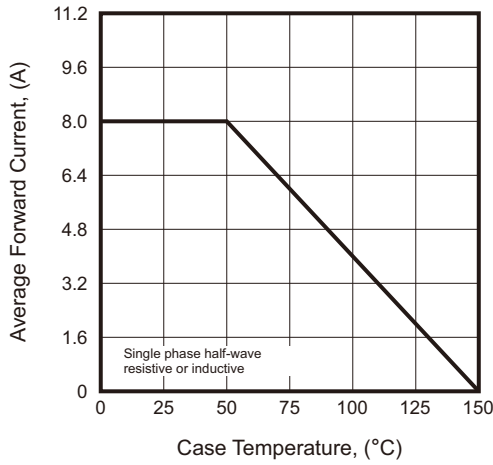


Fig.2 - Typical Reverse Characteristics

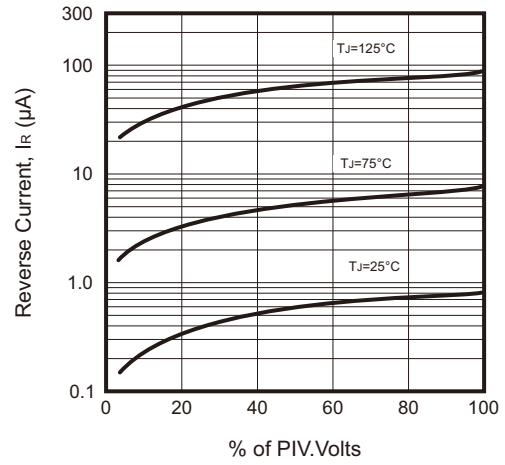


Fig.3 - Typical Forward Characteristic

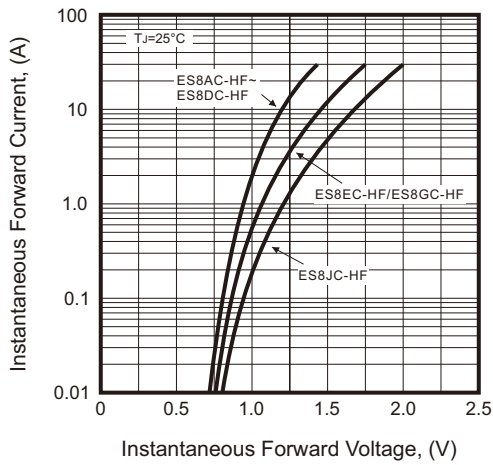


Fig.4 - Typical junction Capacitance

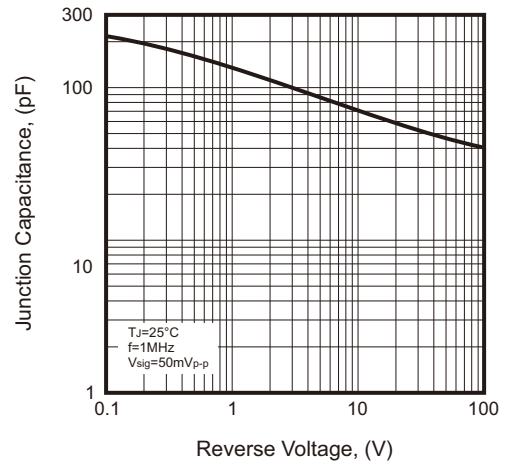
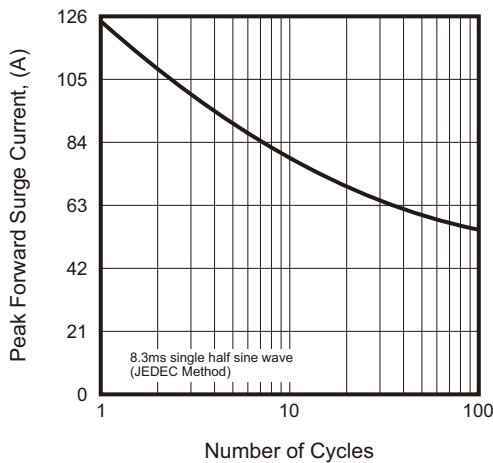
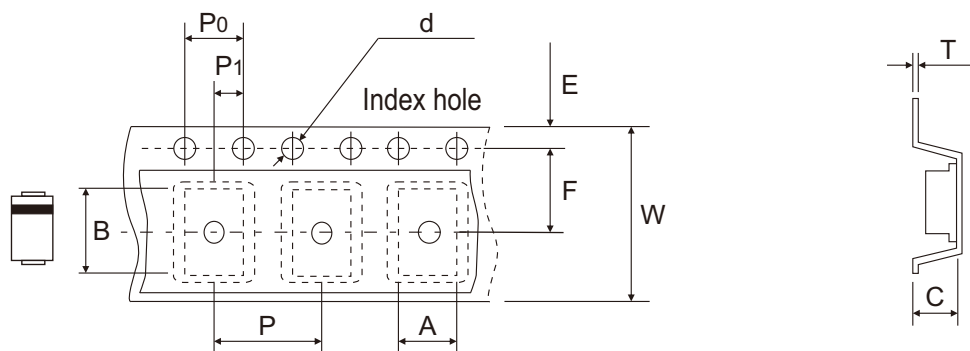


Fig.5 - Maximum Non-Repetitive Peak Forward Surge Current



Company reserves the right to improve product design, functions and reliability without notice.

Reel Taping Specification



DO-214AB (SMC)	SYMBOL	A	B	C	d	D	D1	D2
	(mm)	6.22 ± 0.10	8.31 ± 0.10	2.49 ± 0.10	1.55 ± 0.05	330 ± 2.00	100.00 ± 1.00	13.00 ± 0.20
	(inch)	0.245 ± 0.004	0.327 ± 0.004	0.098 ± 0.004	0.061 ± 0.002	12.992 ± 0.079	3.937 ± 0.039	0.512 ± 0.008

DO-214AB (SMC)	SYMBOL	E	F	P	P0	P1	T	W	W1
	(mm)	1.75 ± 0.10	7.50 ± 0.10	8.00 ± 0.10	4.00 ± 0.10	2.00 ± 0.05	0.28 ± 0.02	16.00 ± 0.30	21.00 + 2.00 - 1.00
	(inch)	0.069 ± 0.004	0.295 ± 0.004	0.315 ± 0.004	0.157 ± 0.004	0.079 ± 0.002	0.011 ± 0.001	0.630 ± 0.012	0.827 + 0.079 - 0.039

Company reserves the right to improve product design, functions and reliability without notice.

REV:A