

ESMIT-4180/C CBM5D33



Description

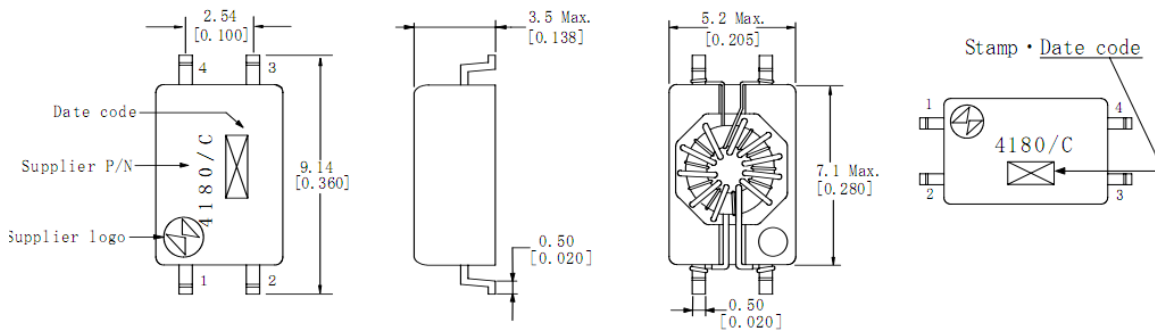
- Reference Design in Freescale HV/EV Battery Management
- Low Profile
- Qualified to AEC-Q200
- High Voltage Isolation 3750Vrms
- Operating Temperature: -40°C to +105°C
- Optimize Core Material for low temperature operation
- For BMS – low voltage applications <less than 100v of working voltage>



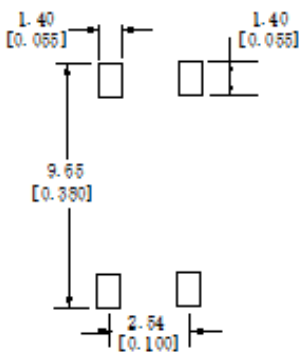
Applications

- Automotive applications (AEC-Q200 only of reliability test)
※There is a difficult case to cope with your request for the use of automotive application.
- Industrial applications

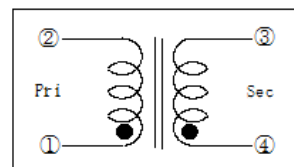
Dimension – mm [inch]



Recommended land pattern - mm [inch]



Schematics (Bottom)



Note : This specification is subject to change without notice. Please contact your nearest sales office for updated information when placing an order.

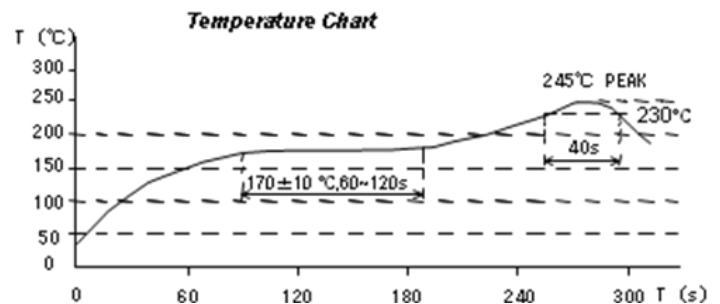
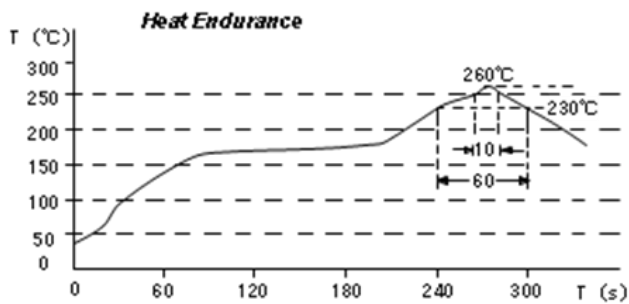
ESMIT-4180/C CBM5D33



Electrical Characteristics @ 25°C

PARAMETER	CONDITIONS	VALUE	UNITS	TOLERANCE
Inductance (OCL)	100 kHz, 0.01 V, (1-2)	125	μH	Min.
Inductance (OCL)	100 kHz, 0.01v , (1.2), -40°C	120	μH	Nom.
DC Resistance (DCR)	(1-2)	0.25	Ω	Max.
	(4-3)	0.25	Ω	Ma.
Dielectric Breakdown Isolation (equivalent to 1 min, 3000 Vrms)	1 sec, (1-4) Max Leakage current 0.5mA	3750	Vrms	Min.
Operating Temperature		-40 to +105	°C	Nom.

Soldering Reflow Profile



For sales office information, please [click here](#) to visit our website.

Note : This specification is subject to change without notice. Please contact your nearest sales office for updated information when placing an order.