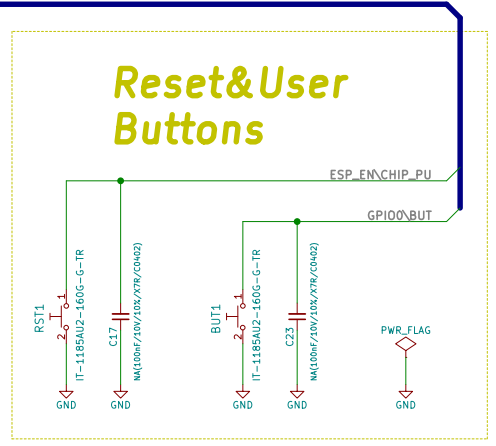


### Fiducials:

UART_PRINT_CONTROL	GPIO46	ROM Code Printing Control
0	-	ROM code will always print information to UART during boot. GPIO46 is not used.
1	0	Print is enabled during boot
1	1	Print is disabled
2	0	Print is disabled
2	1	Print is enabled during boot
3	-	Print is always disabled during boot. GPIO46 is not used.



### ESP32-S2 has three strapping pins: GPIO0, GPIO45, GPIO46

Pin	Default	Strapping Mode	Booting Mode	Download Boot
GPIO0	Pull-Up	0	0	0
GPIO45	Pull-Up	1	0	0
GPIO46	Pull-Up	Don't-care	0	0

**Notes:**  
 1. Firmware can configure register bits to change the settings of "VDD\_SPI Voltage".  
 2. Internal pull-up resistor (R1) for IO45 is not populated in the module, as the flash and SRAM in the module is powered up by external circuit.  
 3. ROM code can be printed over TXDD (by default) or DAC1 (IO17), depending on the eFuse bit.  
 4. When eFuse UART\_PRINT\_CONTROL value is:  
 0, print is normal during boot and not controlled by IO46.  
 1 and IO46 is 0, print is normal during boot; but if IO46 is 1, print is disabled.  
 2 and IO46 is 0, print is disabled; but if IO46 is 1, print is normal.  
 3, print is disabled and not controlled by IO46.

**OLIMEX LTD**  
<https://www.olimex.com>  
 File: ESP32-S2-DevKit-USB\_Rev\_B.sch  
**Title: ESP32-S2-DevKit-USB**  
 Size: A3 Date: 2020-11-11  
 Kicad E.D.A. kicad 5.1.6-c6e7f7487ubuntu18.04.1  
 Rev: B Id: 1/1 PB-Free