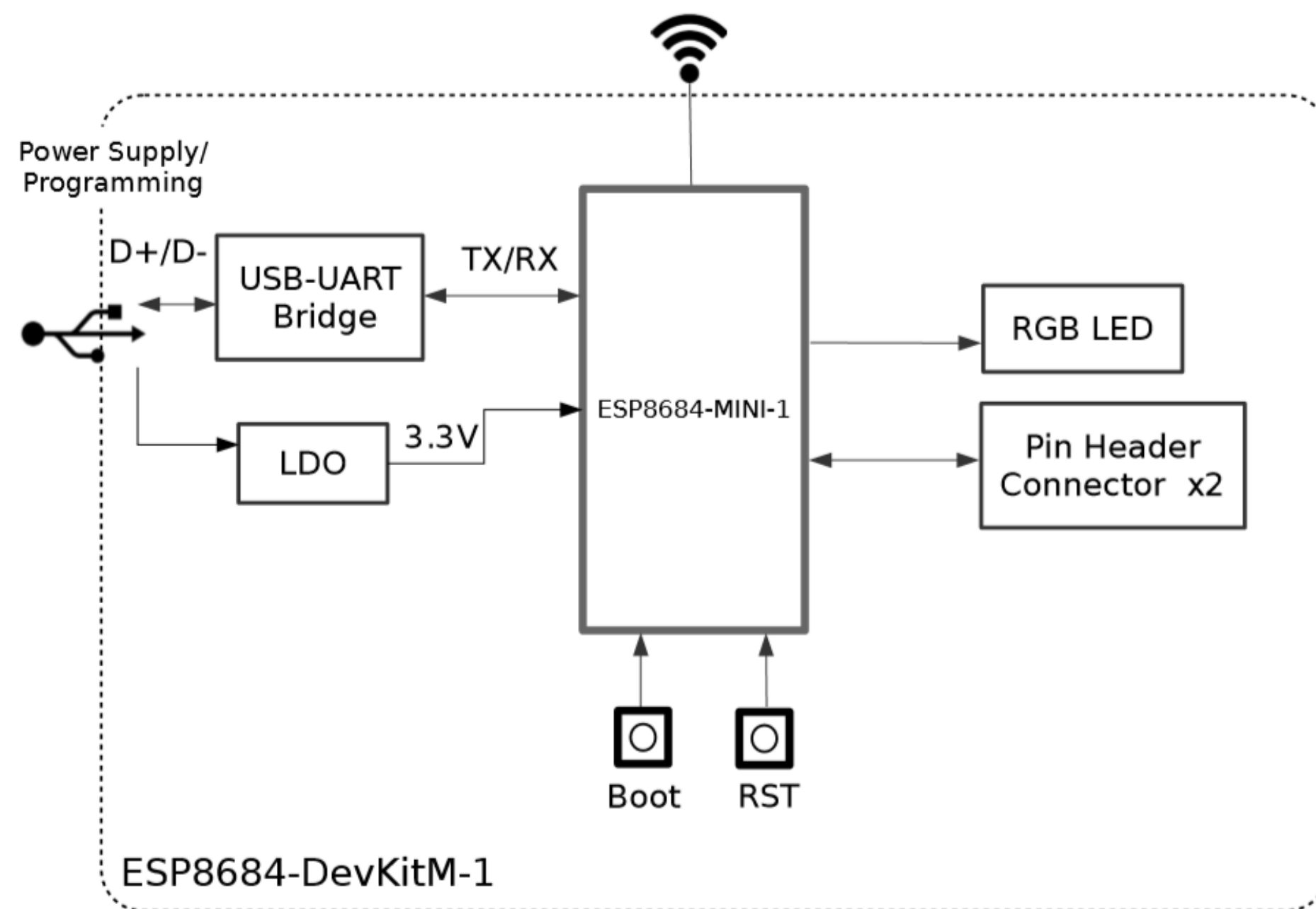
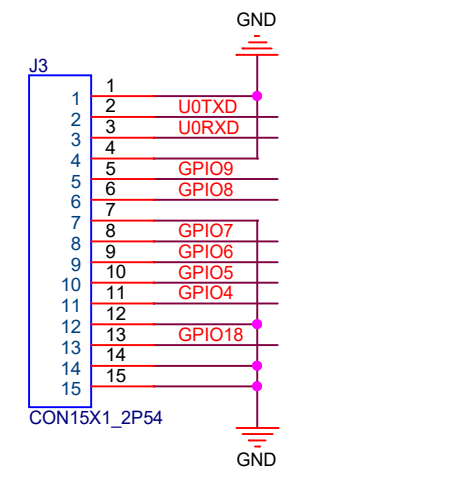
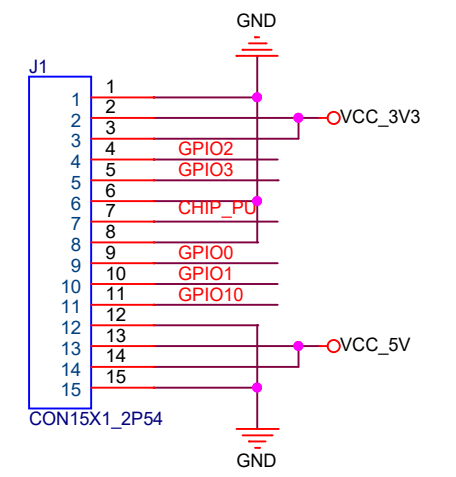
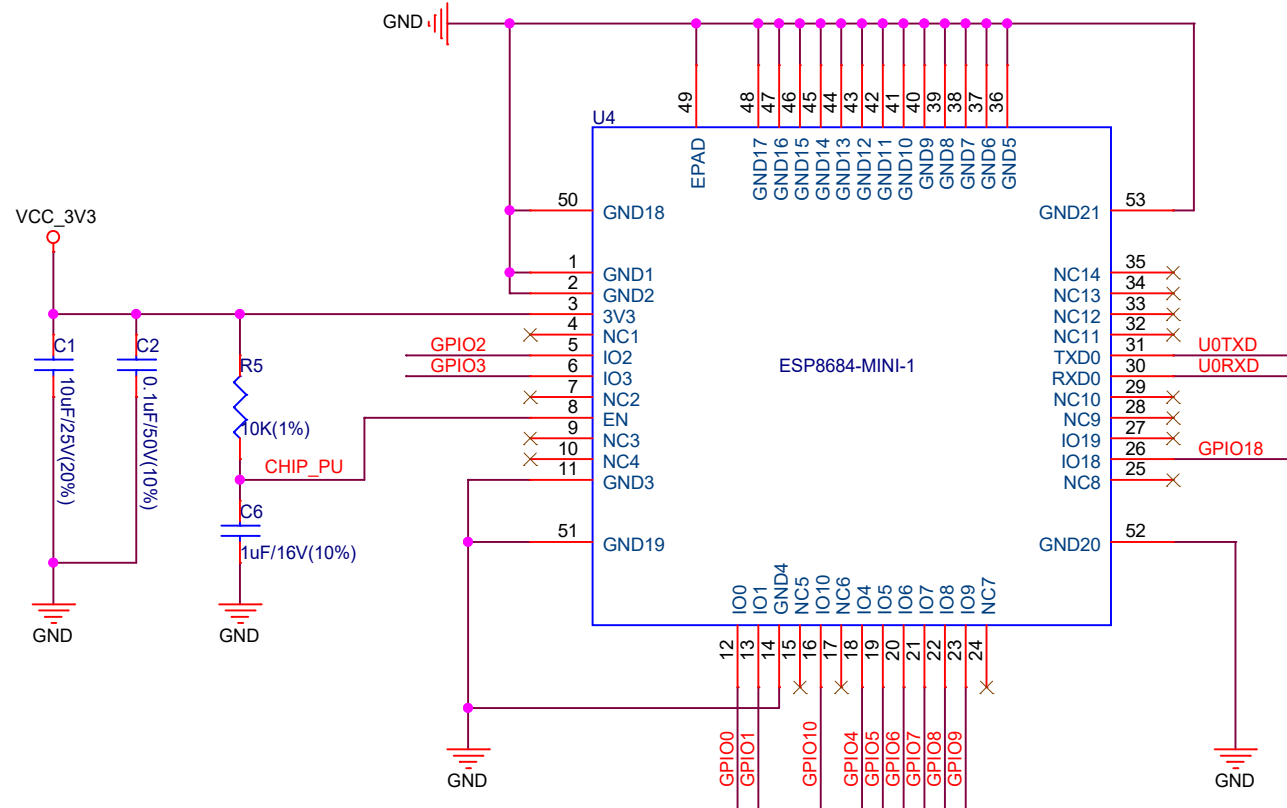
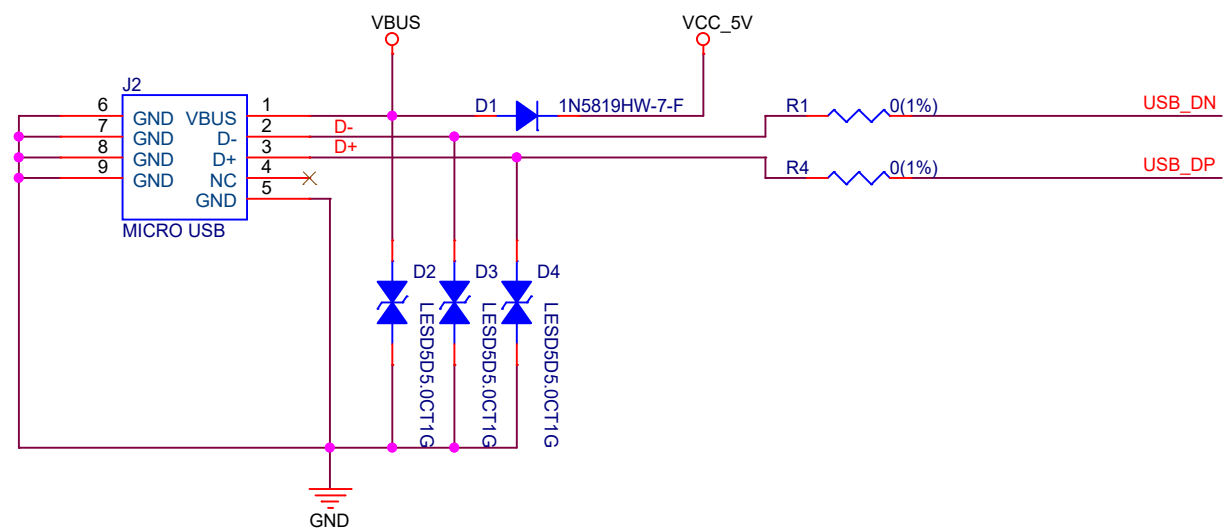


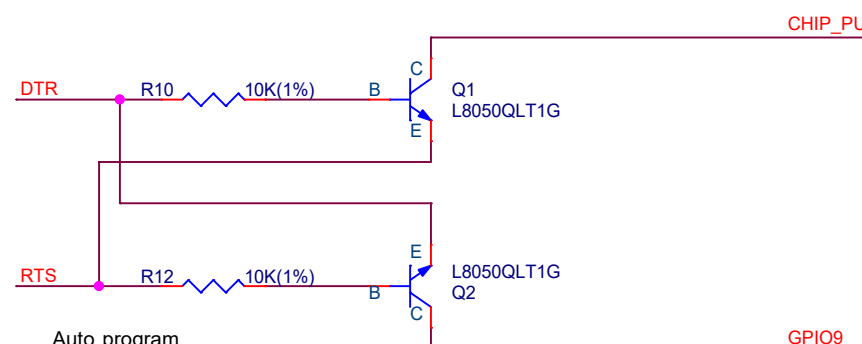
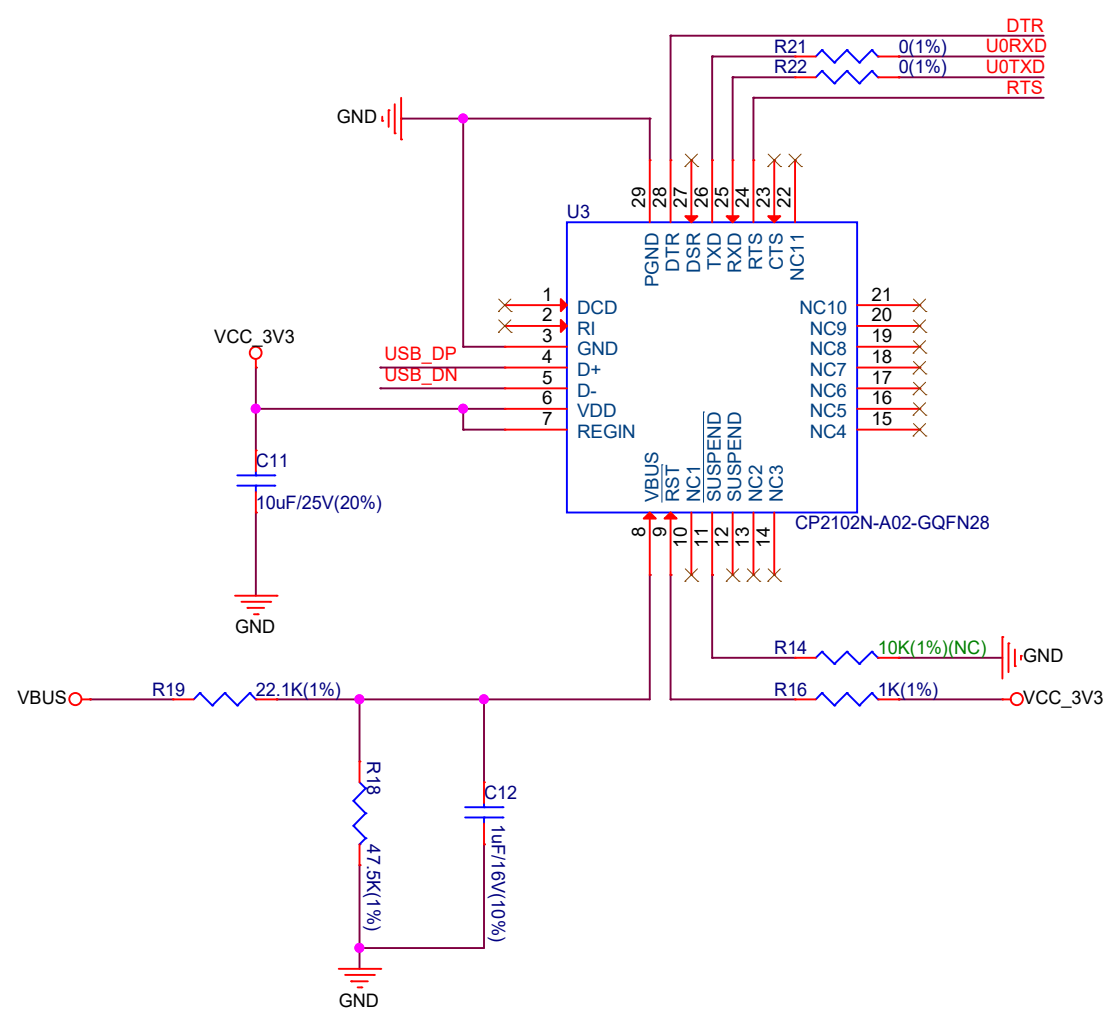
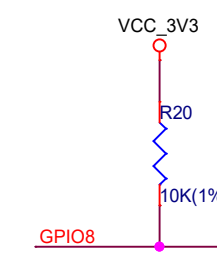
System Block:





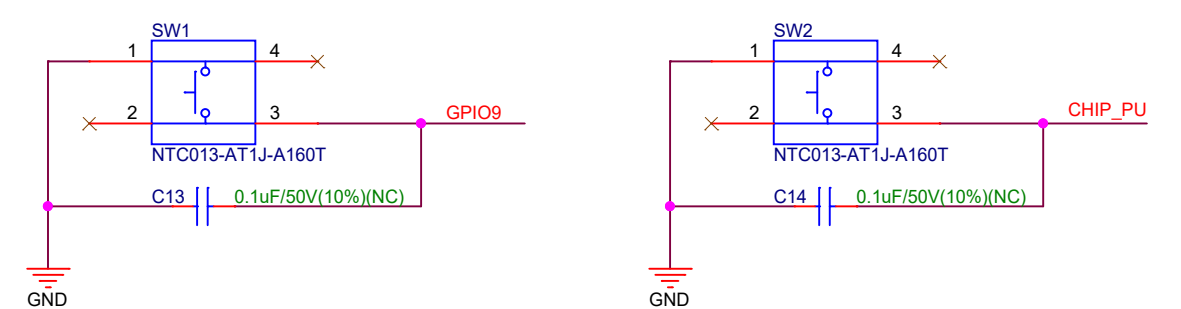
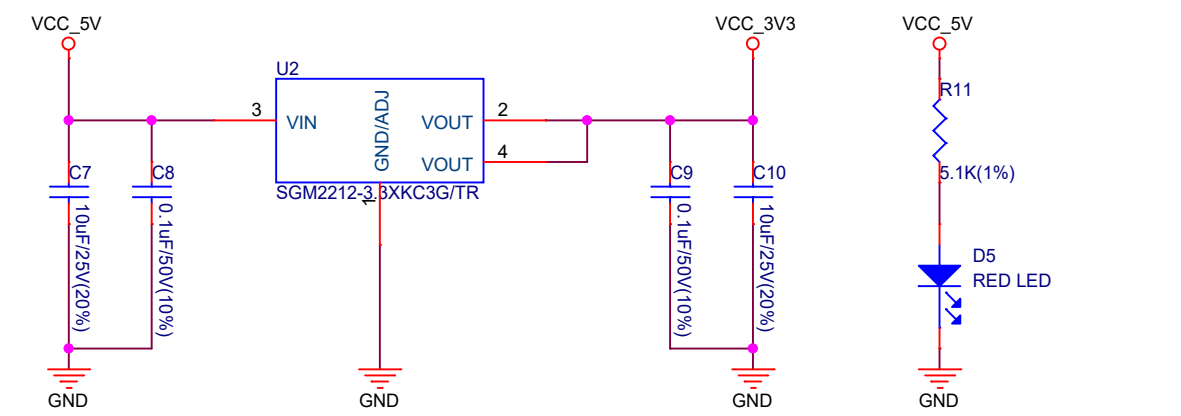
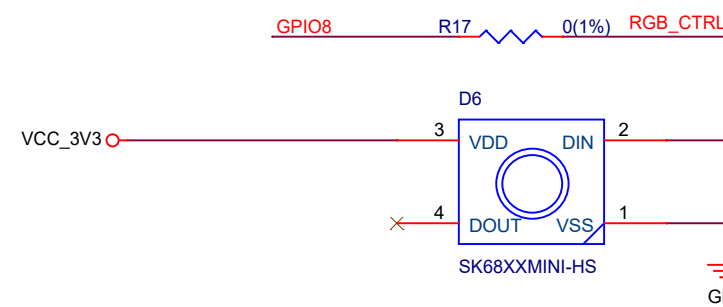
ESP8684 BootMode:

boot_sel[1:0]	BootMode
1x	SPI Boot Mode
01	Download Mode
boot_sel[1]	GPIO9
boot_sel[0]	GPIO8



Auto program

DTR	RTS-->EN	IO9
1	1	1
0	0	1
1	0	0
0	1	0



ESPRESSIF

乐鑫信息科技(上海)股份有限公司

Title: ESP8684-DevKitM-1

Size: Document Number

C: 02_ESP8684-DevKitM-1

Date: Monday, November 01, 2021

Sheet 2 of 2

Rev V1.0