

Description

E-T-A's ESS31-T electronic circuit breaker is only 12.5mm wide and selectively protects all DC 24 V load circuits, thereby increasing the uptime of machines and systems. This is achieved by a combination of active electronic current limitation in the event of a short circuit and overload disconnection at typically 1.2 times rated current. The ESS31-T responds faster than frequently used DC 24 V switch mode power supplies without tripping fast and thus prevents disastrous voltage dips of the supply. The ESS31-T is track-mountable and provides ease of installation for groups of devices with several circuits.

It works with a single trip curve for all loads. Even capacitive loads up to 40,000 µF can be handled very easily. Fixed current ratings from 0.5 A to 12 A are available. The integral fail-safe element (fuse) is adjusted to the circuit breaker's rated current and can thus very easily be synchronised with the wired cable cross section. This makes planning much easier.

Due to the approval to UL1077 "Supplementary Protector" and the UL Listed approval to UL60947/UL508, these circuit breakers can also be used in applications to UL 508A "Industrial Control Panels" without any problems and are also suitable for "field wiring". In addition, the integral physical isolation offers even more safety, because a circuit breaker in the OFF condition is really switched OFF.



ESS31-T

Features

- Track-mountable
- Wiring via supply busbars LINE+ and 0 V
- Physical isolation in the event of a failure
- Active linear current limitation
- Capacitive loads up to 40,000 µF
- Fixed current ratings 0.5 A...12 A
- Approvals: UL, NEC Class 2, VDE

Your benefits

- Fit for global use: approved to EN/IEC60934 (VDE) and UL1077 (Supplementary Protector), UL 1310 (NEC Class 2)
- Provides ease of maintenance and trouble-shooting, because physical isolation of contacts ensures genuine disconnection of load circuits
- Simplifies planning due to active current limitation as a clear planning factor
- Saves costs and time through fast and flexible mounting including integral power distribution solution

Preferred types – for more details on all configurations please see order numbering code

Preferred types are E-T-A products most frequently used by E-T-A customers. We manufacture E-T-A preferred types in particularly high

volumes. Our preferred types are supplied at shorter lead times than non-standard versions.

Preferred types	Preferred ratings (A)													
	0.5	1	2	3.6	3	4	6	8	10	12	2 (CL2)	3 (CL2)	3,6 (CL2)	
ESS31-TC														
ESS31-TC-001-DC24V	x	x	x		x	x	x	x	x	x			x	

Approvals



Information online

For access to the latest documents please follow: www.e-t-a.de/d354

Compliances



Technical data ($T_{amb} = 25\text{ °C}$, $U_B = DC - 24\text{ V}$)

Operating data

Operating voltage U_B	DC 24 V (18...30 V)
Current ratings I_N	fixed rating: Types ESS31-TC-...: 0.5 A, 1 A, 2 A, 3 A, 3.6 A, 4 A, 6 A, 8 A, 10 A, 12 A
Standby current I_0 depending on the signal output	in ON condition: typically 8 mA
Trip current (bimetal)	typically 0.4 A (only in the event of a failure, until physical disconnection)
Visual status indication	<ul style="list-style-type: none"> ● multicoloured LED: <ul style="list-style-type: none"> Green: <ul style="list-style-type: none"> - device is ON (S1 = ON) load circuit connected Orange: <ul style="list-style-type: none"> - overload or short circuit until electronic disconnection Red: <ul style="list-style-type: none"> - device switched OFF electronically load circuit OFF - undervoltage ($U_B < 8\text{ V}$) OFF: <ul style="list-style-type: none"> - manually OFF (S1 = OFF) load circuit physically isolated or device is dead-voltage ● Potential-free signal contact ● On/off position of the switch S1

Load circuit

Load output	power MOSFET switching output (plus switching)
Overload and short circuit disconnection	typically $1.2 \times I_N$ with active current limitation
Trip times for electronic disconnection	see time/current characteristic overload trip time typically 500 ms short circuit trip time depending on current rating (see table 1)
for physical isolation	typically 5 s
Temperature disconnection	internal temperature monitoring with physical isolation
Undervoltage monitoring of load output	with hysteresis, no reset required: »OFF« at $U_B < 14\text{ V}$ »ON« at $U_B > 17\text{ V}$
Switch-on delay t_{Start}	typically 2 ms after each ON operation, reset and after applying of U_B
Capacitive loads	up to 40,000 μF
Free-wheeling diode	external free-wheeling diode recommended for inductive load

Technical data ($T_{amb} = 25\text{ °C}$, $U_B = DC - 24\text{ V}$)

Parallel connection of several load outputs	not allowed
Signal output	ESS31-TC-001/-002
Electrical data	potential-free auxiliary contact max. DC 30 V / 2 A min. DC 12 V / 10 mA
Standard condition LED green overload,	U_B is applied and switch S1 is ON and no short circuit
OFF condition LED off	device switched off (switch S1 is OFF) load circuit physically isolated no operating voltage U_B
Fault condition LED orange	overload conditions > 1.2 times rated current until electronic disconnection
Fault condition LED red	electronic disconnection upon overload, short circuit or undervoltage
ESS31-TC-001	single signal, make contact contact open, terminal 13-14
ESS31-TC-002	single signal, break contact contact closed, terminal 11-12
General data	
Fault-safe element	back-up fuse for ESS31-T.. <u>not required</u> due to integral redundant fail-safe ele- ment (protective element)
Terminals	LINE+ / LOAD+ / 0V
- Screw terminals max. cable cross section	M4
- flexible with wire end ferrule w/wo plastic sleeve	0.5 – 10 mm ²
- multi-lead connection (2 identical cables)	
rigid / flexible	0.5 – 4 mm ²
- flexible with wire end ferrule without plastic sleeve	0.5 – 2.5 mm ²
- flexible with TWIN wire end ferrule	
with plastic sleeve	0.5 – 6 mm ²
- wire stripping length	10 mm
- tightening torque (EN 60934)	1.5 – 1.8 Nm
Terminals	aux. contacts
- Screw terminals	M3
- max. cable cross section	
- flexible with wire end ferrule w/wo plastic sleeve	0.25 – 2.5 mm ²
- wire stripping length	8 mm
- tightening torque (EN 60934)	0.5 – 0.6 Nm
Housing material	moulded
Mounting	Tragschiene nach EN 60715-35x7.5
Ambient temperature	0...+50 °C (without condensation, cf. EN 60204-1)
Storage temperature	-20...+70 °C
Humidity	96 hrs / 95% RH 40 °C to IEC 60068-2-78-Cab climate class 3K3 to EN 60721
Vibration	3 g test to IEC 60068-2-6, test Fc ,
Protection class	housing IP20 EN 60529 terminals IP20 EN 60529
EMC requirements	emission: EN 61000-6-3 (EMC directive, CE logo) susceptibility: EN 61000-6-2
Insulation co-ordination (IEC 60934)	0.5 kV / pollution degree 2 reinforced insulation in operating area
Dielectric strength	max. DC 30 V (load circuit)
Insulation resistance (OFF condition)	$> 100\text{ M}\Omega$ (DC 500 V) between LINE (+) and LOAD (+)
Conformity	CE marking
Dimensions (w x h x d)	12.5 x 80 x 83 mm (tolerances to DIN ISO 286 part 1 IT13)
Mass	approx. 70 g

Preferred types

Preferred types are E-T-A products most frequently used by E-T-A customers. We manufacture E-T-A preferred types in particularly high

volumes. Our preferred types are supplied at shorter lead times than non-standard versions.

Preferred types	Preferred ratings (A)													
	0.5	1	2	3.6	3	4	6	8	10	12	2 (CL2)	3 (CL2)	3,6 (CL2)	
ESS31-TC														
ESS31-TC-001-DC24V	x	x	x		x	x	x	x	x	x			x	

Order numbering code

Type No.	
ESS31	Electronic Circuit Breaker, with current limitation
TC	Mounting rail mounting, with auxiliary contact
0	Version with physical isolation in the event of a failure
1	Signal input without signal input
2	Signal output 1 auxiliary make contact (min. 12 V/10 mA; max. 30 V/2 A) 2 auxiliary break contact (min. 12 V/10 mA; max. 30 V/2 A)
DC 24 V	Operating voltage voltage rating DC 24 V
0.5 A	Current rating 0.5 A (Class 2)
1 A	1 A (Class 2)
2 A	2 A
3 A	3 A
3.6 A	3.6 A
4 A	4 A
6 A	6 A
8 A	8 A
10 A	10 A
12 A	12 A
CL2	Approvals Class 2 (only 2 A, 3 A and 3.6 A types)
ESS31 - TC - 0 0 1 - DC 24 V - 3,6 A - CL2	ordering example 1
ESS31 - TC - 0 0 1 - DC 24 V - 12 A	ordering example 2

Application note

- The user has to ensure that the cable cross section of the load circuit in question complies with the current rating of the ESS31-T used.
- In addition special precautions must be taken in the system or machine (e.g. use of a safety PLC) which reliably prevent an automatic re-start of parts of the system (cf. Machinery Directive 2006/42/EG and EN 60204-1, Safety of Machinery). In the event of a failure (short circuit/overload) the load circuit will be disconnected electronically with physical isolation of the contacts by the ESS31-T.

Custom designed versions

Looking for a version you cannot find in our ordering number code? Please get in touch. We will be pleased to find a solution for you.

Table 1: Voltage drop, current limitation, trip times, fail-safe element, max. load current

current rating I_N	typical voltage drop U_{ON} at I_N	active current limitation typically	trip time I_{SC} typically 1)	trip time I_{OL} typically 2)	fail-safe element	max. load current at 100 % ON duty	
						$T_{AMB} = 40$ °C	$T_{AMB} = 50$ °C
0.5 A	90 mV	$1.2 \times I_N$	500 ms	500 ms	2 A	0.5 A	0.5 A
1 A	100 mV	$1.2 \times I_N$	500 ms	500 ms	2 A	1 A	1 A
2 A	110 mV	$1.2 \times I_N$	500 ms	500 ms	4 A	2 A	2 A
2 A CL2	130 mV	$1.2 \times I_N$	500 ms	500 ms	4 A	2 A	2 A
3 A	150 mV	$1.2 \times I_N$	500 ms	500 ms	6.3 A	3 A	3 A
3 A CL2	200 mV	$1.2 \times I_N$	500 ms	500 ms	4 A	3 A	3 A
3.6 A	155 mV	$1.2 \times I_N$	350 ms	500 ms	6.3 A	3.6 A	3.6 A
3.6 A CL2	250 mV	$1.05 \times I_N$	450 ms	500 ms	4 A	3.6 A	3.6 A
4 A	160 mV	$1.2 \times I_N$	280 ms	500 ms	6.3 A	4 A	4 A
6 A	170 mV	$1.2 \times I_N$	150 ms	500 ms	10 A	6 A	5 A
8 A	190 mV	$1.2 \times I_N$	280 ms	500 ms	15 A	8 A	7 A
10 A	210 mV	$1.2 \times I_N$	200 ms	500 ms	15 A	10 A	9 A
12 A	220 mV	$1.2 \times I_N$	110 ms	500 ms	20 A	12 A	10.8 A

Note: When mounted side-by-side without convection the devices can only carry max. 80 % of their rated current continuously (100 % ON duty) due to thermal effect.

1) short circuit
2) overload

Effect of the ambient temperature on the tripping characteristics

ambient temperature T [°C]	0	+10	+23	+30	+40	+50
temperature factor	0.88	0.93	1.0	1.04	1.12	1.22

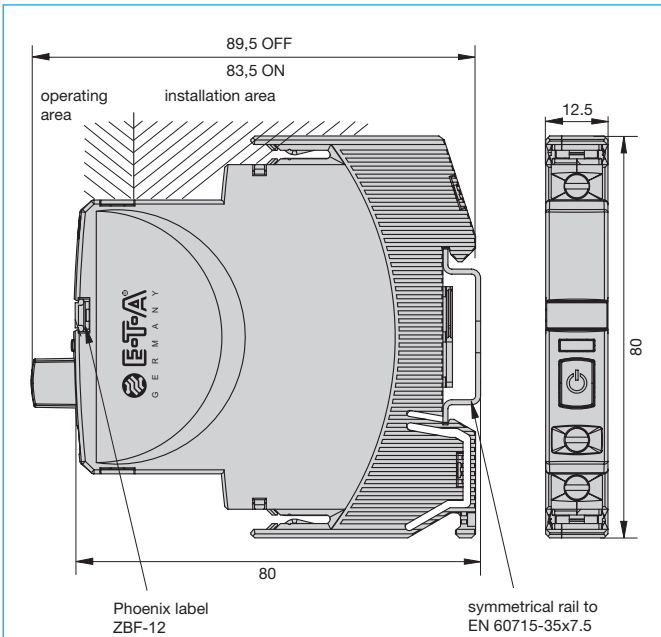
Table 2: ESS31-T.. - versions

Version		Signal input			Signal output:					
					Signal output F (signal contact)			Status output SF		
		without	control input ON/OFF +24 V Control IN+	reset input +24 V ↓ RE	without	single signal make contact (normally open NO)	single signal break contact (normally closed NC)	without	status OUT +24 V = OK	status OUT 0 V = OK
-TC	-001	X				X		X		
-TC	-002	X					X	X		

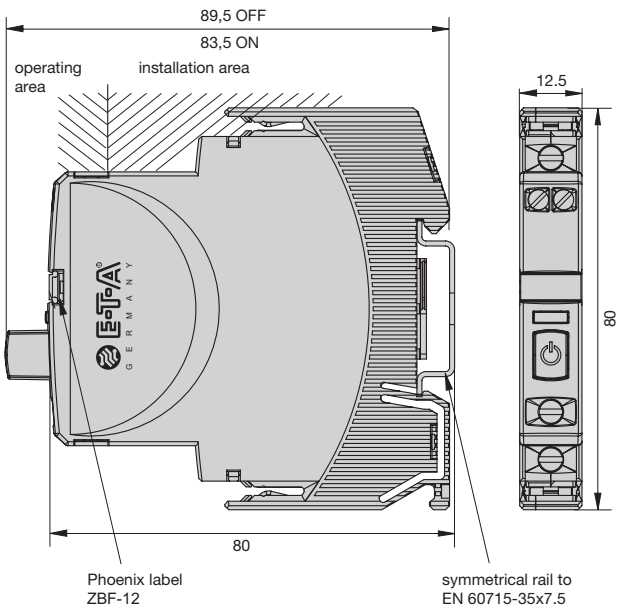
Approvals ESS31-T

Approval authority	Standard	File-Certificate Nr.	Voltage rating	Current rating range
UL	UL 2367	E306740	DC 24 V	0.5 A...12 A
UL	UL 1310 NEC Class2	E306740	DC 24 V	0.5 , 1 A, 2 A, 3 A, 3.6 A
UL	UL 1077 C22.2 No. 235-04	E67320	DC 24 V	0.5 A...12 A
UL	cULuslisted UL 60947-4-1	E362760	DC 24 V	0.5 A...12 A
VDE	IEC/EN 60934 (VDE 0652)	40039681	DC 24 V	0.5 A...12 A

Dimensions of the ESS31-T

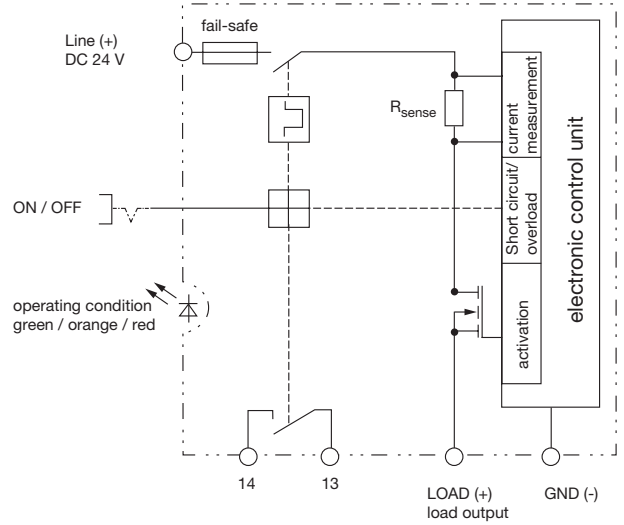


Type-TC

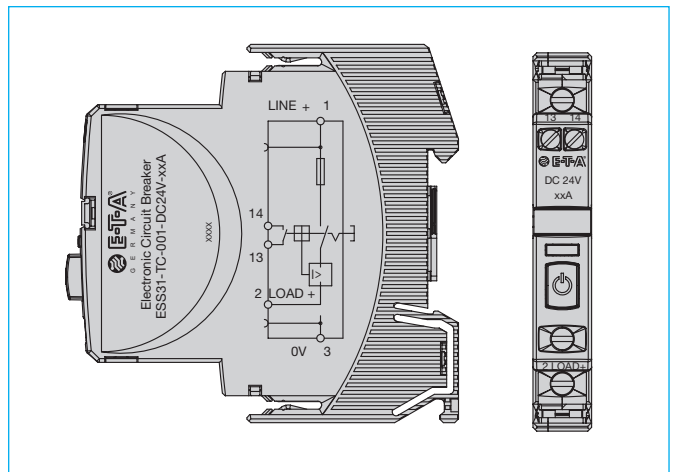


Schematic diagram ESS31-T

Example ESS31-TC-001



Wiring diagram ESS31-TC-001-... (Example)

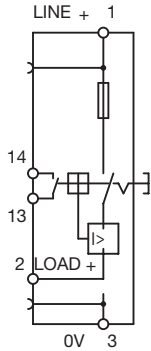


ESS31-T Signal inputs / outputs (wiring diagrams)

The auxiliary contacts are shown in OFF or fault condition

ESS31-TC-001-.....

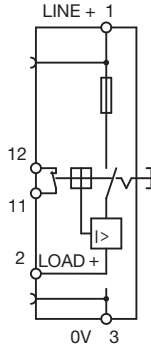
without signal input
with signal output f
single signal, make contact



operating condition
13-14 closed
fault condition
13-14 open

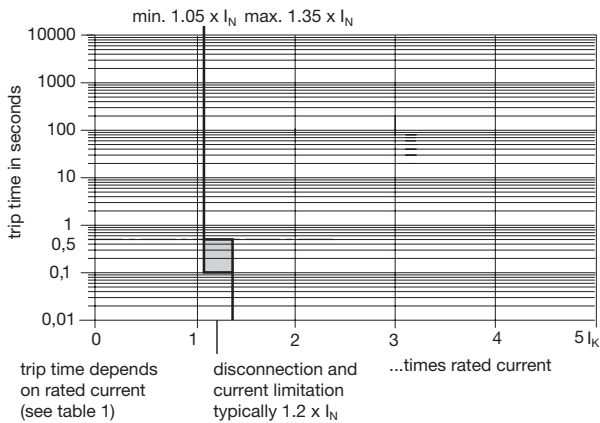
ESS31-TC-002-.....

without signal input
with signal output f
single signal, break contact



operating condition
11-12 open
fault condition
11-12 closed

Typical time/current characteristic ($T_{amb} = 25\text{ }^{\circ}\text{C}$)

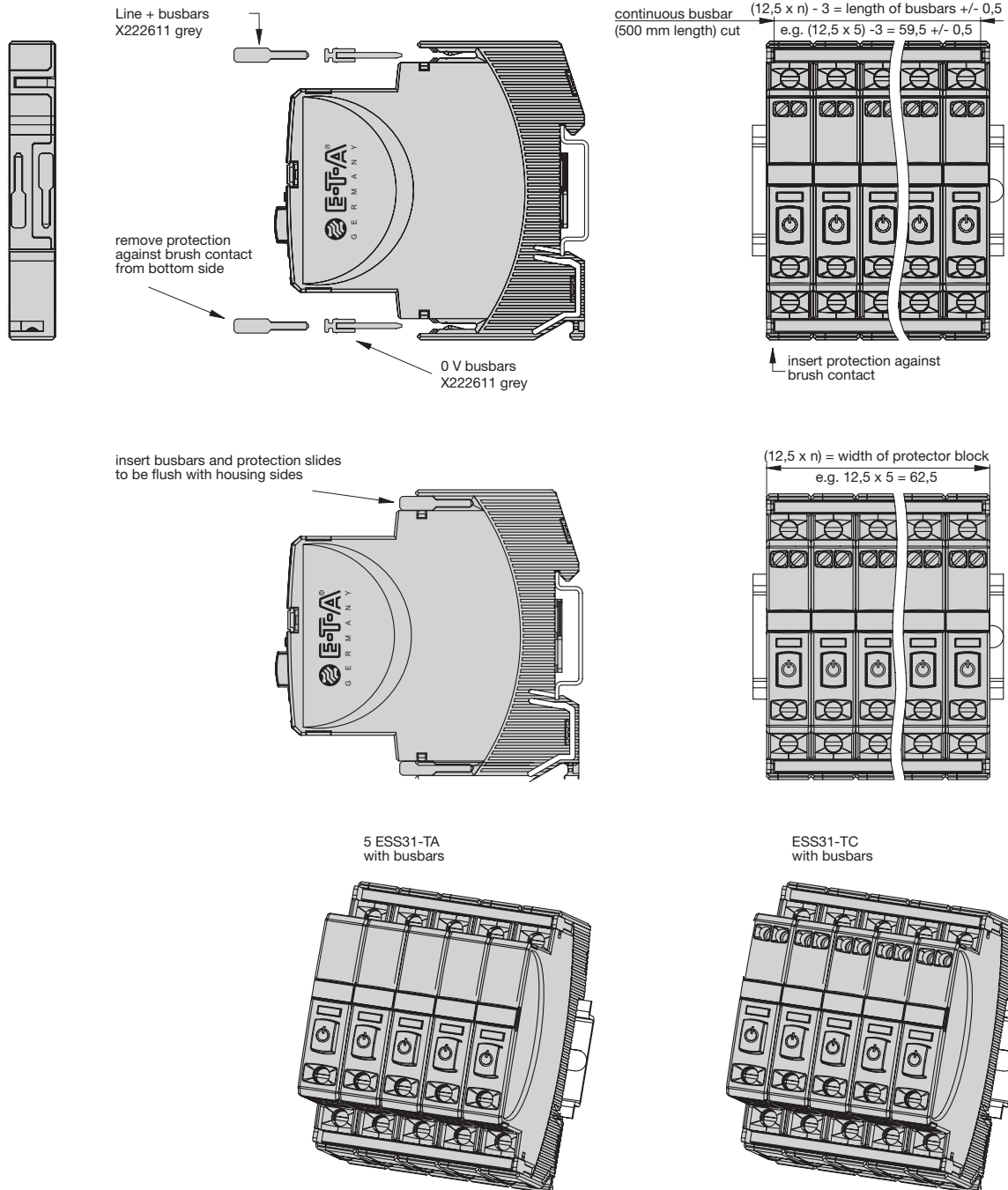


- The overload trip time is typically 500 ms (e.g. ESS31-T-...-6 A)
- **The electronic current limitation typically begins in at $1.2 \times I_N$**
This means: under all overload conditions (independent of power supply and load circuit resistance) typically 1.2 times rated current is applied until disconnection. The corresponding current limitation value I_{Limit} depends on the current rating of the device I_N .
- Without the current limitation getting into effect at typically $1.2 \times I_N$ there would be a much higher overcurrent in the event of an overload or short circuit.
- Reset of the circuit breaker is only possible approximately 10 sec after tripping.

4

Mounting examples for ESS31-T

The ESS31-T features an integral power distribution system



Description of installation:

With a block of devices the busbars have to be inserted before wiring.
Max. 10 plug-in cycles for busbars allowed.

Recommendation:

The line entry busbars and signal busbars should be interrupted after 10 devices and line entry should start anew.

Table of possible busbar lengths

Number of devices	2	3	4	5	6	7	8	9	10
length of busbar [mm] $\pm 0.5\text{mm}$	22	34.5	47	59.5	72	84.5	97	109.5	122