

## Description

E-T-A's ESX10 electronic circuit protector is only 12.5 mm wide and selectively protects all DC 24 V load circuits, thereby increasing the uptime of machines and systems. This is achieved by a combination of active current limitation in the event of a short circuit and overload disconnection typically from 1.1 times rated current. The ESX10 responds faster than frequently used DC 24 V switch mode power supplies without tripping fast and thus prevents disastrous voltage dips of the supply. It works with a single trip curve for all loads. Even capacitive loads up to 75,000 µF can be handled very easily. The device is available in fixed current ratings from 0.5 A to 12 A and with optional control inputs. The integral fail-safe element (fuse) is adjusted to the circuit protectors rated current and can thus very easily be synchronised with the wired cable cross section. This makes planning much easier.

**US patent number:** US 6,490,141 B2



**ESX10**

## Features

- Plug-in mounting on power distribution modules 17plus, 18plus and SVSxx
- Active linear current limitation
- Capacitive loads up to 75,000 µF
- Fixed current ratings 0.5 A...12 A
- Approvals: UL, CSA, DNV GL
- OPTION: Control inputs, signalling
- OPTION: ATEX and IECEx approval

## Your benefits

- Increases machine uptime through clear failure detection and stable power supply
- Reduces downtimes through quick fault resolution
- Simplifies planning through clear sizes and ratings
- Saves costs and time through fast and flexible plug-in mounting

## Preferred types – for more details on all configurations please see order numbering code

Preferred types are E-T-A products most frequently used by E-T-A customers. We manufacture E-T-A preferred types in particularly high

volumes. Our preferred types are supplied at shorter lead times than non-standard versions.

| Preferred types | Preferred ratings (A) |   |   |   |   |   |    |    |
|-----------------|-----------------------|---|---|---|---|---|----|----|
|                 | 1                     | 2 | 3 | 4 | 6 | 8 | 10 | 12 |
| ESX10           |                       |   |   |   |   |   |    |    |
| ESX10-103-DC24V | x                     | x | x | x | x | x | x  | x  |

## Approvals



## Information online

The current data sheet is available on our website:  
[www.e-t-a.de/d355](http://www.e-t-a.de/d355)

## Compliances



## Technical data ( $T_{\text{ambient}} = 25\text{ }^{\circ}\text{C}$ , operating voltage $U_S = \text{DC } 24\text{ V}$ )

### Operating data

|                               |   |
|-------------------------------|---|
| Operating voltage $U_S$       | DC 24 V (18...32 V)   |
| Current rating $I_N$          | fixed current ratings: 0.5 A, 1 A, 2 A, 3 A, 4 A, 6 A, 8 A, 10 A, 12 A  |
| Closed current $I_0$          | ON condition: typically 20...30 mA depending on signal output   |
| Status indication by means of | <ul style="list-style-type: none"> <li>● multicolour LED:</li> <li><b>GREEN:</b><br/>unit is ON, power-MOSFET is switched on<br/>- status output SF ON, supplies +DC 24 V</li> <li><b>ORANGE:</b><br/>in the event of overload or short circuit until electronic disconnection</li> <li><b>RED:</b><br/>- unit electronically disconnected<br/>- load circuit/Power-MOSFET OFF</li> <li><b>OFF:</b><br/>- manually switched off (S1 = OFF) or device is dead<br/>- undervoltage (<math>U_S &lt; 8\text{ V}</math>)<br/>- after switch-on till the end of the delay period</li> <li>● status output SF (option)</li> <li>● potential-free signal contact F (option)</li> <li>● ON/OFF/ condition of switch S1</li> </ul> |

### Load circuit

|  |  |
|--|--|
| Load output                            | Power-MOSFET switching output (high side switch)   |
| Overload disconnection                 | typically $1.1 \times I_N$ (1.05...1.35 $\times I_N$ )   |
| Short-circuit current $I_k$            | active current limitation (see table 1)  |
| Trip time for electronic disconnection | see time/current characteristics<br>typically 3 s at $I_{\text{load}} > 1.1 \times I_N$<br>typically 3 s...100 ms at $I_{\text{load}} > 1.8 \times I_N$<br>(or $1.5 \times I_N/1.3 \times I_N$ ) |
| Temperature disconnection              | internal temperature monitoring with electronic disconnection  |
| Low voltage monitoring load output     | with hysteresis, no reset necessary<br>load "OFF" at $U_S < 8\text{ V}$  |
| Starting delay $t_{\text{start}}$      | typically 0.5 sec after every switch-on and after applying $U_S$   |
| Disconnection of load circuit          | electronic disconnection   |
| Free-wheeling circuit                  | external free-wheeling diode recommended with inductive load   |

Several load outputs must not be connected in parallel

### Status output SF ESX10-104/-124

|                                |  |
|--------------------------------|--|
| Electrical data                | plus-switching signal output, connects $U_S$ to terminal 12 of module 17plus nominal data: DC 24 V / max. 0.2 A (short circuit proof)<br>status output is internally connected to GND with a 10 kOhm resistor  |
| Status OUT                     | ESX10-104/-106/ -124 (signal status OUT), at $U_S = +24\text{ V}$<br>+24 V = S1 is ON, load output connected through 0V = S1 is ON, load output blocked and/or switch S1 is OFF  |
| Status $\overline{\text{OUT}}$ | ESX10-127 (signal status OUT inverted), at $U_S = +24\text{ V}$<br>+24 V = S1 is ON, load output blocked, red LED lighted<br>0 V = S1 is ON, load output connected through and/or switch S1 is in OFF position   |
| OFF condition                  | 0 V level at status output when: <ul style="list-style-type: none"> <li>● switch S1 is in ON position, but device is still in switch-on delay</li> <li>● switch S1 is OFF, or control signal OFF, device is switched off</li> <li>● no operating voltage <math>U_S</math></li> </ul> |

## Technical data ( $T_{\text{ambient}} = 25\text{ }^{\circ}\text{C}$ , operating voltage $U_S = \text{DC } 24\text{ V}$ )

### Signal output F ESX10-103/-115/-125

|                            |  |
|----------------------------|--|
| Electrical data            | potential-free signal contact<br>max. DC 30 V/0.5 A, min. 10 V/10 mA   |
| ON condition LED green     | voltage $U_S$ applied, switch S1 is in ON position<br>no overload, no short circuit  |
| OFF condition LED off      | <ul style="list-style-type: none"> <li>● device switched off (switch S1 is in OFF position)</li> <li>● no voltage <math>U_S</math> applied</li> </ul>  |
| Fault condition LED orange | overload condition $> 1.1 \times I_N$ up to electronic disconnection   |
| Fault condition LED red    | electronic disconnection upon overload or short circuit<br>device switched off with control signal (switch S1 is in ON position)   |
| ESX10-101                  | single signal, make contact<br>contact SC/SO-SI open   |
| ESX10-102                  | single signal, break contact<br>contact SC/SO-SI closed  |
| ESX10-103                  | group signal change-over contact<br>contact SC-SO open, SC-SI closed   |
| ESX10-115/-125             | group signal, make contact<br>contact SC-SO open   |
| Fault                      | signal output fault conditions: <ul style="list-style-type: none"> <li>● no operating voltage <math>U_S</math></li> <li>● ON/OFF switch S1 is in OFF position</li> <li>● red LED lighted (electronic disconnection)</li> </ul> |

### Reset input RE ESX10-124/-125

|   |   |
|---|---|
| Electrical data   | voltage: max. + DC 32 V<br>high $> \text{DC } 8\text{ V} \leq \text{DC } 32\text{ V}$<br>low $\leq \text{DC } 3\text{ V} > 0\text{ V}$<br>power consumption typically 2.6 mA (+DC 24 V)<br>min. pulse duration typically 10 ms  |
| Reset signal RE (= terminal 13,14 or 12 of Module 17plus) | The electronically blocked ESX10-124/-127 may remotely be reset via an external momentary switch due to the falling edge of a +24 V pulse.<br>The reset signal will be fed in terminal 13, 14 or 12 of Module 17plus and is internally pre-wired.<br>The reset simultaneously affects all blocked ESX10-124/-127 channels of the power distribution system, all switched on ESX10-124/-127 channels remain unaffected. With type ESX10-125 the reset only affects the device concerned. By connecting the individual terminals 12 of the Module 17plus a joint reset signal for all ESX10-125 may be generated. |
| Caution: unused slots have to be fitted with jumpers      |   |

### Control input IN+ ESX10-115

|                    |  |
|--------------------|--|
| Electrical data    | see reset input RE   |
| Control signal IN+ | +24 V level (HIGH): device will be switched on by a remote ON/OFF signal<br>0 V level (LOW): device will be switched off by a remote ON/OFF signal |
| Switch S1 ON/OFF   | unit can only be switched on with S1 if a HIGH level is applied to IN+   |

### General data

|                    |  |
|--------------------|--|
| Fail-safe element: | backup fuse for ESX10 <u>not required</u> because of the integral redundant fail-safe element          |
| Blade terminals    | 6.3 mm to EN 60934-A6.3-0.8  |
| Housing            | moulded  |
| Mounting           | plug-in mounting utilising power distribution system Module 17plus or Module 18plus (optionally SVSxx) |

## Technical data (T<sub>ambient</sub> = 25°C, operating voltage U<sub>G</sub> = DC 24 V)

|                              |   |
|------------------------------|---|
| Ambient temperature          | 0...+50 °C<br>(without condensation, see EN 60204-1)                            |
| Storage temperature          | -40...+70 °C  |
| Humidity                     | 96 hrs/95 % RH/40 °C to IEC 60068-2-78, test Cab. climate class 3K3 to EN 60721 |
| Vibration                    | 3 g, test to IEC 60068-2-6 test Fc  |
| Degree of protection         | IEC 60529, DIN VDE 0470 operating area IP30, terminal area IP00                 |
| EMC (EMC directive, CE logo) | emission: EN 61000-6-3<br>susceptibility: EN 61000-6-2                          |

## Technical data (T<sub>ambient</sub> = 25°C, operating voltage U<sub>G</sub> = DC 24 V)

|                                       |   |
|---------------------------------------|---|
| Insulation co-ordination (IEC 60934)  | 0.5 kV/2 pollution degree 2 re-reinforced insulation in operating area                    |
| Dielectric strength                   | max. DC 32 V (load circuit)   |
| Insulation resistance (OFF condition) | n/a, only electronic disconnection  |
| Approvals                             | to directive 2014/30/EU, 2011/65/EU ESX10-1...-E additionally directive 2014/34/EU (ATEX) |
| Dimensions (W x H x D)                | 12.5 x 70 x 60 mm (tolerances to DIN ISO 286 part 1 IT13)                                 |
| Mass                                  | approx. 40 g  |

## Preferred types

| Preferred types | Preferred ratings (A) |   |   |   |   |   |    |    |
|-----------------|-----------------------|---|---|---|---|---|----|----|
| ESX10           | 1                     | 2 | 3 | 4 | 6 | 8 | 10 | 12 |
| ESX10-103-DC24V | x                     | x | x | x | x | x | x  | x  |

## Ordering information

### Type No.

**ESX10** Electronic Circuit Protector for DC 24 V applications

### Version

**1** standard, without physical isolation in the event of a failure

### Signal input

**0** without signal input

**1** with control input IN+, only ESX10-115

**2** with reset input RE, only ESX10-124

### Signal outputs

**0** without, only ESX10-100

**3** signal output F (group signal, change-over) only ESX10-103

**4** status output SF (+24 V = OK), only ESX10-104, ESX10-124

**5** signal output F (group signal, N/O) only ESX10-115 and ESX10-125)

### Operating voltage

**DC 24 V** rated voltage DC 24 V

### Current rating

**0.5 A**

**1 A**

**2 A**

**3 A**

**4 A**

**6 A**

**8 A**

**10 A**

**12 A**

### Approvals (optional)

**E** ATEX / IECEx

ESX10 - 1 0 3 - DC 24 V - 6 A ordering example

ESX10 - 1 0 3 - DC 24 V - 2 A - E ordering example (ATEX)

## Custom designed versions

Looking for a version you cannot find in our ordering number code? Please get in touch. We will be pleased to find a solution for you.

## Application note

- The user has to ensure that the cable cross section of the load circuit in question complies with the current rating of the ESX10 used.
- In addition special precautions must be taken in the system or machine (e.g. use of a safety PLC) which reliably prevent an automatic re-start of parts of the system (cf. Machinery Directive 2006/42/EG and EN 60204-1, Safety of Machinery). In the event of a failure (short circuit/overload) the load circuit will be disconnected electronically with physical isolation of the contacts by the ESX10.

## Approvals

| Authority      | Standard   | File certificate no. | Voltage ratings | Current ratings |
|----------------|--|----------------------|-----------------|-----------------|
| UL             | UL 2367  | E306740              | DC 24 V         | 0.5...12 A      |
| UL             | UL 121201 (Class I, Division 2, Groups A, B, C, D)                                     | E320024              | DC 24 V         | 0.5...12 A      |
| UL             | UL 508<br>CSA C22.2 No. 14   | E322549              | DC 24 V         | 0.5...12 A      |
| CSA            | C22.2 No. 213 (Class I, Division 2 Groups A, B, C, D)                                  | 016186               | DC 24 V         | 0.5...12 A      |
| DNV GL         | CG-0339 (classes: temperature: B; humidity, vibration, EMC: A)                         | TAE000025Y           | DC 24 V         | 0.5...12 A      |
| Bureau Veritas | ATEX (EU additionally directive 2014/34/EU)<br>EN 60079-0<br>EN 60079-7<br>EN 60079-15 | EPS 18 ATEX 1 127 X  | DC 24 V         | 0.5...12 A      |
| IECEX          | IEC 60079-0<br>IEC 60079-7<br>IEC 60079-15   | IECEX EPS 18.0059X   | DC 24 V         | 0.5...12 A      |

## Information on UL approvals/CSA approvals



ESX10  
UL2367  
Solid State Overcurrent Protectors  
UL File # E306740

UL 121201 (Hazardous Locations Class I, Division 2, Group A, B, C, D)  
UL File # E320024



ESX10  
UL 508, CSA C22.2 No. 14  
Auxiliary Devices -Industrial Control Equipment  
UL File # E322549



ESX10  
CSA C22.2 No: 14  
CSA C22.2 No. 213 (Hazardous Locations Class I, Division 2, Group A, B, C, D) - File # 16186

Operating Temperature Code T4 A / 0 °C to 50 °C

- This equipment is suitable for use in Class I, Division 2, Groups A, B, C and D or non-hazardous locations only

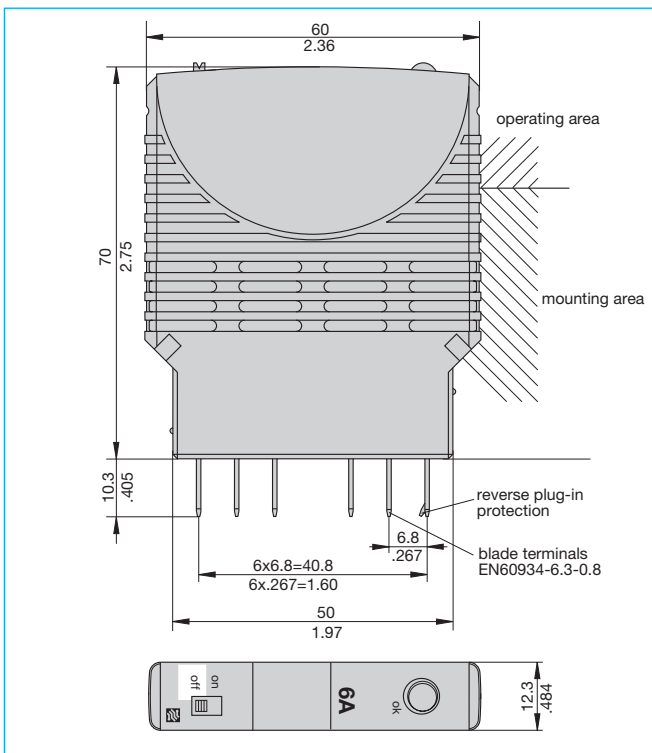
### WARNING – EXPLOSION HAZARD:

- Do not disconnect equipment unless power has been removed or the area is known to be non-hazardous
- When plugged into the E-T-A 18plus power distribution system the max. current rating for the 18plus EM module is 48 A.

This device is OPEN type equipment that must be used within a suitable end-use system enclosure, the interior of which is accessible only through the use of a tool. The suitability of the enclosure is subject to investigation by the local Authority Having Jurisdiction at the time of installation.

Wiring to or from this device, which enters or leaves the system enclosure, must utilize wiring methods suitable for Class , Division 2 Hazardous Locations, as appropriate for the installation.

## Dimensions



This is a metric design and millimeter dimensions take precedence ( $\frac{\text{mm}}{\text{inch}}$ )

Table 1: voltage drop, current limitation, max. load current

| current rating $I_N$ | typical voltage drop $U_{ON}$ at $I_N$ | active current limitation (typically) | max. load current at 100 % ON duty |                      |
|----------------------|--|---------------------------------------|------------------------------------|----------------------|
|                      |  |                                       | $T_U = 40\text{ °C}$               | $T_U = 50\text{ °C}$ |
| 0.5 A                | 70 mV                                  | $1.8 \times I_N$                      | 0.5 A                              | 0.5 A                |
| 1 A                  | 80 mV                                  | $1.8 \times I_N$                      | 1 A                                | 1 A                  |
| 2 A                  | 130 mV                                 | $1.8 \times I_N$                      | 2 A                                | 2 A                  |
| 3 A                  | 80 mV                                  | $1.8 \times I_N$                      | 3 A                                | 3 A                  |
| 4 A                  | 100 mV                                 | $1.8 \times I_N$                      | 4 A                                | 4 A                  |
| 6 A                  | 130 mV                                 | $1.8 \times I_N$                      | 6 A                                | 5 A                  |
| 8 A                  | 120 mV                                 | $1.5 \times I_N$                      | 8 A                                | 7 A                  |
| 10 A                 | 150 mV                                 | $1.5 \times I_N$                      | 10 A                               | 9 A                  |
| 12 A                 | 180 mV                                 | $1.3 \times I_N$                      | 12 A                               | 10.8 A               |

**Attention:** when mounted side-by-side without convection the ESX10-0.. should not carry more than 80 % of its rated load with 100 % ON duty due to thermal effects.

## Time/current characteristic curve ( $T_A = 25\text{ °C}$ )



\*1) current limitation typically  $1.8 \times I_N$  times rated current at  $I_N = 0.5\text{ A}..6\text{ A}$   
 current limitation typically  $1.5 \times I_N$  times rated current at  $I_N = 8\text{ A}$  or  $10\text{ A}$   
 current limitation typically  $1.3 \times I_N$  times rated current at  $I_N = 12\text{ A}$

- The trip time is typically 3 s in the range between  $1.1$  and  $1.8 \times I_N^{*1}$ .
- Electronic current limitation occurs at typically  $1.8 \times I_N^{*1}$  which means that under all overload conditions (independent of the power supply and the resistance of the load circuit) the max. overload before disconnection will not exceed  $1.8 \times I_N^{*1}$  times the current rating. Trip time is between 100 ms (short circuit current  $I_k$ ) and 3 sec (at overload with high line attenuation).
- Without this current limitation a considerably higher overload current would flow in the event of an overload or short circuit.

## Connection and operation elements ESX10-1xx



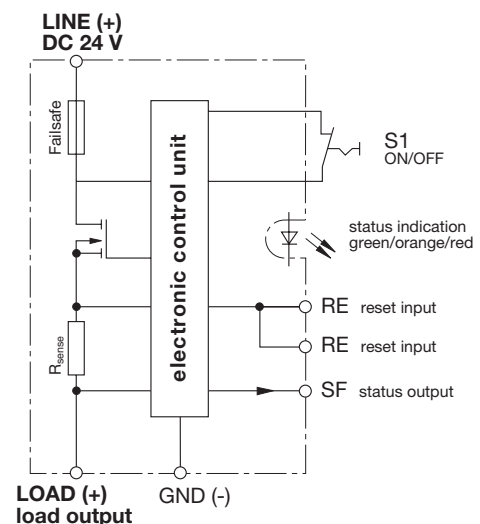
- 1 LINE+
- 2 11 GND
- 3 13 depending on the version
- 4 14 depending on the version
- 5 12 depending on the version
- 6 2 LOAD
- 7 Status LED
- 8 ON/OFF switch

## Terminal wiring diagram ESX10-124



## Schematic diagram ESX10-124

ESX10-124-...



**Table 2: ESX10 - product version**

| version           | signal input                              |                         | signal output       |                             |                          |
|-------------------|---|-------------------------|---------------------|-----------------------------|--------------------------|
|                   |   |                         | signal output F     |                             | status output SF         |
| <b>ESX10 -...</b> | control input ON/OFF<br>+24 V Control IN+ | reset input +24 V<br>RE | group signal<br>N/O | group signal<br>change-over | status OUT<br>+24 V = OK |
| -100              |   |                         |                     |                             |                          |
| -103              |   |                         |                     | x                           |                          |
| -104              |   |                         |                     |                             | x                        |
| -115              | x   |                         | x                   |                             |                          |
| -124              |   | x                       |                     |                             | x                        |
| -125              |   | x                       | x                   |                             |                          |

**Table 3: Reliable trip of ESX10**

| Reliable trip of ESX10 with different cable lengths and cross sections      |   |             |                                |       |       |      |      |
|---|---|-------------|--------------------------------|-------|-------|------|------|
| Resistivity of copper $\rho_0 = 0.0178$ (Ohm x mm <sup>2</sup> ) / m        |   |             |                                |       |       |      |      |
| $U_S = \text{DC } 19.2 \text{ V}$ (= 80 % v. 24 V)                          | voltage drop of ESX10 and tolerance of trip point (typically $1.1 \times I_N = 1.05 \dots 1.35 \times I_N$ ) have been taken into account.  |             |                                |       |       |      |      |
| ESX10-selected rating $I_N$ (in A) →  | <b>3</b>  | <b>6</b>    |                                |       |       |      |      |
| e. g. trip current $I_{ab} = 1.25 \times I_N$ (in A) →                      | 3.75  | 7.5         | → <b>ESX10 trips after 3 s</b> |       |       |      |      |
| $R_{\max}$ in Ohm = $(U_S / I_{ab}) - 0.050$ →                              | <b>5.07</b>   | <b>2.51</b> |                                |       |       |      |      |
| The ESX10 reliably trips from 0 Ohm to max. circuitry resistance $R_{\max}$ |   |             |                                |       |       |      |      |
| Cable cross section <b>A</b> in mm <sup>2</sup> →                           | 0.14  | 0.25        | 0.34                           | 0.5   | 0.75  | 1    | 1.5  |
| cable length <b>L</b> in meter (= single length)                            | cable resistance in Ohm = $(R_0 \times 2 \times L) / A$   |             |                                |       |       |      |      |
| 5   | 1.27  | 0.71        | 0.52                           | 0.36  | 0.24  | 0.18 | 0.12 |
| 10  | 2.54  | 1.42        | 1.05                           | 0.71  | 0.47  | 0.36 | 0.24 |
| 15  | 3.81  | 2.14        | 1.57                           | 1.07  | 0.71  | 0.53 | 0.36 |
| 20  | 5.09  | 2.85        | 2.09                           | 1.42  | 0.95  | 0.71 | 0.47 |
| 25  | 6.36  | 3.56        | 2.62                           | 1.78  | 1.19  | 0.89 | 0.59 |
| 30  | 7.63  | 4.27        | 3.14                           | 2.14  | 1.42  | 1.07 | 0.71 |
| 35  | 8.90  | 4.98        | 3.66                           | 2.49  | 1.66  | 1.25 | 0.83 |
| 40  | 10.17   | 5.70        | 4.19                           | 2.85  | 1.90  | 1.42 | 0.95 |
| 45  | 11.44   | 6.41        | 4.71                           | 3.20  | 2.14  | 1.60 | 1.07 |
| 50  | 12.71   | 7.12        | 5.24                           | 3.56  | 2.37  | 1.78 | 1.19 |
| 75  | 19.07   | 10.68       | 7.85                           | 5.34  | 3.56  | 2.67 | 1.78 |
| 100   | 25.34   | 14.24       | 10.47                          | 7.12  | 4.75  | 3.56 | 2.37 |
| 125   | 31.79   | 17.80       | 13.09                          | 8.90  | 5.93  | 4.45 | 2.97 |
| 150   | 38.14   | 21.36       | 15.71                          | 10.68 | 7.12  | 5.34 | 3.56 |
| 175   | 44.50   | 24.92       | 18.32                          | 12.46 | 8.31  | 6.23 | 4.15 |
| 200   | 50.86   | 28.48       | 20.94                          | 14.24 | 9.49  | 7.12 | 4.75 |
| 225   | 57.21   | 32.04       | 23.56                          | 16.02 | 10.68 | 8.01 | 5.34 |
| 250   | 63.57   | 35.60       | 26.18                          | 17.80 | 11.87 | 8.90 | 5.93 |
| <b>Example 1:</b>   | max. length at 1.5 mm <sup>2</sup> and 3 A → <b>214 m</b>   |             |                                |       |       |      |      |
| <b>Example 2:</b>   | max. length at 1.5 mm <sup>2</sup> and 6 A → <b>106 m</b>   |             |                                |       |       |      |      |
| <b>Example 3:</b>   | mixed wiring:<br>R1 = 40 m in 1.5 mm <sup>2</sup> and R2 = 5 m in 0.25 mm <sup>2</sup> :<br>(Control cabinet – sensor/actuator level) R1 = 0.95 Ohm, R2 = 0.71 Ohm<br><b>Total (R1 + R2) = 1.66 Ohm</b> |             |                                |       |       |      |      |

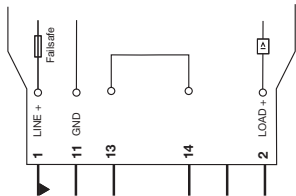
4

## ESX10 Signal inputs / outputs (wiring diagram)

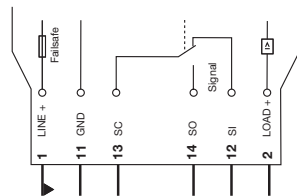
### ESX10 signal inputs / outputs (wiring diagrams)

Signal contacts are shown in the OFF or fault condition.

**ESX10-100**  
without signal input/output

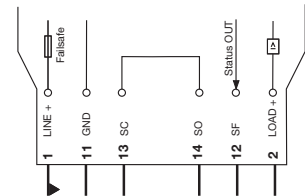


**ESX10-103**  
without signal input  
with signal output F (group signal, change-over)



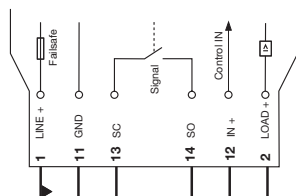
operating condition: SC/SO closed, SC-SI open  
fault condition: SC/SO open, SC-SI closed

**ESX10-104**  
without signal input  
with status output SF (+24 V = load output ON)



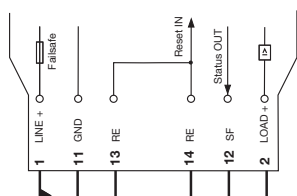
operating condition: SF +24 V = OK  
fault condition: SF 0V

**ESX10-115-...**  
with control input IN+ (+DC 24 V)  
with signal output F (group signal, N/O)



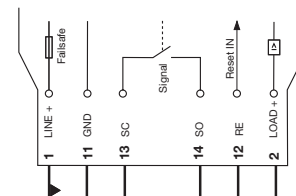
operating condition: SC-SO closed  
fault condition: SC-SO open

**ESX10-124-...**  
with reset input RE (+DC 24 V↓)  
with status output SF (+24 V = load output ON)



operating condition: SF +24V = OK  
fault condition: SF 0V

**ESX10-125-...**  
with reset input RE (+DC 24 V↓)  
with signal output F (group signal, N/O)

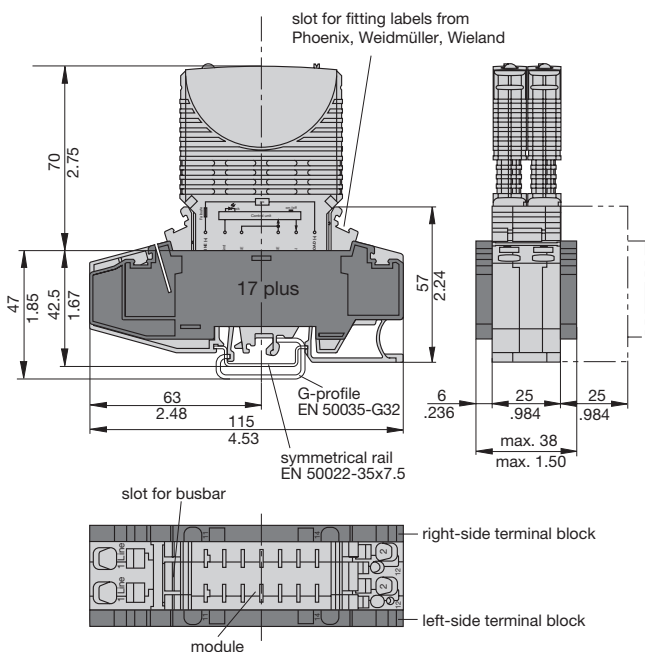


operating condition: SC-SO closed  
fault condition: SC-SO open

4

## Installation example Module 17plus

**Module 17plus for ESX10-1xx**  
For technical data please see product group  
Power Distribution Modules



## Installation example Module 18plus

**Module 18plus for ESX10-100 / ESX10-103**  
For technical data please see product group  
Power Distribution Modules

