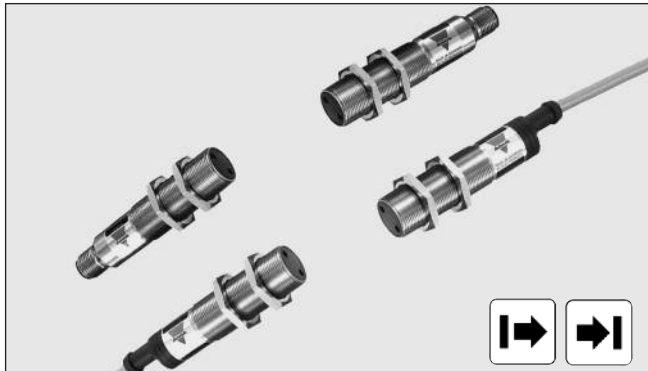


Photoelectrics Through-beam Type ET 1820 DC, Nickel-plated Brass Housing

CARLO GAVAZZI



- Range: 20 m
- Adjustable sensitivity
- Modulated infrared light
- Make and break switching functions, NPN, PNP (200 mA)
- LED-indication for power supply ON (emitter) and target detected (receiver)
- Supply voltage: 10 to 40 VDC
- Heavy duty M18 metal housing, IP 67
- Cable and plug versions



Product Description

The ET1820 is a family of general purpose through-beam sensors in an industrial standard M18 nickel-plated brass housing for heavy duty applications. They are useful for simple applications where a basic sensor provide adequate

sensing performance. The sensors are easy to adjust with a 270° single turn potentiometer. The output is a 4-wire complementary (NO and NC) circuit with NPN (current sinking) or PNP (current sourcing) open collector transistor output.

Ordering Key

ET 18 20 NPA S-1

Type	_____
Housing diameter	_____
Range	_____
Output type	_____
Housing material	_____
Connection type	_____

Type Selection

Housing diameter	Rated operating dist. (S_n)	Connection	Ordering no. Receiver/NPN Make & break switching	Ordering no. Receiver/PNP Make & break switching	Ordering no. Emitter
M18	20 m	Cable	ET 1820 NPAS	ET 1820 PPAS	ET 1820
M18	20 m	Plug	ET 1820 NPAS-1	ET 1820 PPAS-1	ET 1820-1

Note: Please order emitter and receiver separately.

Specifications Emitter

Rated operational volt. (U_B)	10 to 40 VDC (ripple included)
Ripple (U_{rpp})	≤ 10%
Supply current (I_o)	≤ 20 mA
Protection	Reverse polarity, short-circuits, transients
Light source	GaAlAs LED, 880 nm
Light type	Infrared, modulated
Optical angle	± 2°
Indication	LED, green
Supply ON	

Specifications Receiver

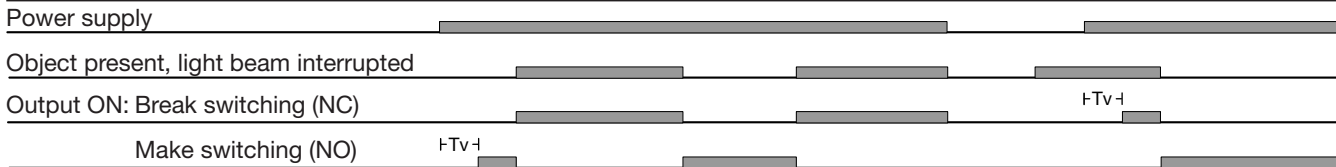
Rated operating dist. (S_n)	Up to 20 m
Sensitivity	270° single turn pot. meter
Temperature drift	0.6%/°C
Hysteresis (H) (Differential travel)	3 to 20%
Rated operational volt. (U_B)	10 to 40 VDC (ripple included)
Ripple (U_{rpp})	Max. 10%
No-load supply current (I_o)	Max. 12 mA (typ. 8 mA)
Min. operational current (I_e)	0.5 mA
OFF-state current (I_r)	Max. 100 μA (typ. 0)
Output current	
Continuous (I_e)	Max. 200 mA
Short-time (I)	200 mA
	Max. load capacity 100 nF
Voltage drop (U_d)	Max. 2.5 VDC
Protection	Reverse polarity, short-circuit, transients
Optical angle	± 2°
Ambient light	Max. 5,000 lux
Operating frequency (f)	Typ. 170 Hz
Response time	
OFF-ON (t_{ON})	Typ. 1.6 ms
ON-OFF (t_{OFF})	Typ. 4.2 ms



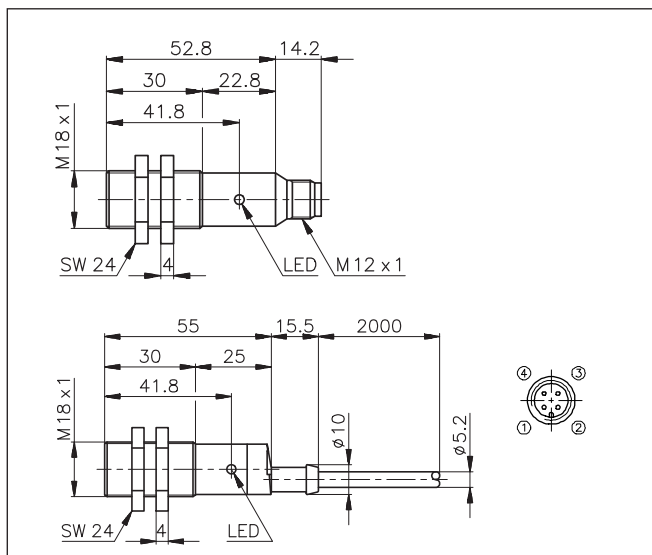
General Specifications

Power ON delay (t_v)	70 ms	Housing material	
Indication	Light and dark (Complementary switch) LED, yellow	Body	Nickel plated brass
Output ON		Front	PC, black
Environment		Cable end	Polyester, black
Overvoltage category	III (IEC 60664/664A; 60947-1)	Nuts	Nickel plated brass
Pollution degree	3 (IEC 60664/664A; 60947-1)	Connection	
Degree of protection	IP 67 (IEC 60529; 60947-1)	Cable	Grey, 2 m oilproof, PVC, 4 x 0.34 mm ² , ø 5.2 mm
Temperature		Receiver	2 x 0.5 mm ² , ø 5.2 mm
Operating	-20° to +60°C (-4° to +140°F)	Ermittler	M12 x 1
Storage	-30° to +70°C (-22° to +158°F)	Plug	CON.1A-..series
Vibration	10 to 150 Hz, 0.5 mm/7.5 g (IEC 60068-2-6)	Cables for plug (M1)	
Shock	2 x 1 m & 100 x 0.5 m (IEC 60068-2-32)	Weight	
Dielectric voltage	500 VAC (IEC 60364-4-41)	Cable version	137 g
		Plug version	54 g
		Approvals	UL, CSA
		CE-marking	Yes

Operation Diagram



Dimensions



Wiring Diagrams

