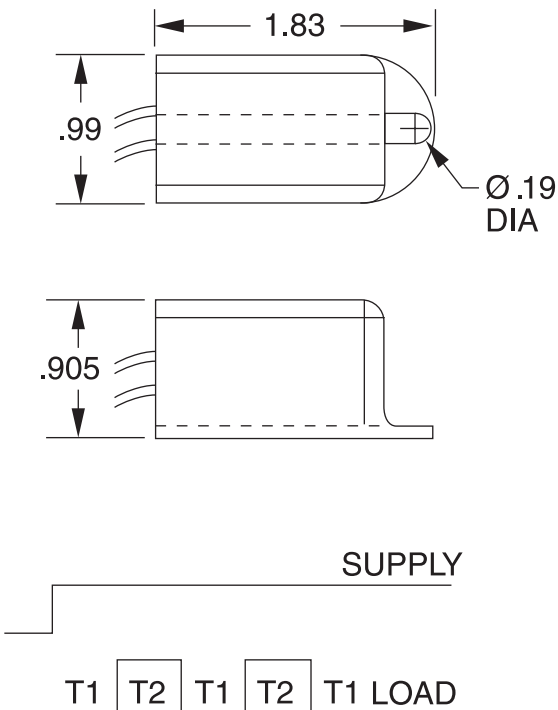


When supply voltage is applied, the OFF delay (T1) begins. Upon completion of the OFF delay, the load energizes and the ON delay (T2) begins. Upon completion of the ON delay, the load de-energizes and one cycle is complete. This ON/OFF cycling continues until the supply voltage is removed. The OFF delay always equals the ON delay.

DIMENSIONS (INCHES)



Solid-State Flasher

- Totally Solid-state
- 2-Wire Leads (Series Connection with Load)
- Totally Encapsulated Circuitry
- Molded Case with Built-In Mounting Feature
- High Inrush Capability
- Low Cost
- 1 Amp (Fullwave) and 3 Amp (halfwave) versions

SPECIFICATIONS

TIMING ACTION	Flasher, 50% Duty Cycle	
TIMING RANGE	Factory Fixed, (45-150) Flashes per minute ±20%	
OUTPUT RATING	1 A Resistive (Fullwave)	10 A Maximum (Inrush) 40 mA Minimum (Hold in Current) 2.5 Volt Drop @ 1 A
	3 A Resistive (Halfwave)	10 A Maximum (Inrush) 40mA Minimum (Hold in Current) 1.1 Volt Drop @ 3 Amp
SUPPLY VOLTAGE	120 VAC; ± 15%, 50/60 Hertz	
TERMINATIONS	(2) 6 inch wires, 18 AWG, 300 Volt	
TEMPERATURE RATING	Operate	-4° to 140°F (-20° to +60°C) Free Air
	Storage	-40° to 185°F (-40° to +85°C)
MOUNTING	No. 8 or No. 10 Screw	
ENCLOSURE	Polycarbonate Case, Totally Encapsulated for Environmental Protection	
WEIGHT	0.1 lbs.	

MODEL NUMBER

MODEL NUMBER	ETN	120		F	T	75
VOLTAGE	120 Volts	120				
TYPE OF VOLTAGE	AC Voltage		A			
	3 Amp Halfwave		H			
TYPE OF OPERATION	Fixed Unit			F		
ENCLOSURE	Enclosure Type				T	
FLASHING RATE	75 Flashes/minute (Standard)					75
	Contact factory for other flashing rates					