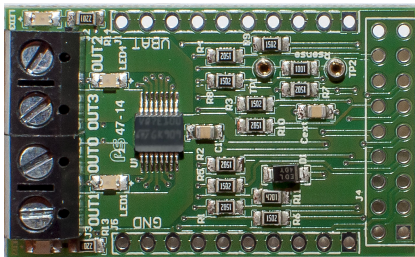


VNQ7E100AJ evaluation board



Features

Parameter	Symbol	Value
Max transient supply voltage	V_{CC}	40 V
Operating voltage range	V_{CC}	4 to 28 V
Typ. on-state resistance (per Ch)	R_{ON}	100 m Ω
Current limitation (typ)	I_{LIMH}	15 A
Stand-by current (max)	I_{STBY}	0.5 μ A
Minimum cranking supply Voltage (V_{CC} decreasing)	$V_{USD_cranking}$	2.85 V

- Simple single IC application board dedicated for VNQ7E100AJ
- Provides electrical connectivity and thermal heat-sinking for easy prototyping
- General device features
 - Quad channel smart high side driver with analog feedback
 - Very low standby current
 - Compatible with 3 V and 5 V CMOS outputs
 - Extreme low voltage operation for deep cold cranking applications (compliant to LV124, revision 2013)
- Diagnostic functions
 - Analog feedback of load current with high precision proportional current mirror
 - Overload and short to ground (power limitation) indication
 - Thermal shutdown indication
 - OFF-state open-load detection
 - Output short to V_{CC} detection
 - Sense enable/disable
- Protections
 - Undervoltage shutdown
 - Overvoltage clamp
 - Load current limitation
 - Self limiting of fast thermal transients
 - Configurable latch-off on overtemperature or power limitation with dedicated fault reset pin
 - Loss of ground and loss of V_{CC}
 - Reverse battery with external components
 - Electrostatic discharge protection

Product status link

[EV-VNQ7E100AJ](#)

Order code

References

EV-VNQ7E100AJ

 EV-VNQ7E100AJ
evaluation board

Application

- Automotive resistive, inductive and capacitive loads
- Protected supply for ADAS systems: radars and sensors
- Automotive headlamp

Description

This board provides you an easy way to connect STMicroelectronics VIPower M0-7 technology into your existing system.

The board comes pre-assembled with VNQ7E100AJ high-side driver. On board, a minimum set of electrical components (as for device datasheet recommendation), enables the user to directly connect the load, the power supply and the microcontroller without any additional effort in external component design and connection.

The VNQ7E100AJ is a quad channel high-side driver manufactured using ST proprietary VIPower technology and housed in PowerSSO-16 package. The device is designed to drive 12 V automotive grounded loads through a 3 V and 5 V CMOS-compatible interface and to provide protection and diagnostics.

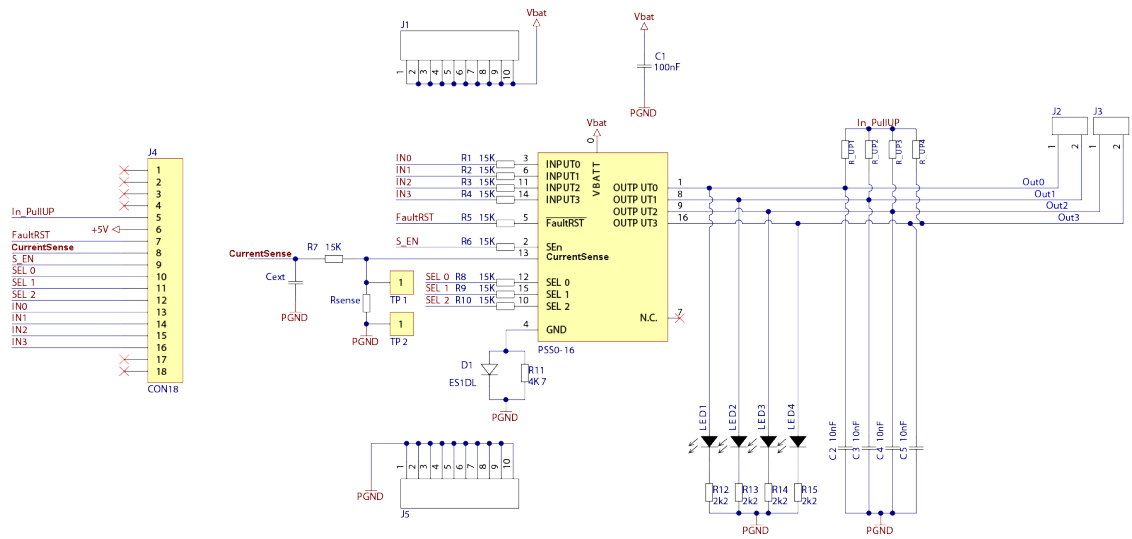
The device integrates advanced protective functions such as load current limitation, overload active management by power limitation and overtemperature shutdown with configurable latch-off.

A $\overline{\text{FaultRST}}$ pin unlatches the output in case of fault or disables the latch-off functionality.

A dedicated multifunction multiplexed analog output pin delivers sophisticated diagnostic functions including high precision proportional load current sense, supply voltage feedback and chip temperature sense, in addition to the detection of overload and short circuit to ground, short to V_{CC} and OFF-state open-load. A sense enable pin allows OFF-state diagnosis to be disabled during the module low-power mode as well as external sense resistor sharing among similar devices.

1 Design recommendation

Figure 1. VNQ7E100AJ evaluation board schematic



GAPG0203151511RI

2 Board connections

Figure 2 shows the placement of the connectors to be used to supply the evaluation board, to connect the load and to control the functionality and diagnostic of the device.

Figure 2. VNQ7E100AJ evaluation board connections

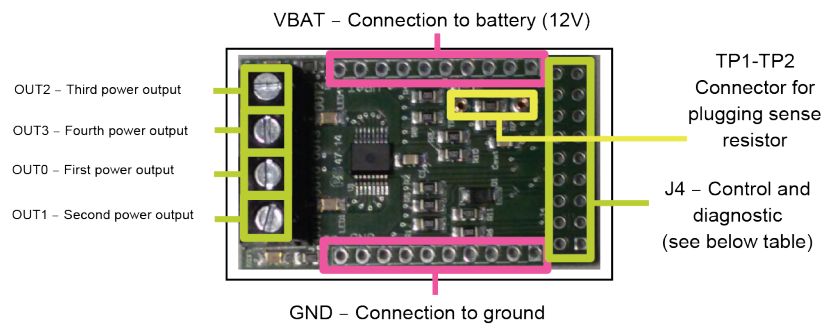


Table 1. J4 connector: pin functions

Connector	Pin number	Pin name	Pin function
J4	1...4	N/A	Not connected
J4	5	IN_PullUP	Connection to optional external pull-up resistor for open load detection in off-state.
J4	6	+5V	5V Power Supply
J4	7	$\overline{\text{FaultRST}}$	Active low compatible with 3V and 5V CMOS outputs pin; it unlatches the output in case of fault; If kept low, sets the outputs in auto-restart mode.
J4	8	CurrentSense	Analog current sense output pin; delivers a current proportional to the selected load current.
J4	9	S_EN	Active high compatible with 3V and 5V CMOS outputs pin; it enables the CurrentSense diagnostic pin.
J4	10...12	SEL _{0,1,2}	Active high compatible with 3V and 5V CMOS outputs pin; they address the CurrentSense multiplexer.
J4	13...16	IN _{0,1,2,3}	Voltage controlled input pin with hysteresis, compatible with 3V and 5V CMOS outputs. They control output switch state.
J4	17...18	N/A	Not connected

In case the user wishes to utilize the CurrentSense/MultiSense function of the device, it is necessary to plug a sense resistor in R_{SENSE} .

The package includes a through-hole resistor, to be mounted on TP1-TP2 (see Figure 4).

Different R_{SENSE} values can be adopted based on user preference.

Another option is soldering an SMD resistor on the dedicated PCB pad, as shown in Figure 5.

Figure 3. No sense resistor



Figure 4. Mounting through-hole sense resistor

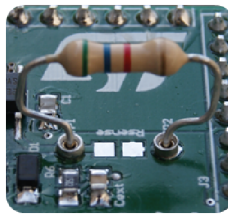
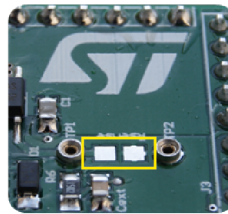


Figure 5. Pads for soldering SMD resistor



3 Thermal data

Table 2. Thermal data

Symbol	Parameter	Max	Unit
$R_{thj-amb}$	Thermal resistance junction-ambient (MAX)	43	°C/W

Table 3. PCB specifications

Parameter	Value
Board dimensions	25 mm x 41.5 mm
Number of Cu layer	2
Layer Cu thickness	35 μ m
Board finish thickness	1.6 mm +/- 10%
Board Material	FR4
Thermal vias diameter	0.3 mm

Revision history

Table 4. Document revision history

Date	Version	Changes
02-Sep-2019	1	Initial release.

Contents

1	Design recommendation	3
2	Board connections	4
3	Thermal data	6
	Revision history	7