

GENERAL DESCRIPTION

The EV1518DG-00A is an evaluation board for the MP1518, a step-up converter designed for driving up to 6 series white LEDs from a single cell Lithium Ion battery. The MP1518 uses current mode, fixed frequency architecture to regulate the LED current, which is measured through an external current sense resistor. Its low 104mV feedback voltage reduces power loss and improves efficiency. The OV pin monitors the output voltage and turns off the converter if an over-voltage condition is present due to an open circuit condition.

The MP1518 includes under-voltage lockout, current limiting and thermal overload protection preventing damage in the event of an output overload.

ELECTRICAL SPECIFICATIONS

| Parameter | Symbol | Value | Units |
|---------------|-----------|-----------|-------|
| Input Voltage | V_{IN} | 2.5 – 6.0 | V |
| # of WLEDs | | Up to 6 | |
| LED Current | I_{LED} | 20 | mA |

FEATURES

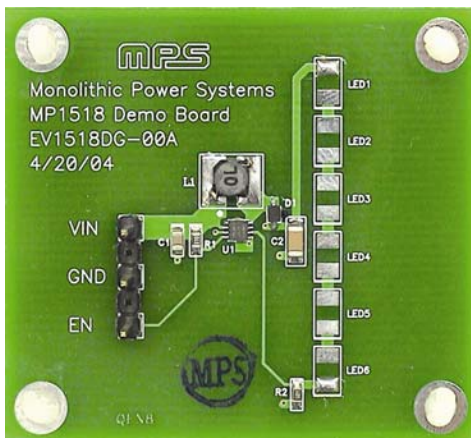
- On Board Power MOSFET
- Drives up to 6 Series White LEDs
- Up to 87% Efficiency
- Over 1MHz Fixed Switching Frequency
- Open Load Shutdown
- Low 104mV Feedback Voltage
- Soft Start/PWM Dimming
- UVLO, Thermal Shutdown
- Internal Current Limit

APPLICATIONS

- Cell Phones
- Handheld Computers and PDAs
- Digital Still Cameras
- Small LCD Displays

"MPS" and "The Future of Analog IC Technology" are Trademarks of Monolithic Power Systems, Inc.

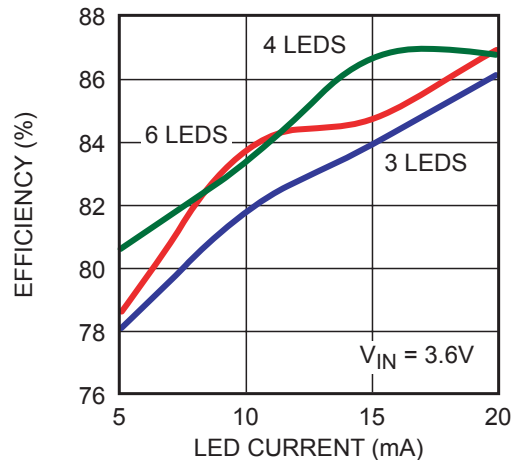
EV1518DG-00A EVALUATION BOARD

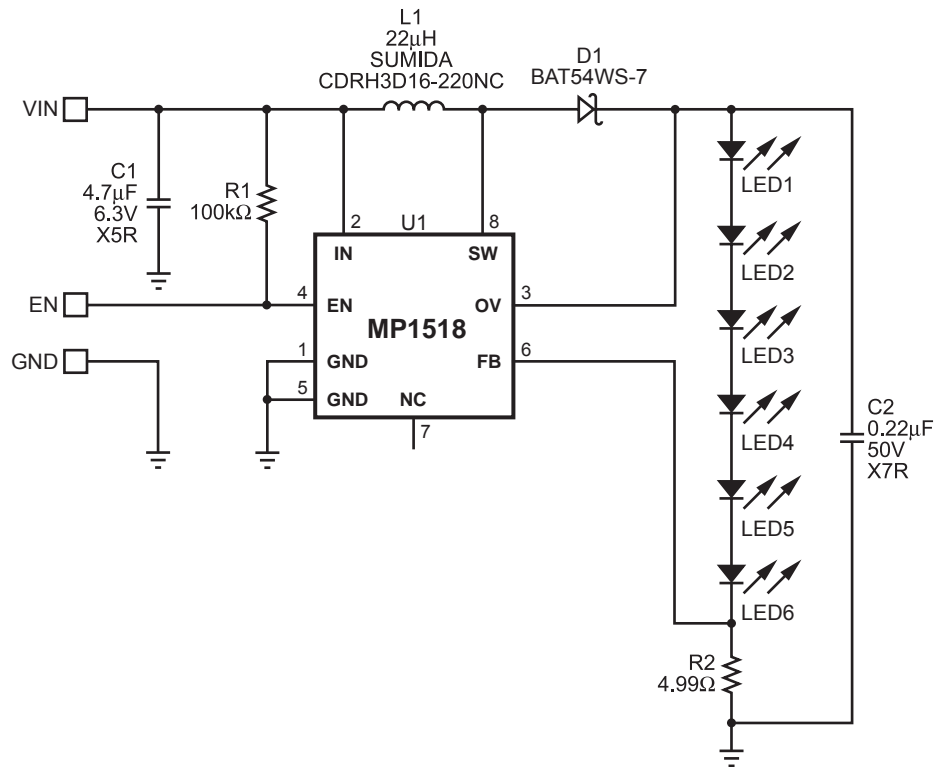


(L x W x H) 2.0" x 1.8" x 0.4"
(5.0cm x 4.5cm x 1.0cm)

| Board Number | MPS IC Number |
|--------------|---------------|
| EV1518DG-00A | MP1518DG |

Efficiency vs LED Current



EVALUATION BOARD SCHEMATIC

EV1518DG-00A BILL OF MATERIALS

| Qty | Ref | Value | Description | Package | Manufacturer | Manufacturer P/N |
|-----|------------------------------------|--------|------------------------------|------------|--------------|-------------------|
| 1 | C1 | 4.7µF | Ceramic Capacitor, 6.3V, X5R | 0805 | TDK | C2012X5R0J475M |
| 1 | C2 | 0.22µF | Ceramic Capacitor, 50V, X7R | 1206 | TDK | C3216X7R1H224K |
| 1 | D1 | | Diode Schottky, 30V, 200mW | SOD-323 | Diodes Inc | BAT54WS-7 |
| 1 | L1 | 22µH | 400mA | SMD | Sumida | CDRH3D16-220NC |
| 6 | LED1, LED2, LED3, LED4, LED5, LED6 | | Not Stuffed | | | |
| 1 | R1 | 100kΩ | Resistor, 5% | 0805 | Panasonic | ERJ-6GEYJ104V |
| 1 | R2 | 4.99Ω | Resistor, 1% | 0805 | Yageo | 9C08052A4R99FKHFT |
| 1 | U1 | | White Led Driver | QFN8 (2x2) | MPS | MP1518DG |