

GENERAL DESCRIPTION

The EV1531DQ-002A Evaluation Board is designed to demonstrate the capabilities of MPS' MP1531 triple output step-up converter with charge-pumps.

The MP1531 includes a 250KHz fixed-frequency step-up converter and a positive and negative linear regulator. The linear regulators are powered via charge-pumps driven by the step-up converter switch node.

A single on/off control enables all 3 outputs. The outputs are internally sequenced at power-on for ease of use. An internal soft-start prevents overloading the input source at startup. Cycle-by-cycle current limit reduces component stress.

ELECTRICAL SPECIFICATION

Parameter	Symbol	Value	Units
Input Voltage	V_{IN}	2.7-5.5	V
Main Output Voltage	V_{MAIN}	5	V
Main Output Current	I_{MAIN}	100	mA
(+) Charge Pump Voltage	V_{GH}	15	V
(+) Charge Pump Current	I_{GH}	5	mA
(-) Charge Pump Voltage	V_{GL}	-10	V
(-) Charge Pump Current	I_{GL}	5	mA

FEATURES

- 2.7V to 5.5V Operating Input Range
- 500mA Switch Current Limit
- 3 Outputs in Single Package
 - Step-Up Converter up to 22V
 - Positive 10mA Linear Regulator
 - Negative 10mA Linear Regulator
- 250mΩ Internal Power MOSFET Switch
- Up to 95% Efficiency
- 1μA Shutdown Mode
- Fixed 250KHz Frequency
- Positive Regulator up to 38V
- Negative Regulator down to -20V
- Internal Power-On Sequencing
- Adjustable Soft-Start/Fault Timer
- Thermal Shutdown
- Cycle-by-Cycle Over Current Protection
- Under Voltage Lockout
- Ready Flag

APPLICATIONS

- TFT LCD Displays
- Portable DVD Players
- Tablet PCs
- Car Navigation Displays

MPS, "MPS", "Monolithic Power Systems", and "The Future of Analog IC Technology" are Registered Trademarks of Monolithic Power Systems, Inc.

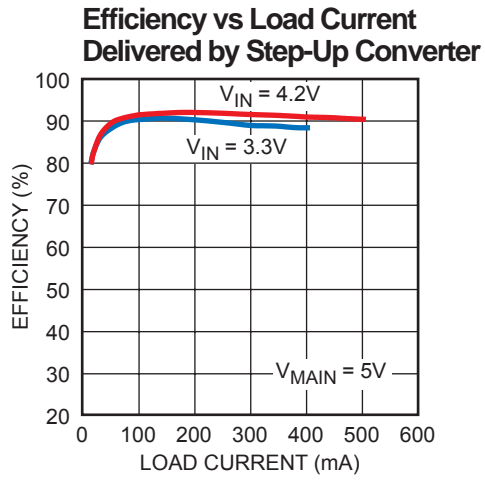
EV1531DQ-002A EVALUATION BOARD



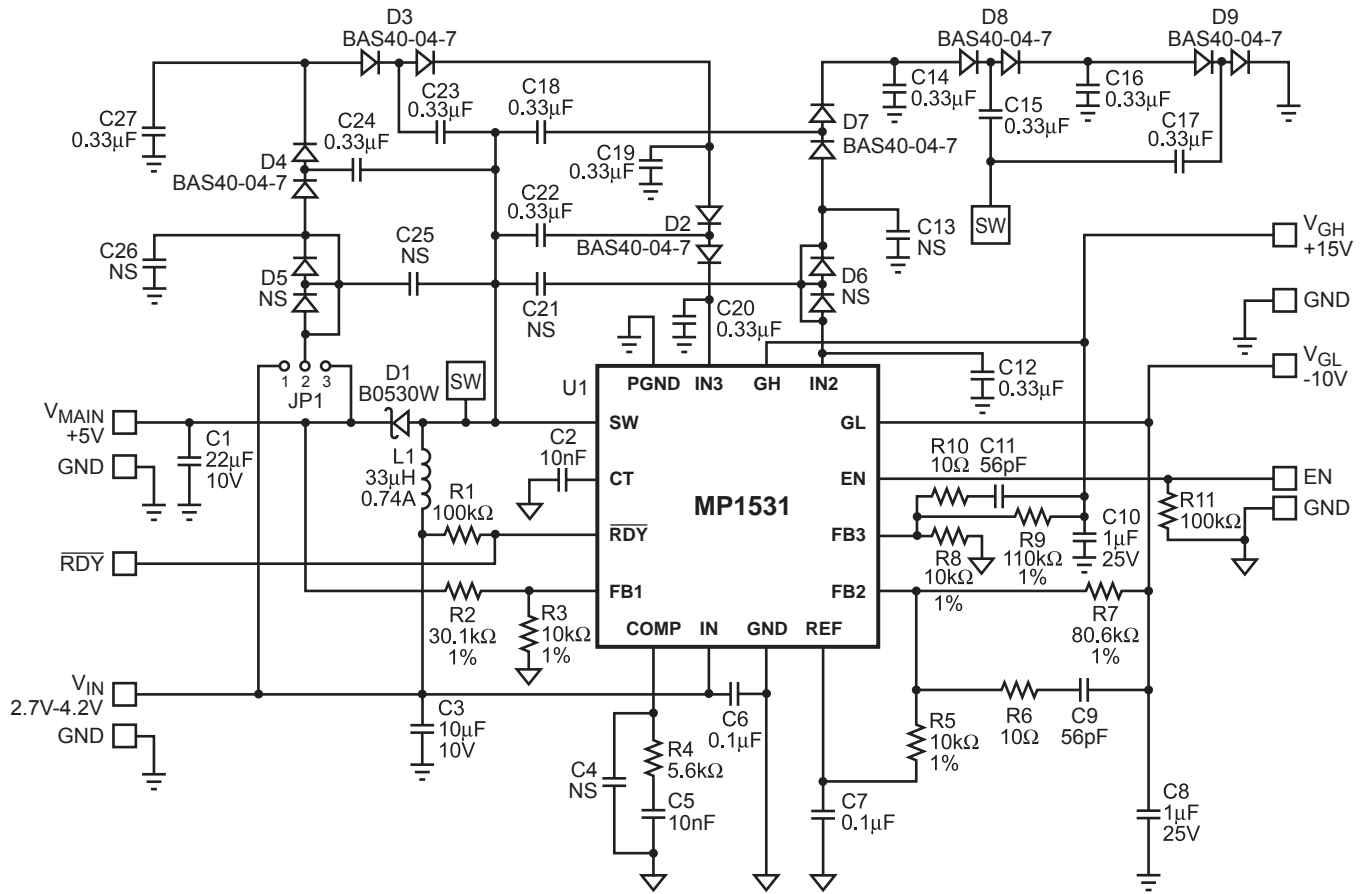
Dimensions (2.34"X x 2.25"Y x 0.50"Z)

Board Number	MPS IC Number
--------------	---------------

EV1531DQ-002A	MP1531
---------------	--------



EVALUATION BOARD SCHEMATIC



EV1531_S01

EV1531DQ-002A BILL OF MATERIALS

Qty	Ref	Description	Manufacturer P/N	Distributor P/N
6	D2, D3, D4, D7, D8, D9	Schottky Diodes, Dual, 40V, 200mA, SOT-23	Diodes Inc: BAS40-04-7	Digikey BAS40-04DICT-ND
1	D1	Schottky Diode, 30V, 0.5A, SOD-123	Diodes Inc: B0530W	Digikey: B0530WDICT-ND
2	D5, D6	NS		
5	C4, C13, C21, C25, C26	NS		
12	C12, C14, C15, C16, C17, C18, C19, C20, C22, C23, C24, C27	Ceramic Capacitor, 0.33μF, 50V, 0805, X7R	AVX: 08055C334KAT2A	Digikey: 478-1402-1-ND
1	C3	Ceramic Capacitor, 10μF, 10V, 1210, X5R	AVX: 1210ZC106KAT2A	Digikey: 478-1625-1-ND

EV1531DQ-002A BILL OF MATERIALS *(continued)*

Qty	Ref	Description	Manufacturer P/N	Distributor P/N
1	C1	Ceramic Capacitor, 22 μ F, 10V, 1210, X5R	AVX:1210ZD226KAT2A	Digikey: 478-1632-1-ND
2	C8,C10	Ceramic Capacitor, 1 μ F, 25V, 1206, X7R	AVX:12063C105KAT2A	Digikey: 478-1567-1-ND
2	C2, C5	Ceramic Capacitor, 10nF, 50V, 0805, X7R	AVX:0805C103KAT2A	Digikey: 478-1383-1-ND
2	C6,C7	Ceramic Capacitor, 0.1 μ F, 50V, 0805, X7R	AVX:08055C104KAT2A	Digikey: 478-1395-1-ND
2	C9,C11	Ceramic Capacitor, 56pF, 50V, 0805, NPO	AVX:08055A560JAT2A	Digikey: 478-1313-1-ND
1	L1	Inductor, 33 μ H, 740mA	Coicraft:LP06013--333KX	
1	U1	MP1531DQ, QFN16	MPS: MP1531DQ	
2	R1,R11	Resistor, 100k Ω , 0805, 5%	Panasonic: ERJ-6GEYJ104V	Digikey: P100KACT-ND
1	R4	Resistor, 5.6k Ω , 0805, 5%	Panasonic: ERJ-6ENF562V	Digikey: P5.6KCCT-ND
1	R2	Resistor, 30.1k Ω , 0805, 1%	Panasonic: ERJ-6GEYJ303V	Digikey: P30KACT-ND
3	R3,R5,R8	Resistor, 10k Ω , 0805, 1%	Panasonic: ERJ-6GEYJ103V	Digikey: P10KACT-ND
1	R9	Resistor, 110k Ω , 0805, 1%	Panasonic: ERJ-6GEY114V	Digikey: P110KACT-ND
2	R6,R10	Resistor, 10 Ω , 0805, 5%	Panasonic: ERJ-6GEYJ100V	Digikey: P10ACT-ND
1	R7	Resistor, 80.6k Ω , 0805, 1%	Panasonic: ERJ-6ENF8062V	Digikey: P80.6KCCT-ND
1	JP1	Conn Jumper	Sullins: STC02SYAN	Digikey: S9000-ND

PRINTED CIRCUIT BOARD LAYOUT

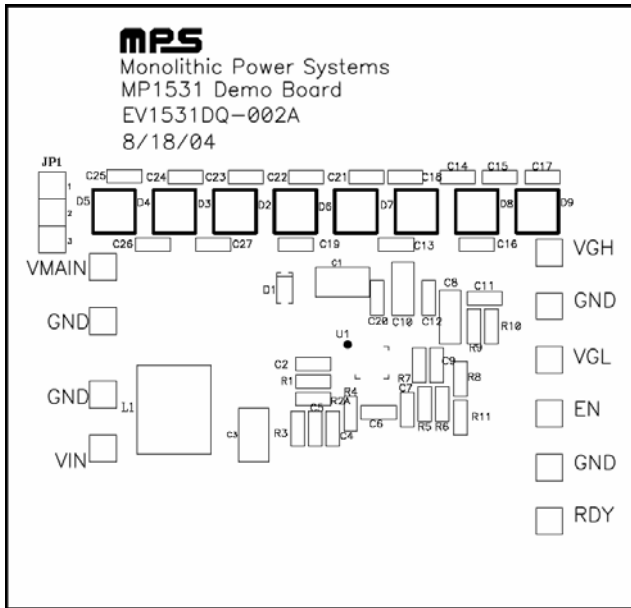


Figure 1—Top Silk Layer

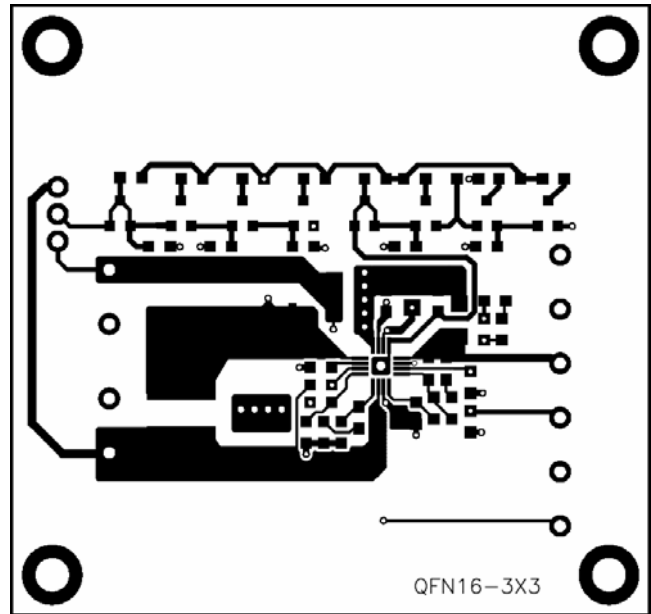


Figure 2—Top Layer

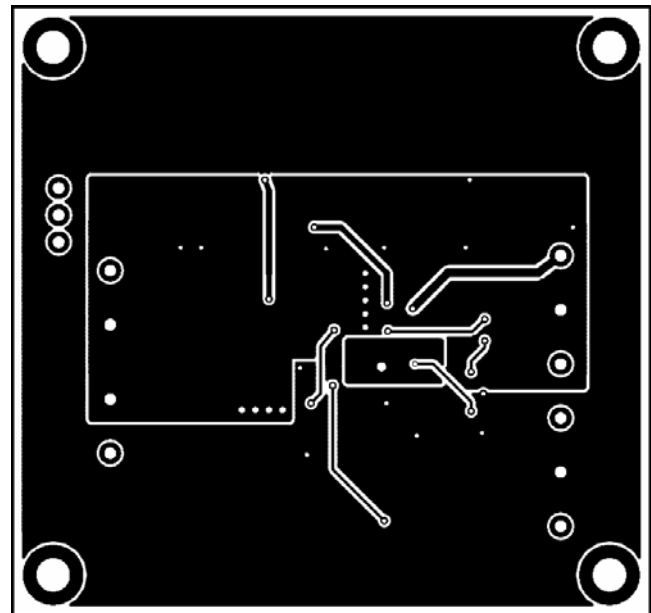


Figure 3—Bottom Layer