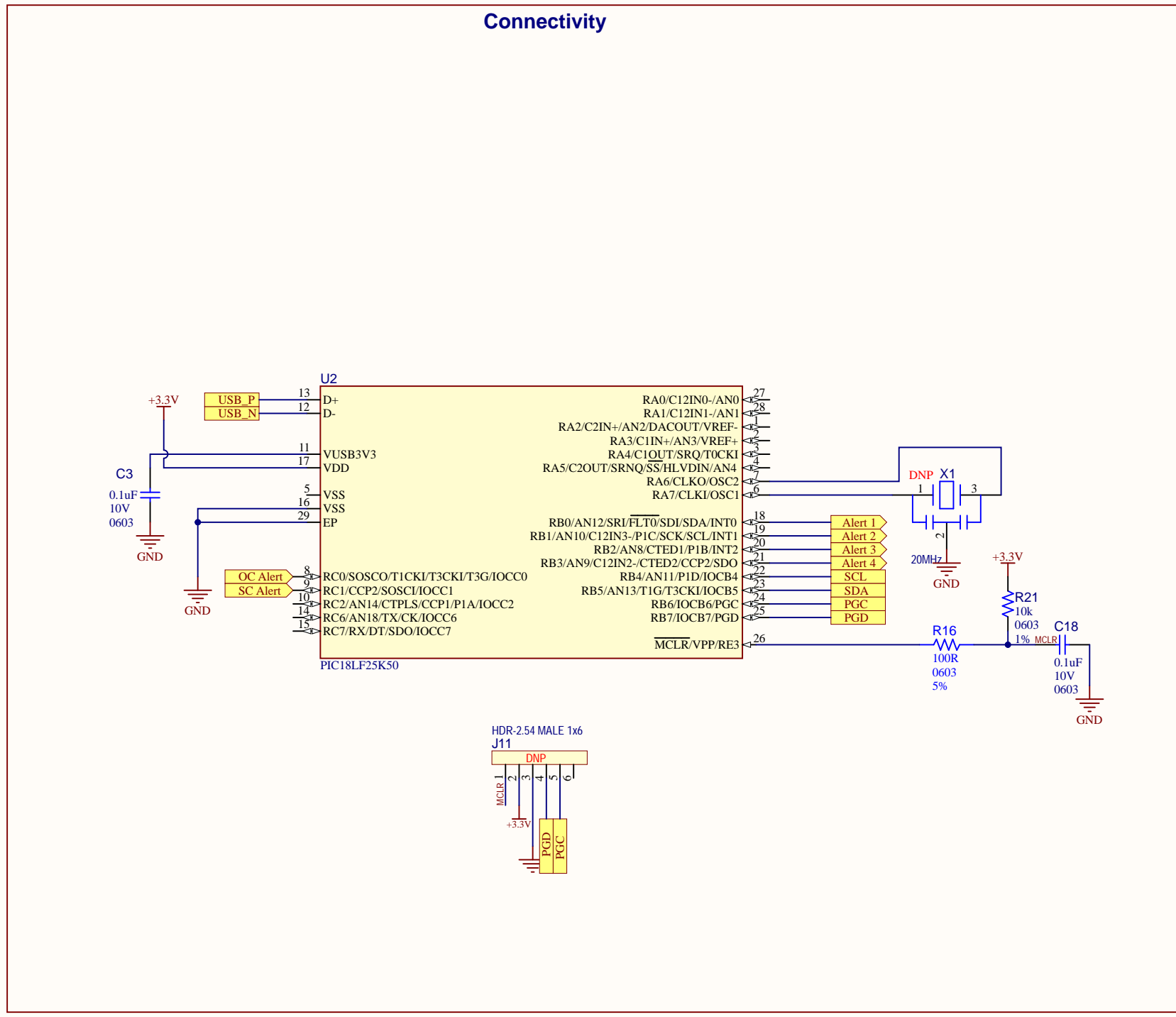


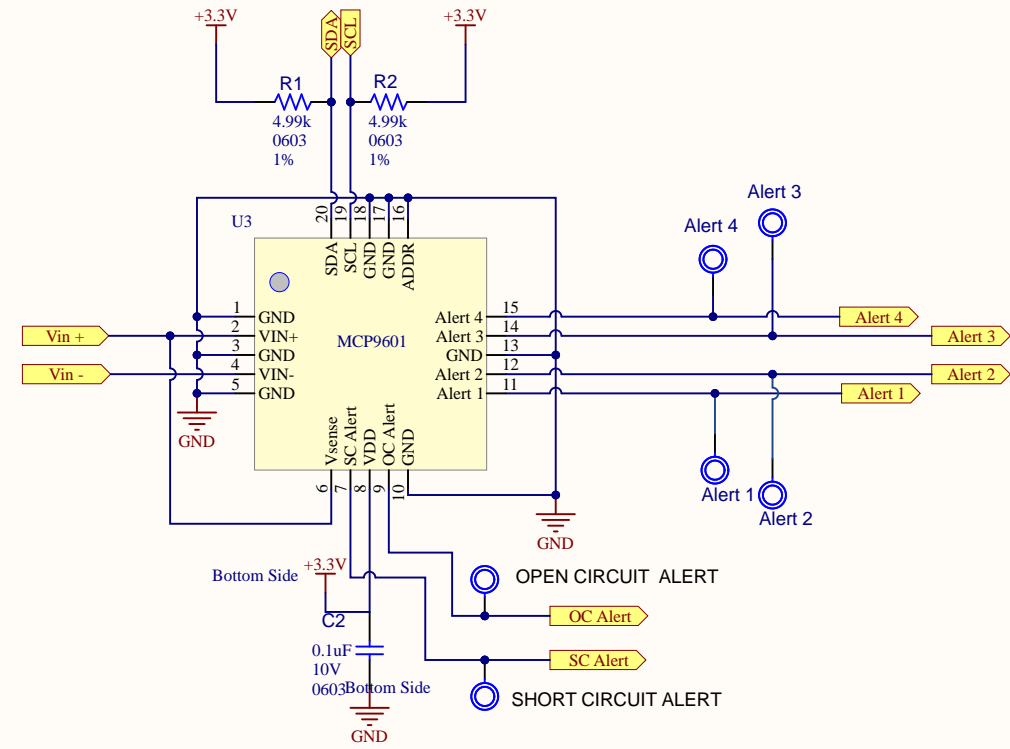
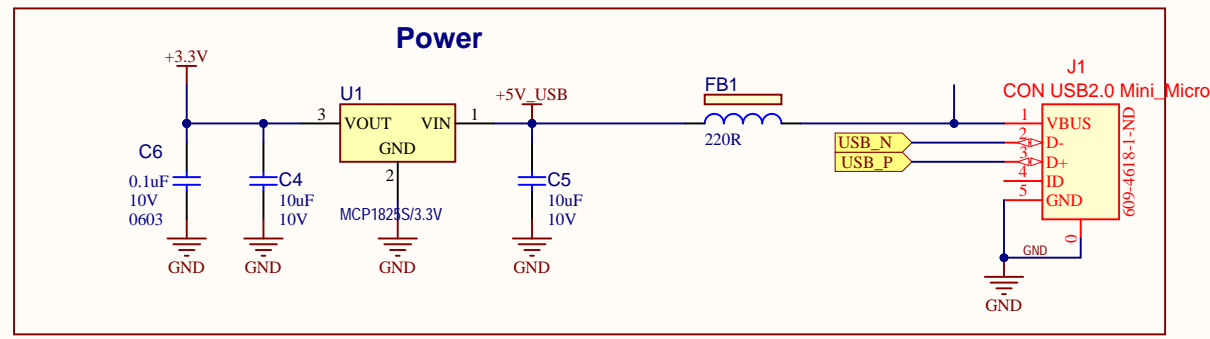
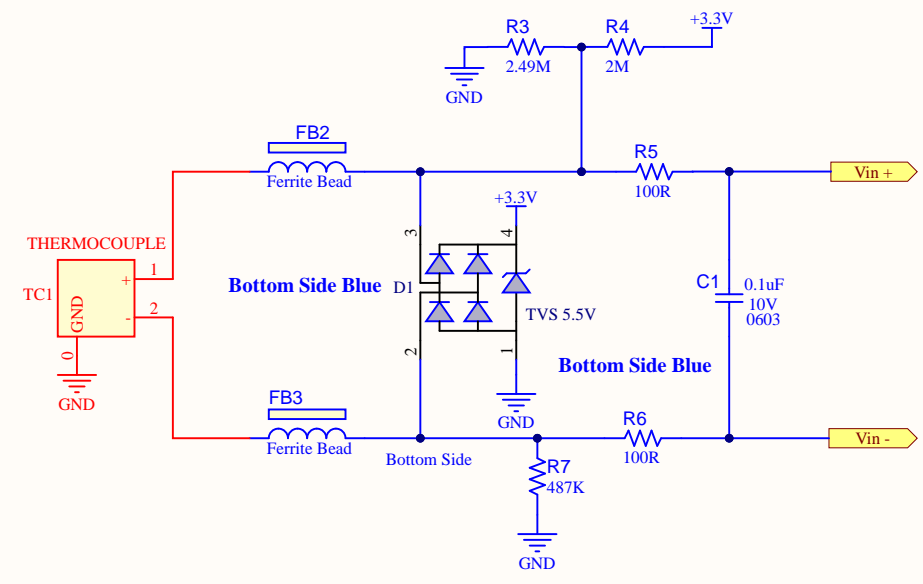
REV	ECO#	DESCRIPTION	DATE

Connectivity



Drawn By: Jose Garcia	
Engineer: Ezana Haile	
PartNumber: EV15T80A	Project Title MCP9601 Eval Board.
Sheet Title EMC1833 Interface Circuit	Designed with
Size B	Sch #03-11385 Date: 6/3/2021 3:02:08 PM
Revision:2	Sheet 1 of 2
File: 03-00264-R1 Pic Sch.SchDoc	

REV	ECO#	DESCRIPTION	DATE



LABEL1

[ASSY# / REV]
 SN: [SERIAL]
 [DATE yyyy.mm.dd]

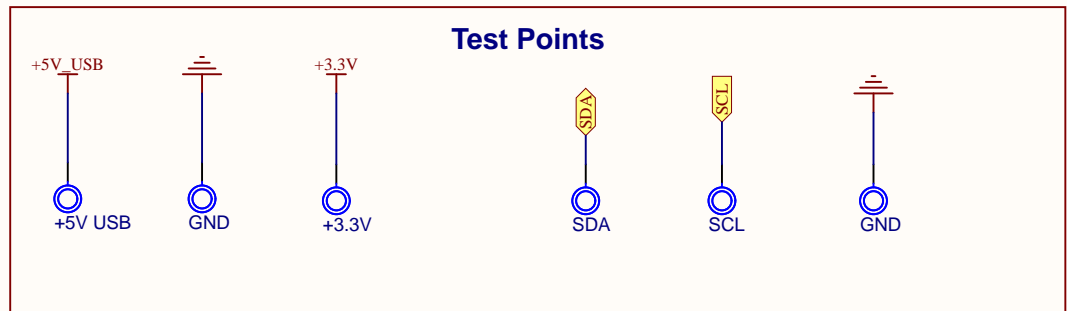
PCBA LABEL 18X6mm

Mechanicals

PAD1 PAD2 PAD3 PAD4
 Rubber Pad Cyl D7.9H5.3

CBL1
 USB A to USB Micro-B Cable

JC1
 5SRTC-TT-K-24-36



Drawn By: Jose Garcia	
Engineer: Ezana Haile	
PartNumber: EV15T80A	Project Title MCP9601 Eval Board.
Sheet Title EMC1833 Main Circuit	Designed with
Size B	Sch #03-11385 Revision:2
Date: 6/3/2021 3:02:08 PM	Sheet 2 of 2
File: 03-00264-R1.SchDoc	