



The Future of Analog IC Technology®

EV2488DN-00A

High Voltage White LED Driver Evaluation Board

DESCRIPTION

The EV2488DN-00A is an evaluation board for the MP2488DN, a step down converter designed for driving up to 10 white LEDs in series with 330mA current.

The MP2488 is a peak current mode control, fixed frequency regulator to deliver a constant current of up to 2A to high power white LEDs. Its low 200mV feedback voltage reduces power loss and improves efficiency.

The wide 4.5V to 55V input range accommodates a variety of step-down applications, making it ideal for automotive, industry and general lighting application.

The MP2488 is available in small 3mmX3mm 10 pin QFN and SOIC8 with exposed pad package.

ELECTRICAL SPECIFICATIONS

Parameter	Symbol	Value	Units
Input Voltage	V _{IN}	40 – 55	V
# of WLEDs		10 (in series)	
LED Current	I _{LED}	330	mA

FEATURES

- Up to 55V Input Voltage
- Drive up to 10 WLEDs series of 330mA
- Up to 200kHz programmable Switching Frequency
- Up to 97.5% Efficiency
- 220mΩ Internal Power MOSFET
- 200mV reference voltage

APPLICATIONS

- High Power white LED Driver
- Automotive, Industry and General Lighting
- Constant Current Source

"MPS" and "The Future of Analog IC Technology" are Registered Trademarks of Monolithic Power Systems, Inc.

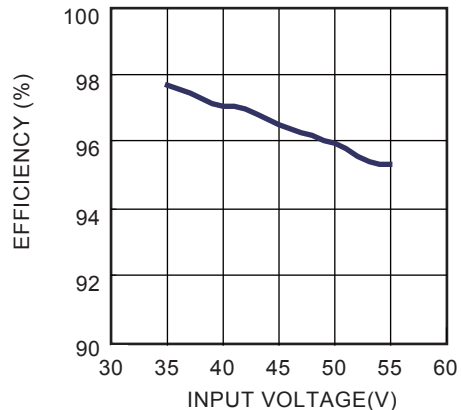
EV2488DN-00A EVALUATION BOARD



(L x W x H) 2" x 1.8" x 0.4"
5.3cm x 4.6cm x 1.0cm

Board Number	MPS IC Number
EV2488DN-00A	MP2488DN

Efficiency vs. Input voltage
10 WLED@330mA



PRINTED CIRCUIT BOARD LAYOUT

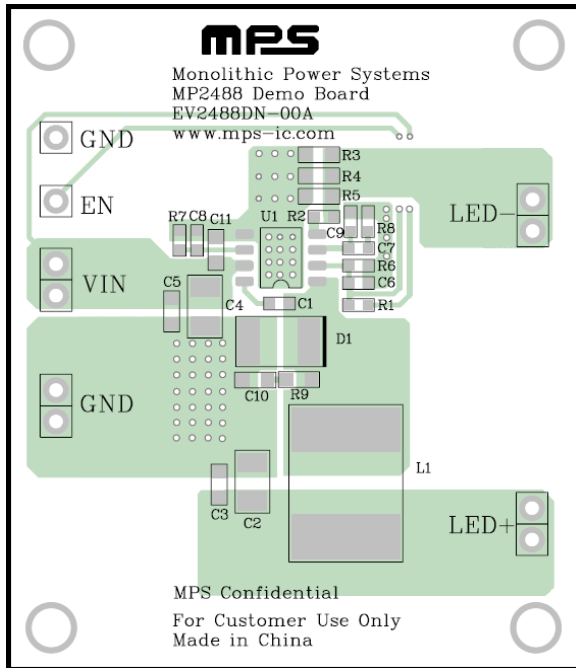


Figure 1—Top Layer

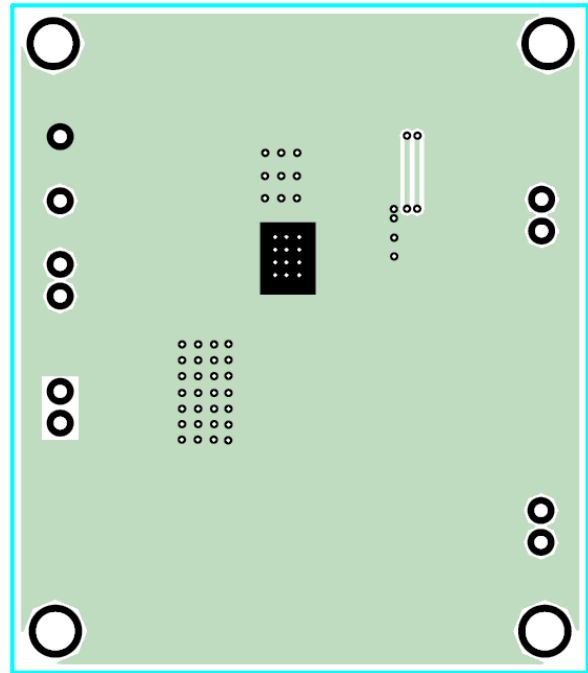


Figure 2—Bottom Layer