

## DESCRIPTION

The MP2681B is a highly integrated Li-ion or Li-polymer switch-mode battery-charge controller with full protection and status indication. This part integrates a precision voltage reference and charge status indications suitable for AC adapter input and cradle charger applications.

The MP2681B detects automatically the battery cell through a battery ID resistor and regulates the battery voltage according to the corresponding cell configurations: 3S, 4S, and 5S. Then, the AC adapter output is regulated automatically according to the chosen battery configuration. Additionally, if the battery pack does not have an ID resistor, the charge termination voltage can be configured by setting a dedicated voltage to the ID pin, according to the pre-set VID values representing the battery configuration. The MP2681B charges the battery in three phases: pre-charge, constant current and constant voltage. Charge is terminated when the current reaches a minimum set level. An internal charge timer provides safety back-up. The MP2681B provides a fixed pre-charge mode for deeply-discharged batteries and safety features that include battery temperature monitoring, NTC control, charge time-out, and fault control.

## ELECTRICAL SPECIFICATION

Parameter	Symbol	Value	Units
Input Voltage	V <sub>ACIN</sub>	85V-220V	V
Battery Voltage	V <sub>BATT</sub>	0 to 21	V
VDD Voltage	V <sub>SYS</sub>	5 to 30	V
Charge Current	I <sub>CHG</sub>	0-4	A

## FEATURES

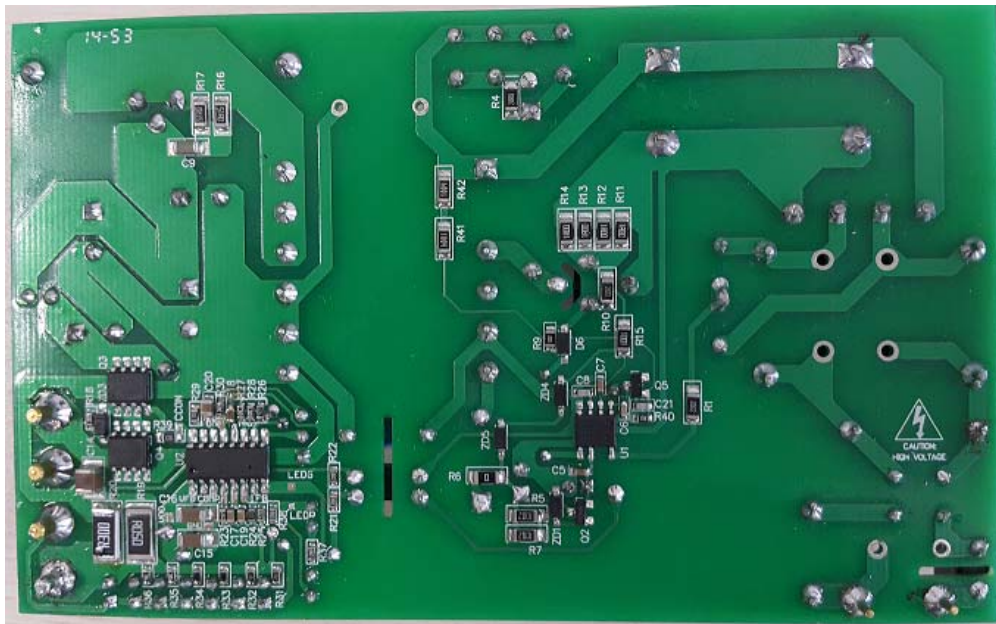
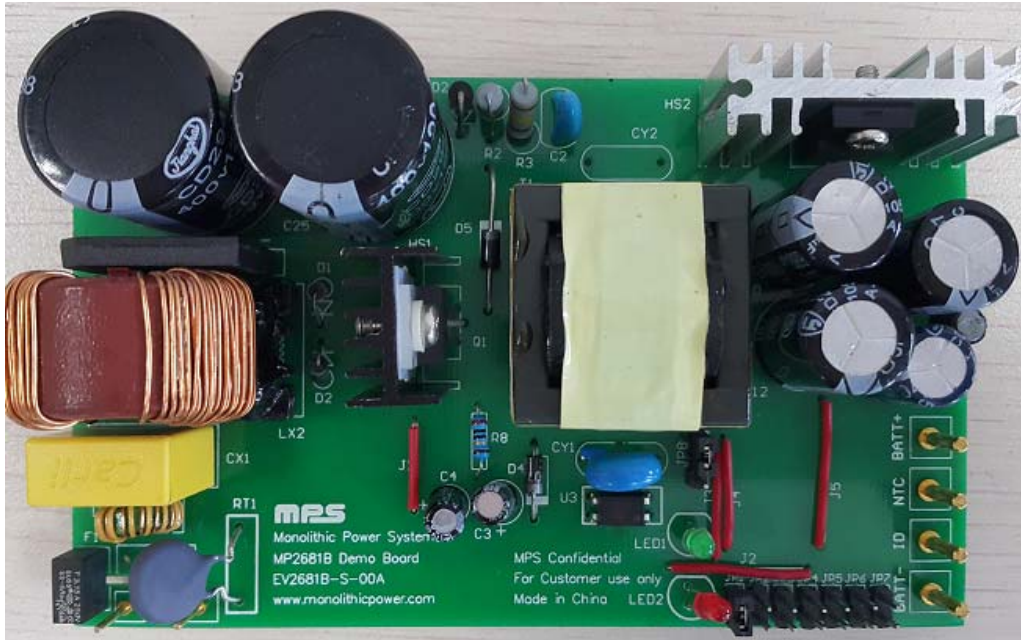
- Constant Voltage and Constant Current Control
- Pre-Charge Mode for Deep-discharged Battery
- Automatic Battery Cell Detection
- Two 1MHz Bandwidth Operational Amplifier Output Connected with OR Logic
- Wide Input Voltage Range: 5V to 30V
- Auto-Recharge
- Charge On/Off Control
- Programmable Internal Timer
- Battery Temperature Monitoring
- Charge Status Indication
- Power Line Fault Detection
- Over Temperature Protection

## APPLICATIONS

- Battery Charger for Portable Tools
- Standalone Fast Charger

All MPS parts are lead-free, halogen free, and adhere to the RoHS directive. For MPS green status, please visit MPS website under Quality Assurance. "MPS" and "The Future of Analog IC Technology" are Registered Trademarks of Monolithic Power Systems, Inc.

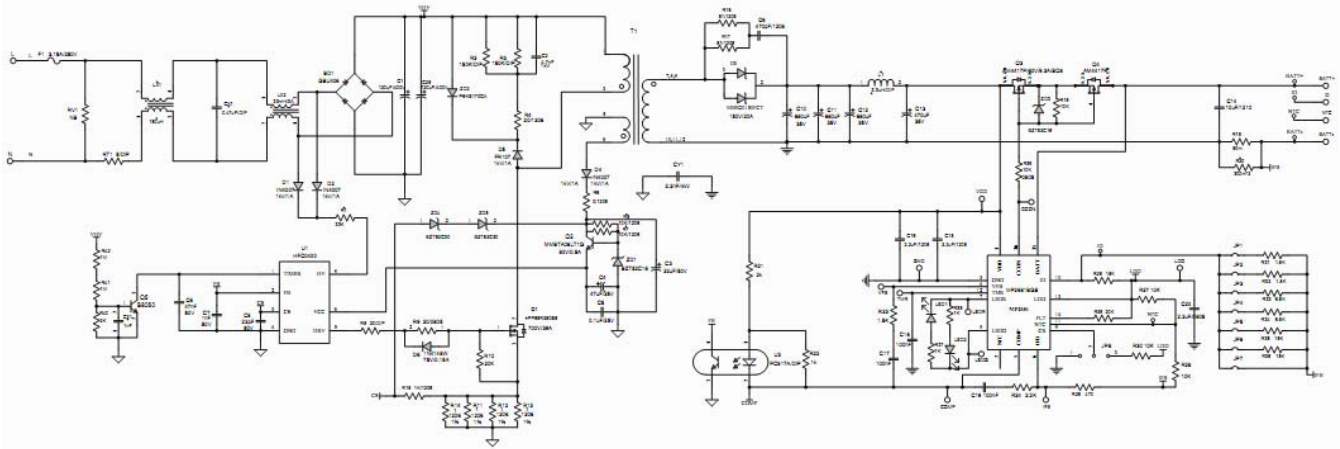
**EV2681B-S-00A EVALUATION BOARD**



(L x W x H)  
(12.2cm x 7.5cm x 0.16cm)

Board Number	MPS IC Number
EV2681B-S-00A	MP2681B

## EVALUATION BOARD SCHEMATIC



**EV2681B-S-00A BILL OF MATERIALS**

Qty	RefDes	Value	Description	Package	Manufacturer	Manufacturer_P/N
1	BD1	GBU406	Diode;600V;4A	DIP	Diodes	GBU406
2	C1,C25	120 $\mu$ F	Electrolytic Capacitor; 400V;Electrolytic;	DIP	Jianghai	
1	C2	4.7nF	High Voltage Capacitor;1000V	DIP	any	any
1	C3	22 $\mu$ F	Capacitor;50V	DIP	Rubycon	50YXM22MEFC5*11
1	C4	47 $\mu$ F	Electrolytic Capacitor; 25V;Electrolytic;	DIP	Jianghai	CD28L-25V47
1	C5	0.1 $\mu$ F	Ceramic Capacitor; 25V;X7R;	0603	Yageo	CC0603KRX7R8BB104
1	C6	47nF	Ceramic Capacitor; 50V;X7R;	0603	muRata	GRM188R71H473KA61D
1	C7	1nF	Ceramic Capacitor; 50V;X7R;	0603	muRata	GRM188R71H102KA01D
1	C8	22pF	Ceramic Capacitor; 50V;C0G;	0603	muRata	GRM1885C1H220JA01D
1	C9	470pF	Ceramic Capacitor; 1000V;U2J;	1206	muRata	GRM31B7U3A471JW31L
3	C10, C11, C12	680 $\mu$ F	Electrolytic Capacitor; 35V;Electrolytic;	DIP	Jianghai	CD287-35V680
1	C13	470 $\mu$ F	Electrolytic Capacitor; 35V;Electrolytic	DIP	Jianghai	CD263-35V470
1	C14	10 $\mu$ F	Ceramic Capacitor; 50V;X7R	1210	Murata	GRM32ER71H106KA12L
2	C15, C16	2.2 $\mu$ F	Ceramic Capacitor; 50V;X7R;	1206	muRata	GRM31CR71H225KA88L
3	C17, C18, C19	100nF	Ceramic Capacitor; 50V;X7R;	0603	muRata	GRM188R71H104KA93D
1	C20	2.2 $\mu$ F	Ceramic Capacitor; 16V;X7R;	0805	TDK	C2012X7R1C225K
1	C21	1nF	Ceramic Capacitor; 50V;C0G;	0603	muRata	GRM1885C1H102JA01D
1	CX1	0.47 $\mu$ F	Film Capacitor; 275V;10%	DIP	Caili	PX474K3ID42L270D9R
1	CY1	2.2nF	Capacitor;4000V;20%	DIP	Hongke	JN12E222MY02N
3	D1, D2, D4	1N4007	Diode;1000V;1A	DO-41	Diodes	1N4007
1	D3	MBR2015 0FCT	Diode;150V;20A	TO- 220AB	Xutong	MBR20150FCT
1	D5	FR107	Diode;1000V;1A	DO-41	Diodes	FR107
1	D6	1N4148W	Diode;75V;0.15A;	SOD- 123	Diodes	1N4148W
1	F1	SS-5- 3.15A	Fuse;250V;3.15A	DIP	COOPER BUSSMANN	SS-5-3.15A
1	L1	3.3 $\mu$ H	Inductor;3.3 $\mu$ H;25m;4A	DIP	Würth	7447462033
1	LED1	LED	Green LED;	DIP		F3D02HG-1A
1	LED2	LED	Red LED;	DIP		F3D02R-4A

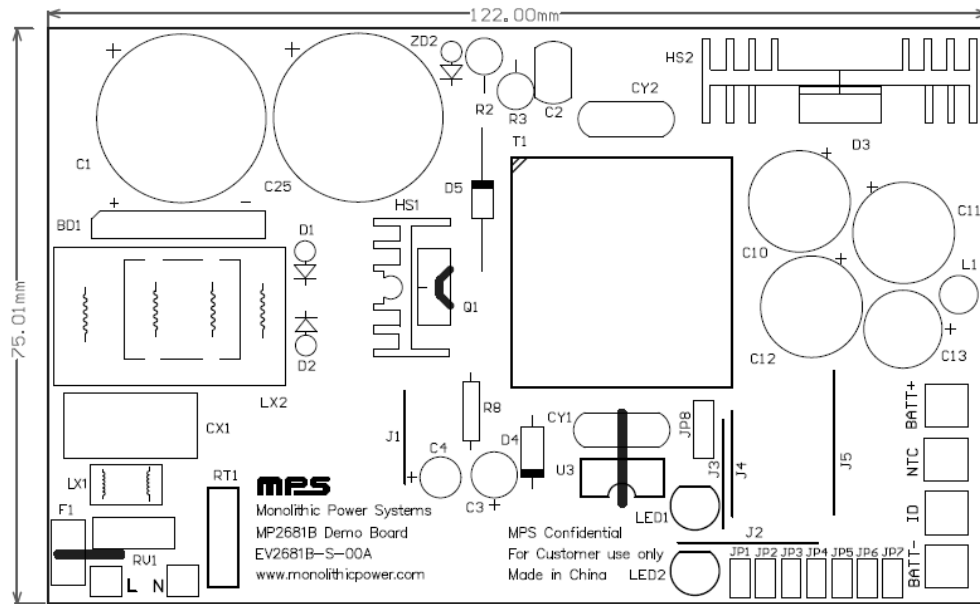
**EV2681B-S-00A BILL OF MATERIALS (continued)**

Qty	RefDes	Value	Description	Package	Manufacturer	Manufacturer_P/N
1	LX1	150µH	Inductor;150µH; 45m; 3A	DIP	Emei	TP4U150-00
1	LX2	33mH	Inductor;33mH; 210m;3A	DIP	Wurth	744825433
1	Q1	IPP65R28 0E6	Mosfet;700V; 0.28/10V;45;39	TO220		IPP65R280E6
1	Q2	MMBTA06 LT1G	Transistor;80V;0.5A;	SOT-23	Diodes	MMBTA06LT1G
2	Q3, Q4	AM4417P	P-Channel Mosfet;- 60V;23;46;9.3	SO-8	Analog Power	AM4417P
1	Q5	S8050	Transistor;25V;0.5A;	SOT-23	Changdian	S8050
1	R1	33kΩ	Resistor;5%;1/4W	1206	Royalohm	1206F3302T5E
2	R2, R3	150kΩ	Resistor;5%;1W	DIP	any	any
1	R4	20Ω	Film Resistor;5%;1/4	1206		1206J0200T5E
2	R5,R7	10kΩ	Film Resistor;1%	1206	Yageo	RC1206FR-0710K
2	R6	0Ω	Resistor;1%; 1/4W;1206	1206	Yageo	RC1206FR-070RL
1	R8	20Ω	Resistor;1%;1/4W	DIP	any	any
1	R9	20Ω	Resistor;5%;1/8W;	0805	Yageo	RC0805JR-0720RL
1	R10	20kΩ	Film Resistor;5%;1/4W	1206	LIZ	CR1206J40203G
4	R11,R12, R13, R14	1Ω	Film Resistor;1%	1206	Yageo	RC1206FR-071RL
1	R15	1kΩ	Resistor;1%	1206	Yageo	RC1206FR-071KL
2	R16, R17	51Ω	Resistor;1%	1206	Yageo	RC1206JR-0751RL
4	R18,R27, R28, R30	10kΩ	Film Resistor;1%;	0603	Yageo	RC0603FR-0710KL
1	R19	50mΩ	Film Resistor;1%;	2512	Yageo	RL2512FK-070R05L
2	R20	300mΩ*2	Resistor;1%	2512	Yageo	RL2512FK-070R3L
2	R21,R40	2kΩ	Resistor;1%	0603	Yageo	RC0603FR-072KL
1	R22	1kΩ	Film Resistor;1%	0603	Yageo	RC0603FR-071KL
1	R23	1.5kΩ	Film Resistor;1%;	0603	Yageo	RC0603FR-071K5L
1	R24	2.2kΩ	Film Resistor;1%;	0603	Yageo	RC0603FR-072K2L
1	R25	470	Film Resistor;1%;	0603	Yageo	RC0603FR-07470RL
2	R26	18kΩ	Resistor;1%;1/10W;	0603	Yageo	RC'0603FR-0718KL
1	R29	20kΩ	Resistor;1%;1/10W;	0603	Royalohm	0603F2002T5E
2	R31,R32	1.8kΩ	Film Resistor;5%	0603	LIZ	CR0603JA0182G
2	R33,R34	6.8kΩ	Film Resistor;1%;	0603	Yageo	RC0603FR-076K8L
2	R35,R36	15kΩ	Film Resistor;1%;	0603	Yageo	RC0603FR-0715KL
2	R37, R38	1kΩ	Resistor;1%;	0603	Royalohm	0603F1001T5E
1	R39	10kΩ	Film Resistor;5%;	0805	Yageo	RC0805JR-0710KL
2	R41, R42	1M	Film Resistor;1%;	1206	Yageo	RC1206FR-071ML
1	RT1	5Ω	Resistor	DIP	Xinshun	5D2-10LC
1	T1	434µH	EER28,Np:Np_aux:Ns =57:29:12	DIP	Emei	FX0370
1	U1	HFC0400	Offline Regulator	SOIC8-7	MPS	HFC0400HS

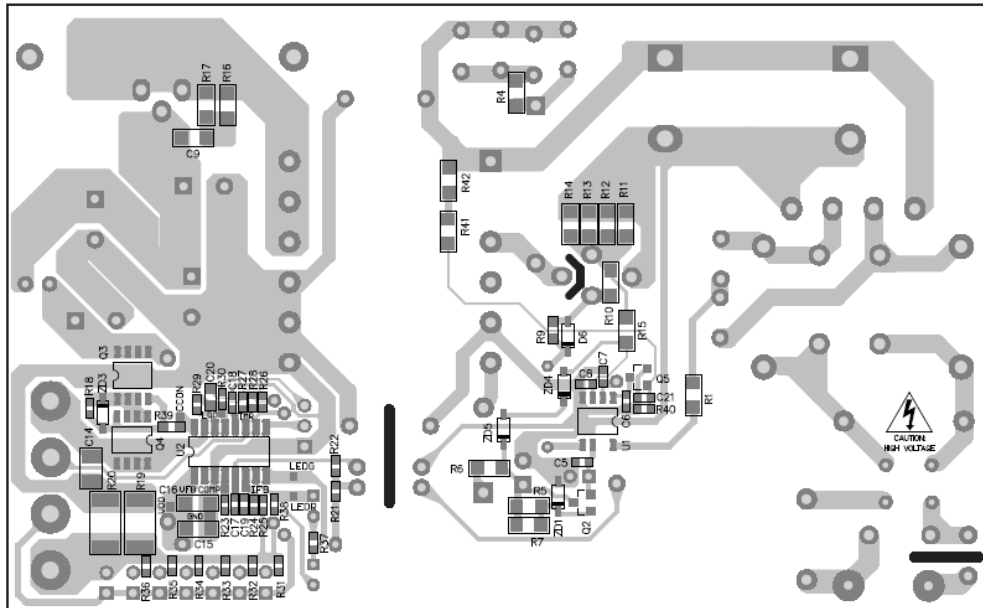
**EV2681B-S-00A BILL OF MATERIALS** *(continued)*

Qty	RefDes	Value	Description	Package	Manufacturer	Manufacturer_P/N
1	U2	MP2681B	CC/CV Controller	SOIC16	MPS	MP2681BGS
1	U3	PC817A	Photocoupler;1-Channel	DIP	Sharp	PC817A
2	ZD1, ZD3	BZT52C16	Zener Diode; 16V;5mA/500mW;	SOD-123	Diodes	BZT52C16
1	ZD2	P6KE170CA	Diode;145V;1mA	DO-15	Brightking	P6KE170CA
2	ZD4, ZD5	BZT52C30	Zener Diode;30V;2mA/500mW;	SOD-123	Diodes	BZT52C30
4	BATT+, BATT-, ID, NTC		2.0 公针	{Package}		
2	L, N		1.0 公针	{Package}		

**PRINTED CIRCUIT BOARD LAYOUT**



**Figure 1—Top Silk Layer**



**Figure 2—Bottom Layer**