

DESCRIPTION

The EV3394S-S-00A is an evaluation board for the MP3394SGS, a step-up converter designed for liquid-crystal displays that employ an array of LEDs as the light source. It can drive up to 4 strings LEDs in parallel with 200mA/string maximum current.

The MP3394S uses external power MOSFET and internal current mode, fixed frequency architecture and includes current ballast in each string terminal, which achieves 2.5% current regulation accuracy between strings. Low feedback voltage at each LED string help reduce power loss and improve efficiency.

The MP3394S has multiple features to protect the converter from fault conditions, including under-voltage lockout, current limiting, over voltage, short LED, open LED and thermal shut-down protection.

ELECTRICAL SPECIFICATIONS

Parameter	Symbol	Value	Units
Input Voltage	V_{IN}	8 – 28	V
LEDs #		4 LED string 12 LEDs/string	
LED Current	I_{LED}	120/string	mA

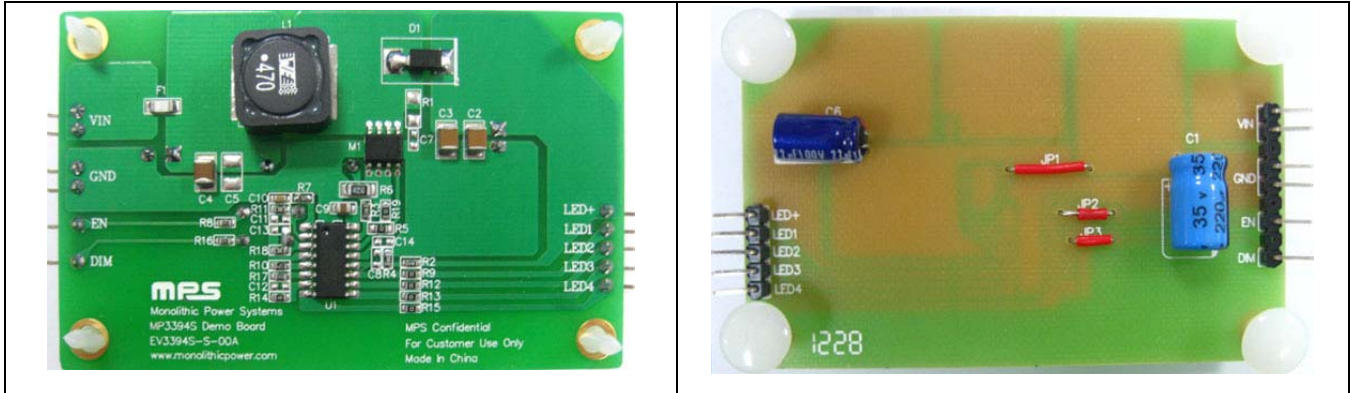
FEATURES

- 4 String, Max 200mA/String WLED Driver
- 8V to 28V Input Voltage Range
- 2.5% Current Matching Accuracy Between Strings
- Programmable Switching Frequency
- PWM or DC Input Burst PWM Dimming
- Open and Short LED Protection
- Programmable Over-Voltage Protection
- Cascading Capability with a Single Power Source
- Under Voltage Lockout
- Thermal Shutdown

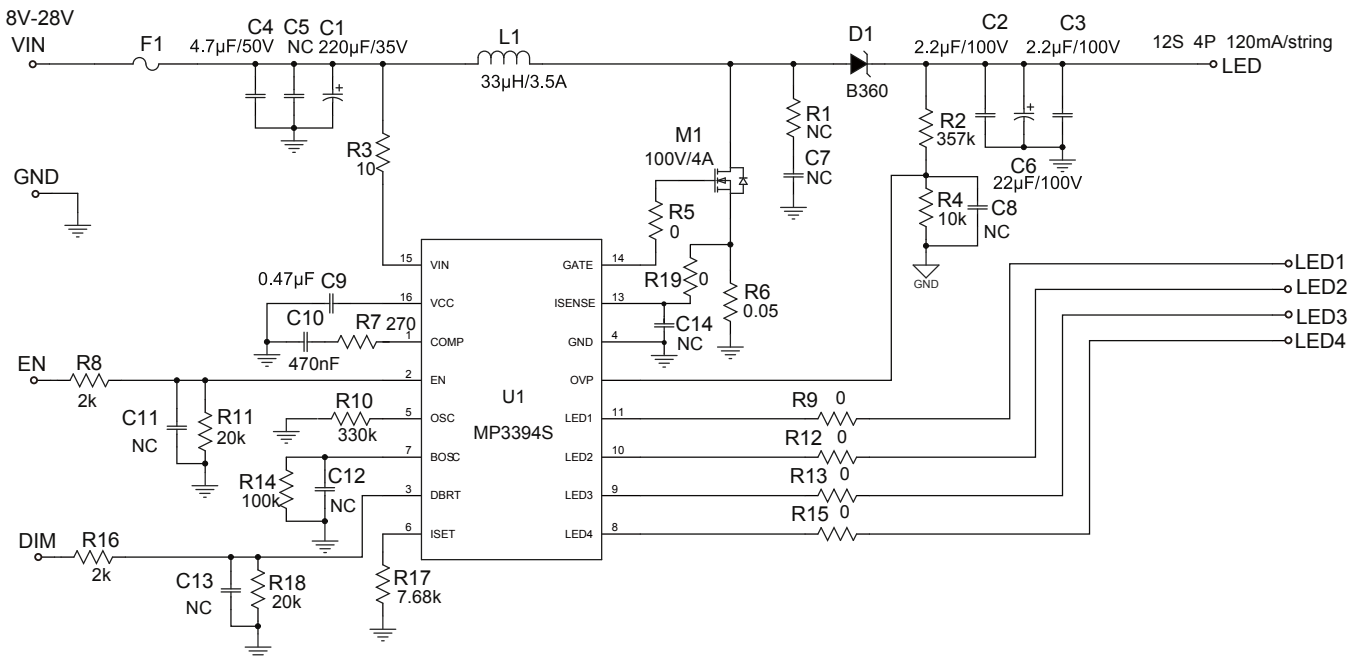
APPLICATIONS

- Notebook PC
- LCD Monitor
- LCD TV
- Handy Terminals Display
- Automotive Systems and Tablet Computer

All MPS parts are lead-free and adhere to the RoHS directive. For MPS green status, please visit MPS website under Quality Assurance. "MPS" and "The Future of Analog IC Technology" are Registered Trademarks of Monolithic Power Systems, Inc.

EV3394S-S-00A EVALUATION BOARD

(L x W x H) 7.8cm x 4.9cm x 1.0cm

Board Number	MPS IC Number
EV3394S-S-00A	MP3394SGS

EVALUATION BOARD SCHEMATIC


EV3394S-S-00A BILL OF MATERIALS

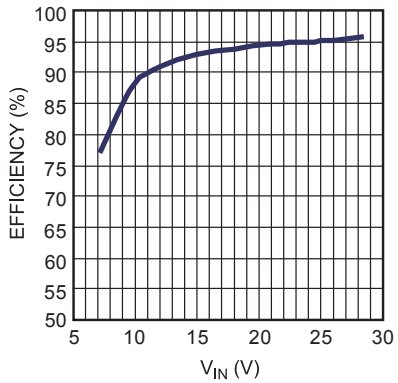
Qty	Ref	Value	Description	Package	Manufacturer	Part Number
1	C11	220 μ F	Electrolytic Capacitor, 35V			
2	C2,C3	2.2 μ F	Ceramic Capacitor, 100V, X7R	1210	Murata	GRM32ER71H225KA88L
1	C4	4.7 μ F	Ceramic Capacitor, 50V, X7R	1210	Murata	GRM32ER71H475KA88L
1	C5	NC		1210		
1	C6	22 μ F	Electrolytic Capacitor, 100V			
6	C7,C8, C11~C14	NC		0603		
1	C9	0.47 μ F	Ceramic Capacitor, 50V, X7R	0603	Murata	GRM1885C1H474JA01D
1	C10	470nF	Ceramic Capacitor, 50V, X7R	0603	Murata	GRM188R71H474KA93D
1	D1		Diode Schottky, 60V, 3A	SMA	Diodes Inc	B360
1	F1	0 Ω	Fuse, 2A, 63V	1206	Cooper	3216FF2-R
1	L1	33 μ H	Inductor, 3.5A	SMD		
		47 μ H	Inductor, 3.5A	SMD		
1	M1		N- channel MOSFET	SO8		AM4490N
1	R1	NC		0603		
1	R2	357k Ω	Resistor, 1%	0603	Yageo	RC0603FR-07357KL
1	R3	10 Ω	Resistor, 1%	0603	Yageo	RC0603FR-0710RL
1	R4	10k Ω	Resistor, 1%	0603	Yageo	RC0603FR-0710KL
6	R5, R9, R12,R13, R15,R19	0 Ω	Resistor, 1%	0603	Yageo	
1	R6	0.05 Ω	Current Resistor, 1%	1206		
1	R7	270 Ω	Resistor, 1%	0603	Yageo	RC0603FR07270RL
2	R8, R16	2k Ω	Resistor, 1%	0603	Yageo	RC0603FR-072KL
1	R10	330k Ω	Resistor, 1%	0603	Yageo	RC0603FR-07330KL
2	R11, R18	20k Ω	Resistor, 1%	0603	Yageo	RC0603FR-0720KL
1	R14	100k Ω	Resistor, 1%	0603	Yageo	RC0603FR-07100KL
1	R17	7.68k Ω	Resistor, 1%	0603	Yageo	RC0603FR-077K68L
1	U1		LED Driver IC	SOIC16	MPS	MP3394SGS

EVB TEST RESULTS

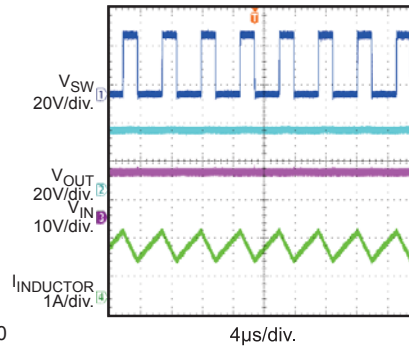
Performance waveforms are tested on the evaluation board.

$V_{IN} = 12V$, 10LEDs in series 4 strings, 120mA/string, unless otherwise noted.

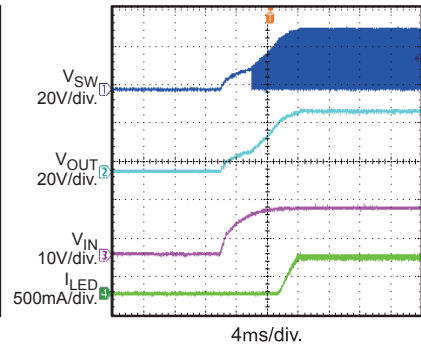
Efficiency vs. V_{IN}



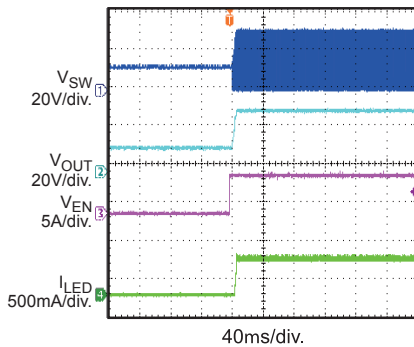
Steady State



V_{IN} Power On

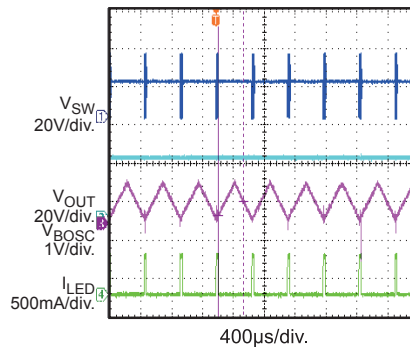


EN Power On



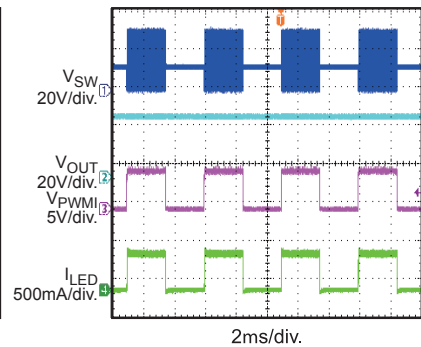
DC Burst Dimming

$V_{DIM} = 0.3V$, $C_{BOSC} = 1.5nF$



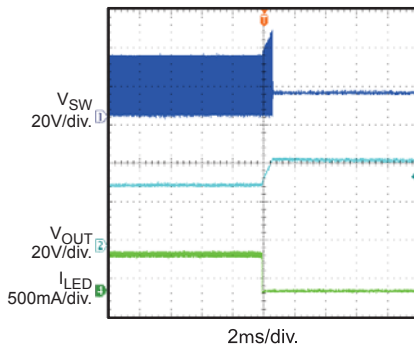
External PWM Dimming

$f_{PWM} = 200Hz$, $D_{PWM} = 50\%$



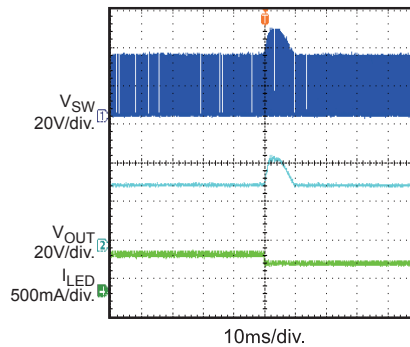
Open LED Protection

Open all LED string at working



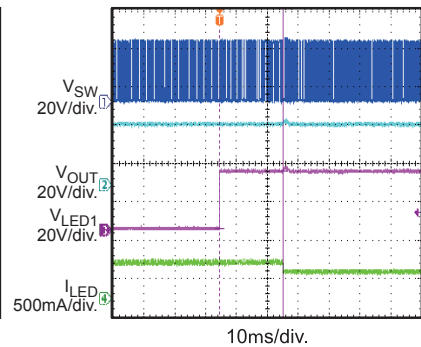
Open LED Protection

Open one LED string at working



Short LED Protection

Short V_{OUT} to LEDx at working



PRINTED CIRCUIT BOARD LAYOUT

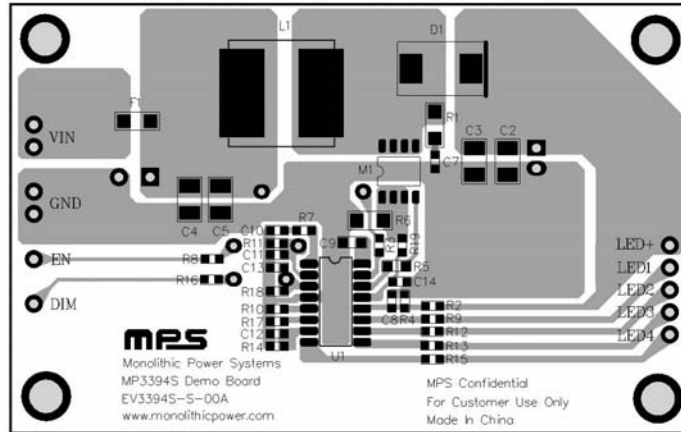


Figure 1—Top Layer

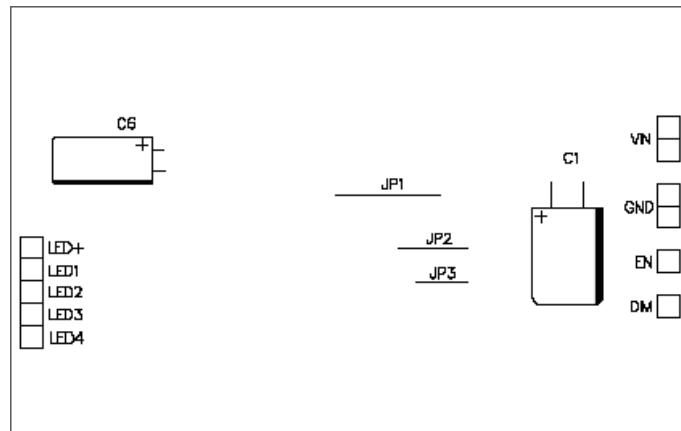


Figure 2—Bottom Layer