

## DESCRIPTION

The MP3425 is a current mode step-up converter with a 3.5A, 90mΩ internal switch to provide a highly efficient regulator with fast response. The MP3425 operates at a programmed fix frequency up to 2MHz allowing for easy filtering and low noise. An external compensation pin gives the user flexibility in setting loop dynamics, which allows the use of small, low-ESR ceramic output capacitors. Soft-start results in small inrush current and can be programmed with an external capacitor. The MP3425 operates from an input voltage as low as 3.0V and can generate 48V at up to 350mA from a 12V supply.

The MP3425 includes under-voltage lockout, current limiting and thermal overload protection to prevent damage in the event of an output overload. The MP3425 is available in a low profile 14-pin QFN package with exposed pad.

## ELECTRICAL SPECIFICATIONS

Parameter	Symbol	Value	Units
Input Voltage	$V_{IN}$	10 – 22	V
Output Voltage	$V_{OUT}$	48	V
Output Current	$I_{OUT}$	350	mA

## FEATURES

- 3.5A, 90mΩ, 55V Power MOSFET
- Uses Tiny Capacitors and Inductors
- Wide input range: 3V to 22V
- Output Voltage as High as 55V
- Programmable  $F_{SW}$ : 300kHz – 2 MHz
- Programmable UVLO, Soft-Start
- Micro power shutdown :  $I_q < 1\mu A$
- Thermal Shutdown 150 Deg C
- Available in an 8-Pin SOIC and 14-Pin QFN Package with Exposed Pad

## APPLICATIONS

- Audio - Microphone and Tuner Bias
- Telecom – Power Supply
- Automotive – Battery Charger

"MPS" and "The Future of Analog IC Technology" are Registered Trademarks of Monolithic Power Systems, Inc.

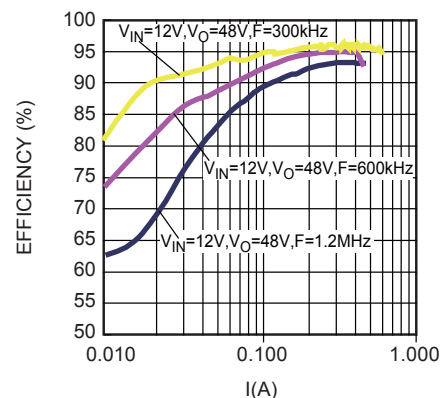
## EV3425DL-00A EVALUATION BOARD



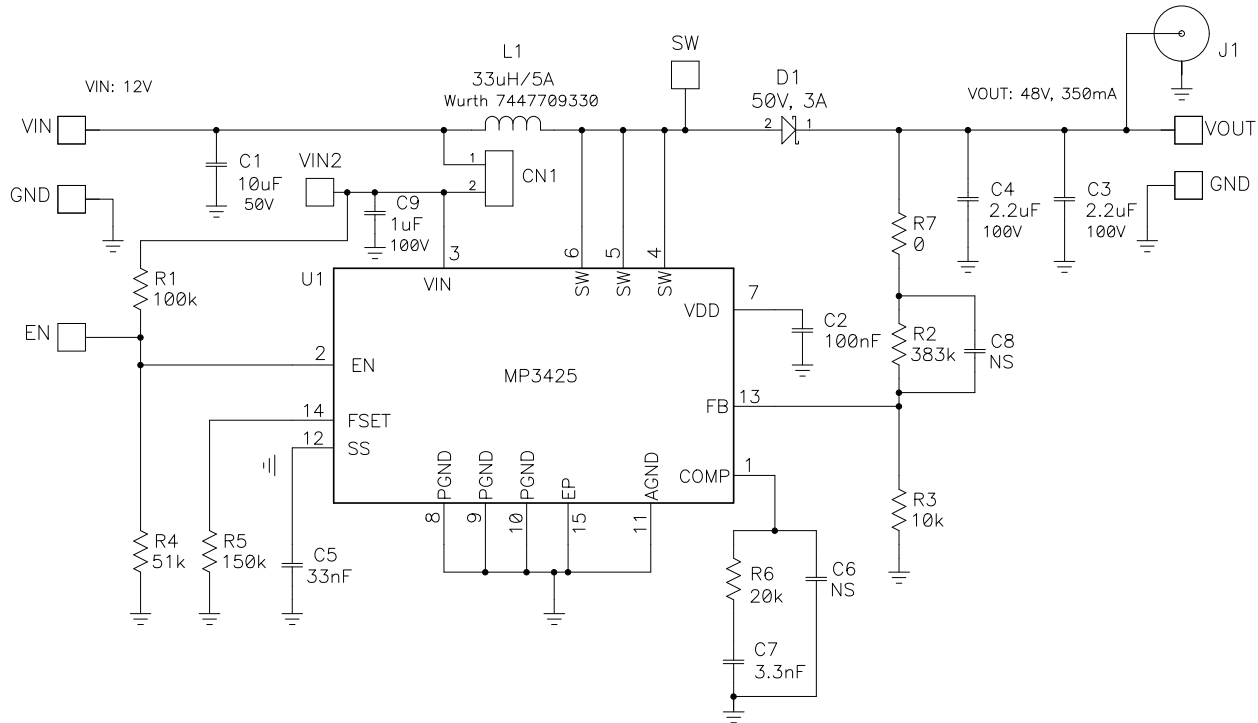
LxW (2.5" X 2.5")

Board Number	IC Number
EV3425DL-00A	MP3425DL

## Efficiency



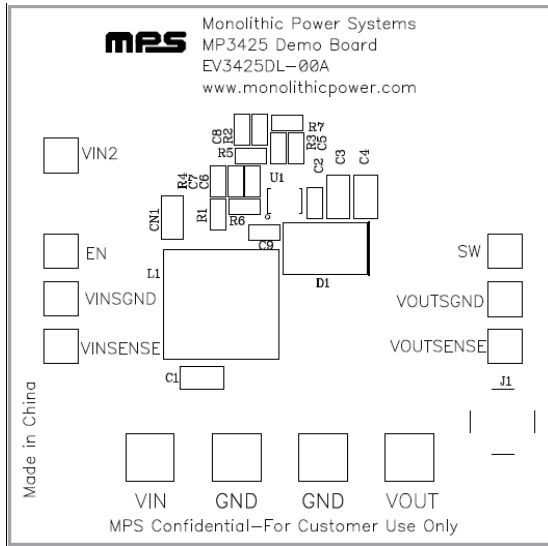
## EVALUATION BOARD SCHEMATIC



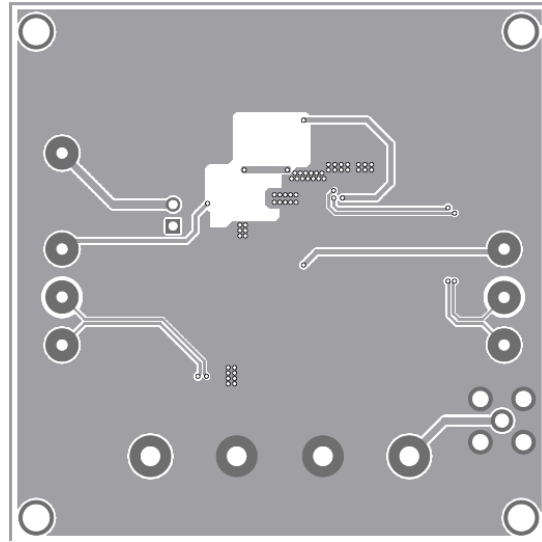
## EV3425DL-00A BILL OF MATERIALS

Qty	Ref	Value	Description	Package	Manufacturer	Manufacturer P/N
1	C1	10uF	Ceramic Cap., 50V, 10%, X5R	1210	Taiyo Yuden	UMK325BJ106KM-T
1	C2	100nF	Ceramic Cap., 50V, 10%, X7R	0805	muRata	GRM21BR71H104K
2	C3,C4	2.2uF	Ceramic Cap., 100V, 10%, X7R	1210	muRata	GRM32ER72A225K
1	C5	33nF	Ceramic Cap., 50V, 10%, X7R	0805	muRata	GRM219R71H333K
0	C6,C8	NS		0805		
1	C7	3.3nF	Ceramic Cap., 50V, 5%, C0G	0805	muRata	GRM2165C1H332J
1	C9	1uF	Ceramic Cap., 50V, 10%, X5R	0805	muRata	GRM21BR71H105K
1	CN1		2 Pin Header, 2.54mm	2.54mm	Sullins	PCC02SAAN
1	CN1	SHUNT	Short Jumper, 2.54mm	2.54mm	Sullins	STC02SYAN
1	D1		Diode, 50V, 3A	SMC	Diodes Inc.,	B350-13-F
0	J1	NS				
1	L1	33uH/5A	Inductor, I <sub>dc</sub> 4.2A, R <sub>dc</sub> 36.8mΩ	12x12mm	Würth	7447709330
1	R1	100k	Film Res., 5%	0805	Yageo	RC0805JR-07100KL
1	R2	383k	Film Res., 1%	0805	Yageo	RC0805FR-07383KL
1	R3	10.0k	Film Res., 1%	0805	Yageo	RC0805FR-0710KL
1	R4	51k	Film Res., 5%	0805	Yageo	RC0805JR-0751KL
1	R5	150k	Film Res., 5%	0805	Yageo	RC0805JR-07150KL
1	R6	20k	Film Res., 5%	0805	Yageo	RC0805JR-0720KL
1	R7	0Ω	Film Res., 5%	0805	Yageo	RC0805JR-070RL
1	U1		Boost Converter	QFN14, 3x4mm	MPS	MP3425DL-R1

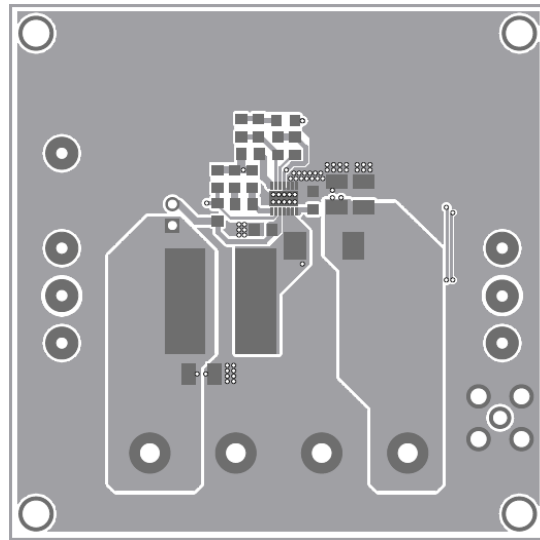
## PRINTED CIRCUIT BOARD LAYOUT



Top Silk Layer



Bottom Layer



Top Layer