



The Future of Analog IC Technology®

EV3900DK-00F

High Efficiency Boost Controller EV Board

DESCRIPTION

The EV3900DK-00F is an evaluation board for the MP3900DK. It is configured to provide a regulated 25V output at up to 2A load current from a 12V input. The output is adjustable by changing feedback resistors on the evaluation board. MOSFET $R_{ds,on}$ can be directly used for current sense purpose without an external sense resistor.

Although the demo board uses the external 20mΩ to sense the current, it also provides the stuffing option for users who want to use the $R_{DS(ON)}$ as the sense element.

ELECTRICAL SPECIFICATIONS

Parameter	Symbol	Value	Units
Input voltage	V_{IN}	10~20	V
Input current	I_{IN}	0~6	A
Output voltage	V_O	25	V
Output Current	I_o	2	A

FEATURES

- Current Mode Control
- Undervoltage Lockout
- Cycle-by-Cycle Current Limiting
- Lossless Current Sense ($V_{ISENSE} < 30V$)
- 10μA Shutdown Current
- 180μA Quiescent Current
- 330KHz Constant Frequency Operation

APPLICATIONS

- TV CCFL Power Generation
- Telecom Isolated Power
- Brick Modules

"MPS" and "The Future of Analog IC Technology" are Registered Trademarks of Monolithic Power Systems, Inc.

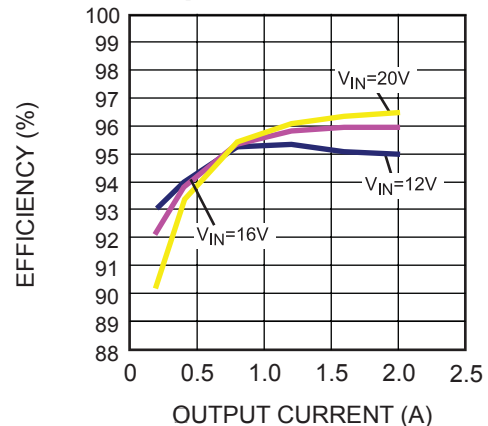
EV3900DK-00F EVALUATION BOARD



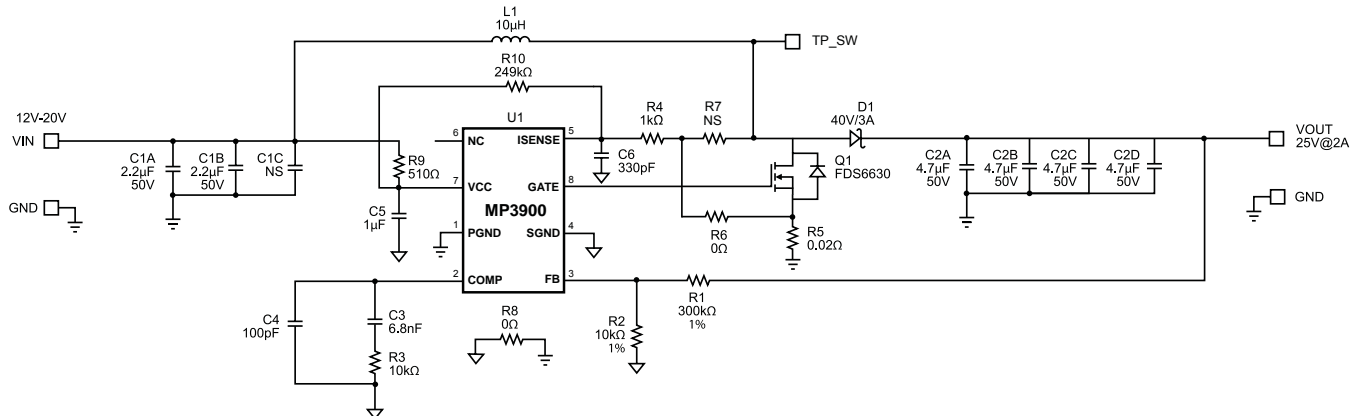
(L x W x H) 1.8" x 1.8" x 0.4"
4.6cm x 4.6cm x 1.0cm

Board Number	MPS IC Number
EV3900DK-00F	MP3900DK

Efficiency vs. Output Current



EVALUATION BOARD SCHEMATIC



EV3900DK-00F BILL OF MATERIALS

Qty	Ref	Value	Description	Package	Manufacturer	Manufacturer P/N
2	C1A, C1B	2.2uF	Ceramic Cap., 50V, X7R	1210	TDK	C3225X7R1H225K
1	C1C	NS	Not Stuffed			
4	C2A, C2B, C2C, C2D	4.7uF	Ceramic Cap., 50V, X7R	1210	muRata	GRM32ER71H475KA8 8L
1	C3	6.8nF	Ceramic Cap., 50V, X7R	0603	TDK	C1608X7R1H682K
1	C4	100pF	Ceramic Cap., 50V, X7R	0603	TDK	C1608X7R1H101K
1	C5	1uF	Ceramic Cap., 16V, X7R	0603	TDK	C1608X7R1C105K
1	C6	330p	Ceramic Cap., 50V, X7R	0603	TDK	C1608X7R1H331K
1	D1	MBRA340T3	Diode Schottky, 40V, 3A	SMA	ON Semiconductor	MBRA340T3
1	Q1	FDS6630	MOSFET, N-CH, 30V, 6.5A	SO-8	Fairchild	FDS6630
1	L1	10uH	Inductor, 6.2A	SMD	Würth	74477010
1	R1	300kΩ	Film Res., 1%	0603	Yageo	RC0603FR-07300KL
2	R2, R3	10kΩ	Film Res., 1%	0603	Yageo	RC0603FR-0710KL
1	R4	1kΩ	Film Res., 1%	0603	Yageo	RC0603FR-071KL
2	R6, R8	0Ω	Film Res., 5%	0603	Yageo	RC0603JR-070RL
1	R5	0.020Ω	Strip Res., 5%	1206	CYNTEC	RL1632H-R020-FN
1	R7	NS	Not Stuffed			
1	R9	510Ω	Film Res., 5%	0805	Yageo	RC0805JR-07510RL
1	R10	249kΩ	Film Res., 1%	0603	Yageo	RC0603FR-07249KL
1	U1		DC-DC Converter	MSOP8	Monolithic Power Systems	MP3900DK-LF

PRINTED CIRCUIT BOARD LAYOUT

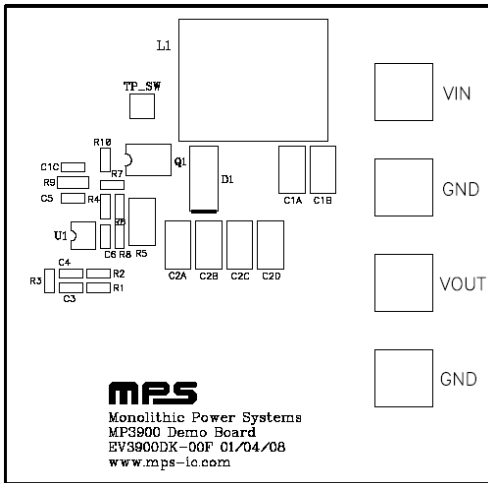


Figure 1—Top Silk Layer

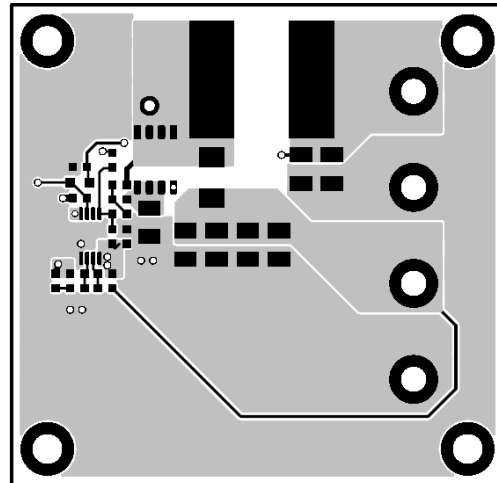


Figure 2—Top Layer

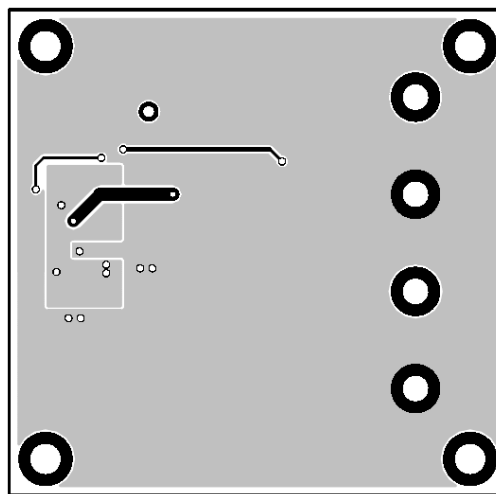


Figure 3—Bottom Layer