



The Future of Analog IC Technology®

EV5022A-QV-00A

16V, 12A, 3mΩ R_{DS_ON} Hot Swap Protection Device With Current Monitoring

DESCRIPTION

The MP5022A is a hot-swap protection device designed to protect circuitry on its output from transients on its input. It also protects its input from undesired shorts and transients coming from its output.

An internal charge pump drives the gate of the power device, allowing for a power FET with a very low ON resistance of 3mΩ. The MP5022A includes an optional discharge function that provides a discharge path for the external output capacitor when the part is disabled. Fault protection includes current limit, thermal shutdown and damaged MOSFET detection. The device also features over-voltage protection and under-voltage protection.

The MP5022A is available in 3mmx5mm QFN package.

ELECTRICAL SPECIFICATIONS

Parameter	Symbol	Value	Units
Input Voltage Range	V _{IN}	12	V
Output Voltage	V _{OUT}	12	V
Load Max	I _{OUT}	15	A

FEATURES

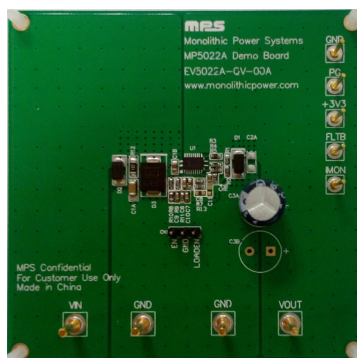
- 8V to 16V Operating Input Range
- Integrated 3mΩ Power FET
- Adjustable Current Limit
- Output Current Measurement
- +/-3% Current Limit and Monitor Accuracy
- Fast Response(<200ns) for Short Protection
- PG Detector and FLTB Indication
- PG Assert Low at VIN=0
- Damaged MOSFET Detection
- External Soft Start
- Programmable EN Blanking Time
- Under/Over Voltage Lockout
- Thermal Protection
- Small 3mmx5mm QFN Package

APPLICATIONS

- Hot Swap
- PC Cards
- Disk Drives
- Servers
- Networking
- Laptops

All MPS parts are lead-free and adhere to the RoHS directive. For MPS green status, please visit MPS website under Quality Assurance. "MPS" and "The Future of Analog IC Technology" are Registered Trademarks of Monolithic Power Systems, Inc.

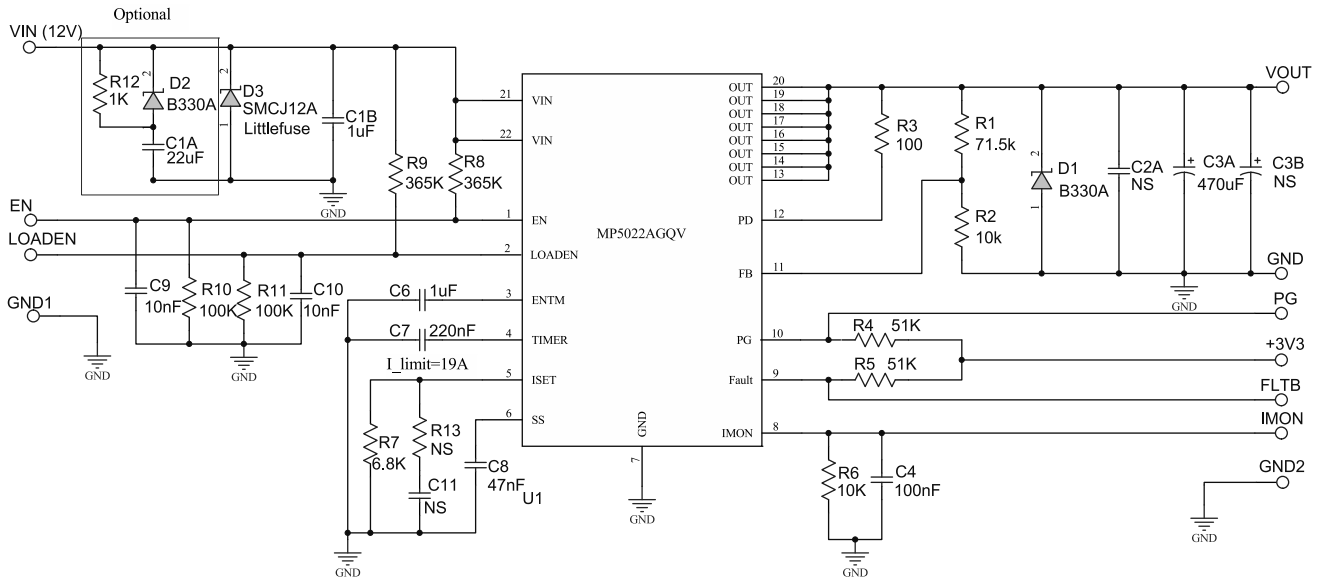
EV5022A-QV-00A EVALUATION BOARD



(L × W × H) 8.55cm × 8.55cm × 1.6mm

Board Number	MPS IC Number
EV5022A-QV-00A	MP5022AGQV

EVALUATION BOARD SCHEMATIC



EV5022A-QV-00A BILL OF MATERIALS

Qty	RefDes	Value	Description	Package	Manufacture	Manufacture P/N
1	C1A	22uF	Ceramic Cap.,25V, 10%, X5R	1206	muRata	GRM31CR61E227KE15
1	C1B	1uF	Ceramic Cap.,50V, 10%, X7R	0805	muRata	GRM21BR71H105KA12L
1	C3A	470uF	Electrolytic Cap., 35V	DIP	江海	CD263-35V470
1	C4	100nF	Ceramic Cap., 25V, 10%,X7R	0603	muRata	GRM188R71C104KA01D
1	C6	1uF	Ceramic Cap., 16V, 10%, X7R	0603	muRata	GRM188R71C105KA12D
1	C7	220nF	Ceramic Cap.,16V, 10%, X7R	0603	muRata	GRM188R71C224KA01D
1	C8	47nF	Ceramic Cap., 50V, 10%, X7R	0603	muRata	GRM188R71H473KA61D
2	C9, C10	10nF	Ceramic Cap., 50V, 10%, X7R	0603	muRata	GRM188R71E103JA01D
1	C11	NS				
2	D1,D2	B330A	Schottky Diodes, 30V, 3A	SMA	Diodes	B330A
1	D3	SMCJ12A	TVS Diode,12V	SMC	Littlefuse	SMCJ12A
1	R1	71.5k	Film Res., 1%	0603	Yageo	RC0603FR-0771K5L
2	R2,R6	10k	Film Res., 1%	0603	Yageo	RC0603FR-0710KL
1	R3	100	Film Res., 1%	0603	Yageo	RC0603FR-07100RL
2	R4,R5	51k	Film Res., 1%	0603	SYN- TECH	RC0603FR-0751KL
1	R7	6.8k	Film Res., 1%	0603	Yageo	RC0603FR-076K8L
2	R8, R9	365k	Film Res., 1%	0603	Yageo	RC0603FR-07365KL
2	R10, R11	100k	Film Res., 1%	0603	Yageo	RC0603FR-07100KL
1	R12	1k	Film Res., 1%	1206	Hottechohm	RI1206L1001FT
1	R13	NS				
1	U1	IC	Hot Swap Protection device	QFN22(3*5)	MPS	MP5022AGQV

PRINTED CIRCUIT BOARD LAYOUT

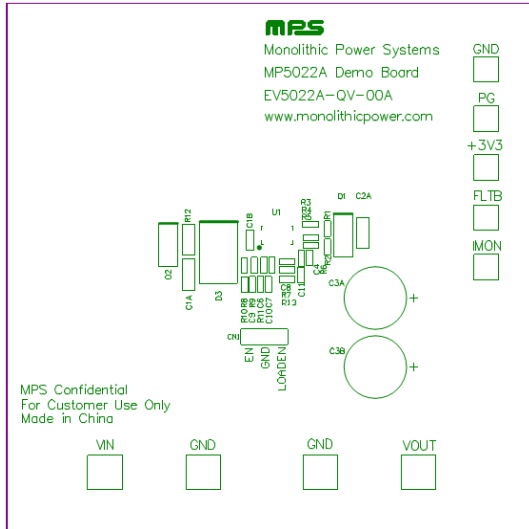


Figure 1—Top Silk Layer

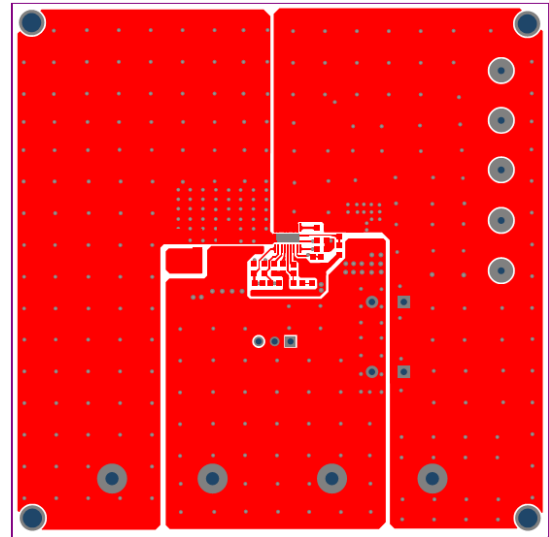


Figure 2—Top Layer

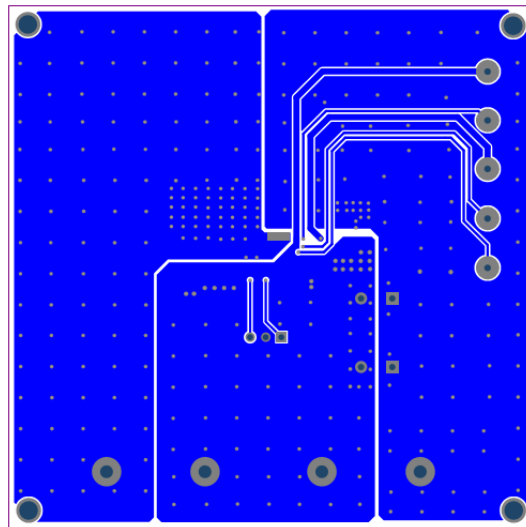


Figure 3—Bottom Layer