



EV6520-V-00A

32V, 1.5A, Bipolar Stepper Motor Driver Evaluation Board

DESCRIPTION

The EV6520-V-00A is an evaluation board for the MP6520GV, a stepper motor driver with a built-in microstepping translator.

The EV6520-V-00A operates from a supply voltage range of 8V to 32V, and can deliver motor current up to 1.5A. It can drive a bipolar stepper motor in full-, half-, quarter-, and eighth-step modes by setting MS2, MS1. The input control signals and reference voltage for the MP6520GV are applied through the connector or generated on board.

FEATURES

- Wide 8V to 32V Input Voltage Range
- Up to 1.5A Configurable Output Current
- Full-, Half-, Quarter-, and Eighth- Step Modes
- Adjustable Mixed Decay Ratio or Automatic Decay
- OCP, OVP, and OTP
- Fault Indication Output

APPLICATIONS

- Printers
- General Bipolar Stepper Drivers

ELECTRICAL SPECIFICATION

Parameter	Symbol	Value	Units
Input voltage	V_{IN}	8 to 32	V
External VREF voltage	V_{EXT_REF}	0 to 0.75	V
VCC voltage	V_{CC}	3.3 or 5	V
Decay mode	Automatic decay		

All MPS parts are lead-free, halogen-free, and adhere to the RoHS directive. For MPS green status, please visit the MPS website under Quality Assurance. "MPS", the MPS logo, and "Simple, Easy Solutions" are trademarks of Monolithic Power Systems, Inc. or its subsidiaries.

EV6520-V-00A EVALUATION BOARD



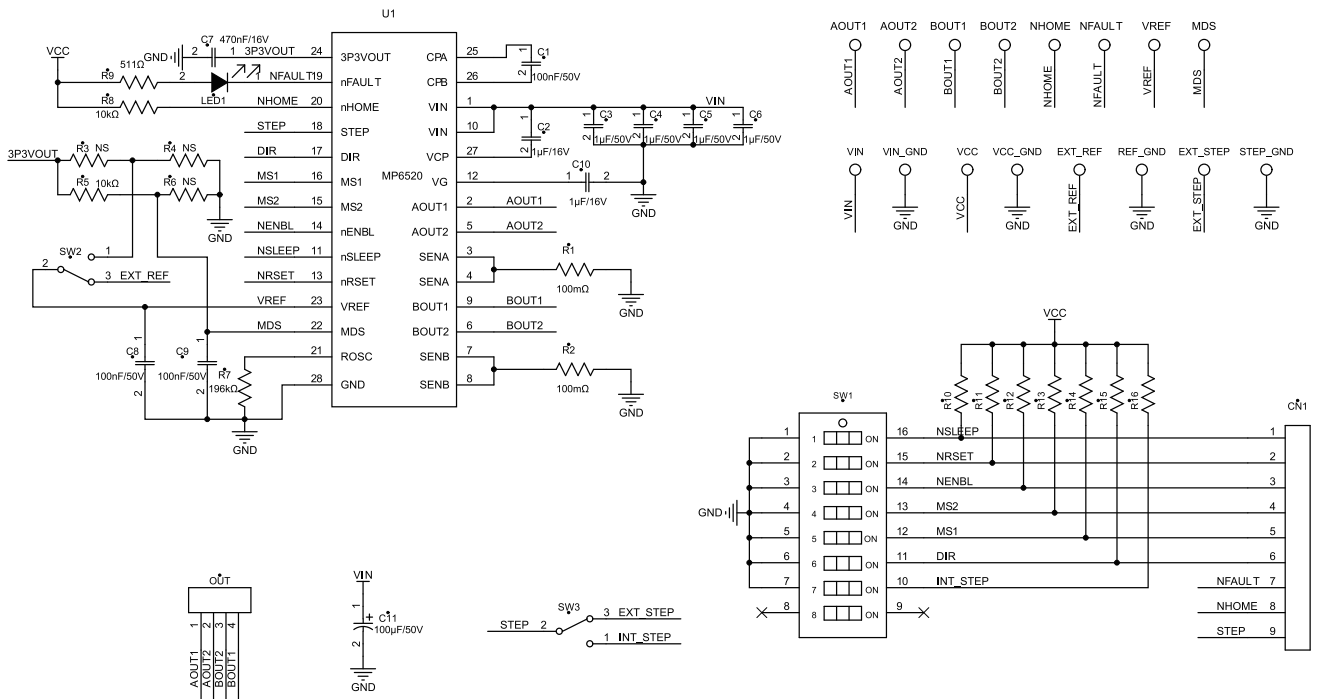
(LxW) (6.35cmx6.35cm)

Board Number	MPS IC Number
EV6520-V-00A	MP6520GV

QUICK START GUIDE

1. Attach the input voltage ($8V \leq V_{IN} \leq 32V$) to the VIN connector, and attach the input ground to the GND connector.
2. Switch SW2 and SW3 to position 3 (top side). This enables the external reference voltage input from the EXT_REF connector, as well as the step signal input from the EXT_STEP connector.
3. Attach the reference voltage ($0V \leq V_{EXT_REF} \leq 0.75V$) to the EXT_REF connector to set the output current.
4. Attach the step signal to the EXT_STEP connector.
5. The input control and logic signal can be set either through the CN1 connector via the external MCU, or through SW1 via manual action. Manual action requires an external 3.3V or 5V VCC voltage for a pull-up power supply.

EVALUATION BOARD SCHEMATIC



EV6520-V-00A BILL OF MATERIALS

Qty	Ref	Value	Description	Package	Manufacturer	Part Number
3	C1, C8, C9	100nF/50V	Ceramic capacitor, 50V, X7R	0603	muRata	GRM188R71H104KA93D
2	C2, C10	1μF/16V	Ceramic capacitor, 16V, X7R	0603	muRata	GRM188R71C105KA12D
4	C3, C4, C5, C6	1μF/50V	Ceramic capacitor, 50V, X7R	0805	muRata	GRM21BR71H105KA12L
1	C7	470nF/16V	Ceramic capacitor, 16V, X7R	0603	LION	0603B474K160T
1	C11	100μF/50V	Electrolytic capacitor, 50V	DIP	Rubycon	50YXF100MEFC
2	R1, R2	100mΩ	Sense resistor, 1%	2512	CYNTEC	RL3264-9-R100-FN
3	R3, R4, R6	NS				
9	R5, R8, R10, R11, R12, R13, R14, R15, R16	10kΩ	Film resistor, 1%	0603	Yageo	RC0603FR-0710KL
1	R7	196kΩ	Film resistor, 1%	0603	Yageo	RC0603FR-07196KL
1	R9	511Ω	Film resistor, 1%	0603	Yageo	RC0603FR-07511RL
1	LED1	Red	LED	0805	Bai Hong	2012SURC-11
1	SW1	8-bits	Button	SMD	Wurth	418121270808
2	SW2, SW3	SPDT	Button	DIP	Electrical Market	SS-12D01EG4
2	VIN, GND	Φ=2mm	Connector	DIP	Electrical Market	Φ=2mm Needle
10	VCC, VCC_GND, EXT_REF, REF_GND, EXT_STEP, STEP_GND, AOUT1, AOUT2, BOUT1, BOUT2	Φ=1mm	Connector	DIP	Electrical Market	Φ=1mm Needle
4	NHOME, NFAULT, VREF, MDS	Yellow	Test point	DIP	Electrical Market	Test point
1	CN1	9-bits/ 2.54mm	Connector	DIP	Electrical Market	61304011121
1	OUT	4-bits/ 2.54mm	Connector	DIP	Electrical Market	61304011121
1	U1	32V, 1.5A	Stepper motor driver	QFN-28 (4mmx5mm)	MPS	MP6520GV