

### DESCRIPTION

The EV6610-J-00A is an evaluation board for the MP6610GJ, a half-bridge power driver.

The EV6610-J-00A operates from a supply voltage of up to 45V, and can deliver load currents up to 3A. The input control signals for the MP6610 are either generated on the board, or from an external controller through the board's connector (P1).

### ELECTRICAL SPECIFICATIONS

Parameter	Symbol	Value	Units
Input voltage	$V_{IN}$	4 to 45	V
Maximum output current	$I_{OUT-L}$	3	A

### FEATURES

- Wide 4V to 45V Input Voltage Range
- Up to 3A Output Current
- Internal Current Sense
- 2.5V, 3.3V, or 5V Compatible Logic Supply
- Over-Current Protection (OCP), Over-Voltage Protection (OVP), Over-Temperature Protection (OTP)
- Fault Indication Output

### APPLICATIONS

- Solenoid Drivers
- Brushed DC Motors
- Relay Drivers

All MPS parts are lead-free, halogen-free, and adhere to the RoHS directive. For MPS green status, please visit the MPS website under Quality Assurance. "MPS", the MPS logo, and "Simple, Easy Solutions" are trademarks of Monolithic Power Systems, Inc. or its subsidiaries.

## EV6610-J-00A EVALUATION BOARD



(LxW) 6.35cmx6.35cm

Board Number	MPS IC Number
EV6610-J-00A	MP6610GJ

## QUICK START GUIDE

1. Attach the input voltage ( $4V \leq V_{IN} \leq 45V$ ) to the VIN connector, and attach the input ground to the GND connector.
2. Attach the VCC voltage (2.5V, 3.3V, or 5V) to the VCC connector, and attach the input ground to the GND connector.
3. Input control signals can be generated on the board through the placement of short jumpers (JP1 and JP2), or by an external controller connected through the P1 connector. If using an external controller, remove the short jumpers (JP1 and JP2). Table 1 shows the input logic truth table.

**Table 1: Logic Truth Table**

EN	IN	OUT
0	0	Z
0	1	Z
1	0	L
1	1	H

4. The output current limit threshold is reached when the ISET pin reaches 1.5V. The ISET pin voltage scaling is set by the trimming potentiometer (RV1). For example, with a 10k $\Omega$  resistor connected from ISET to ground, the ISET pin voltage is 1V for every 1A of output current. This means that when the current reaches 1.5A, the ISET pin voltage reaches 1.5V, and a current trip occurs.

### EVALUATION BOARD SCHEMATIC

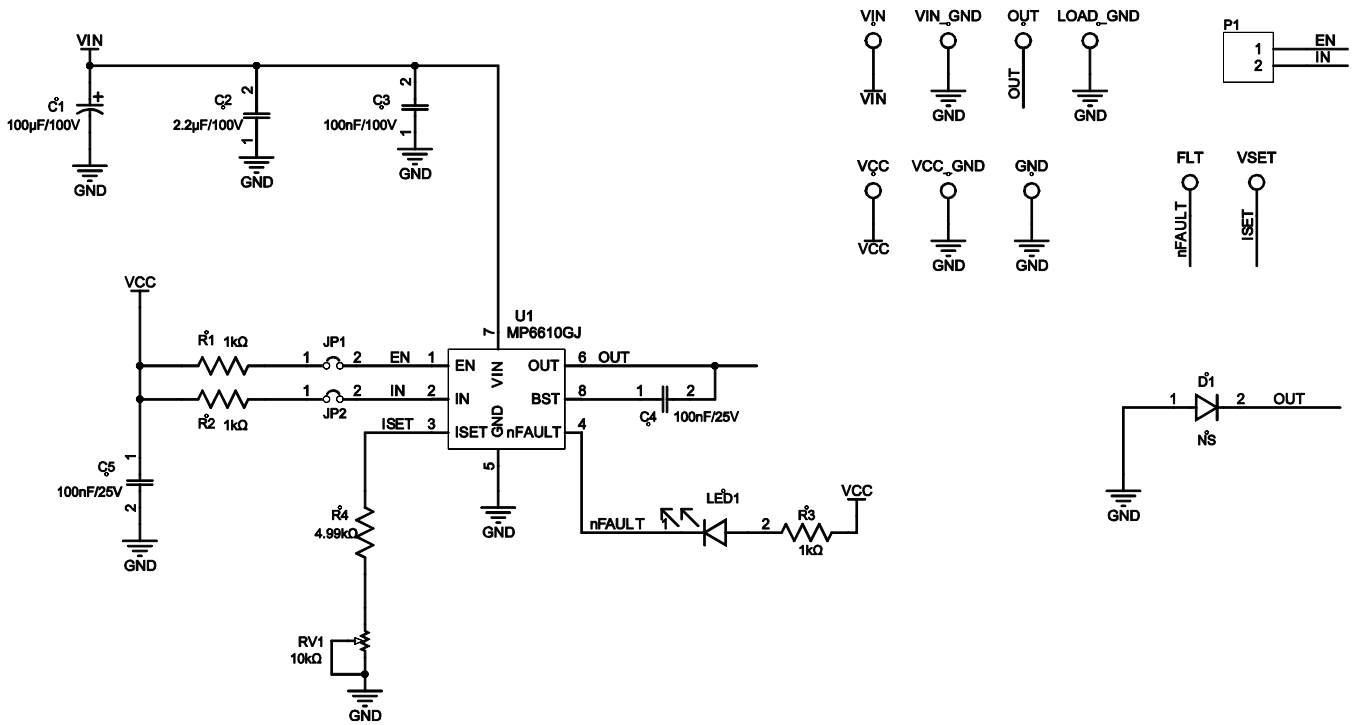


Figure 1: Evaluation Board Schematic

**EV6610-J-00A BILL OF MATERIALS**

Qty	Ref	Value	Description	Package	Manufacturer	Manufacturer P/N
1	C1	100 $\mu$ F	100V electrolytic capacitor	DIP	Jianghai	CD263-100V100
1	C2	2.2 $\mu$ F	100V ceramic capacitor, X7R	1210	Murata	GRM32ER72A225KA35L
1	C3	100nF	100V ceramic capacitor, X7R	0603	Murata	GRM188R72A104KA35D
2	C4, C5	100nF	25V ceramic capacitor, X7R	0603	Murata	GRM188R71E104KA01D
3	R1, R2, R3	1k $\Omega$	Film resistor, 1%	0603	Yageo	RC0603FR-071KL
1	R4	4.99k $\Omega$	Film resistor, 1%	0603	Yageo	RC0603FR-074K99L
1	RV1	10k $\Omega$	Square trimming potentiometer	DIP	Bourns	3266W-1-103F
1	LED1	Red	LED	0805	Baihong	BL-HUE35A-AV-TRB
1	D1	NS				
3	JP1, JP2, P1	2 bits/ 2.54mm	Connector	DIP	Würth Electronics	61304011121
2	JP1, JP2	2.54mm	Short jumper	DIP	Würth Electronics	60900213421
2	FLT, VSET	Yellow	Test point	DIP	Any	
4	VIN, VIN_GND, OUT, LOAD_GND	$\Phi = 2\text{mm}$	Connector, 2mm needle	DIP	Any	
3	VCC, VCC_GND, GND	$\Phi = 1\text{mm}$	Connector, 1mm needle	DIP	Any	
1	U1	45V, 3A	Half-bridge power driver	TSOT23-8	MPS	MPQ6610GJ

PCB LAYOUT

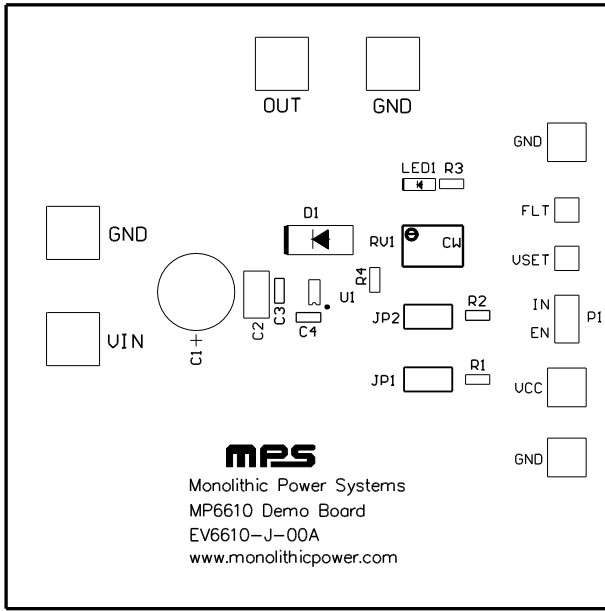


Figure 2: Top Silk Layer

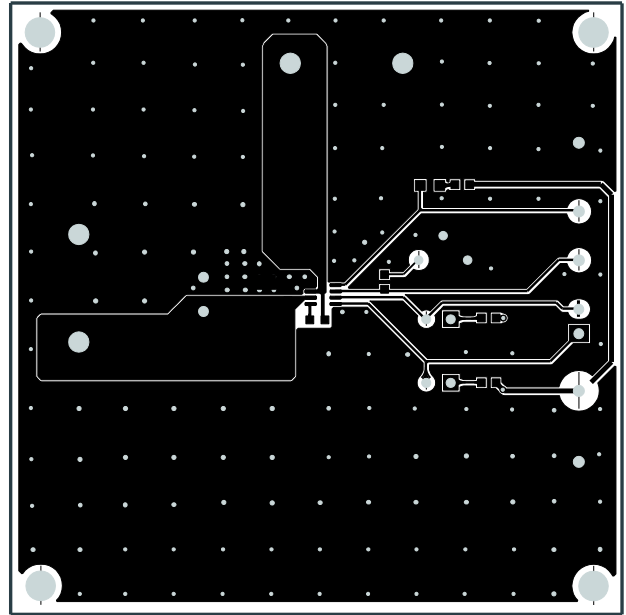


Figure 3: Top Layer

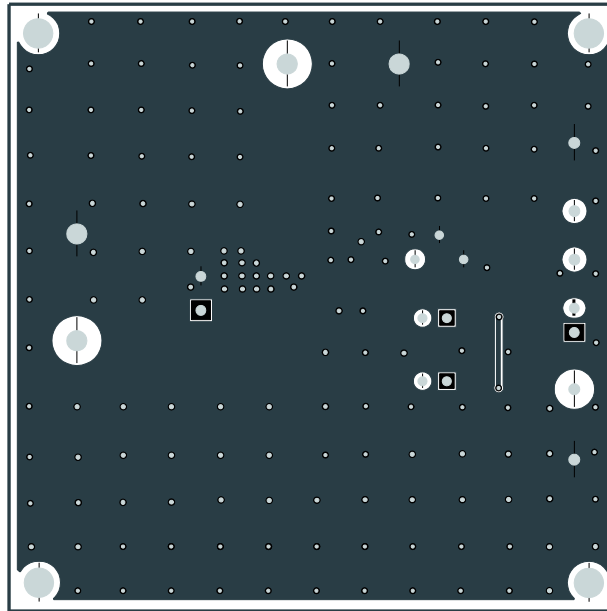


Figure 4: Bottom Layer